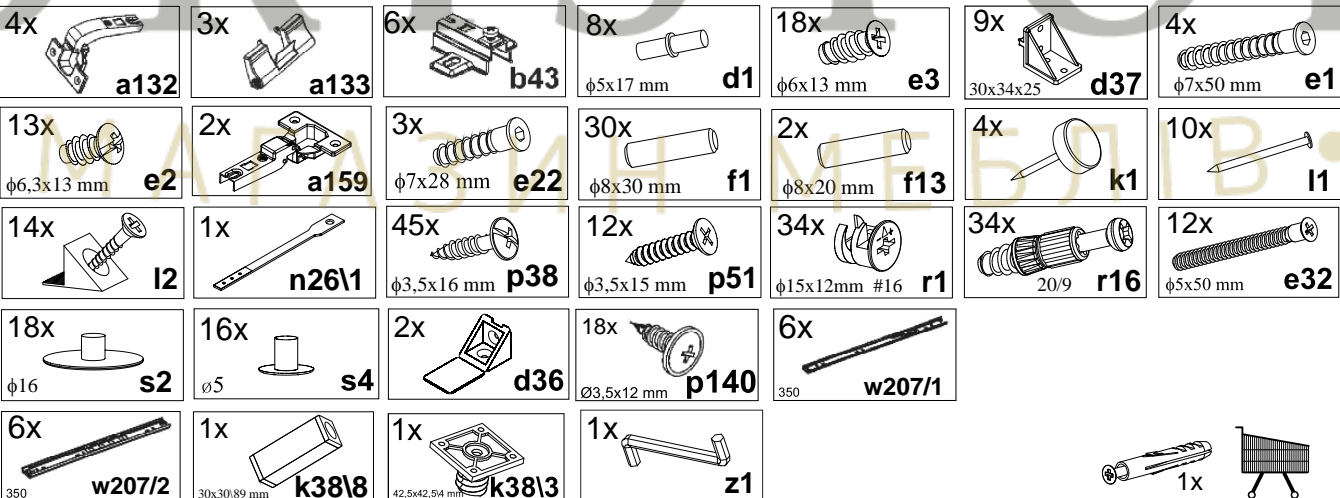
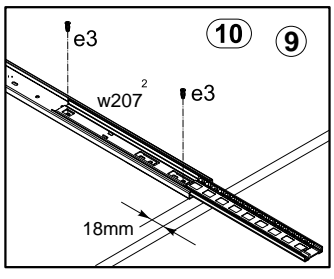
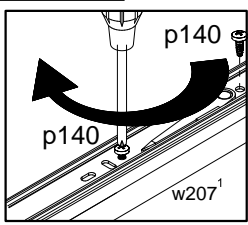
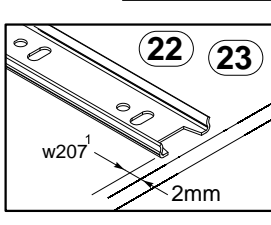
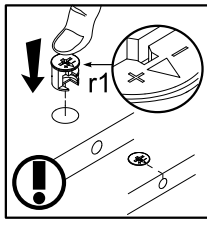
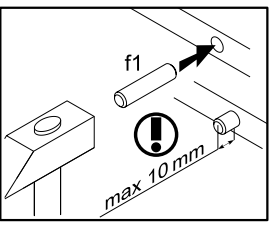
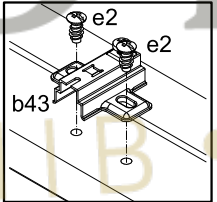
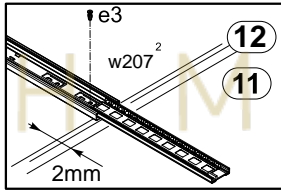
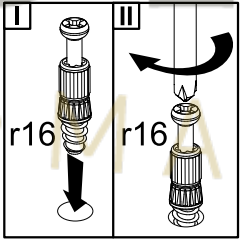
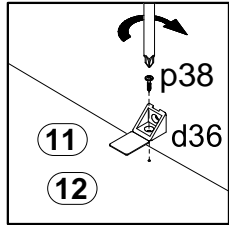
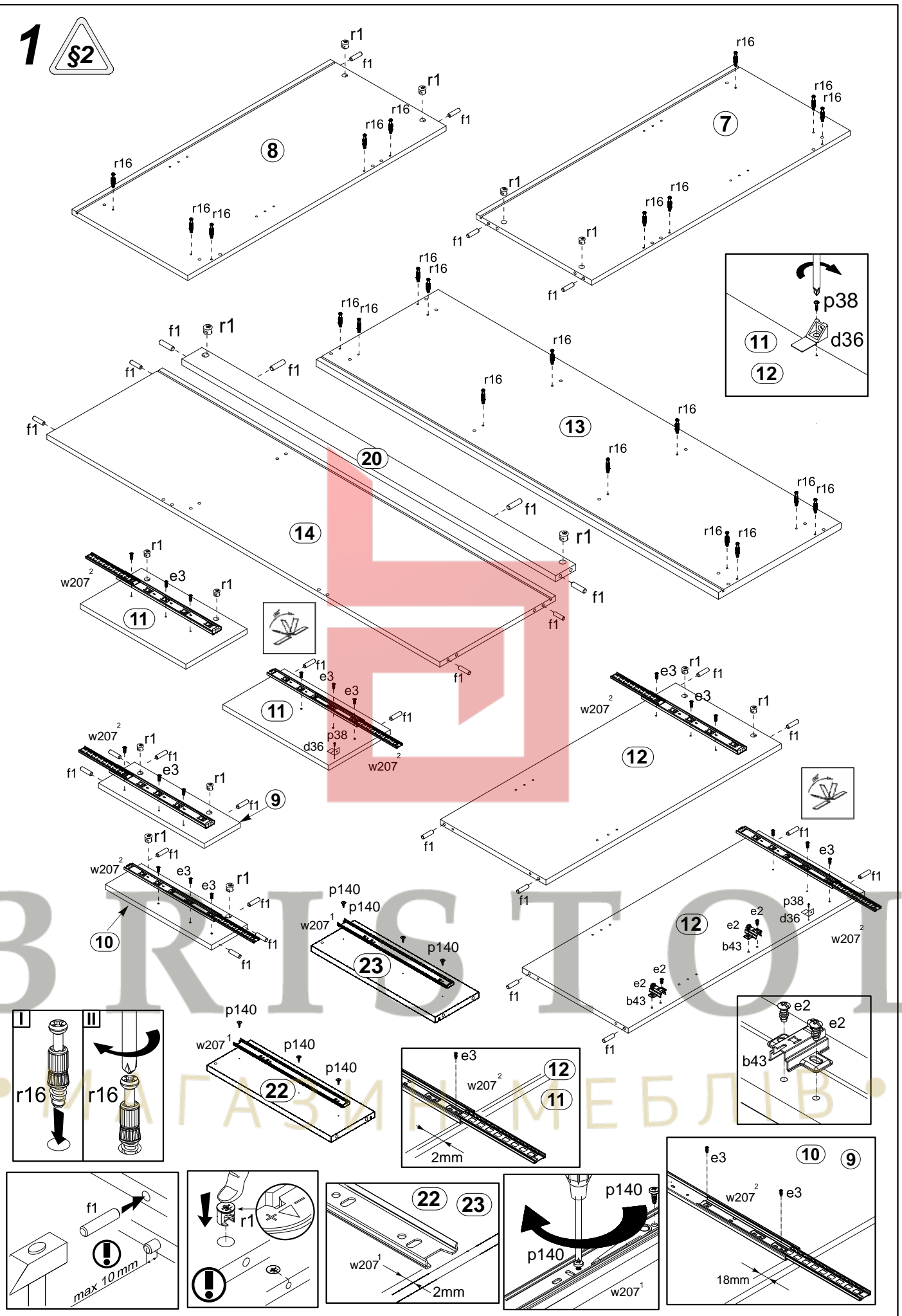


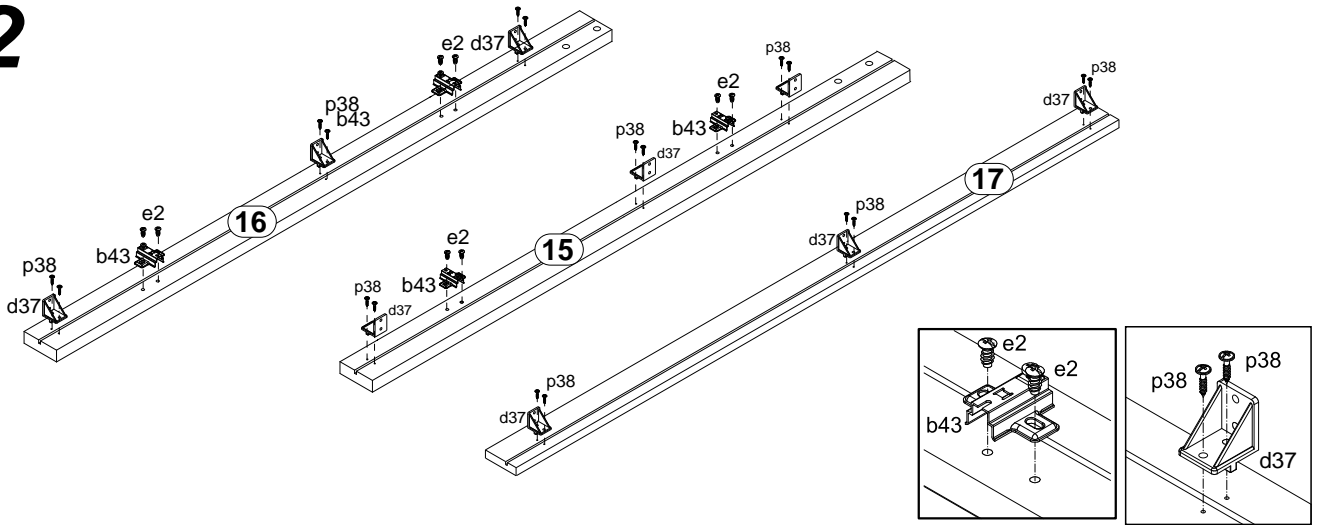
A	B	C	D	11	S404-1005	228	392	1/3	22	S404-5102	366	120	1/3	
1	S404-0001	446	205	3/3	12	S404-1006	876	392	1/3	23	S404-5103	366	120	1/3
2	S404-0002	446	205	3/3	13	S404-2002	1491	454	2/3	24	S404-5104	377	120	1/3
3	S404-0030	446	180	3/3	14	S404-3003	1457	428	2/3	25	S404-3004	945	382	2/3
4	S404-0004	446	543	3/3	15	S404-5001	958	70	1/3	26	S404-3005	495	382	2/3
5	S404-0003	446	543	3/3	16	S404-5002	958	70	1/3	27	S404-9001	399	365	2/3
6	S404-0006	446	518	3/3	17	S404-5005	1349	70	2/3	28	S404-9002	392	365	2/3
7	S404-1001	958	428	1/3	18	S404-5006	1349	70	2/3	29	S404-9502	443	1467	2/3
8	S404-1002	958	428	1/3	19	S404-4003	1457	160	2/3	30	LH-1456	1456	14	2/3
9	S404-1003	115	408	1/3	20	S404-4004	1457	60	2/3					
10	S404-1004	115	408	1/3	21	S404-5101	384	120	1/3					



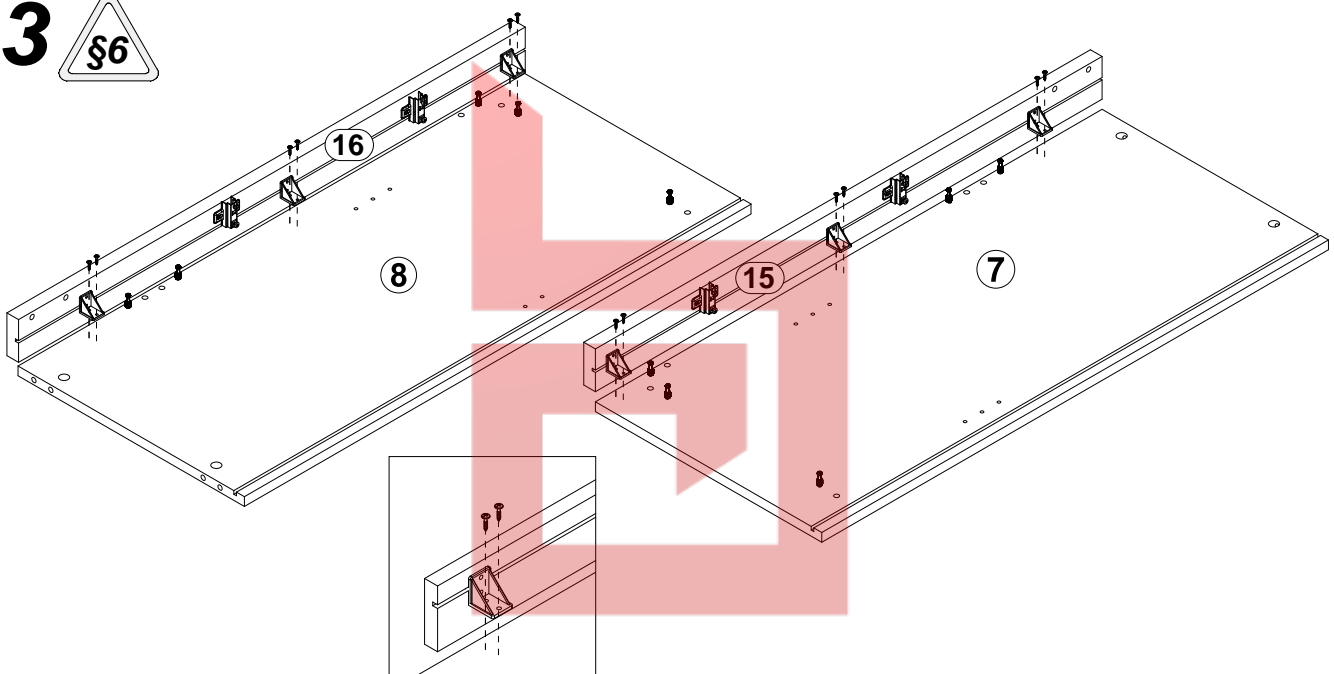
1



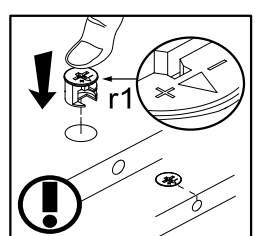
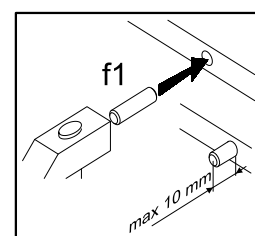
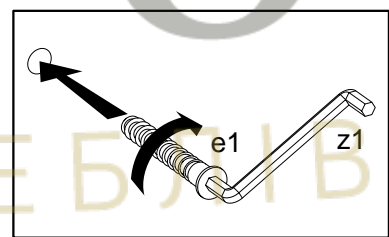
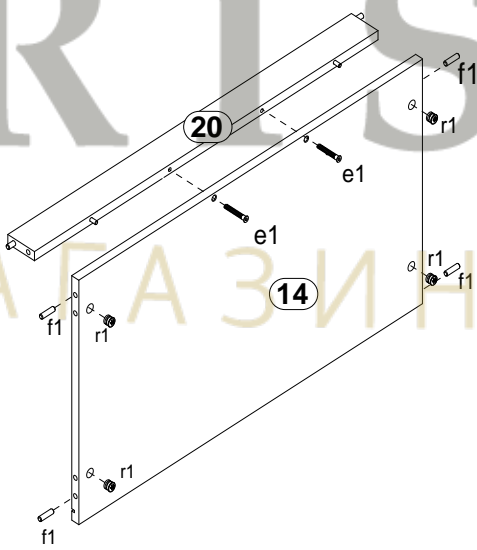
2



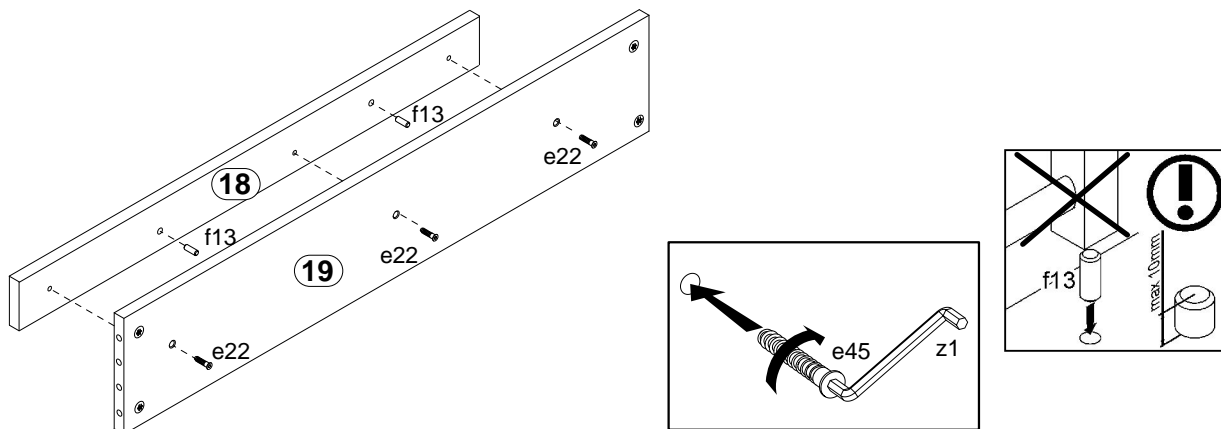
3



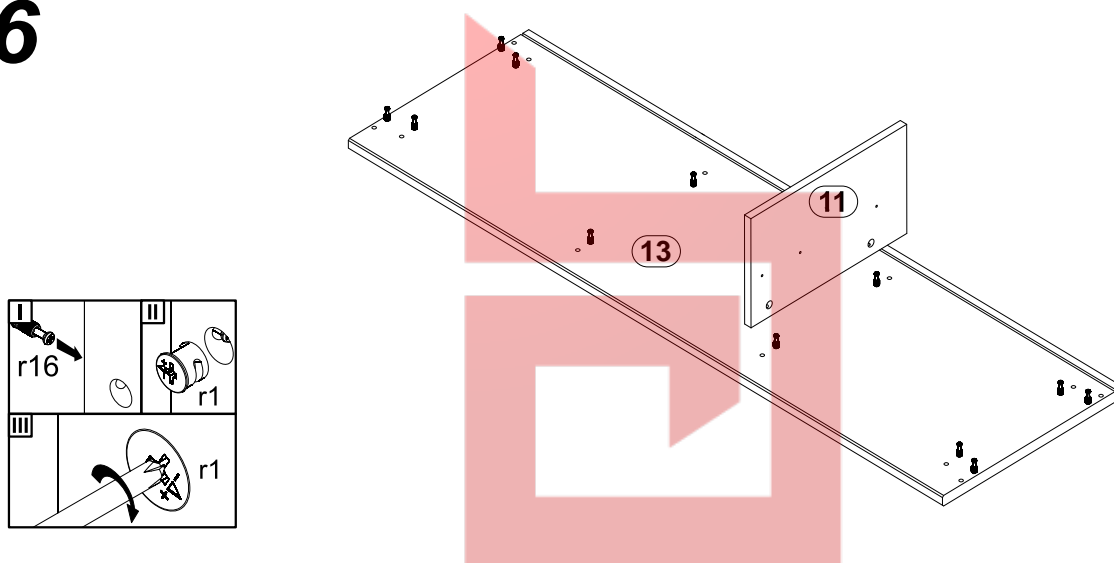
4



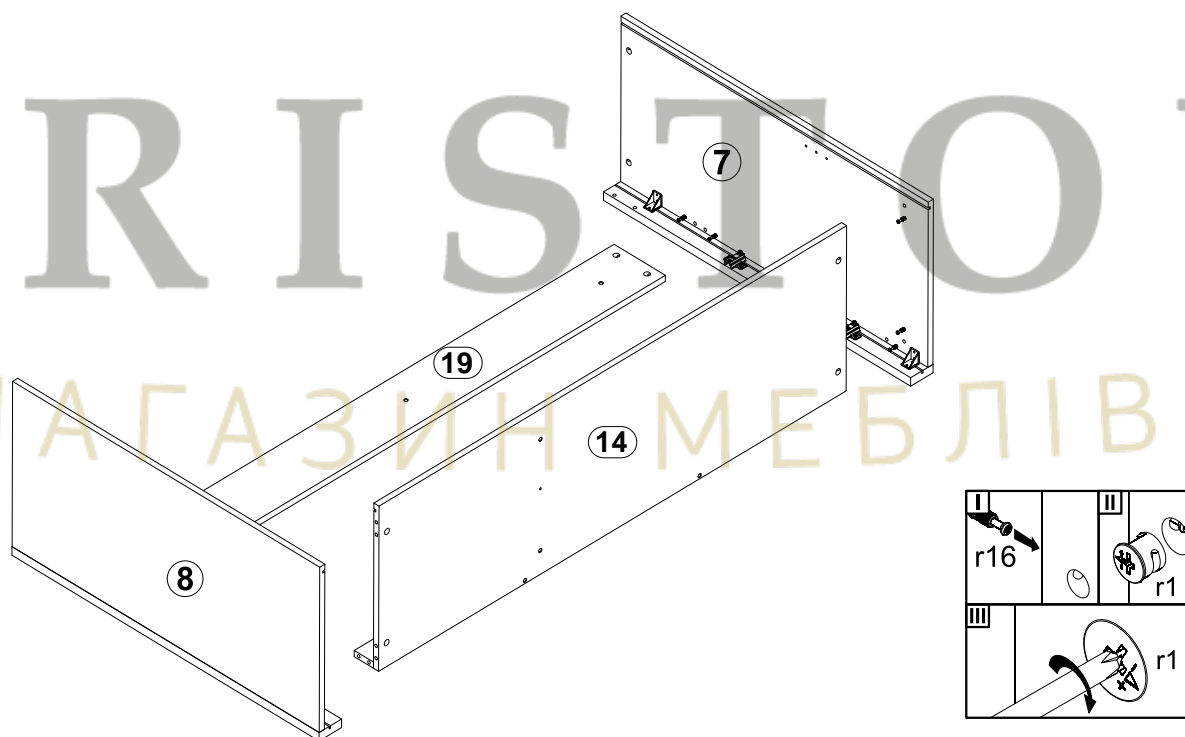
5



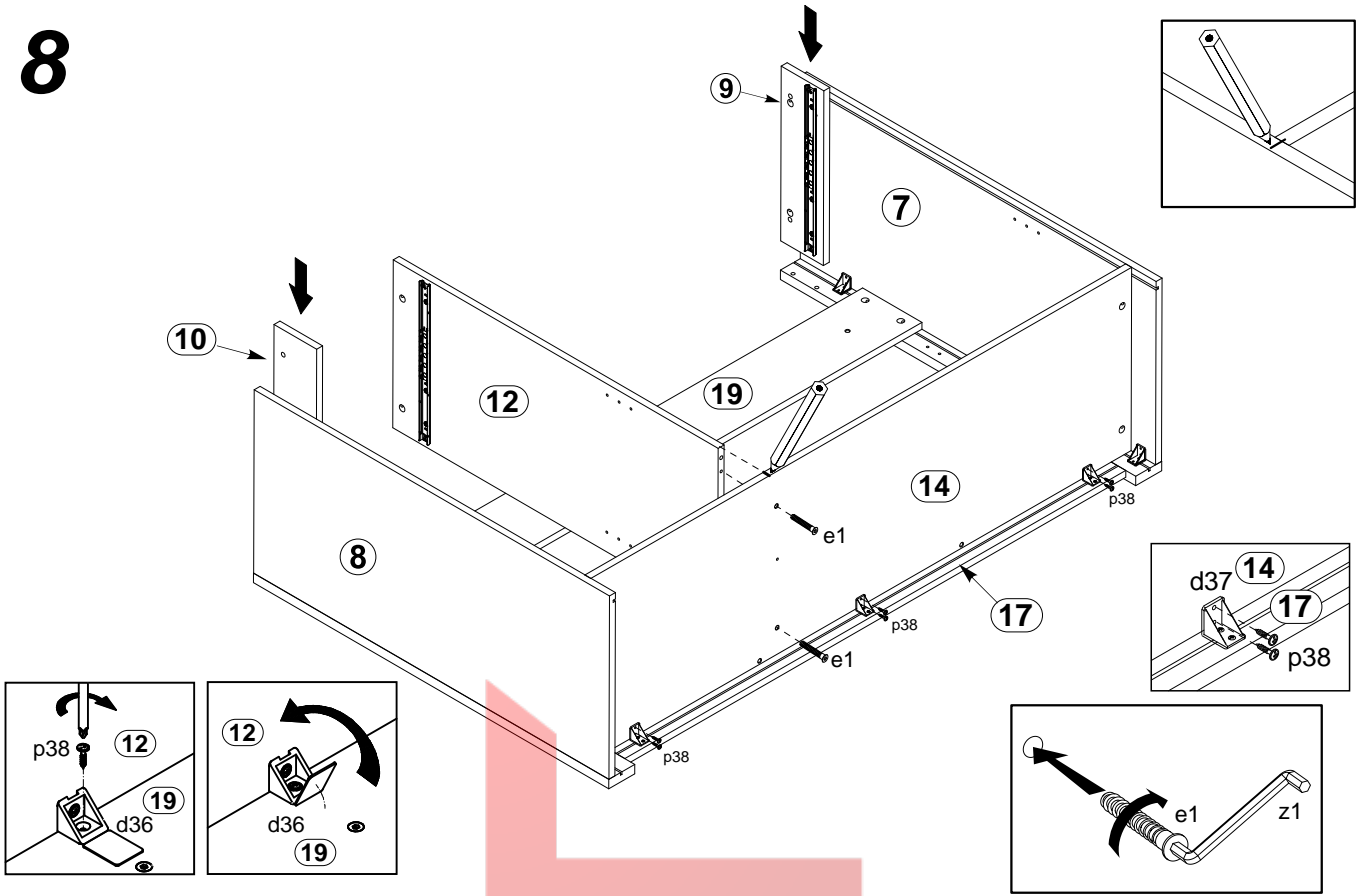
6



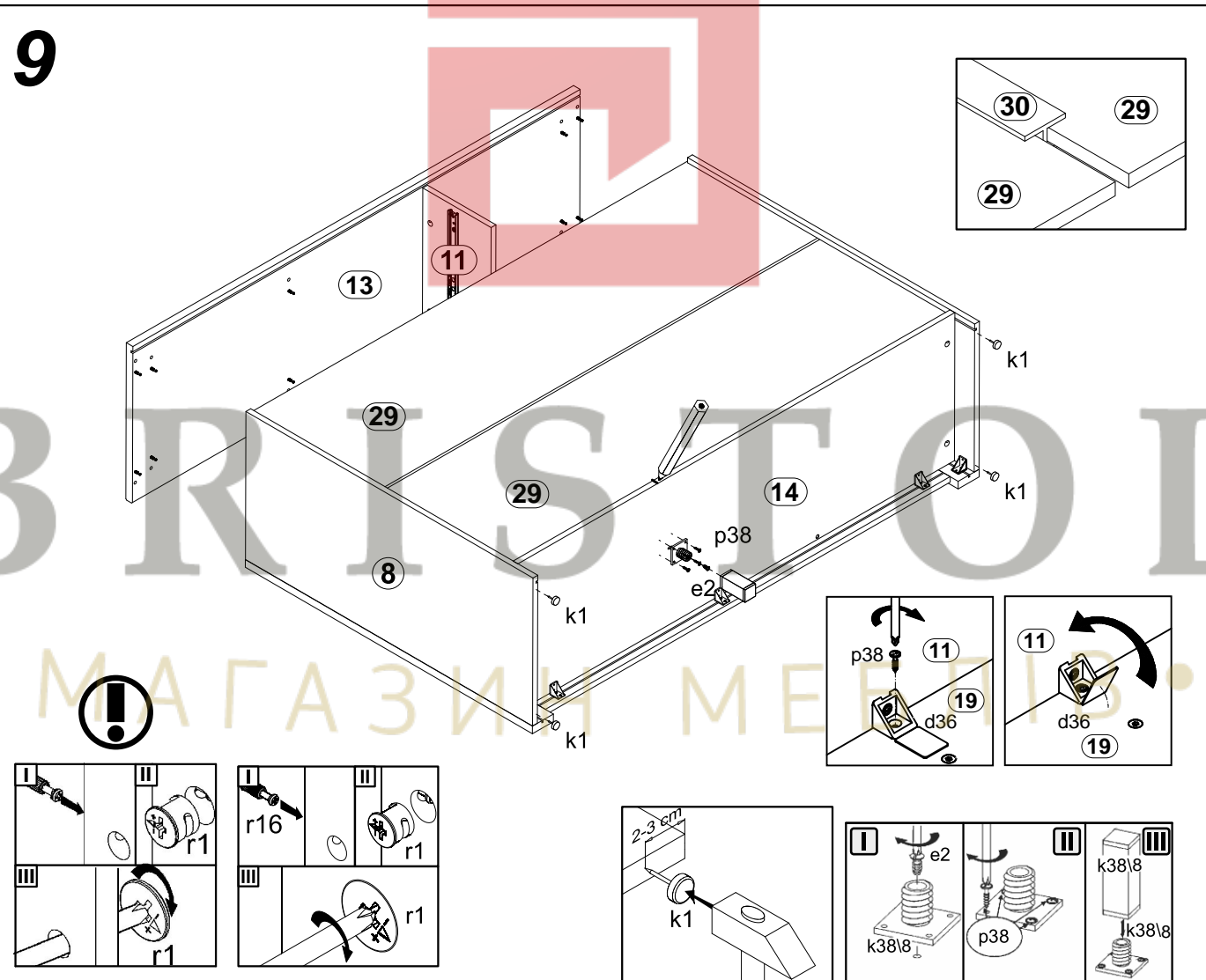
7



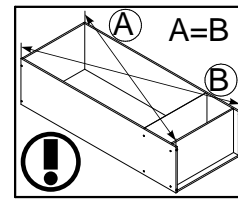
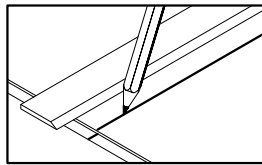
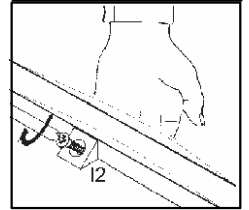
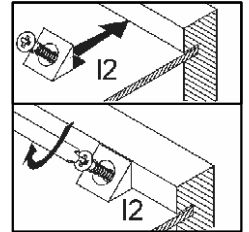
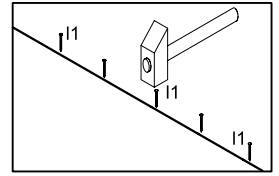
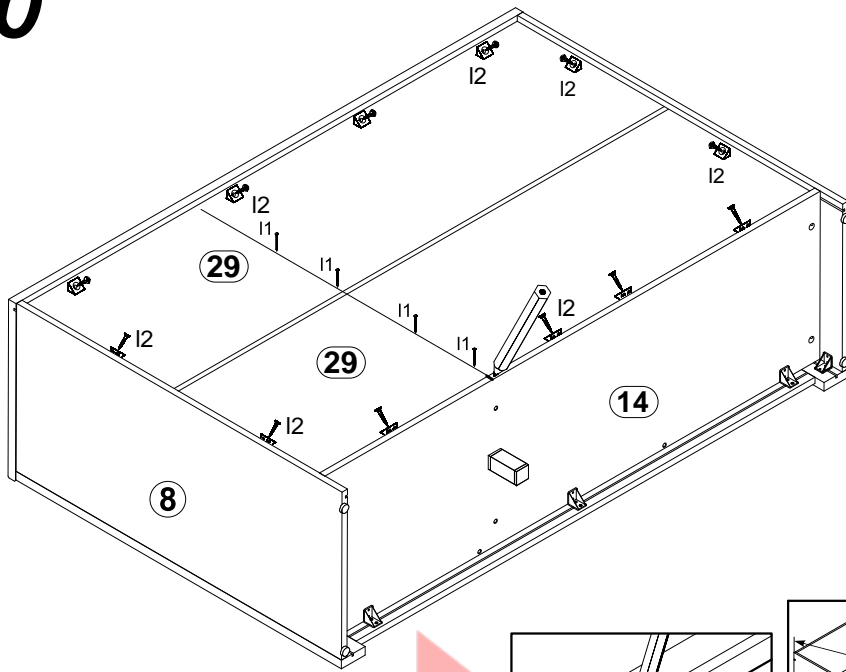
8



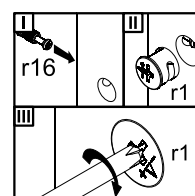
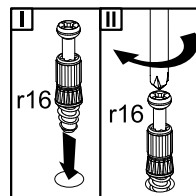
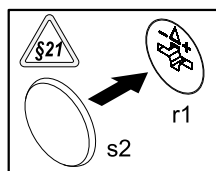
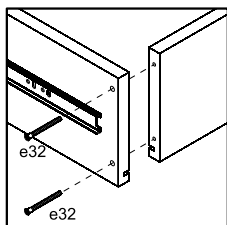
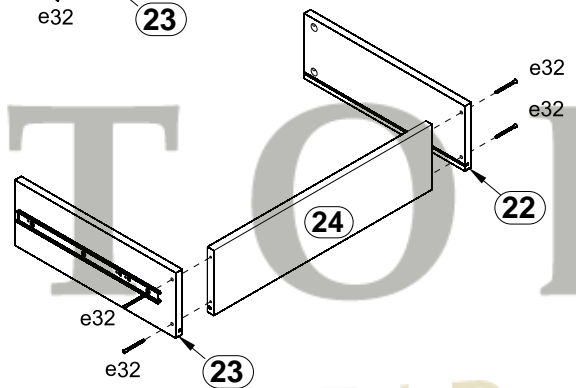
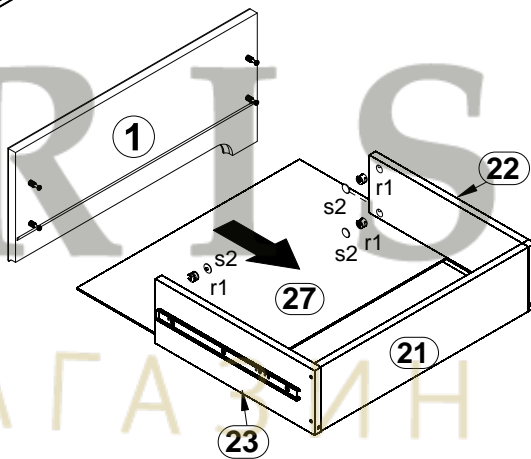
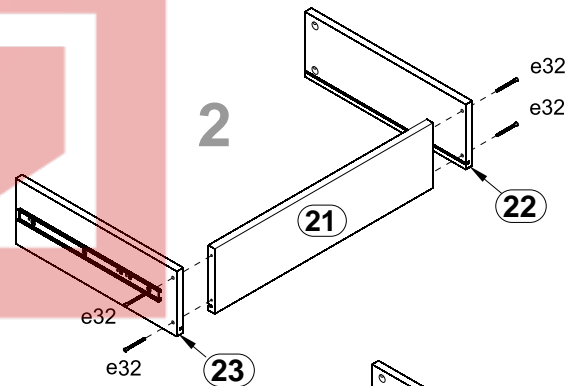
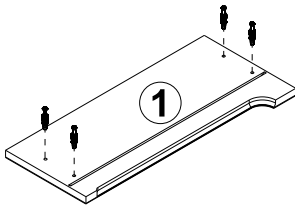
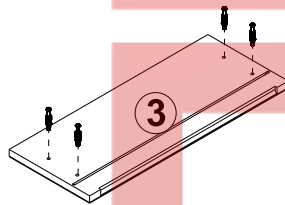
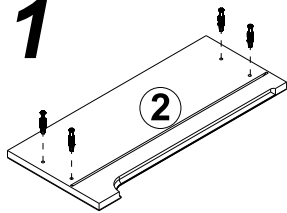
9

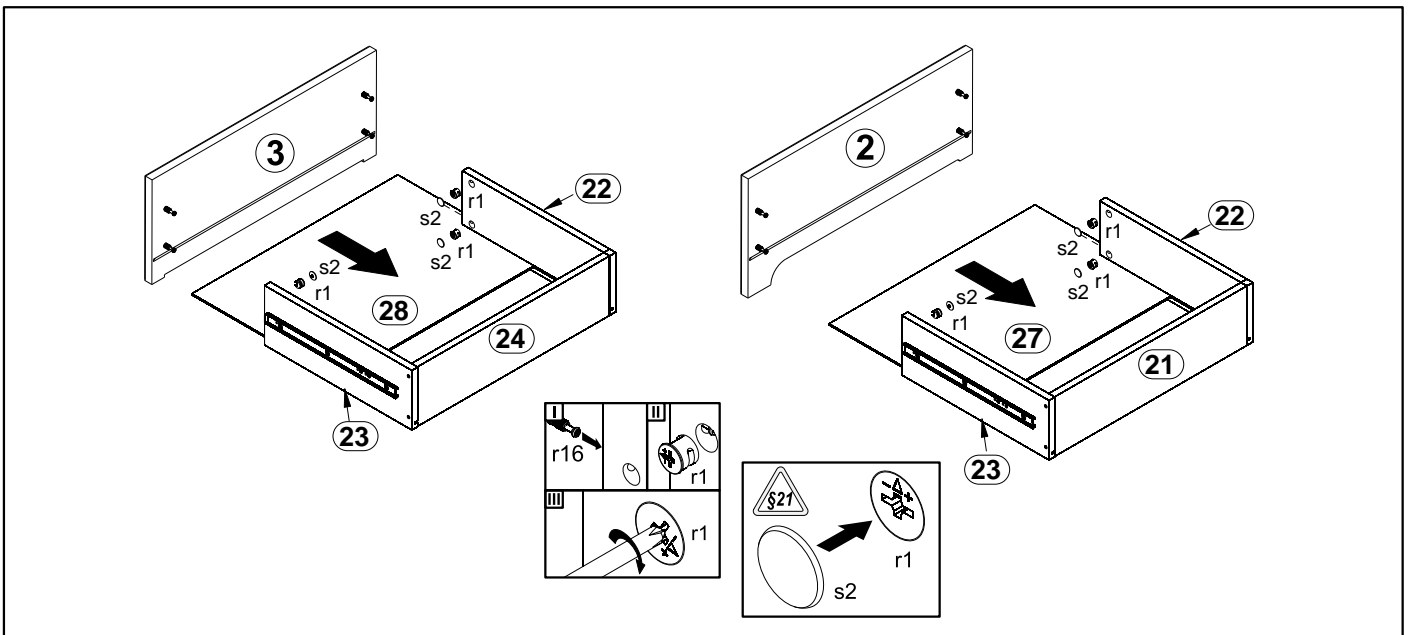


10



11





12

