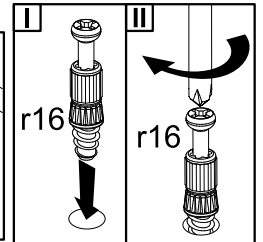
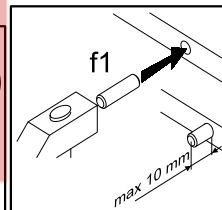
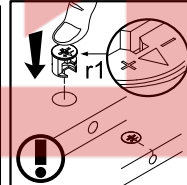
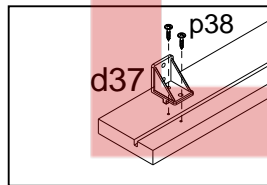
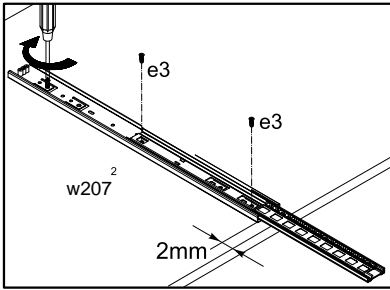
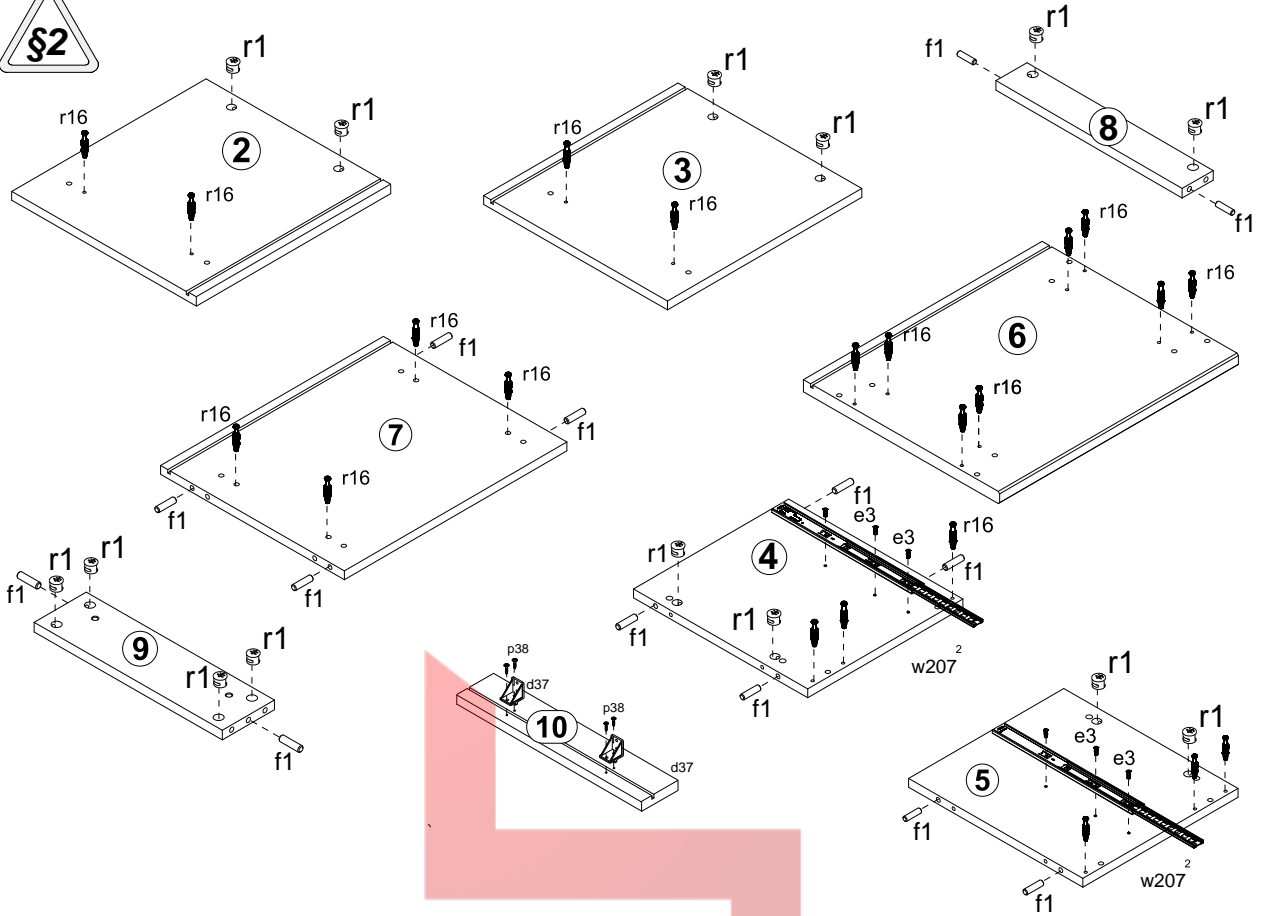


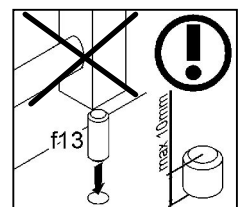
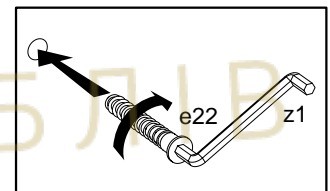
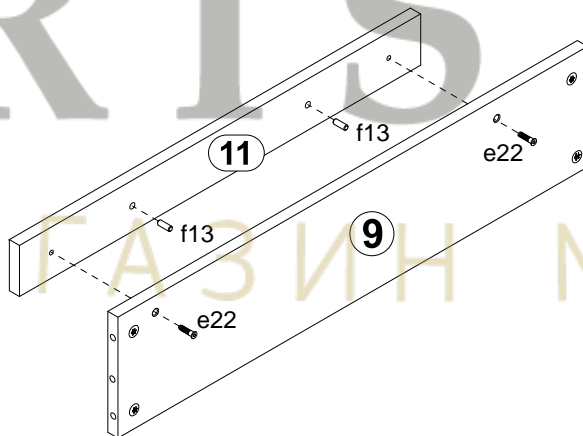
A	B	C		D					
1	S404-0038	355	205	2/2	10	S404-5007	357	70	1/2
2	S404-1027	407	384	1/2	11	S404-5008	357	70	1/2
3	S404-1028	407	384	1/2	12	S404-5020	407	70	1/2
4	S404-1029	325	364	1/2	13	S404-5021	407	70	1/2
5	S404-1030	325	364	1/2	14	S404-5107	303	120	1/2
6	S404-2008	500	410	1/2	15	S404-5108	350	120	1/2
7	S404-3016	466	384	1/2	16	S404-5109	350	120	1/2
8	S404-4013	360	60	1/2	17	S404-9004	318	349	1/2
9	S404-4014	360	110	1/2	18	S404-9505	335	476	1/2

20x φ8x30 mm f1	2x φ8x20 mm f13	6x 30x34x25 d37	4x φ7x50 mm e1	6x φ6x13 mm e3	4x φ5x50 mm e32	2x φ7 28mm e22
22x φ15x12mm #16 r1	22x 20/9 r16	4x k1	4x φ16 s2	24x φ3,5x16 mm p38	4x l2	10x l1
6x φ3,5x12 mm p140	2x 350 w207/1	2x 350 w207/2	1x z1			

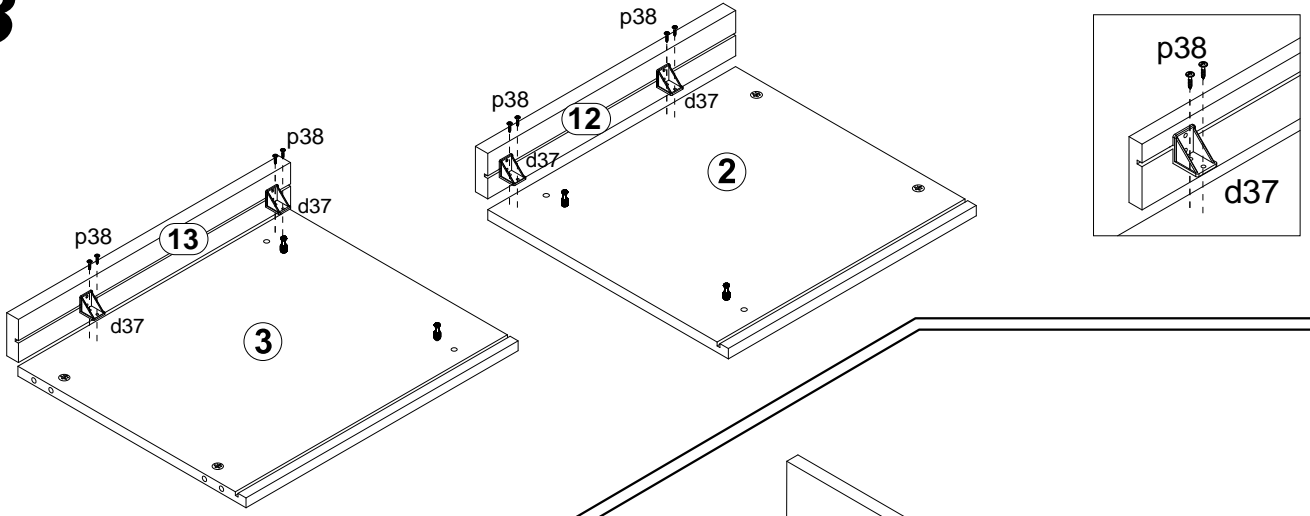
1



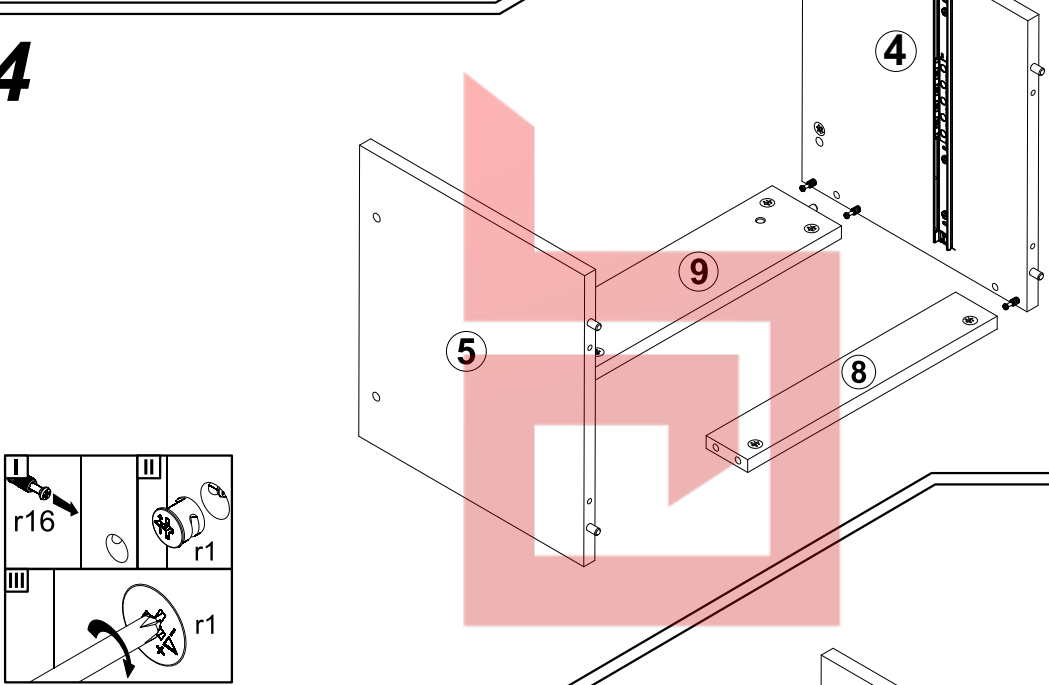
2



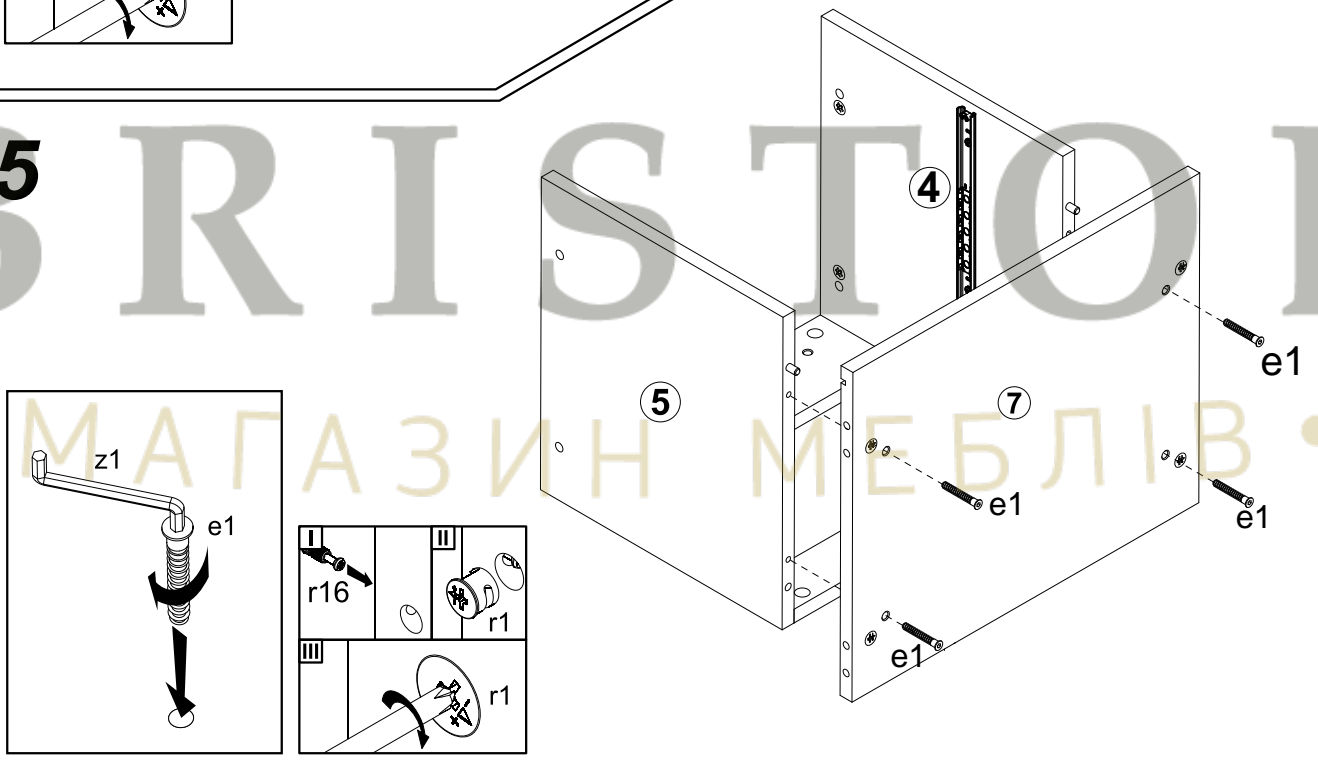
3



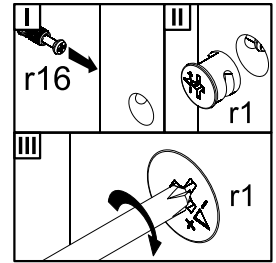
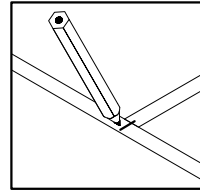
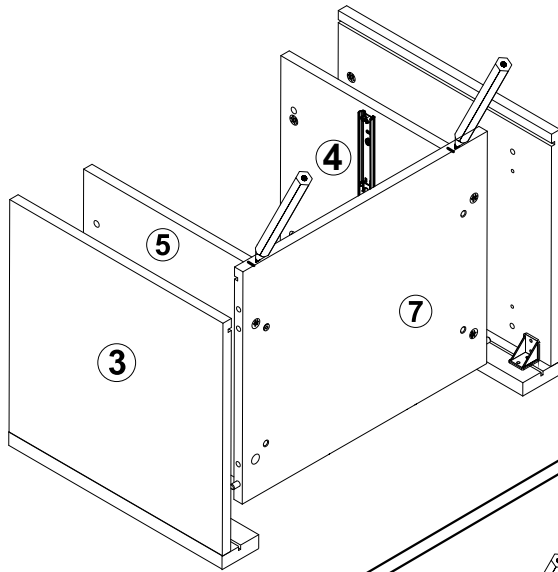
4



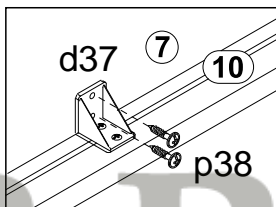
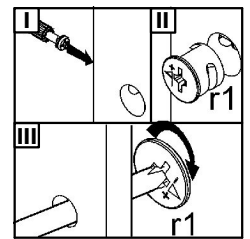
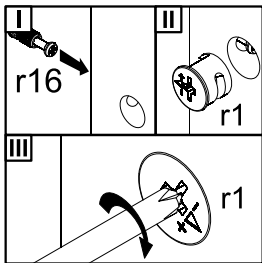
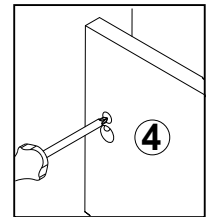
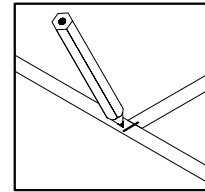
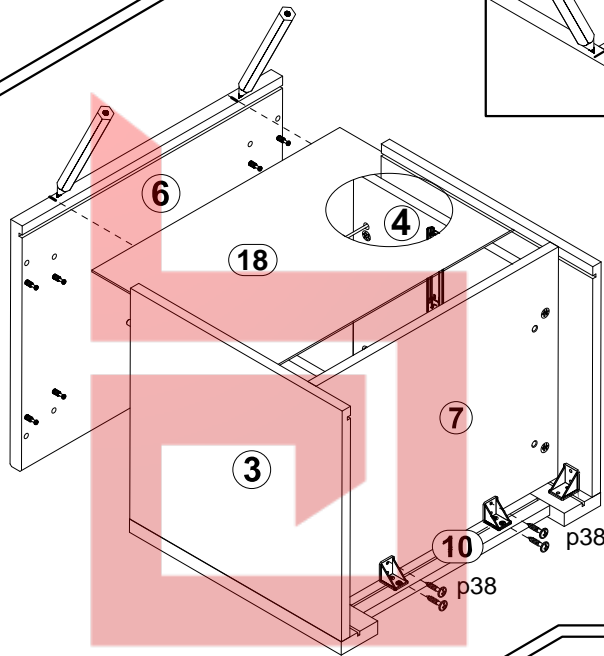
5



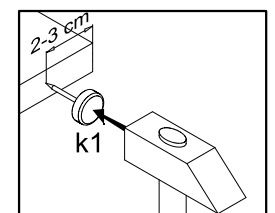
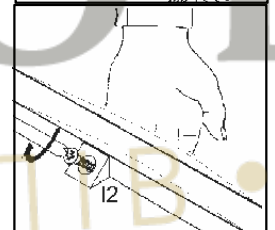
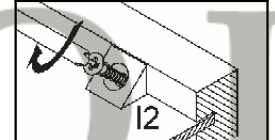
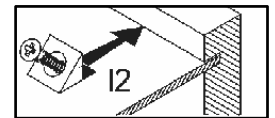
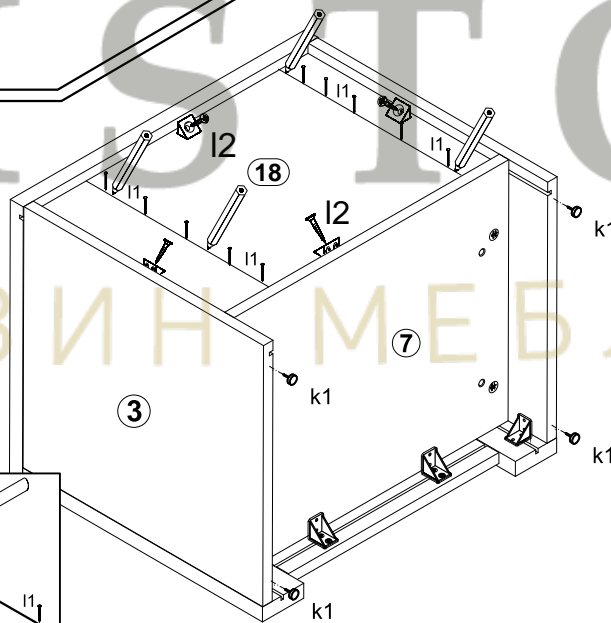
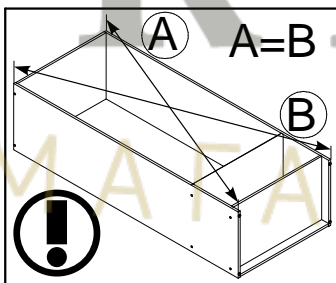
6



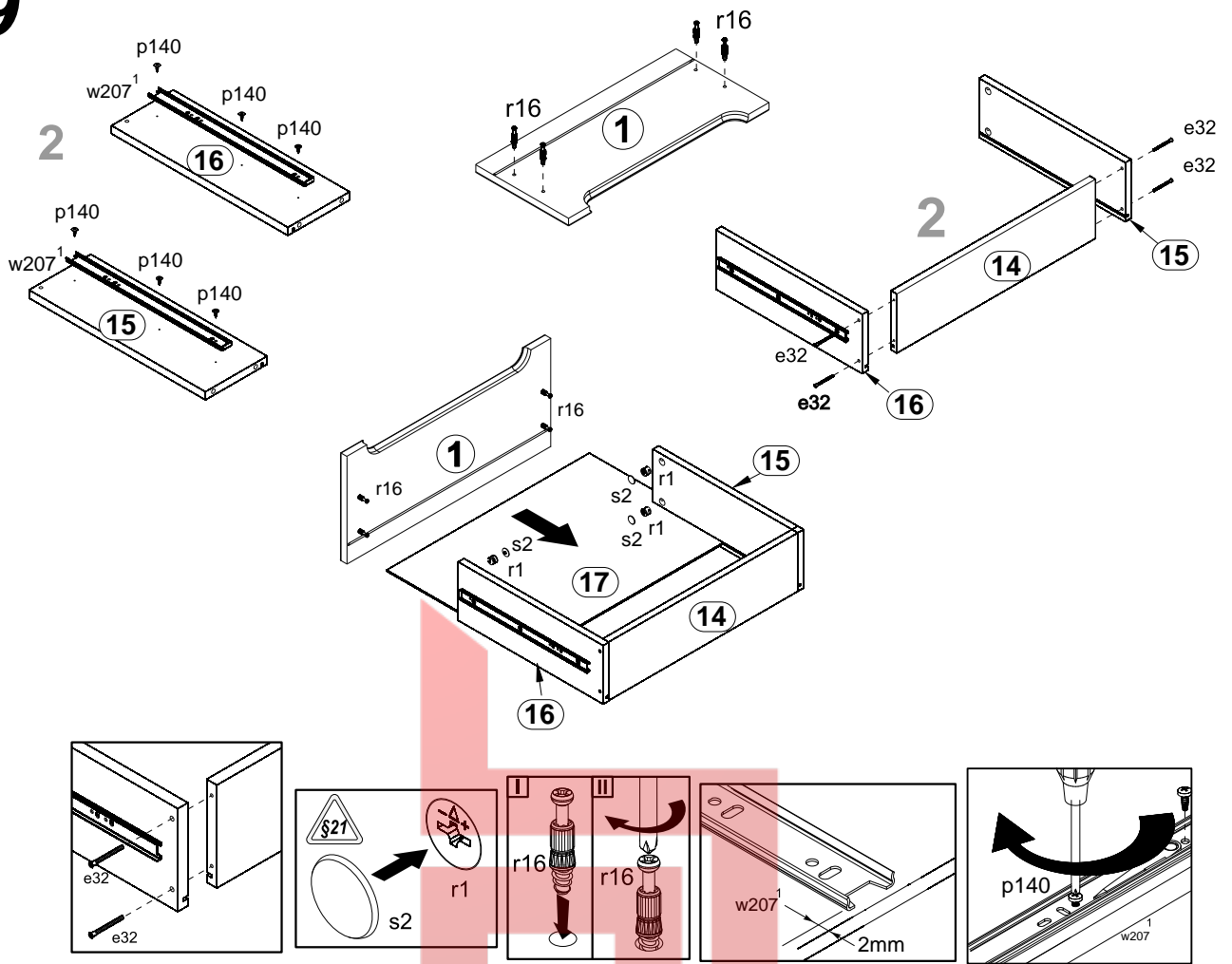
7



8



9



10

