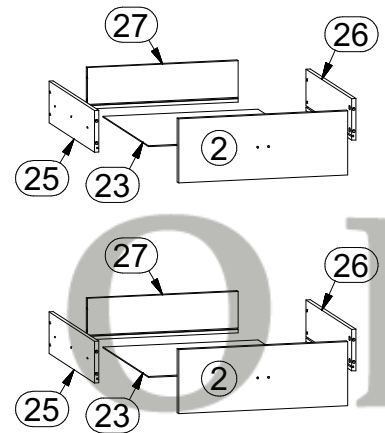
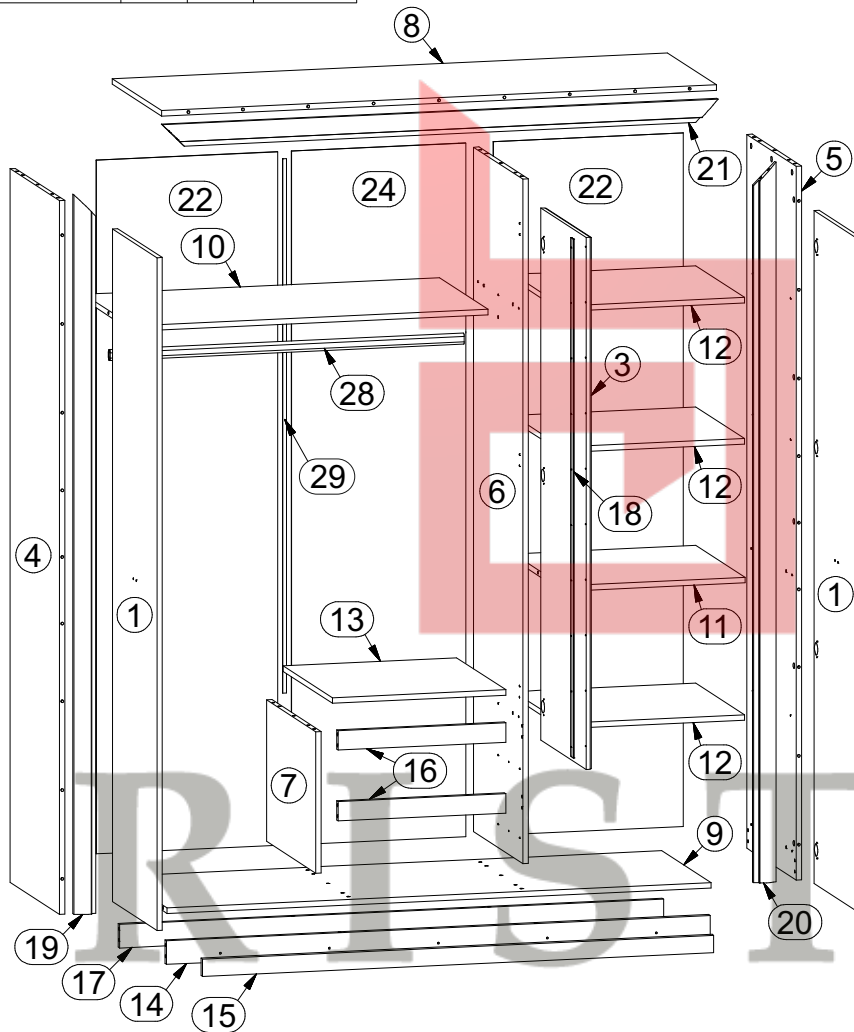
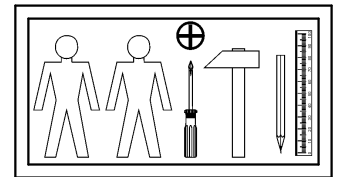
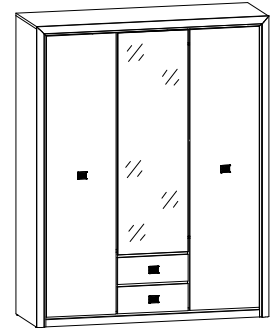


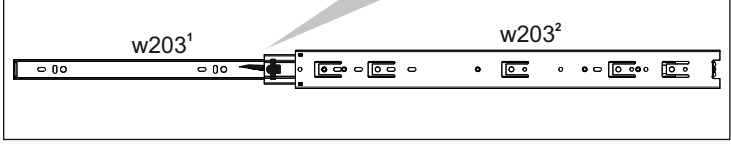
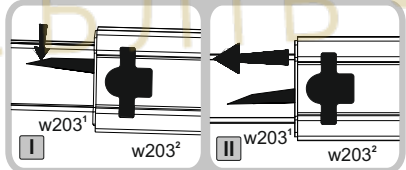
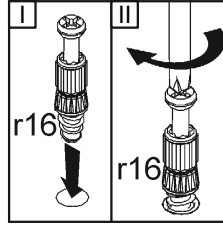
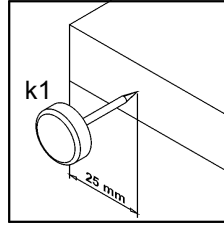
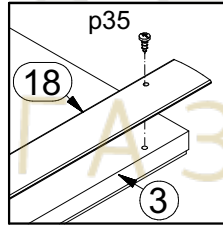
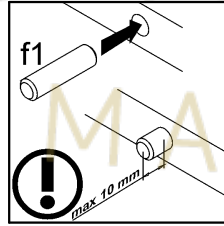
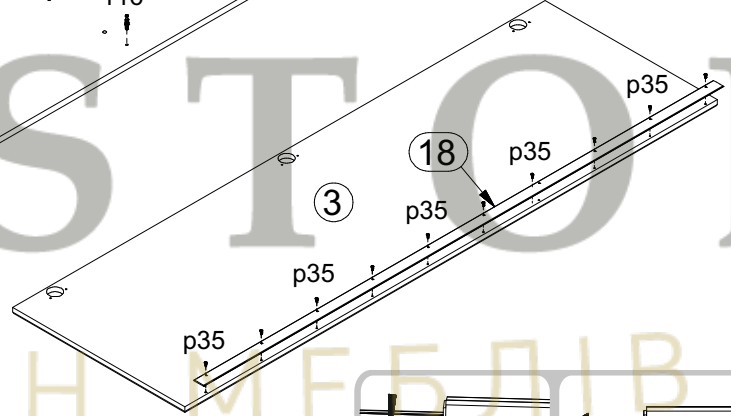
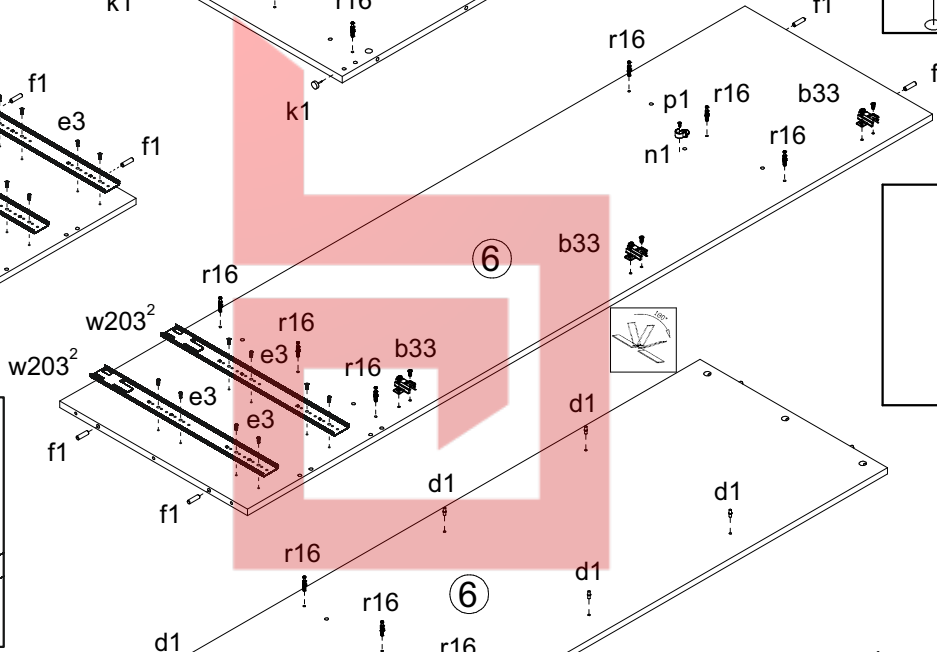
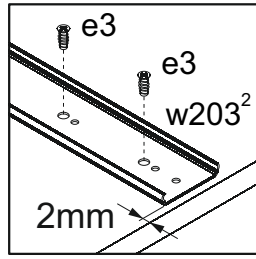
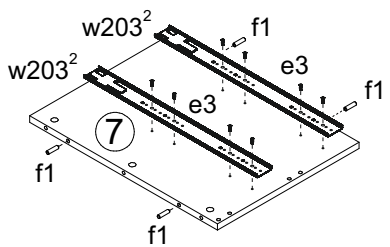
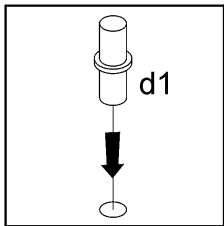
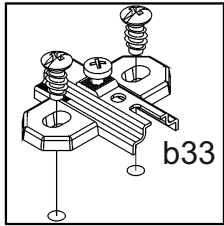
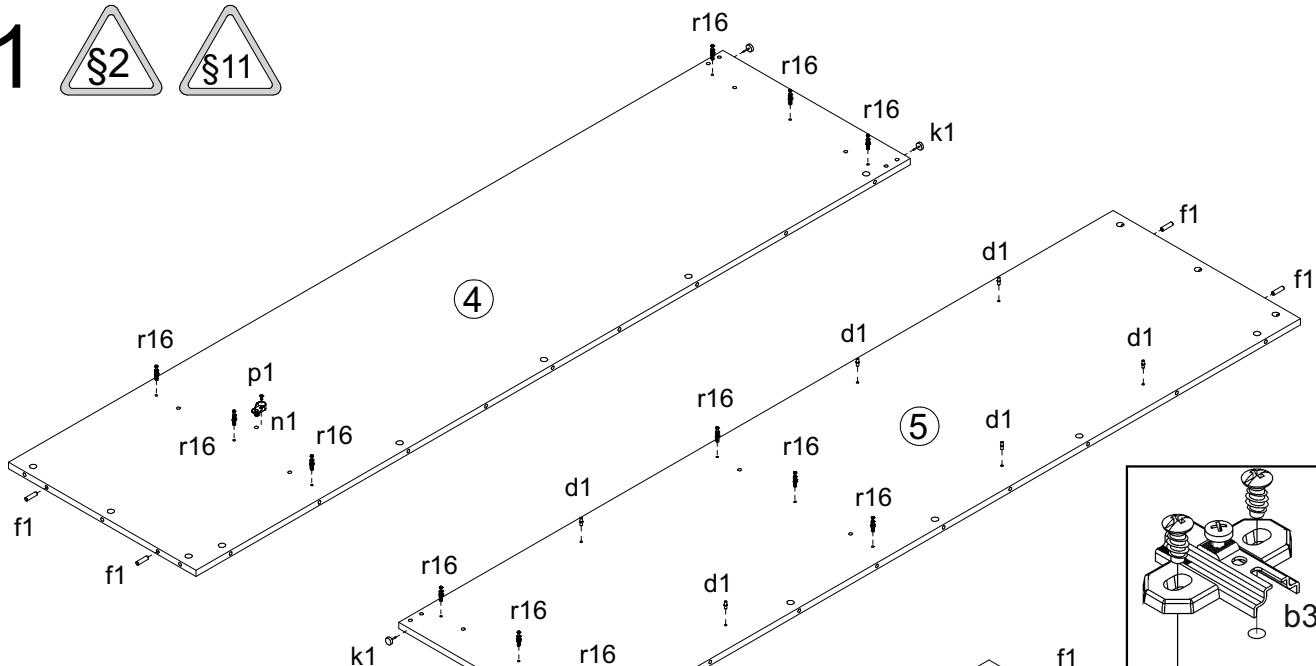
A	B	C	D	
1	S136-0013	1940	488	5/5
2	S136-0050	498	185	5/5
3	S136-0017	1534	496	5/5
4	S136-144	2058	540	1/5
5	S136-145	2058	540	1/5
6	S136-1116	1974	540	1/5
7	S136-1117	408	540	2/5
8	S136-212	1630	540	2/5
9	S136-316	1597	540	2/5
10	S136-319	1044	535	3/5
11	S136-320	536	540	3/5
12	S136-321	535	535	3/5
13	S136-322	509	540	3/5
14	S136-412	1597	68	2/5
15	S136-413	1501	50	2/5

A	B	C	D	
16	S136-414	492	56	2/5
17	S136-428	1597	68	2/5
18	S136-505	1496	29	2/5
19	S136-593	2075	65	4/5
20	S136-594	2075	65	4/5
21	S136-595	1631	65	4/5
22	S136-923	2000	556	1/5
23	S136-940	449	498	3/5
24	S136-919	2000	508	1/5
25	S136-5509	500	120	3/5
26	S136-5510	500	120	3/5
27	S136-5516	434	120	3/5
28	dr-1039	1039	30	2/5
29	lh-1549	1549	14	1/5

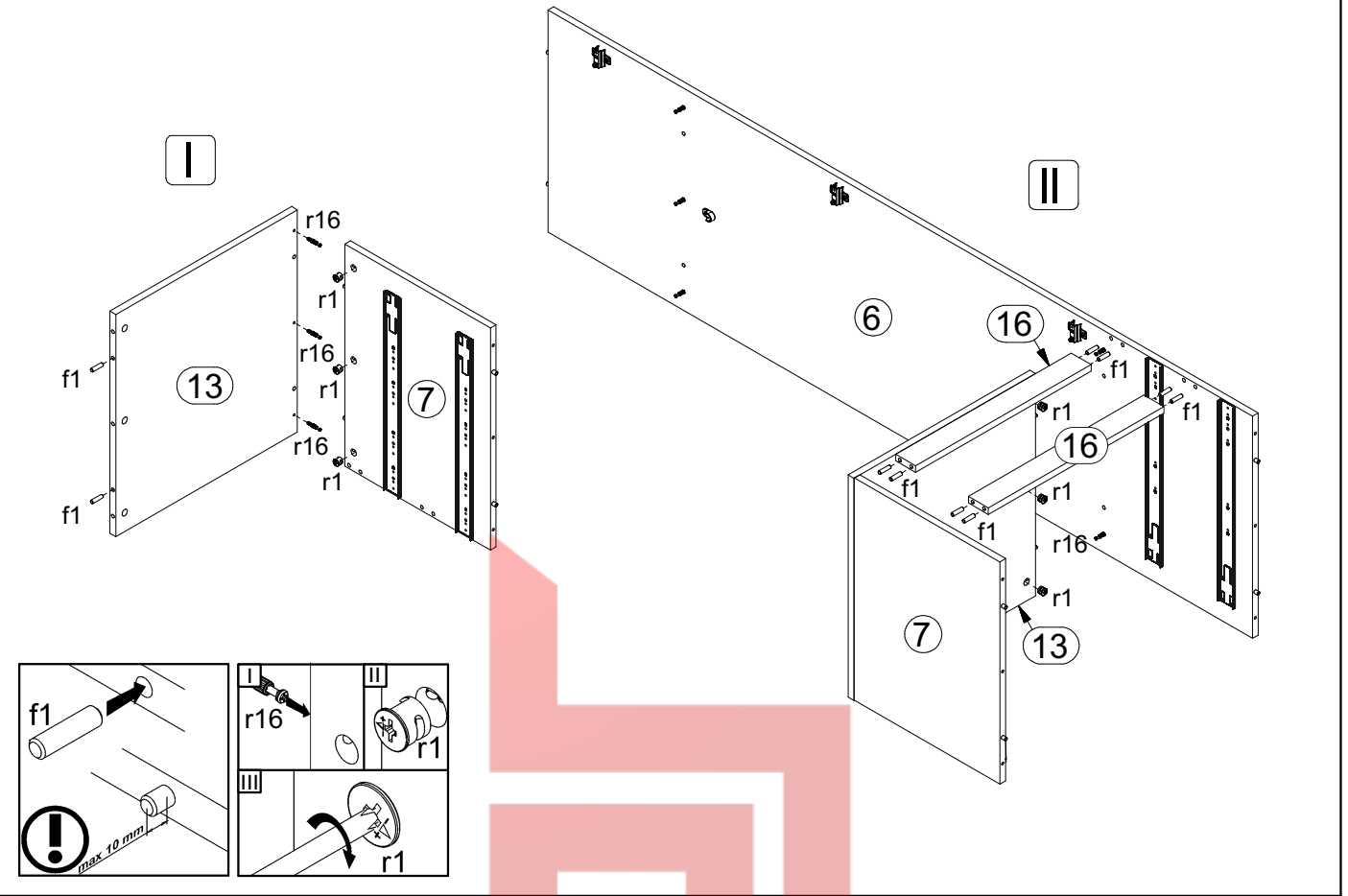


8x  a99	3x  a68	8x  b43	3x  b33	4x  c317	12x  φ5x17 mm d1	6x  φ7x50 mm e1	16x  φ6,3x13 mm e2
16x  φ6x13 mm e3	2x  r10	8x  φ5x50 mm e32	60x  φ8x30 mm f1	8x  M4x22 mm j30	6x  k1	150x  l1	2x  n1
1x  n261	2x  φ3,5x13 mm p1	10x  φ3,5x10 mm p35	1x  φ3,5x16 mm p38	22x  φ3,5x15 mm p51	5x  φ4x28 mm p94	16x  φ3,5x12 mm p140	60x  φ1,5x12mm #16 r1
56x  20/9 r16	23x  ø16 s2	4x  500 mm w203 <sup>1</sup>	4x  500 mm w203 <sup>2</sup>			1x  z1	

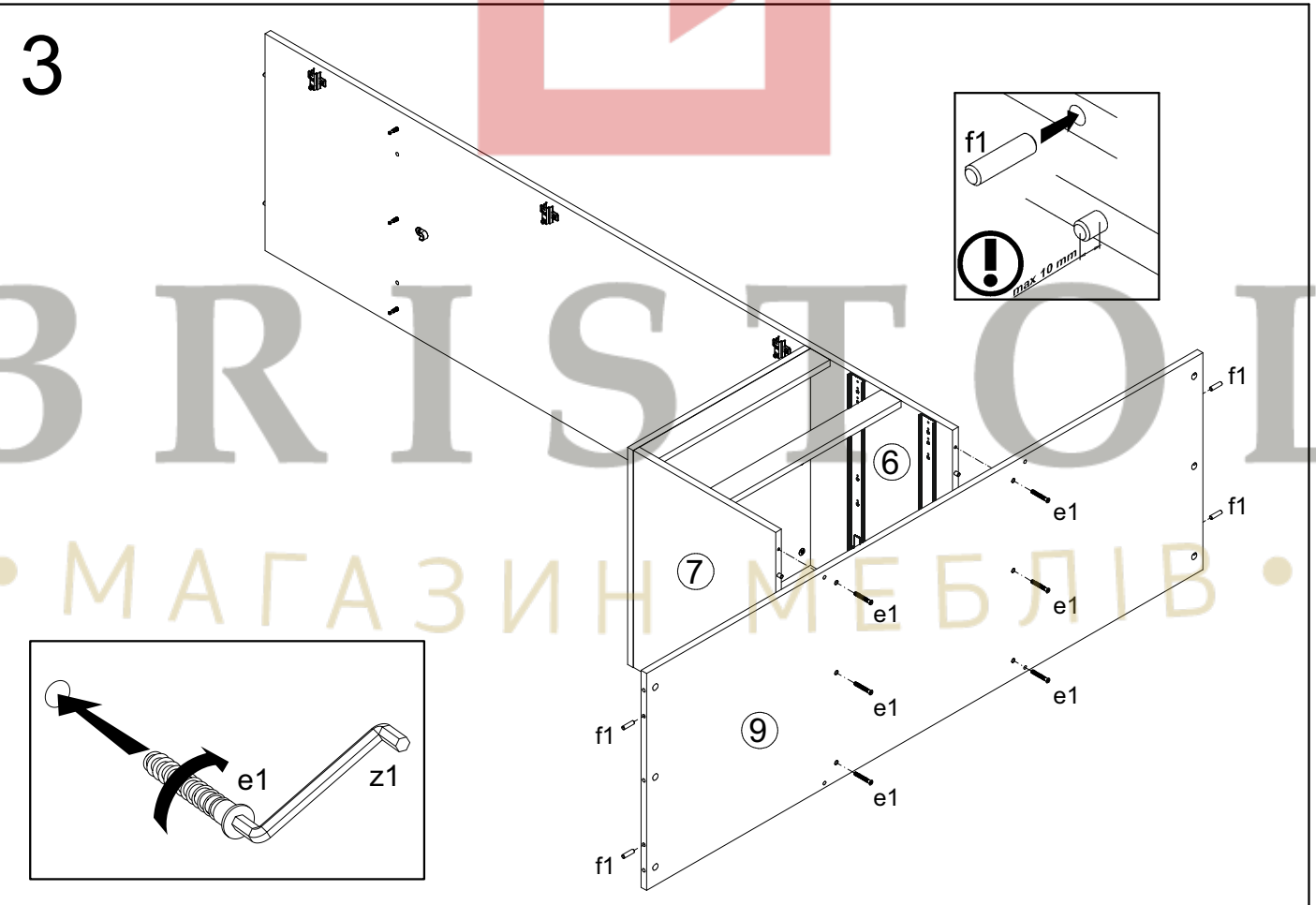
1



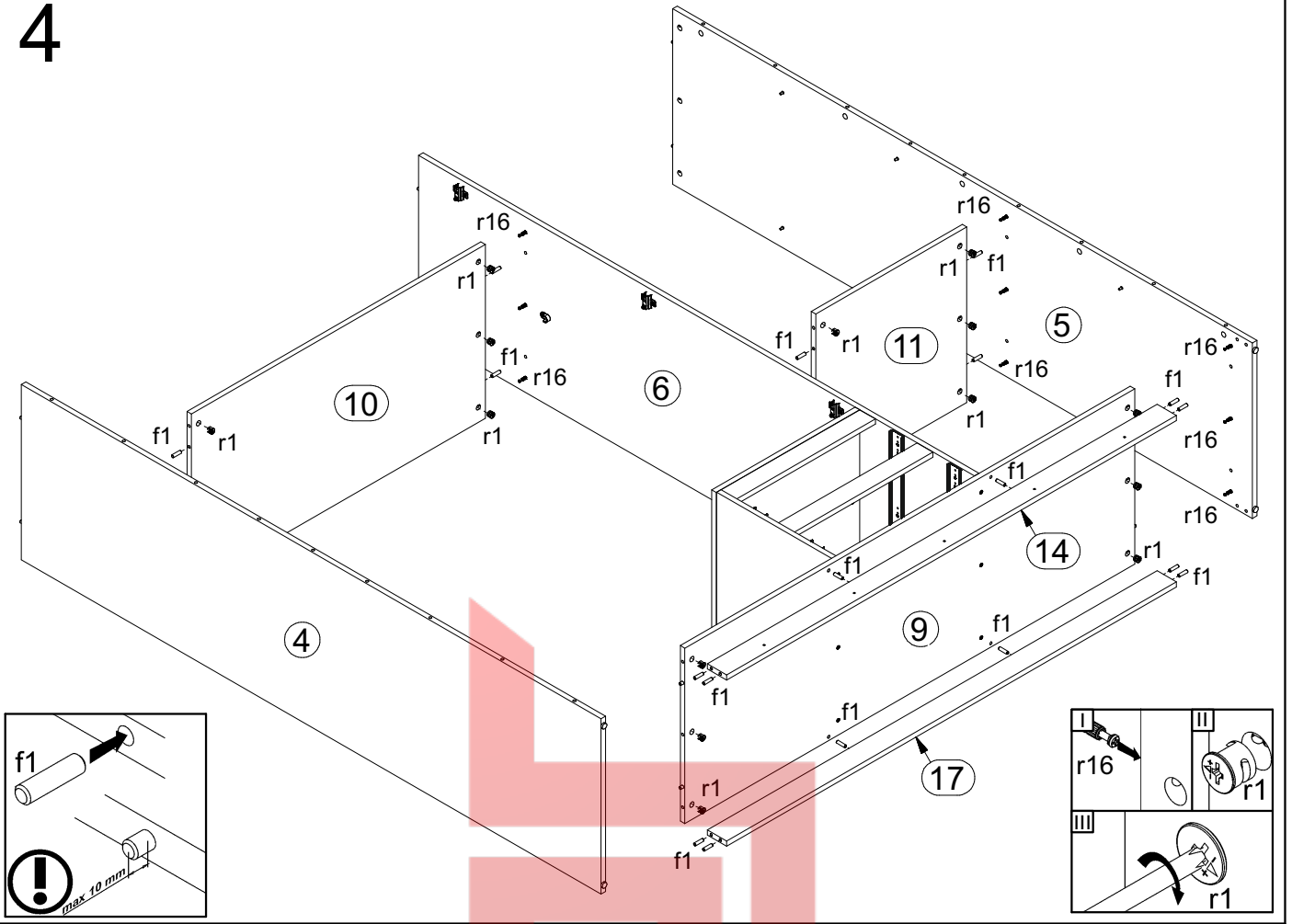
# 2



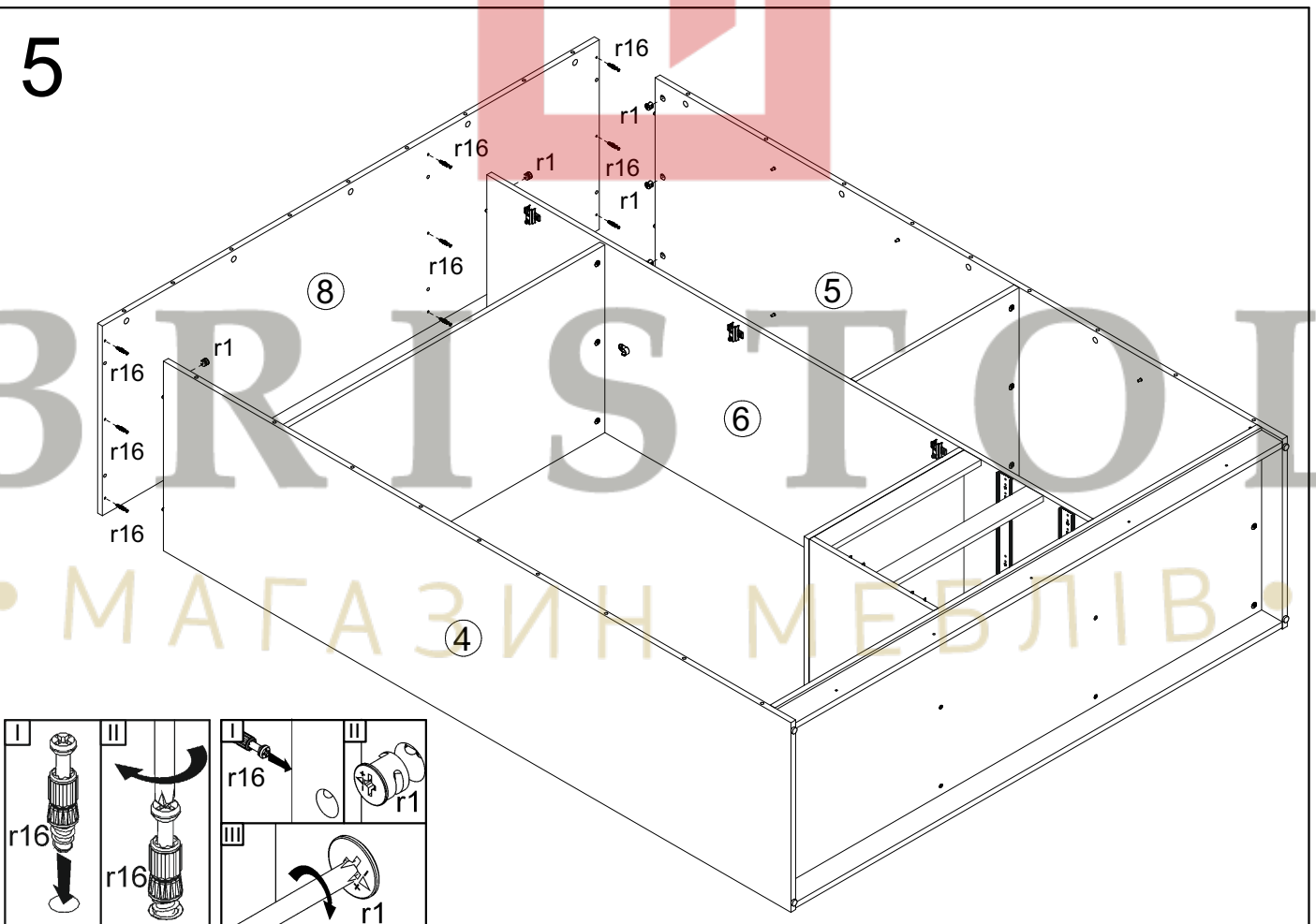
# 3



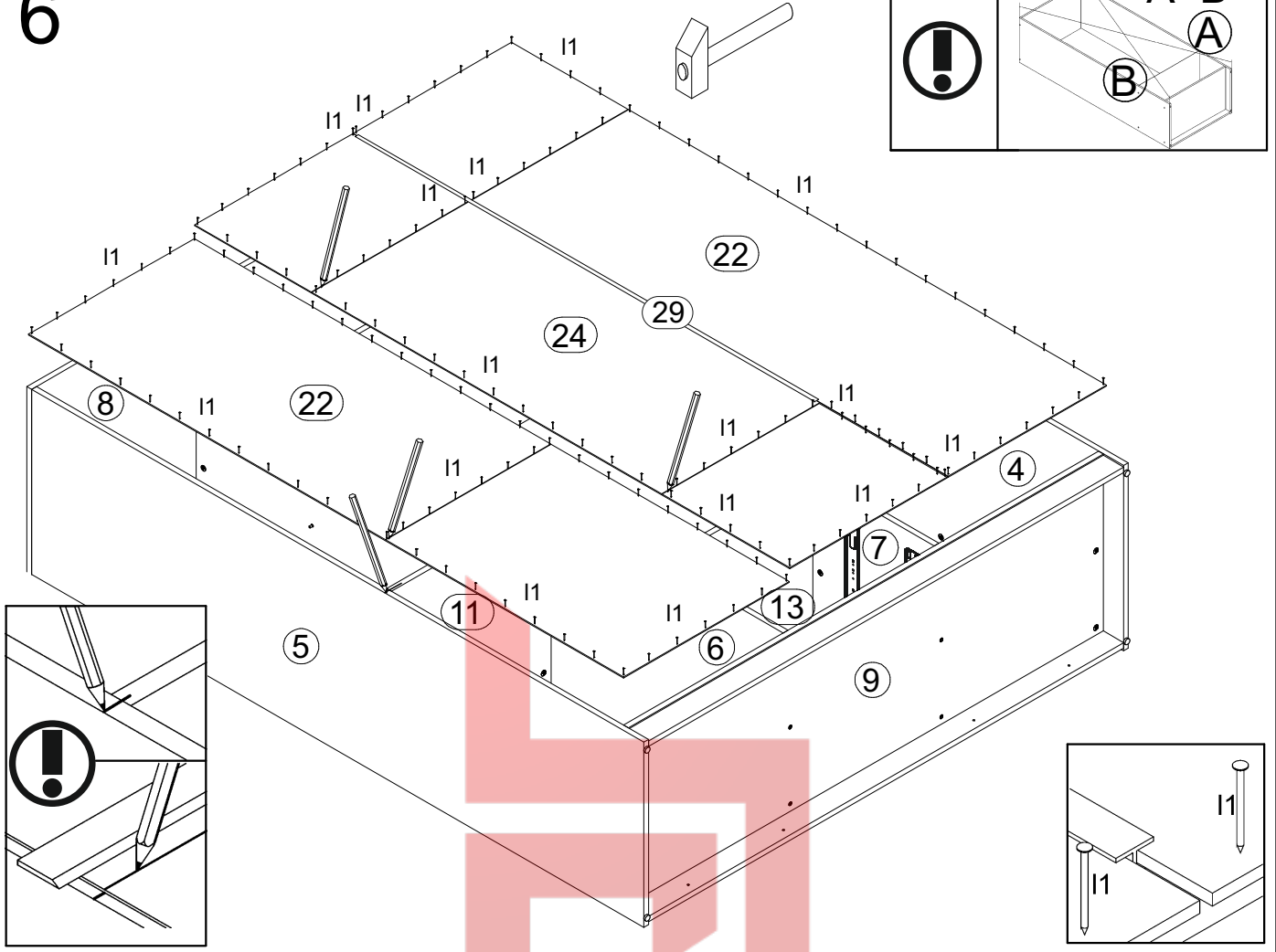
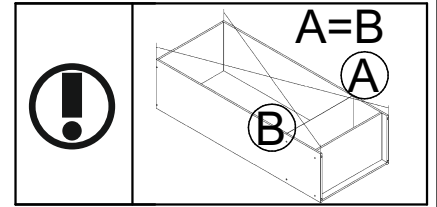
4



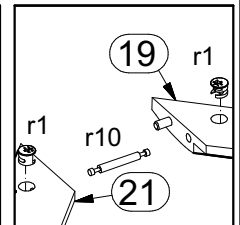
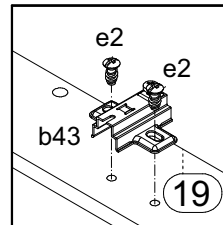
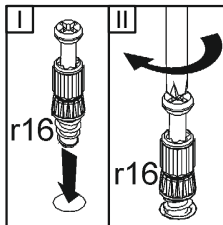
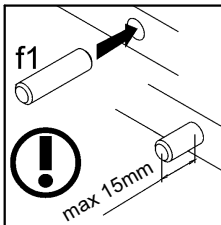
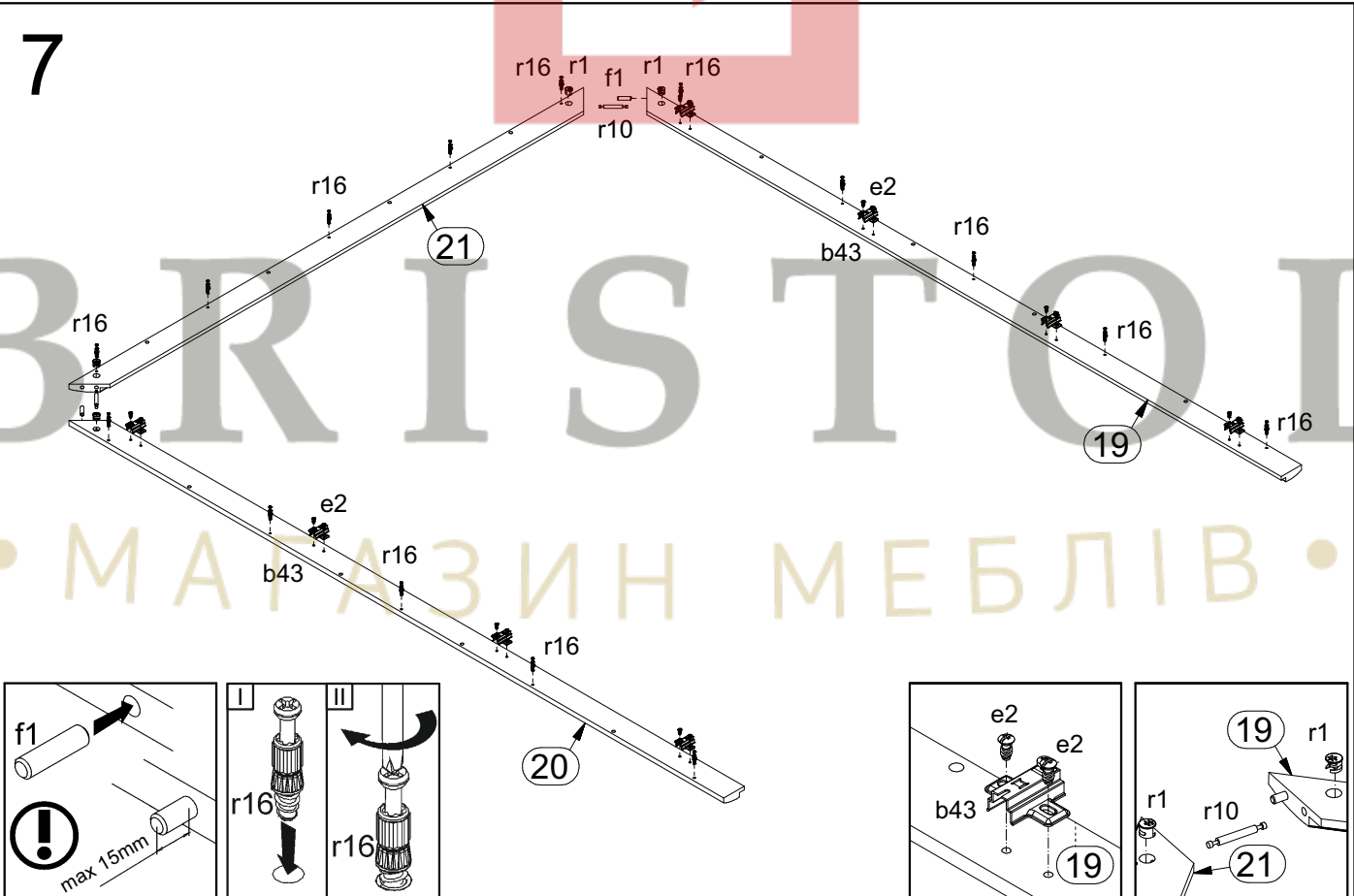
5



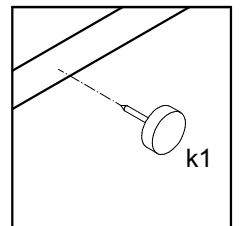
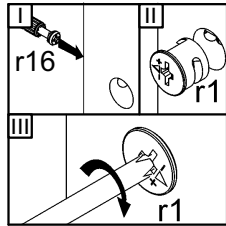
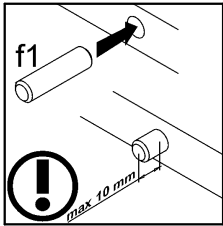
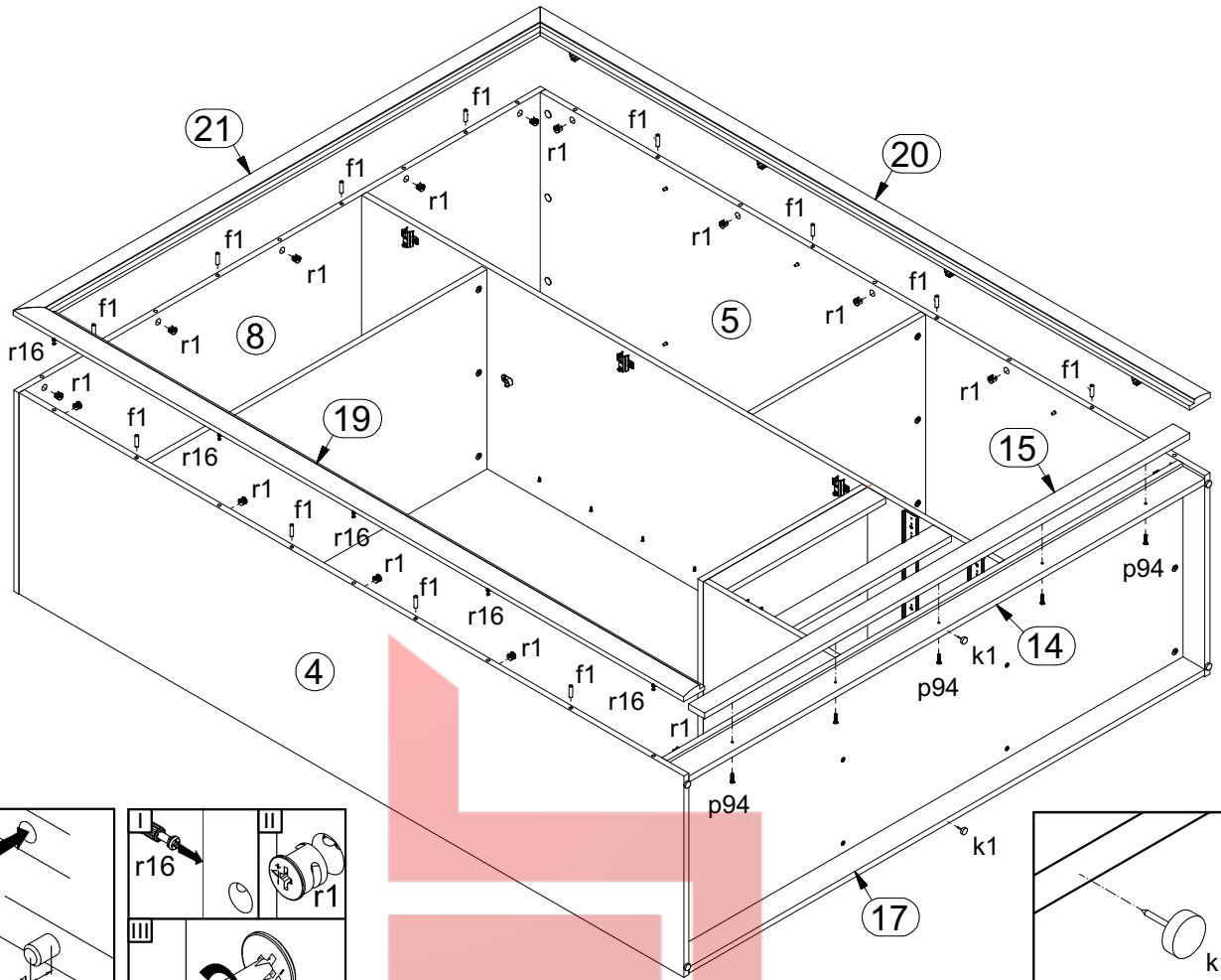
6



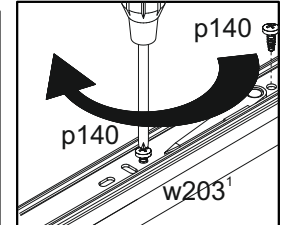
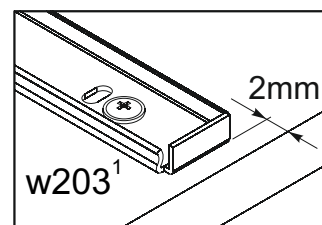
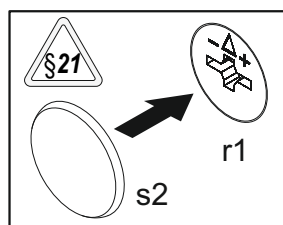
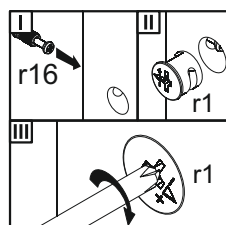
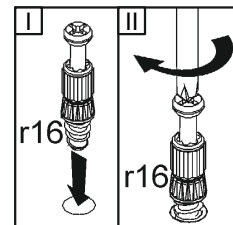
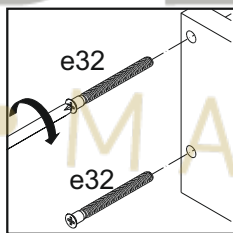
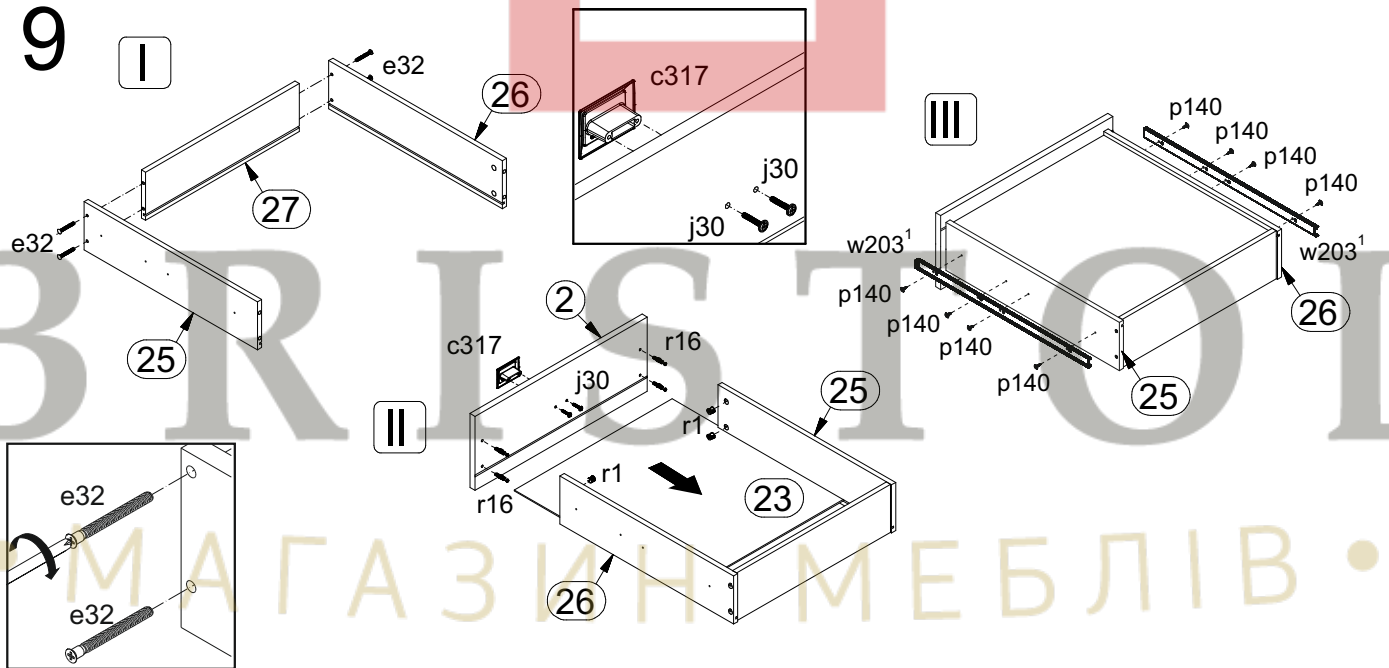
7



# 8



# 9



# 10

