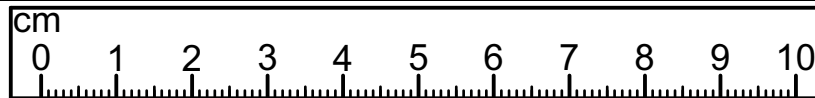
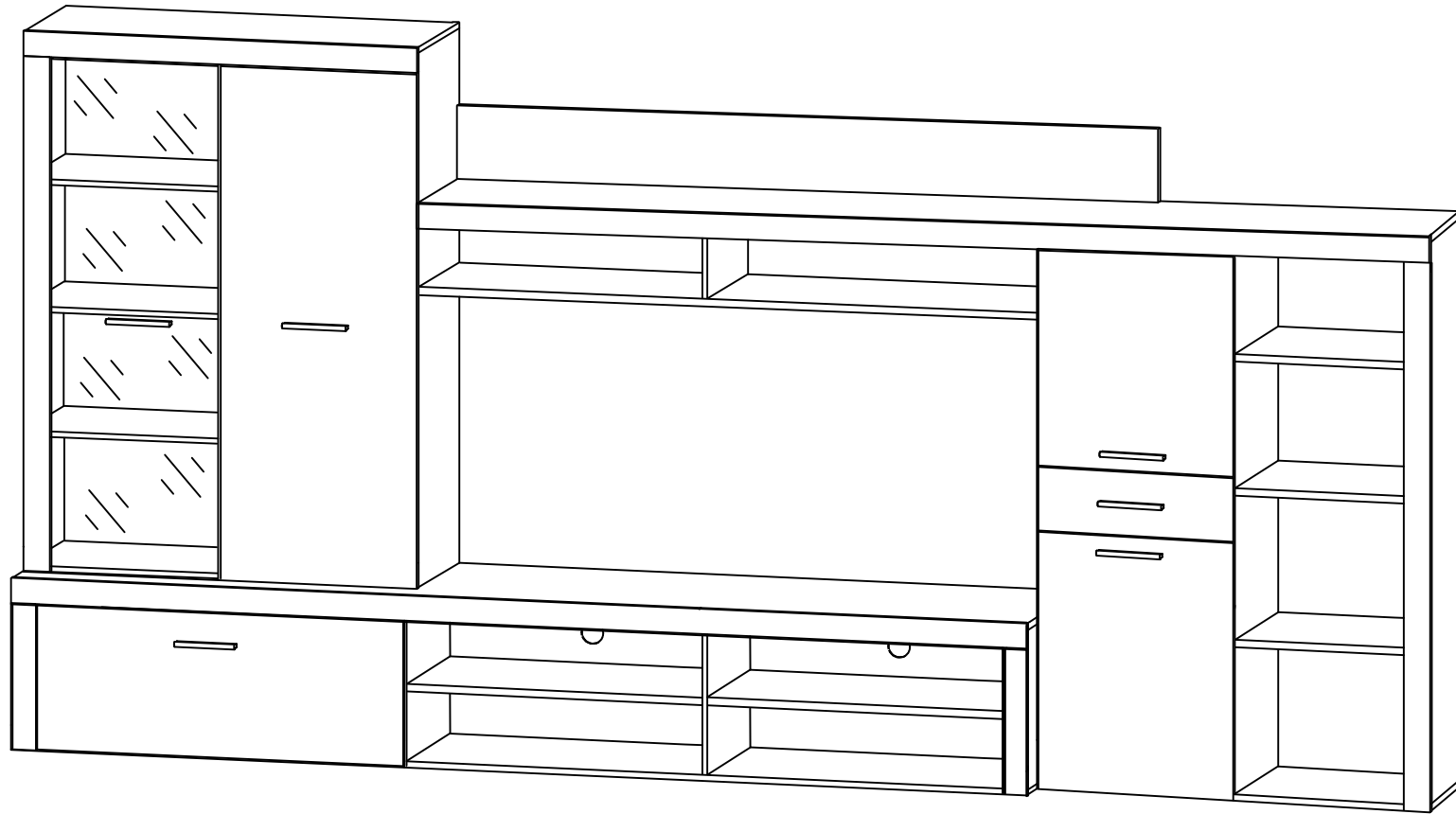
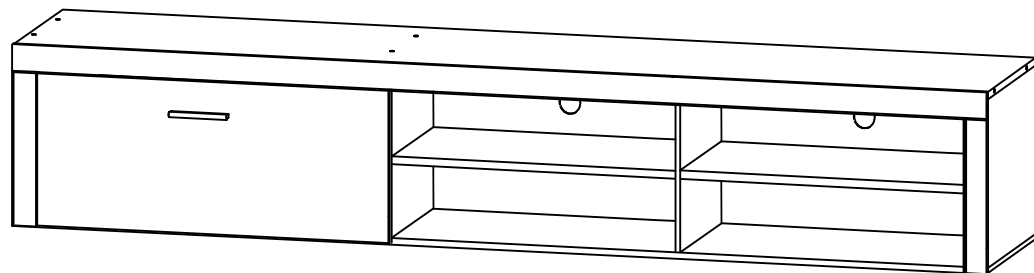


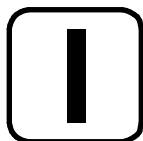
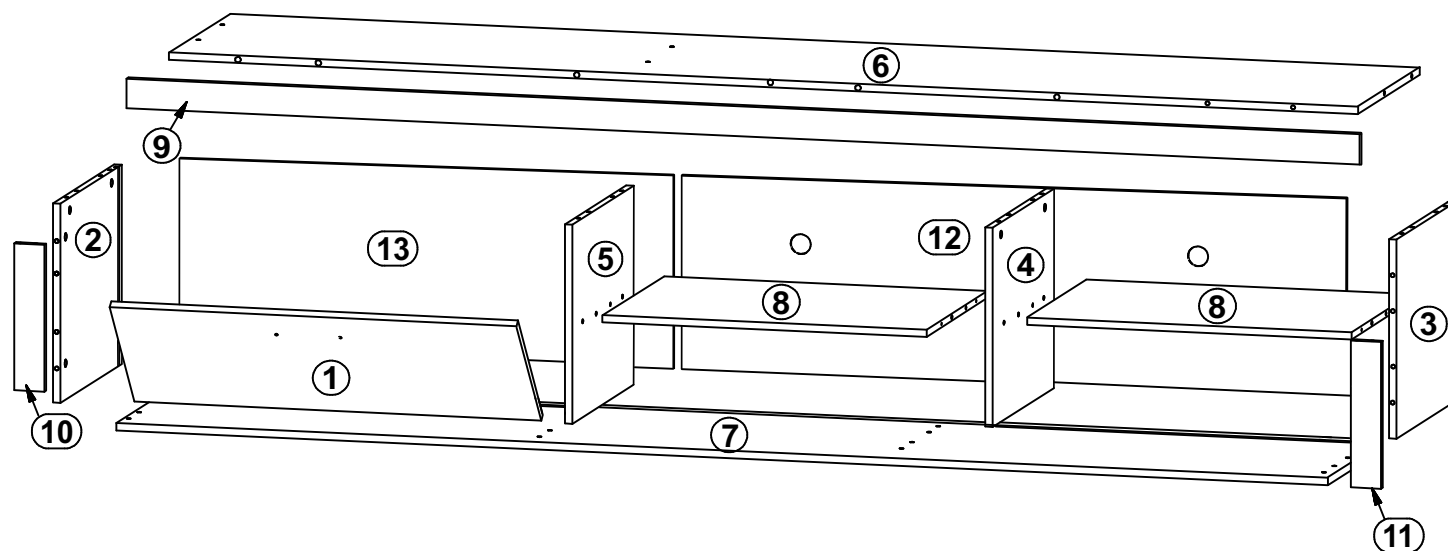
180 min



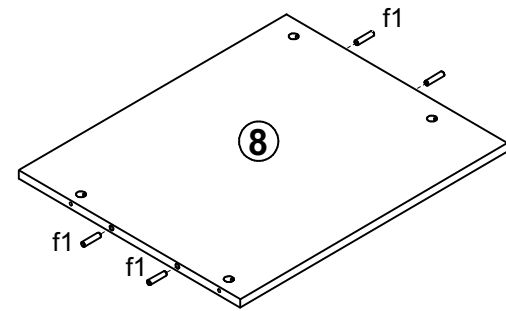
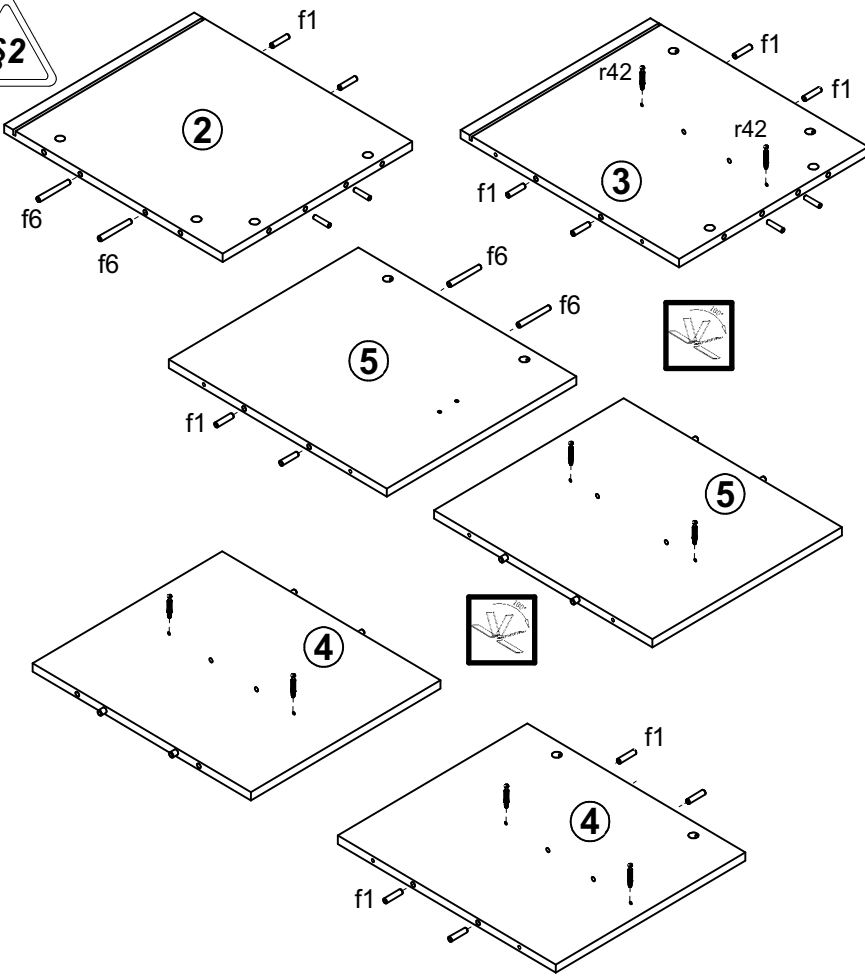
12x K0 a44	12x D5 b19	6x L=96/128 mm c235	24x d1 7x50 mm	24x e1 7x50 mm	2x e5 f6,3x13 mm	90x f1 f8x30 mm	10x f6 f8x50 mm	4x f25 6,5x40mm	66x l2	1x L-236 m3	14x 20x13x3,51mm n108	2x o1
3x f3,5x13 mm p1	10x f4x30 mm p9	12x f3,5x16 mm p38	24x f3,5x15 mm p51	14x f2,9x16 mm p55	2x f4x12 mm p59	75x f15x12mm #16 r1	75x r42 20/11	6x x13mm e3	4x l15x9 mm e19	10x k55	20x φ4x35mm p6	10x silikon φ8x1,8mm o21
7x s1 16	15x s2	1x 300 mm w37\CL	1x 300 mm w37\CR	1x 300 mm w37\DL	1x 300 mm w37\DR	1x z1						



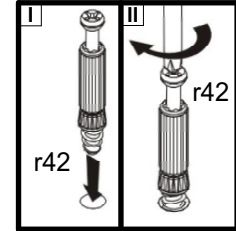
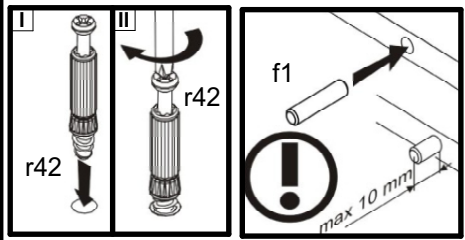
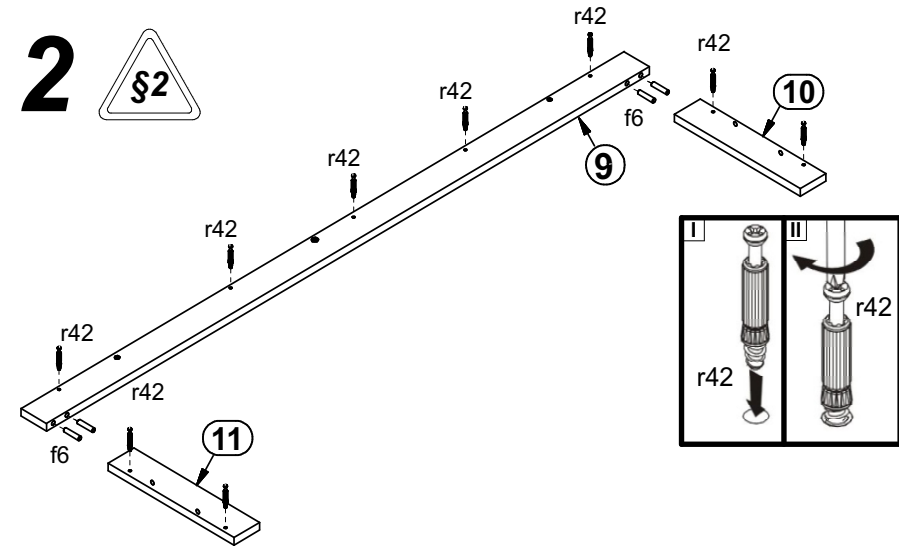
A	B	C (mm)		D
1	N64-002	689	332	1/5
2	N64-103	363	400	2/5
3	N64-104	363	400	2/5
4	N64-105	363	380	1/5
5	N64-106	363	380	1/5
6	N64-202	1950	400	1/5
7	N64-203	1950	400	1/5
8	N64-304	583	380	1/5
9	N64-504	1950	60	2/5
10	N64-505	336	60	2/5
11	N64-511	336	60	2/5
12	N64-902	373	1194	1/5
13	N41-904	373	731	2/5



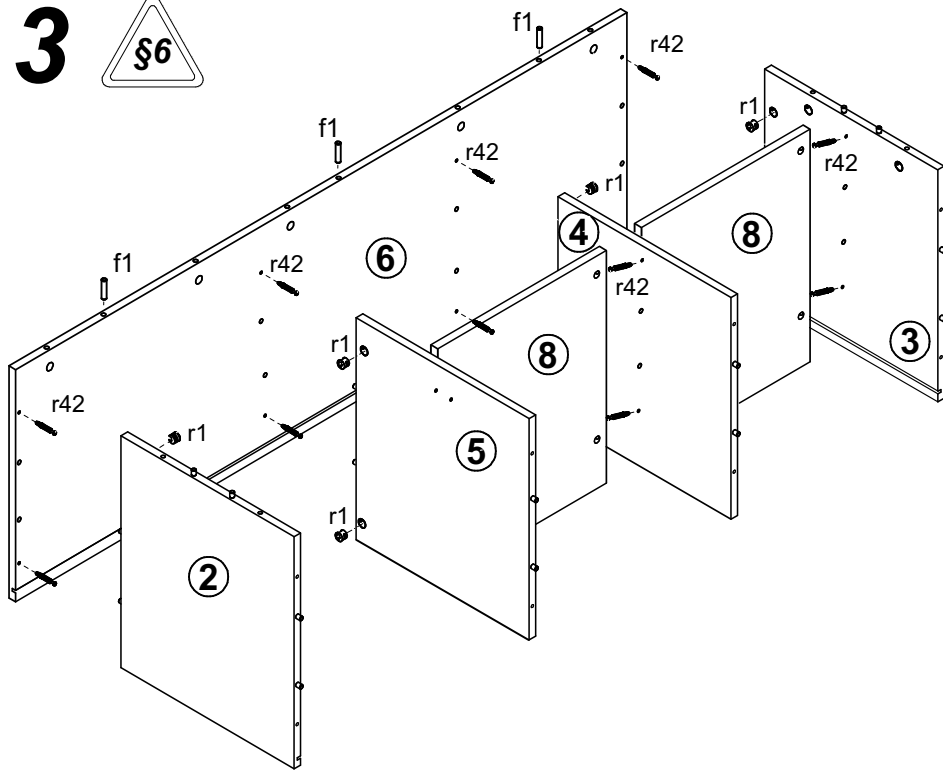
1



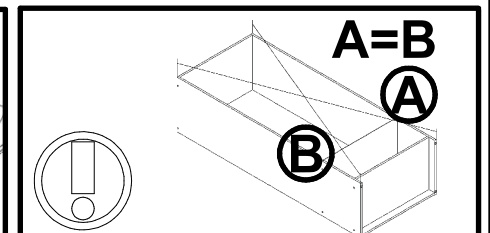
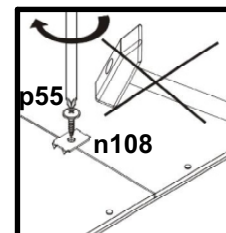
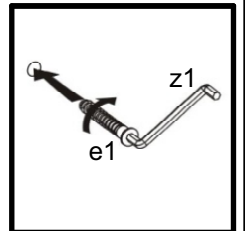
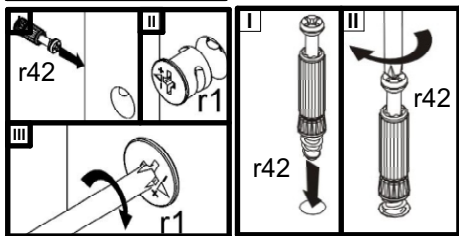
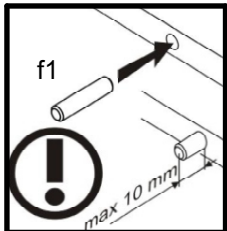
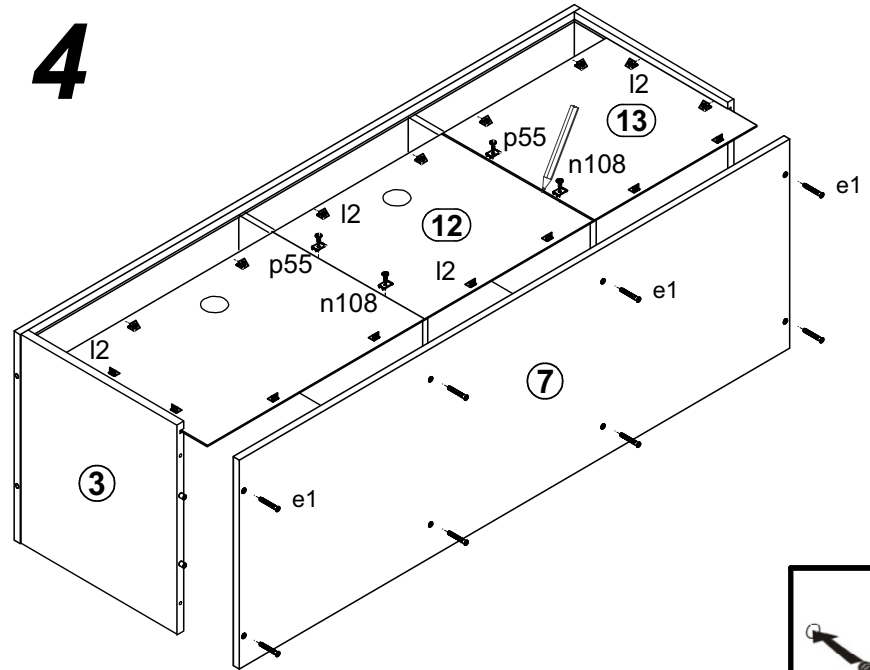
2

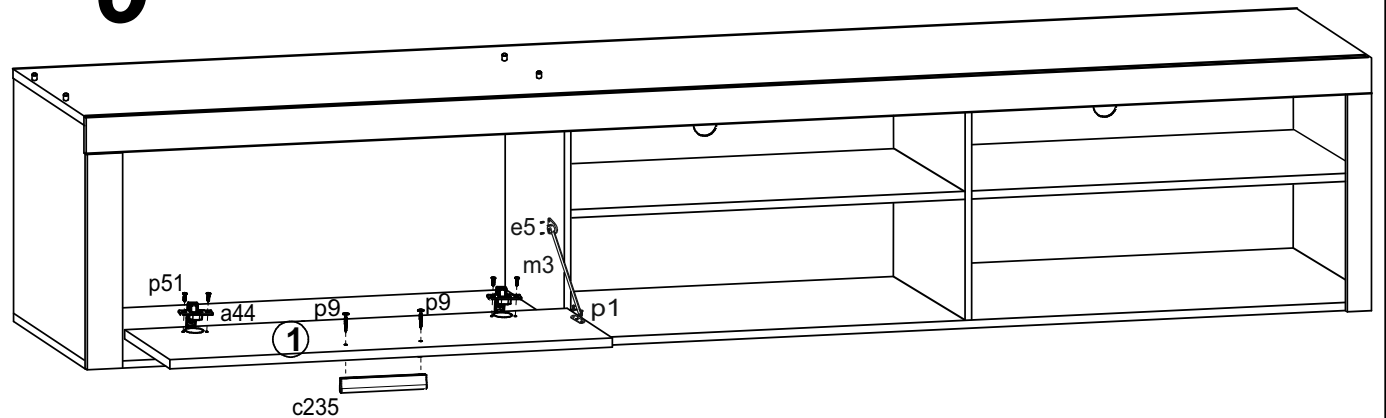
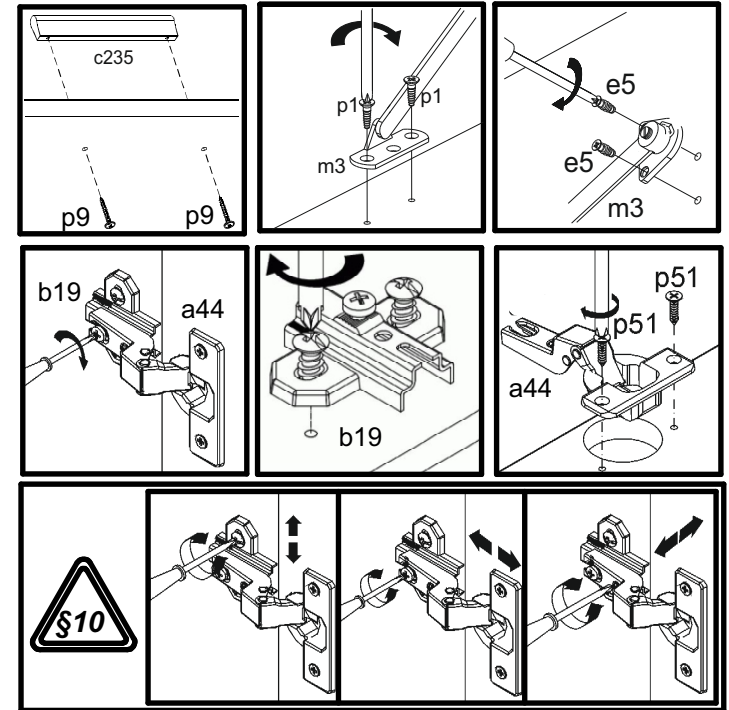
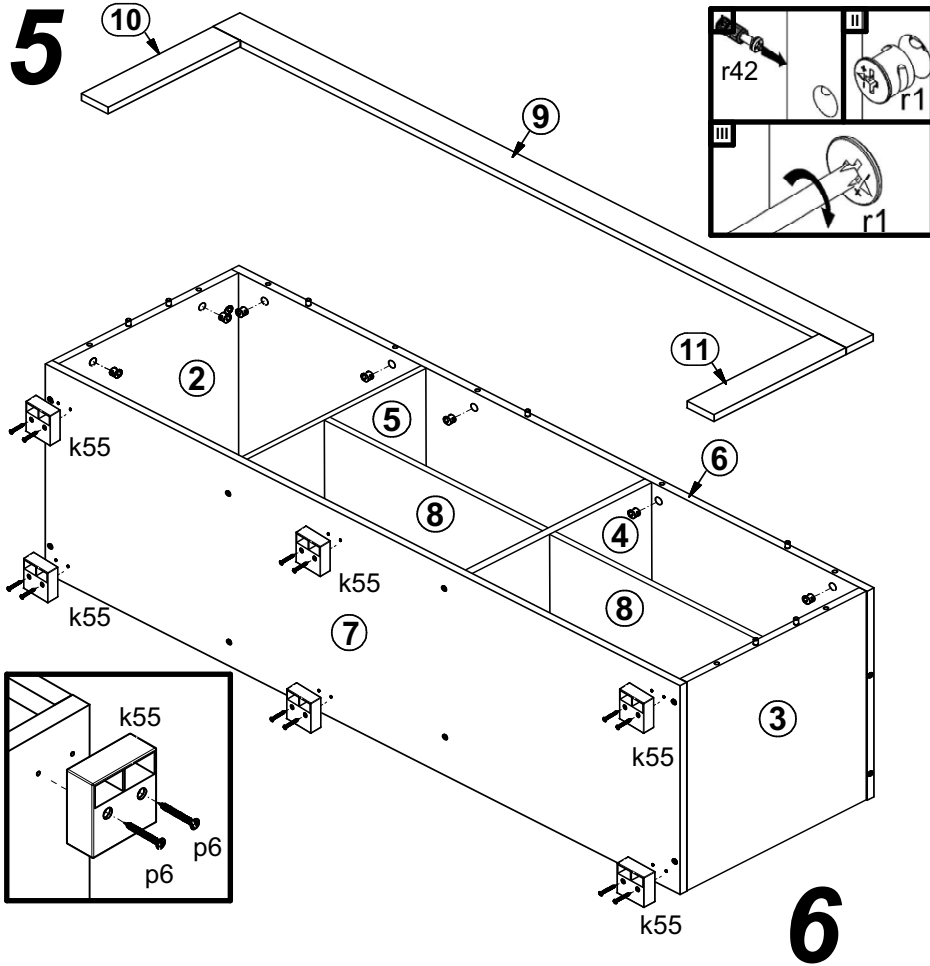


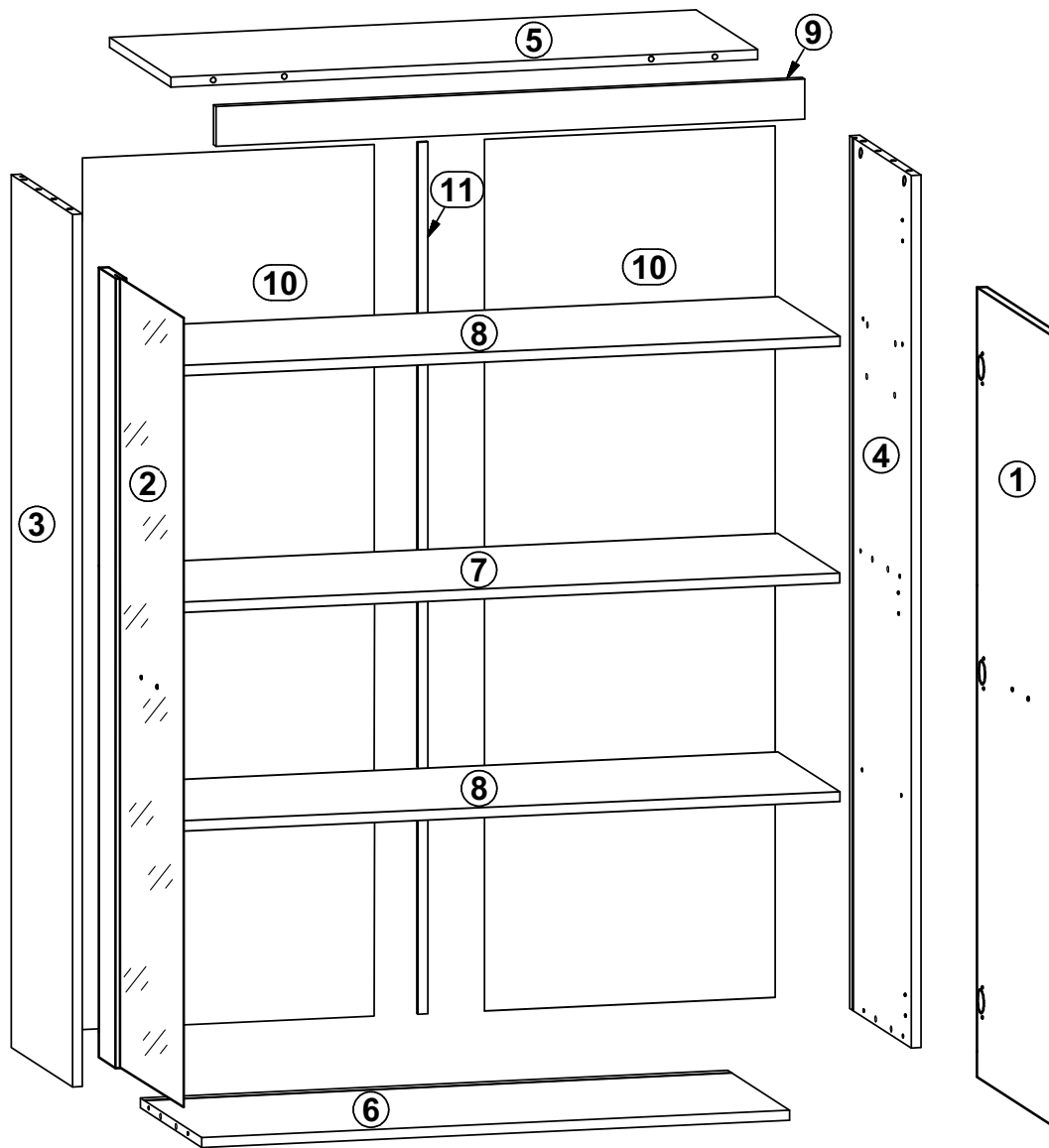
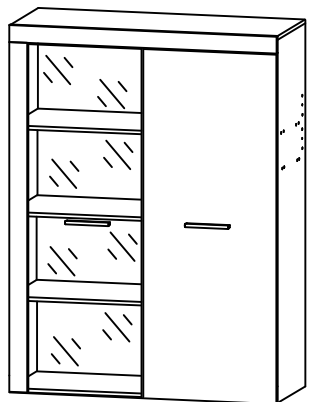
3



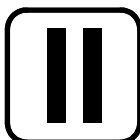
4



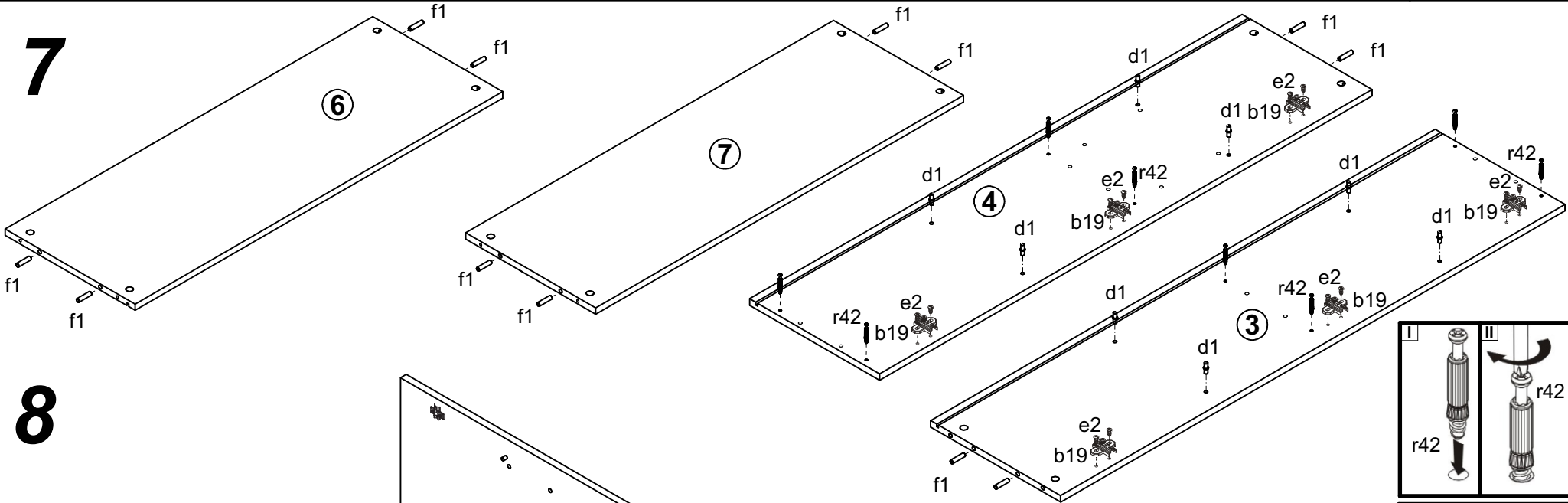




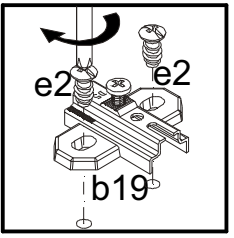
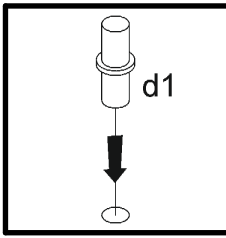
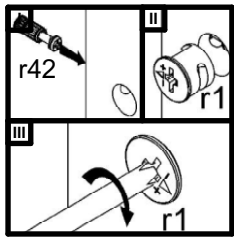
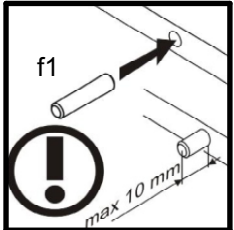
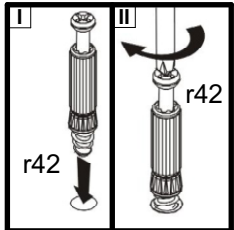
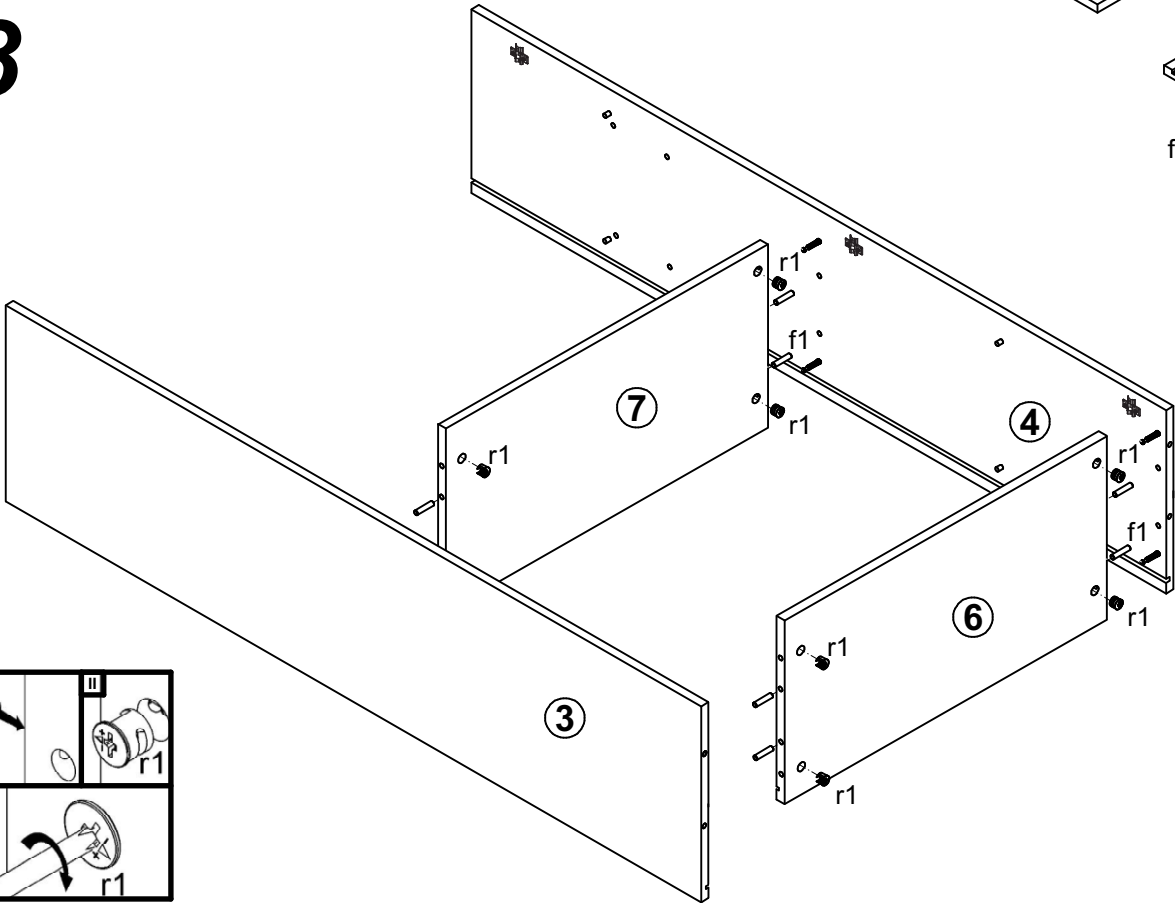
A	B	C (mm)		D
1	N64-001	1471	372	3/5
2	N64-006	1471	373	3/5
3	N64-101	1520	340	4/5
4	N64-102	1520	340	4/5
5	N64-201	752	340	5/5
6	N64-301	719	340	4/5
7	N64-302	718	320	5/5
8	N64-303	716	315	5/5
9	N64-501	752	60	5/5
10	N64-901	1514	363	3/5
11	Lh-1498	1498	14	3/5

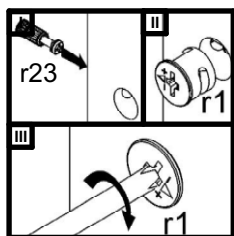
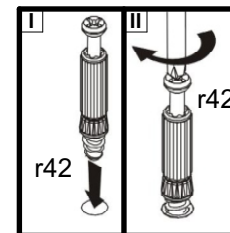
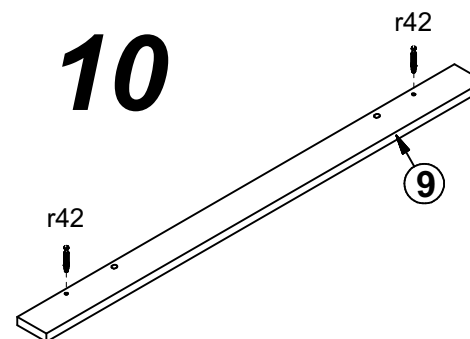
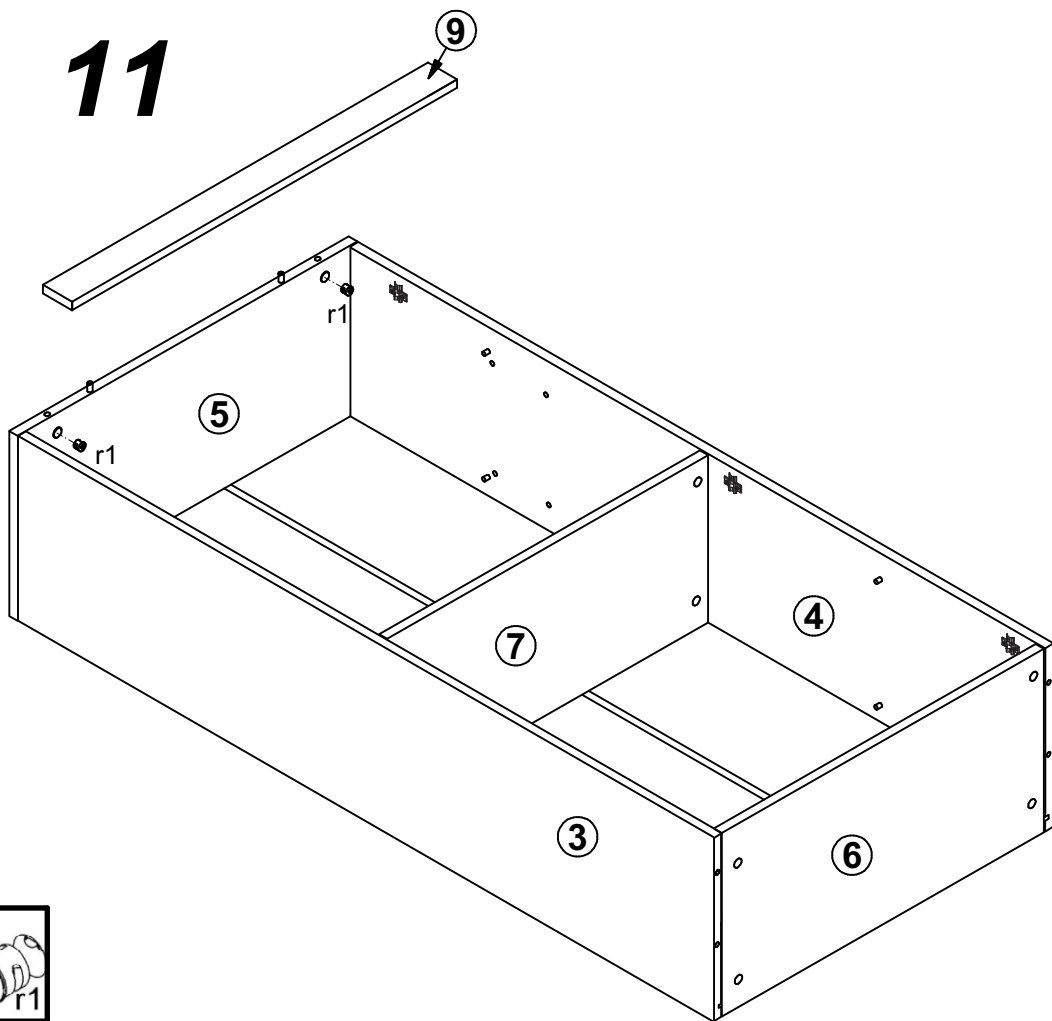


7

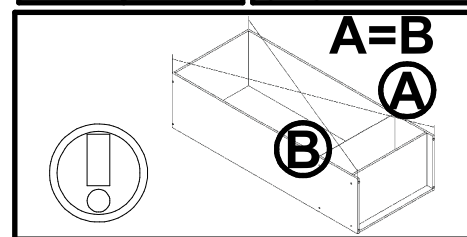
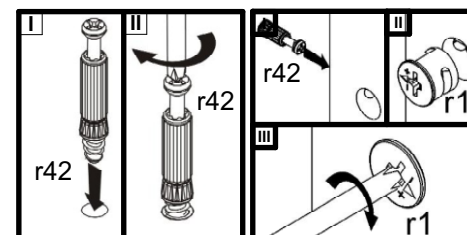
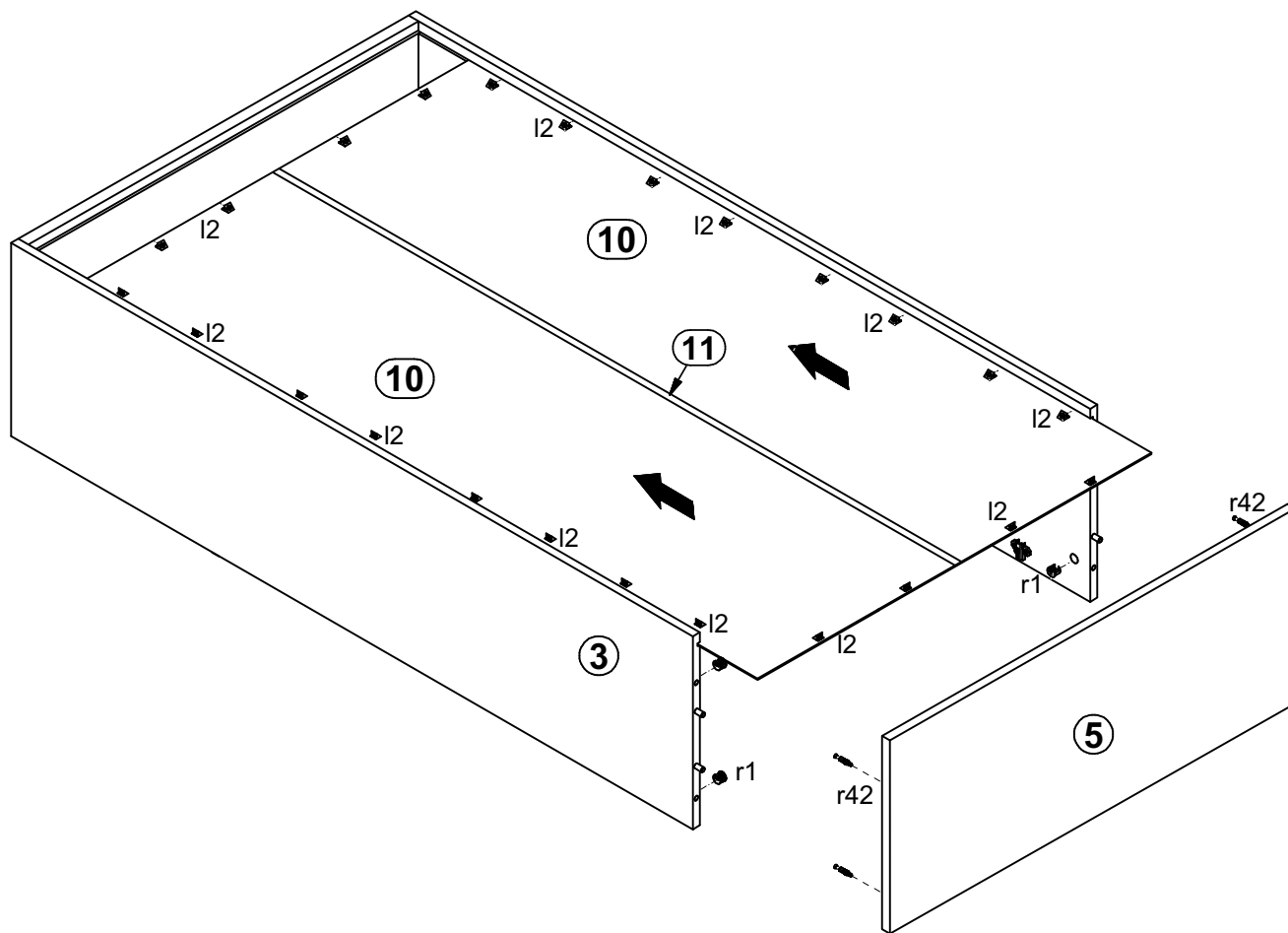


8

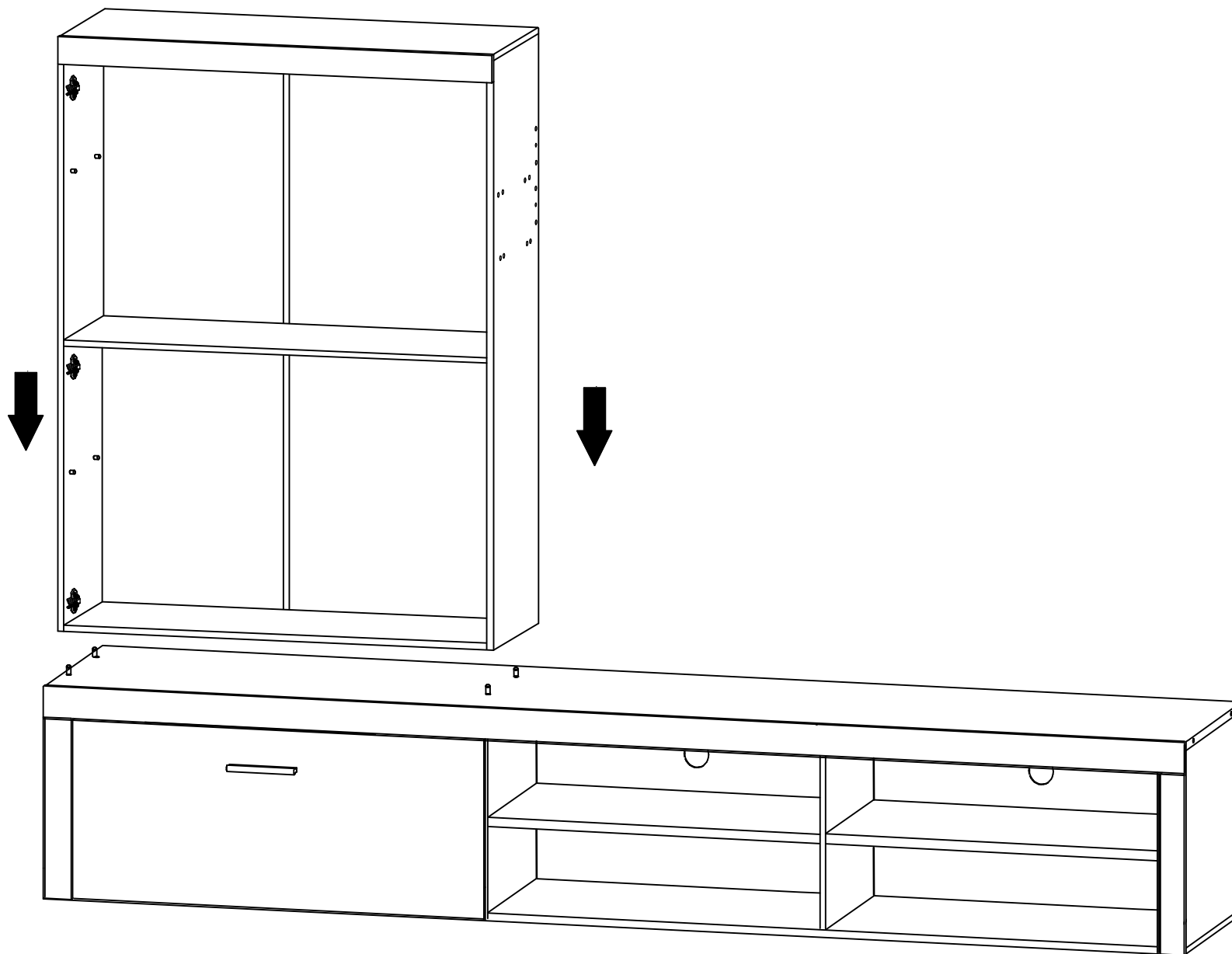


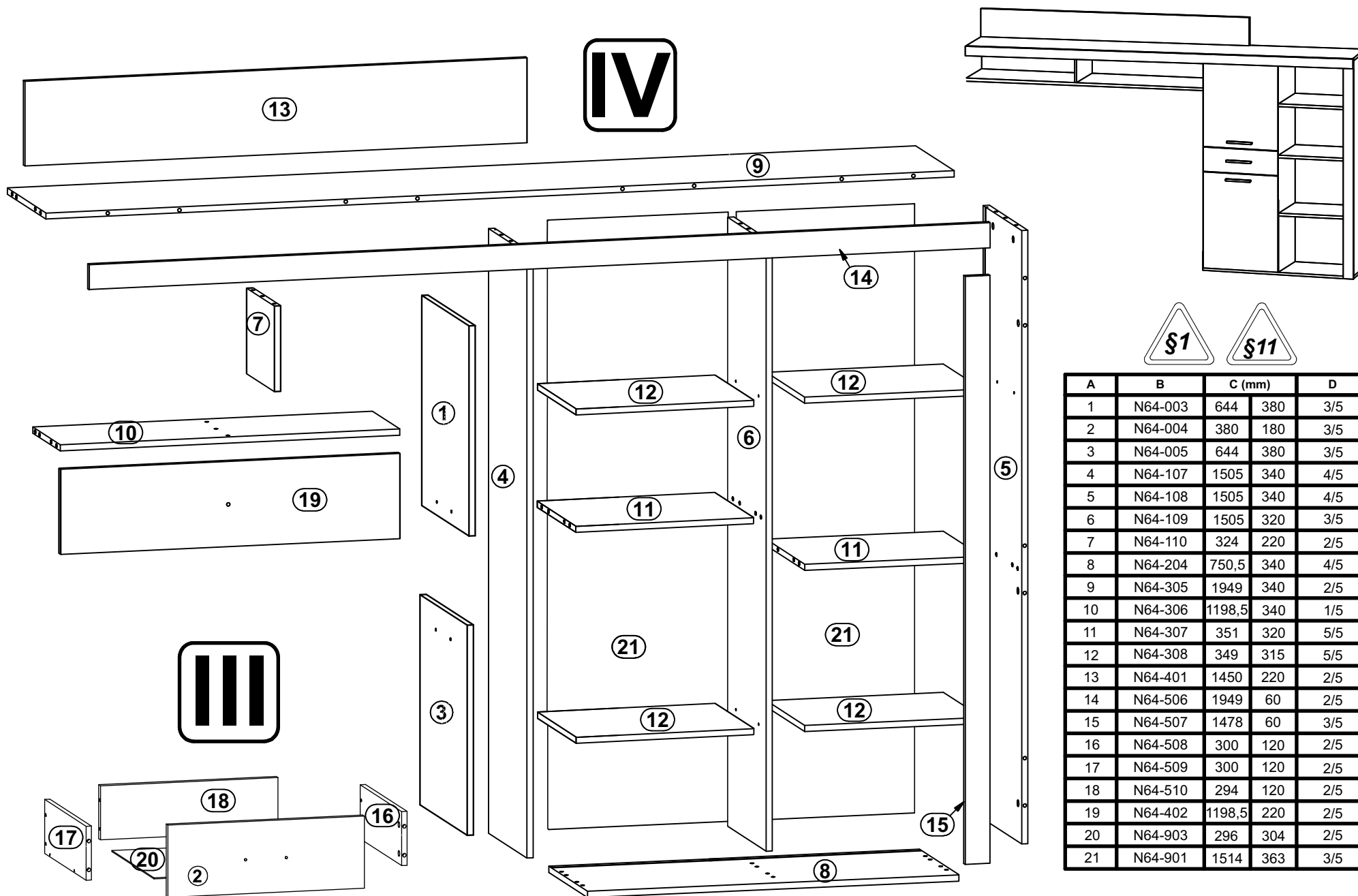


9



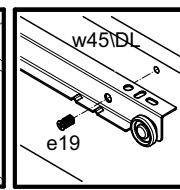
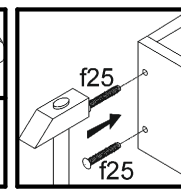
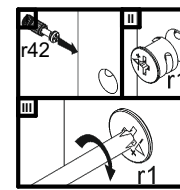
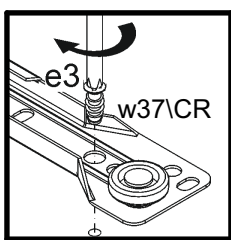
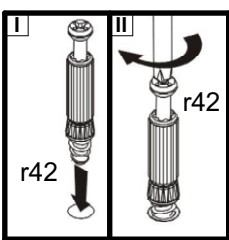
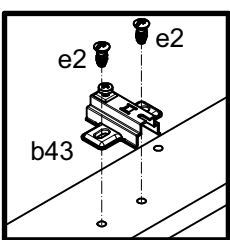
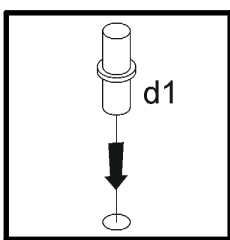
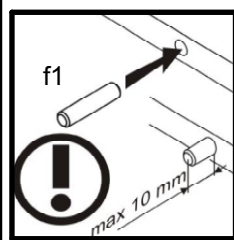
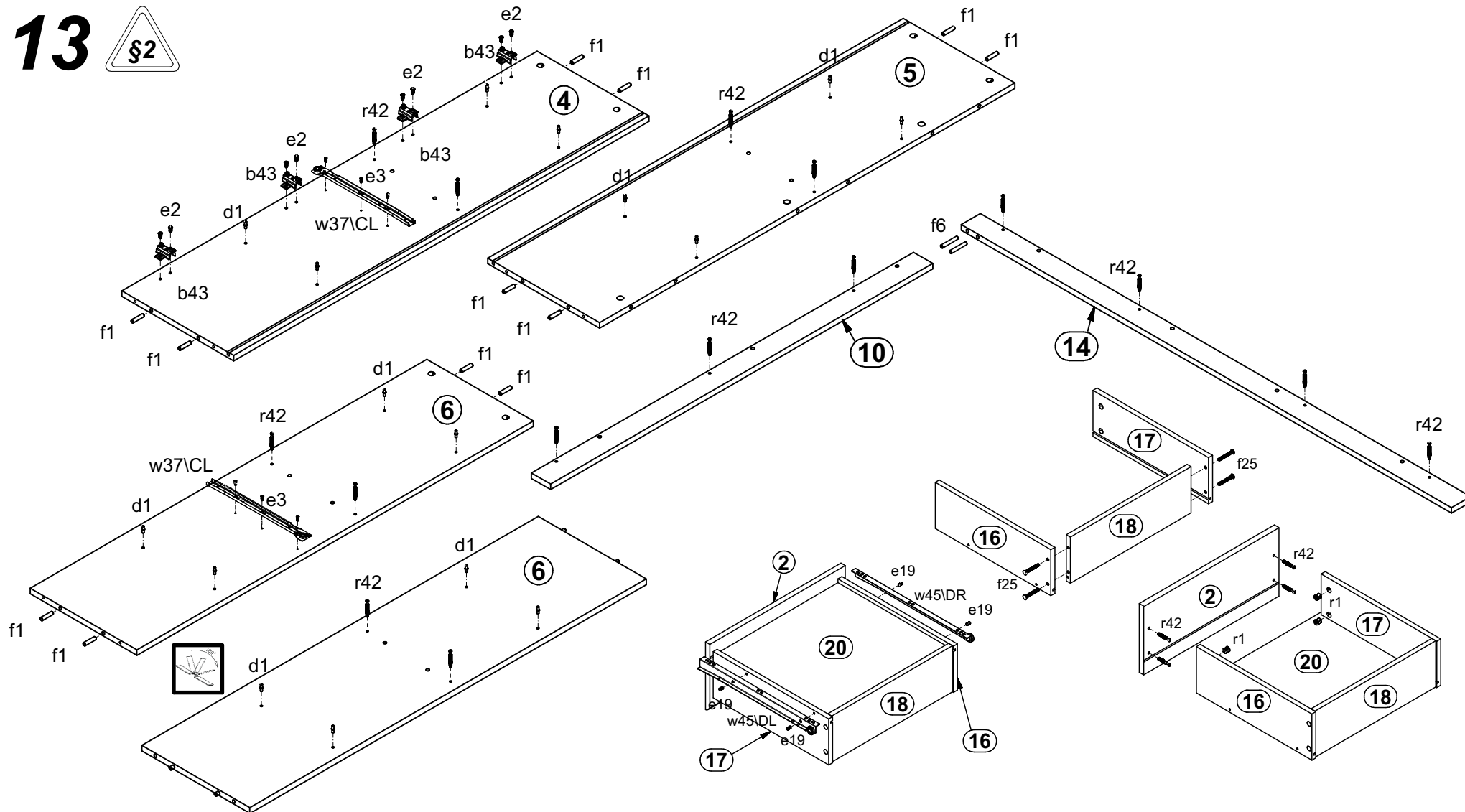
12



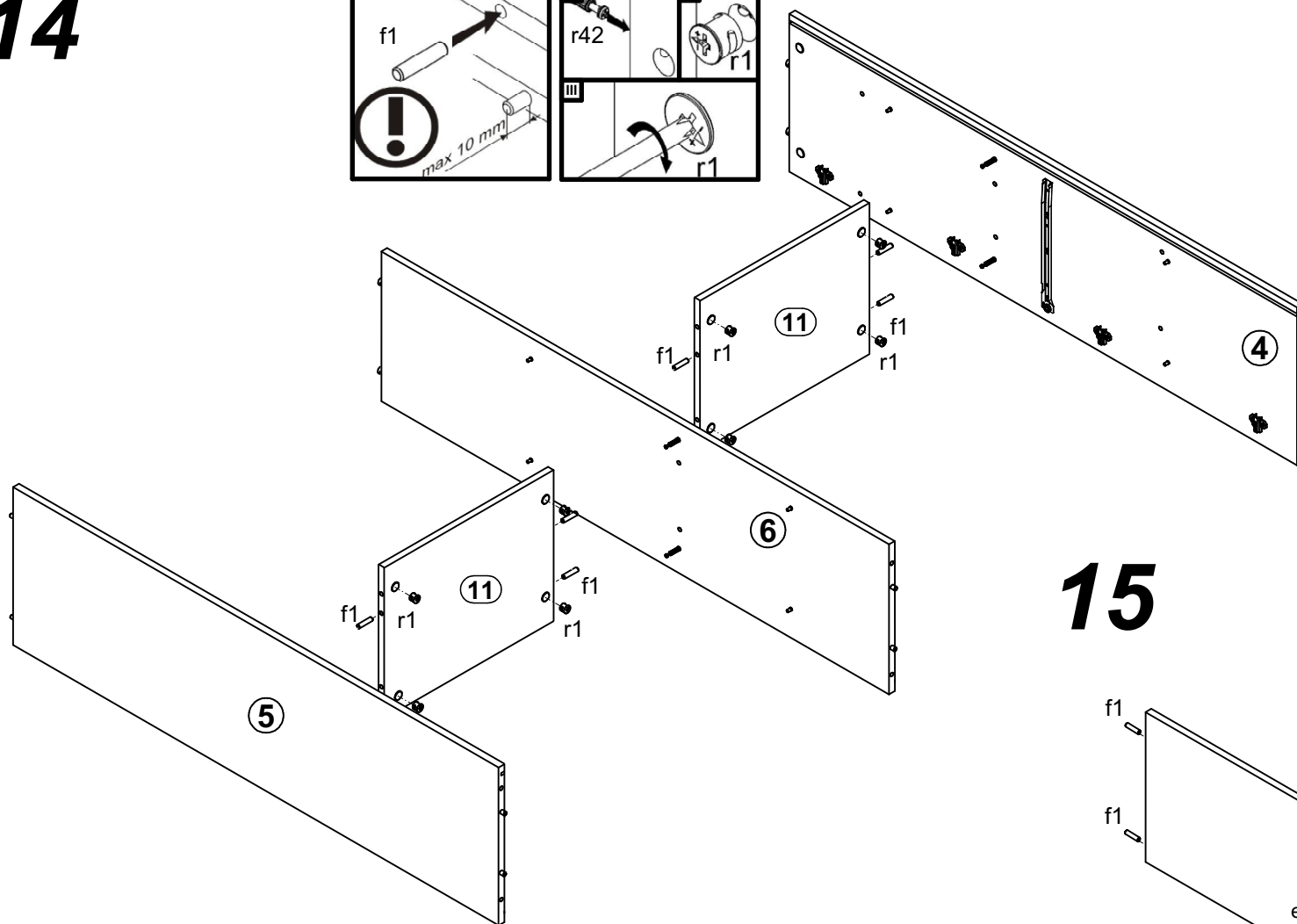
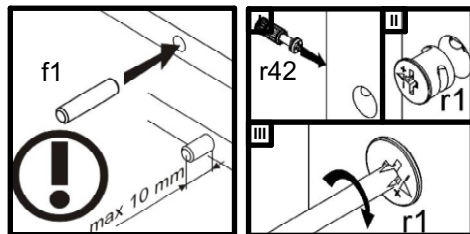


A	B	C (mm)		D
1	N64-003	644	380	3/5
2	N64-004	380	180	3/5
3	N64-005	644	380	3/5
4	N64-107	1505	340	4/5
5	N64-108	1505	340	4/5
6	N64-109	1505	320	3/5
7	N64-110	324	220	2/5
8	N64-204	750,5	340	4/5
9	N64-305	1949	340	2/5
10	N64-306	1198,5	340	1/5
11	N64-307	351	320	5/5
12	N64-308	349	315	5/5
13	N64-401	1450	220	2/5
14	N64-506	1949	60	2/5
15	N64-507	1478	60	3/5
16	N64-508	300	120	2/5
17	N64-509	300	120	2/5
18	N64-510	294	120	2/5
19	N64-402	1198,5	220	2/5
20	N64-903	296	304	2/5
21	N64-901	1514	363	3/5

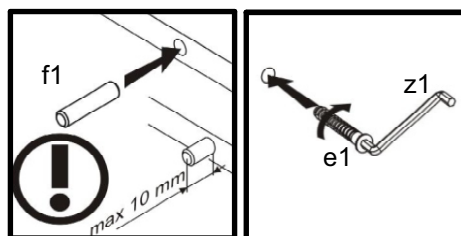
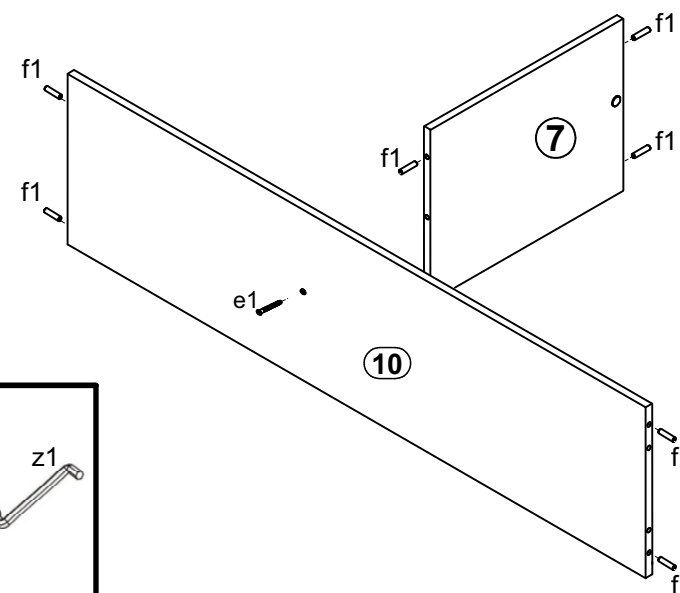
13 



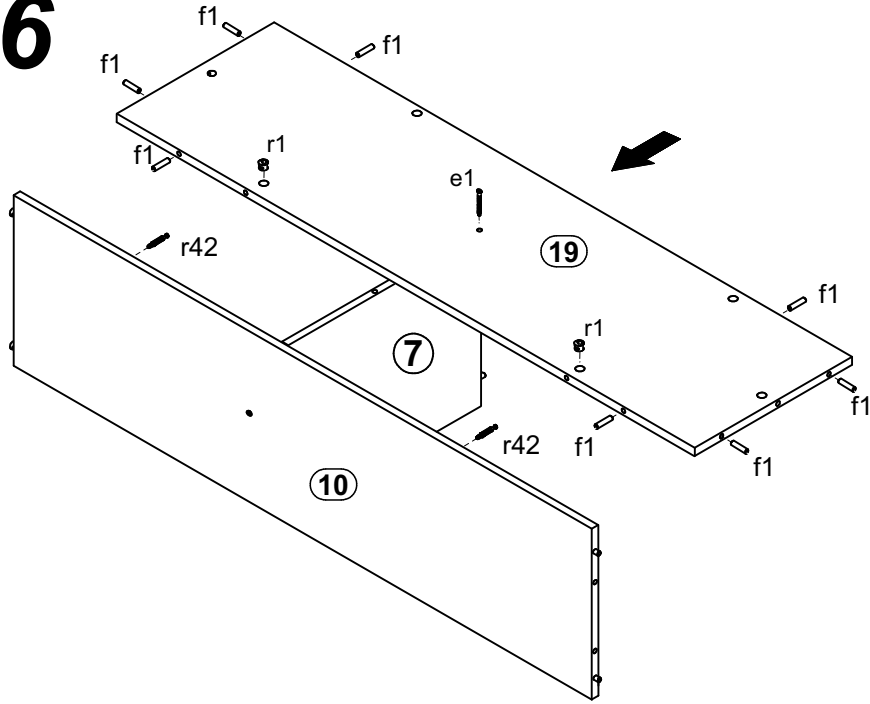
14



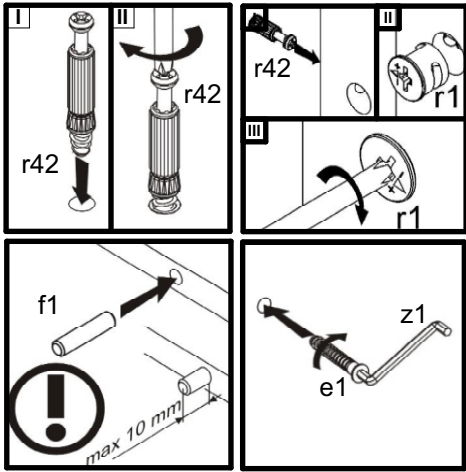
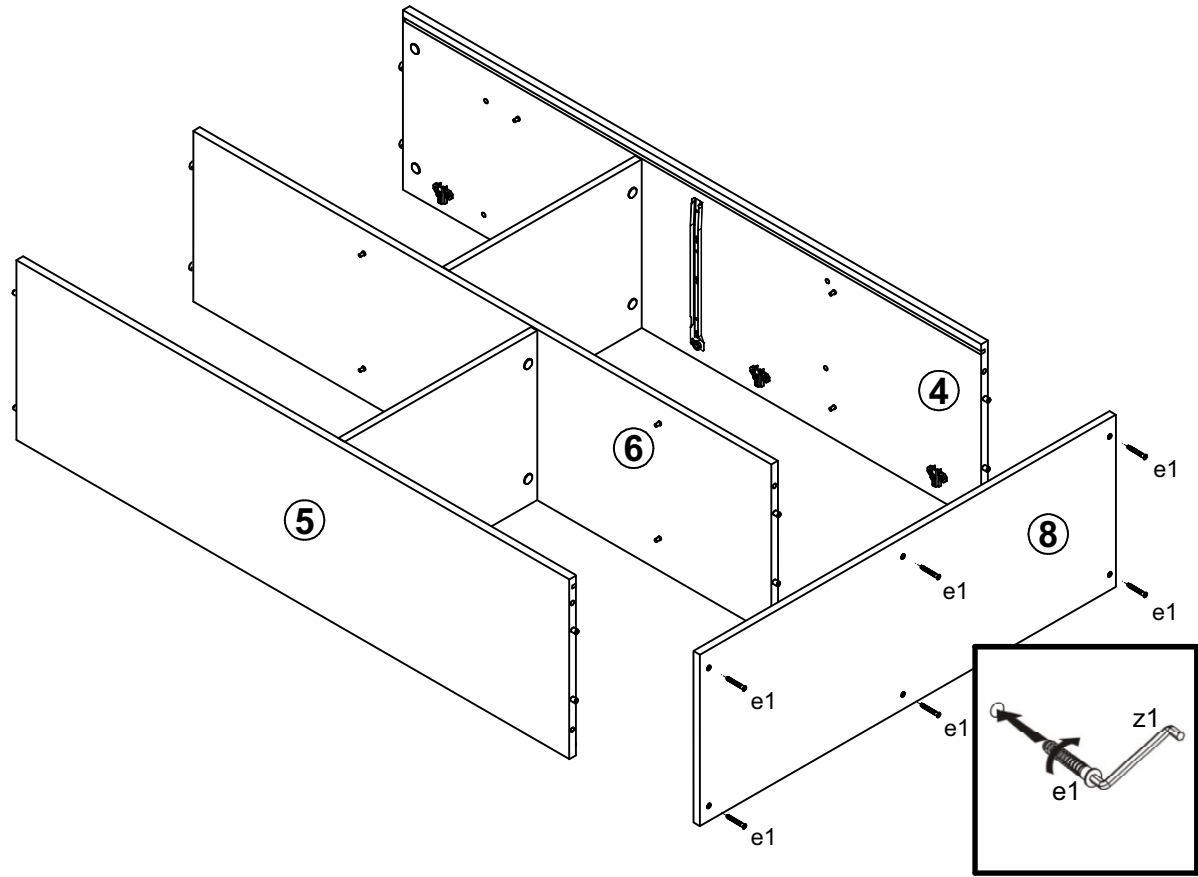
15



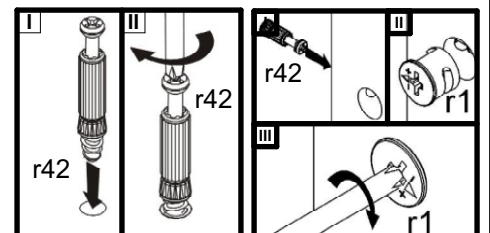
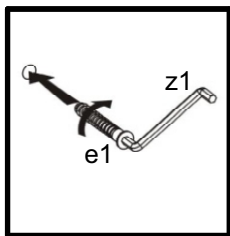
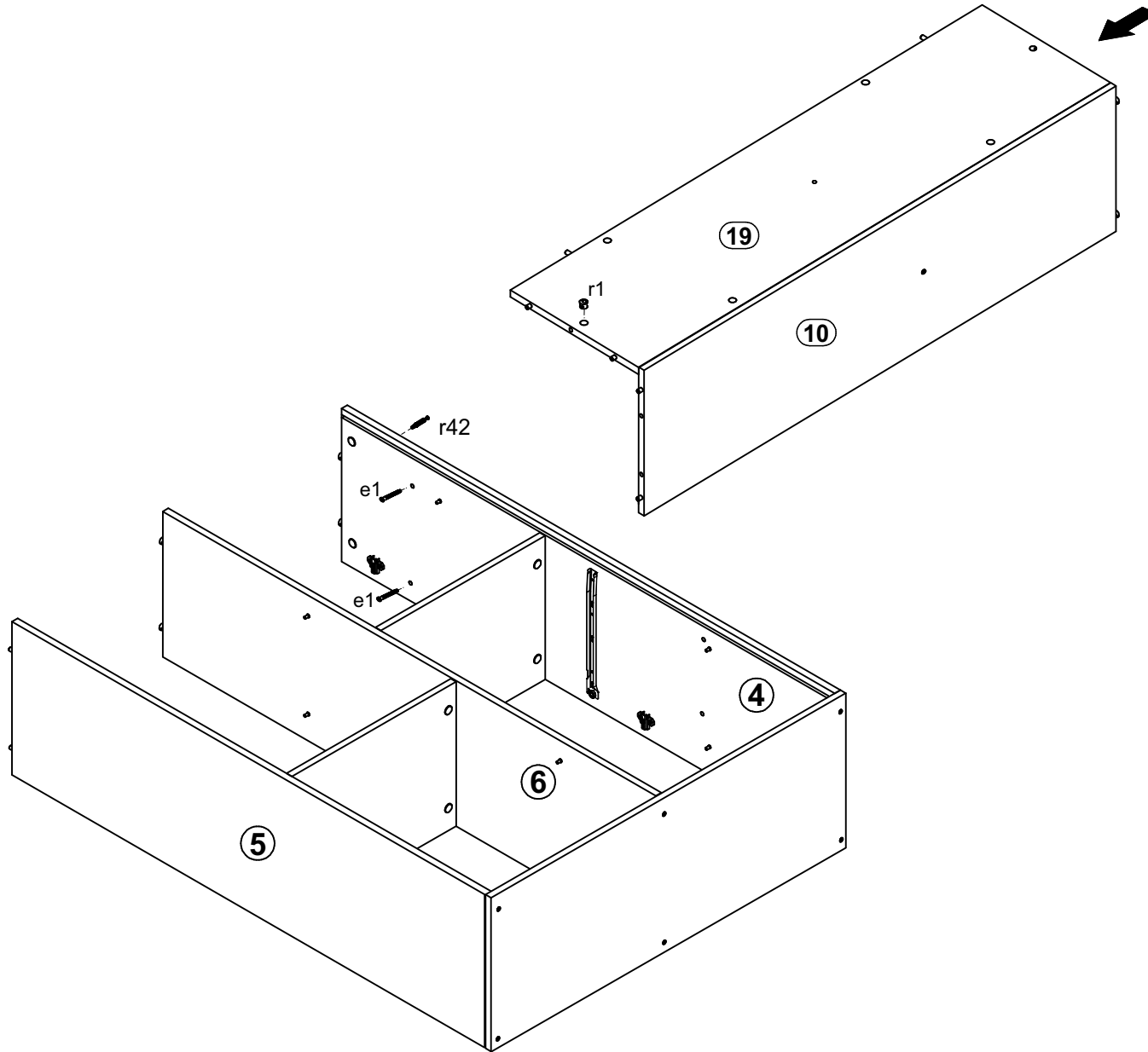
16



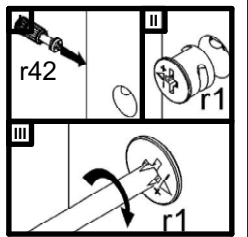
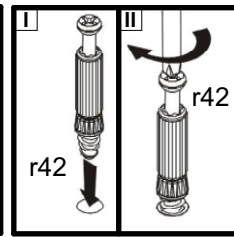
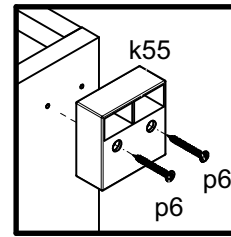
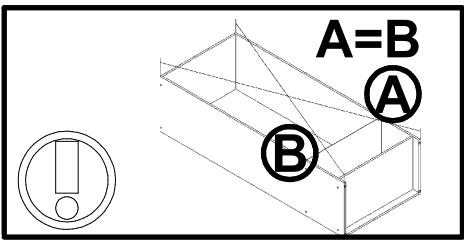
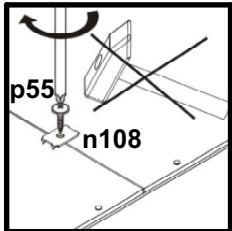
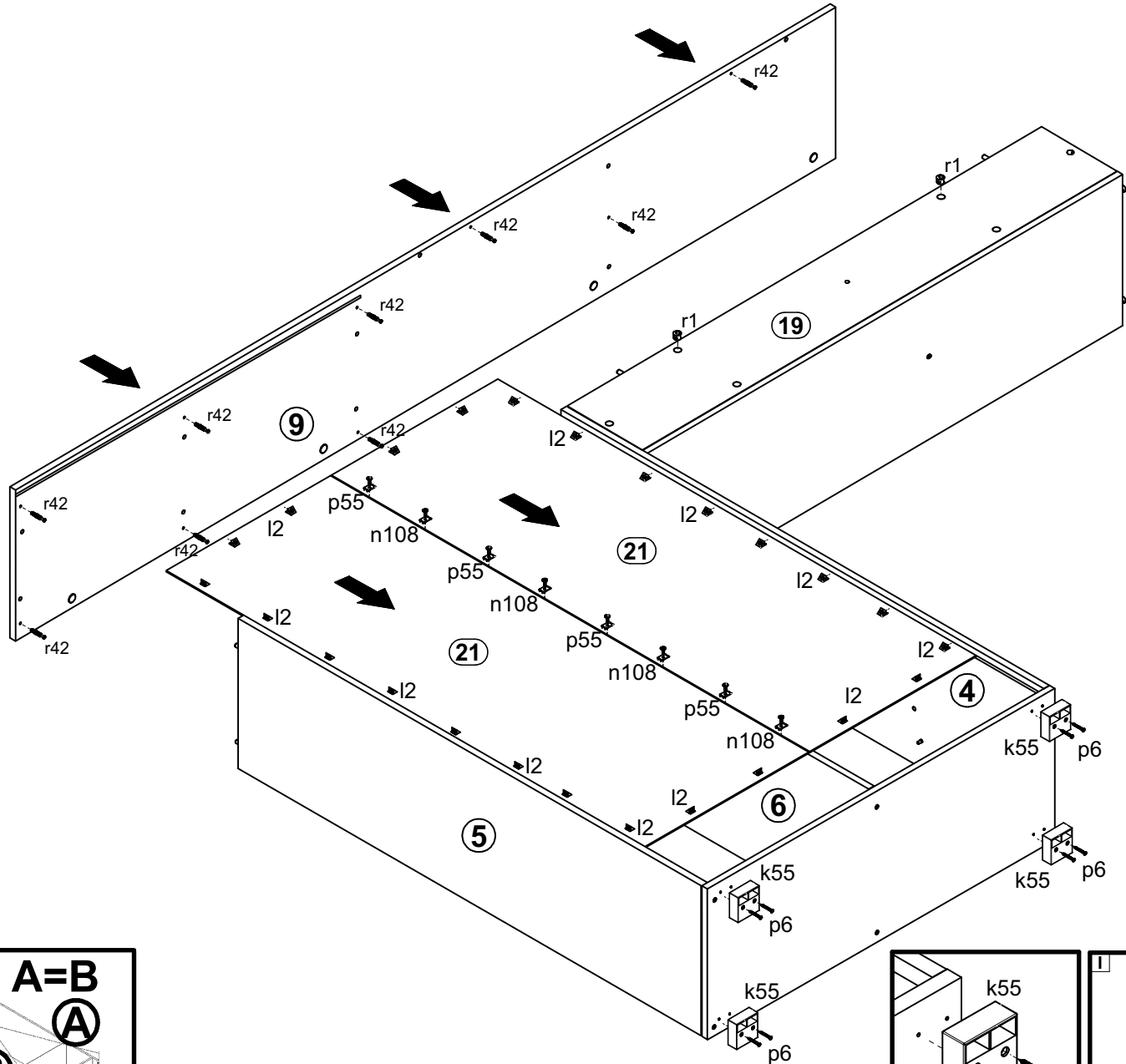
17



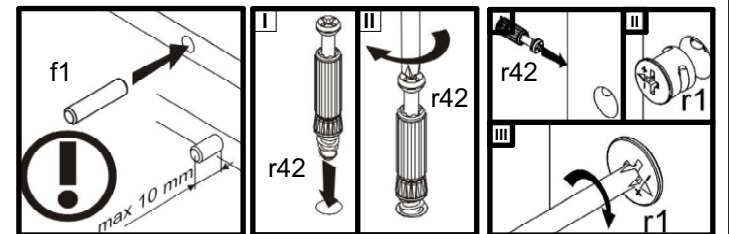
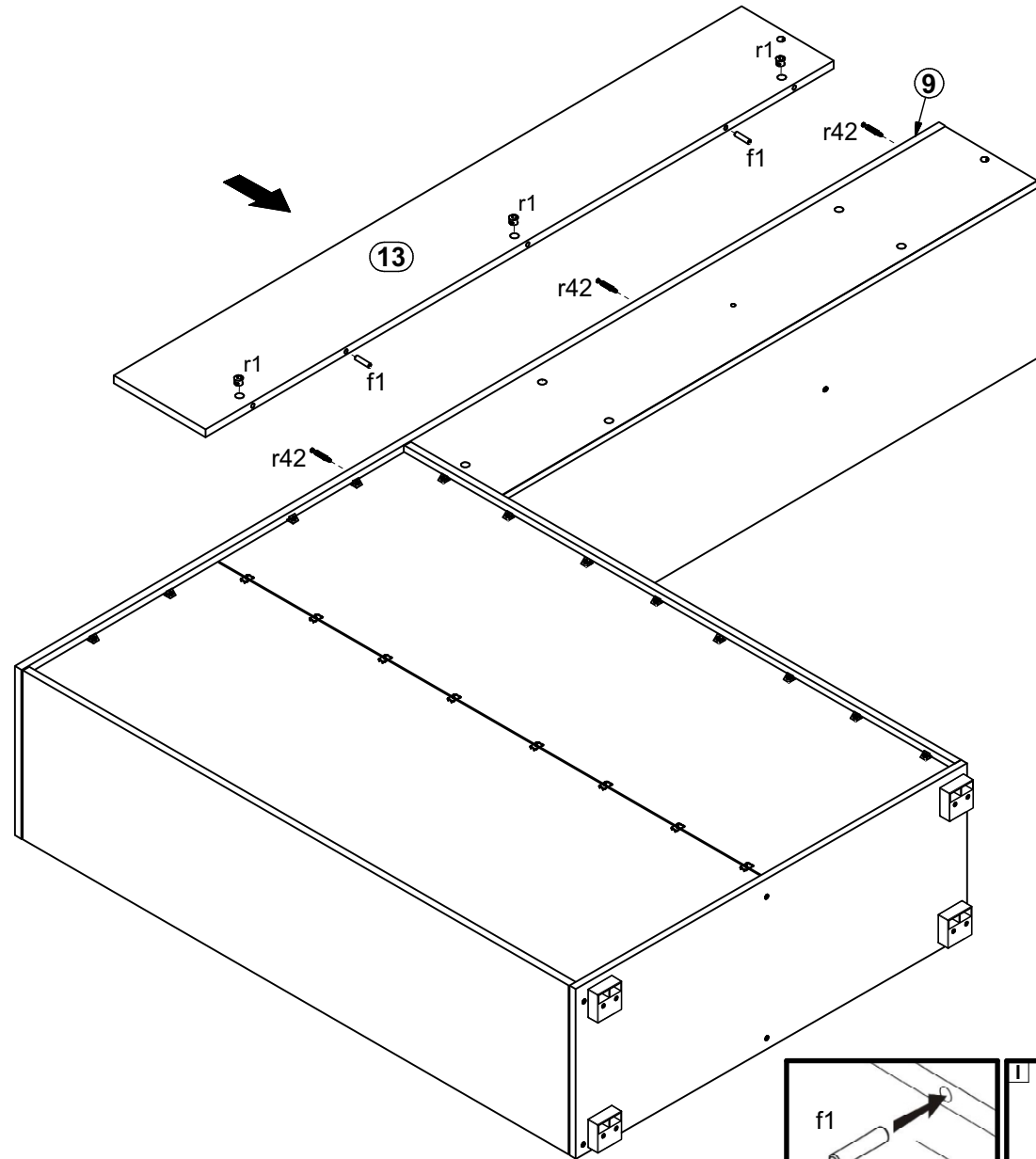
18



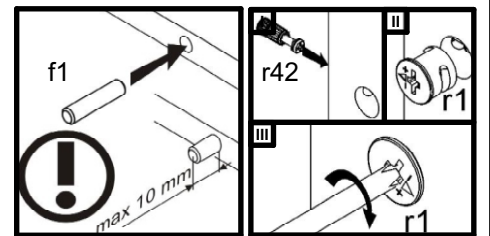
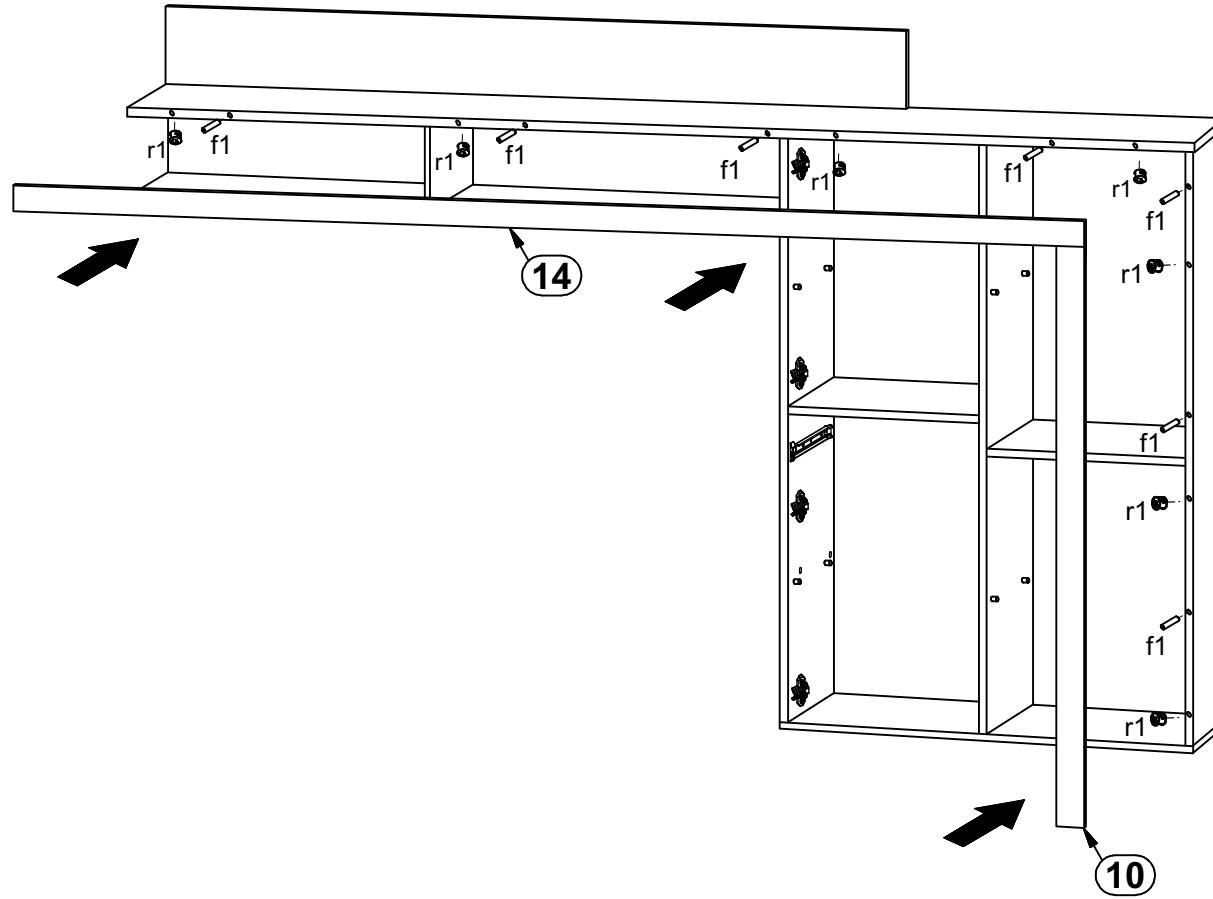
18



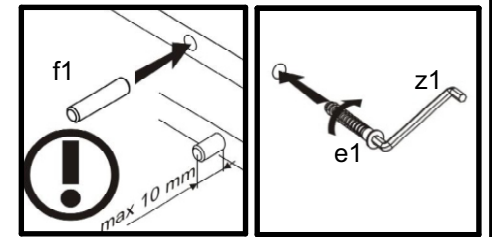
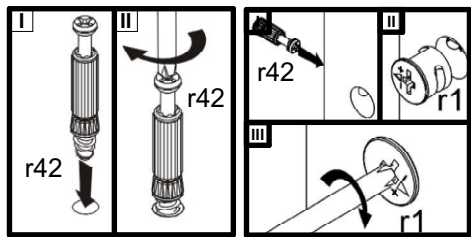
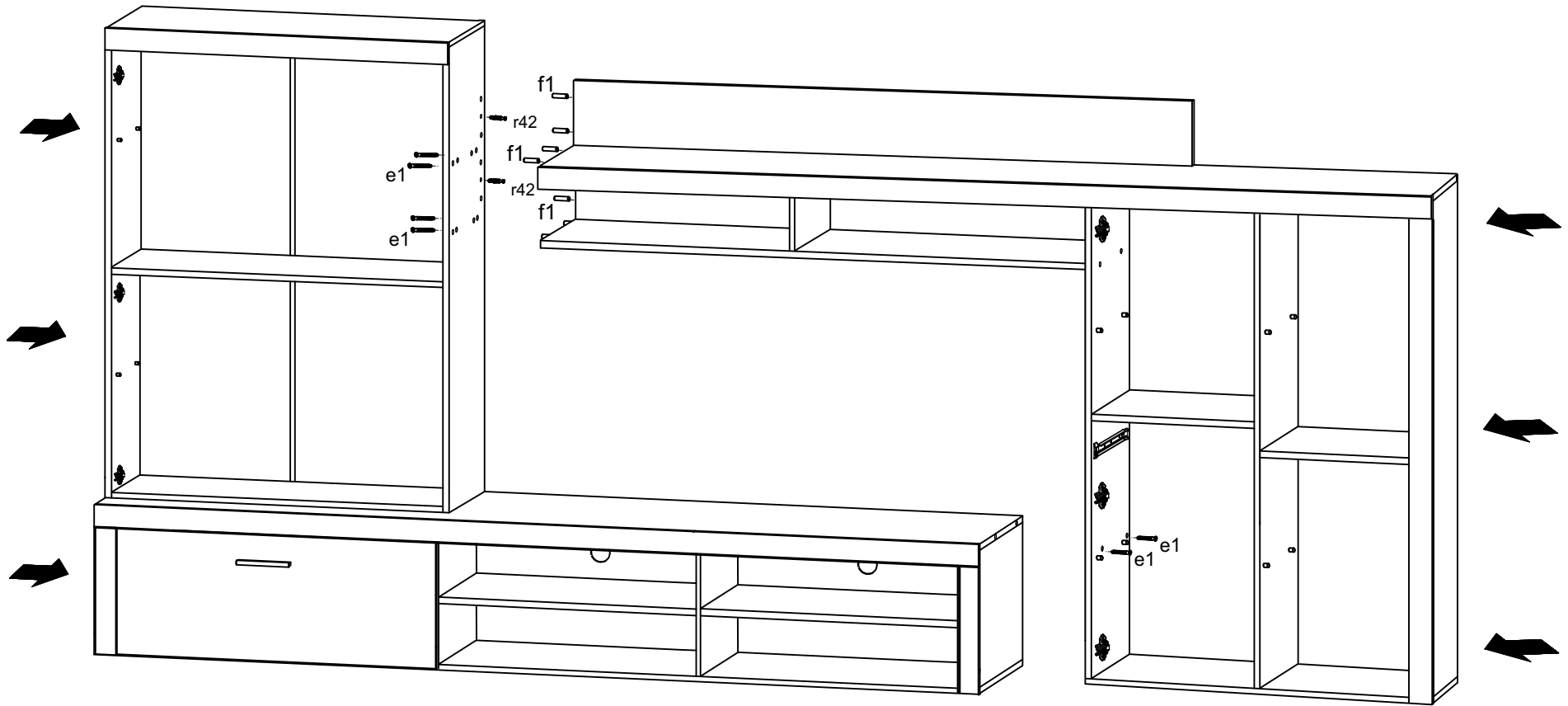
19



20



21



22

