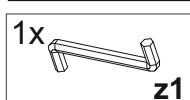
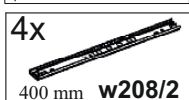
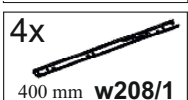
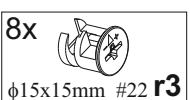
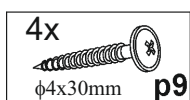
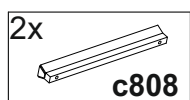
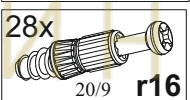
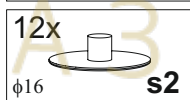
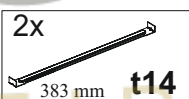
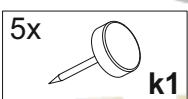
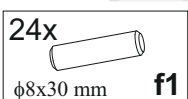
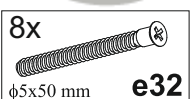
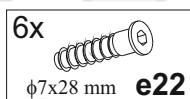
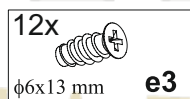
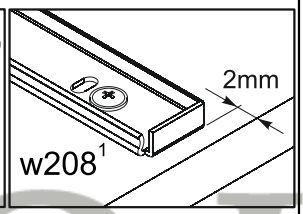
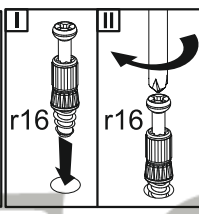
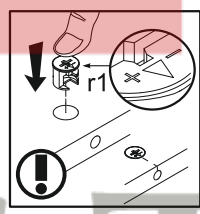
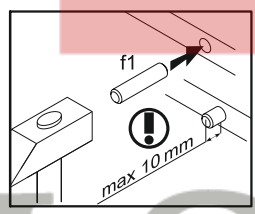
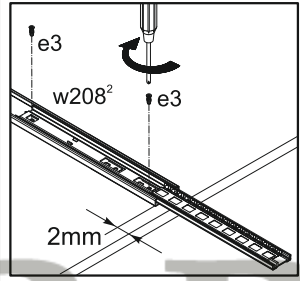
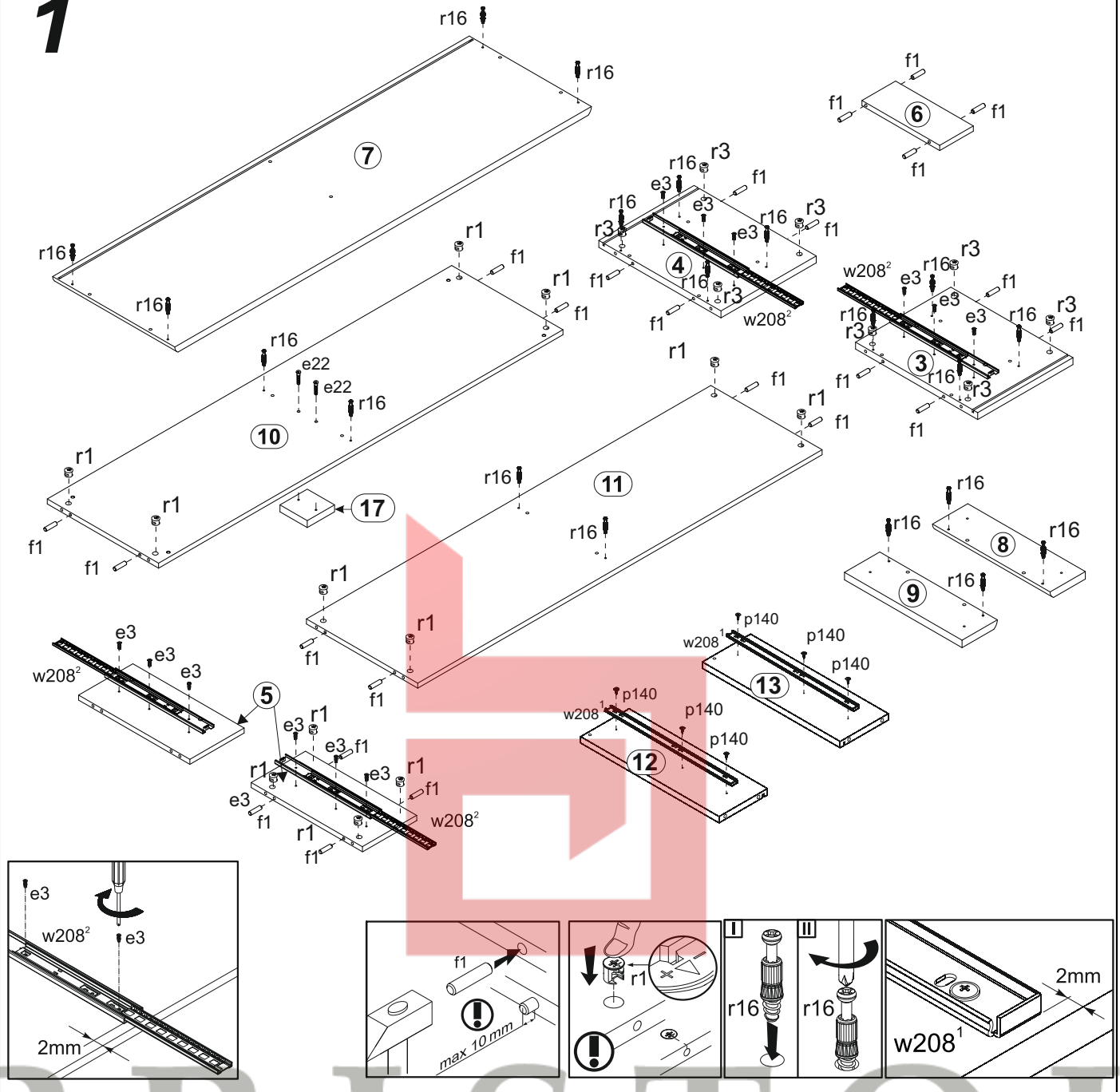


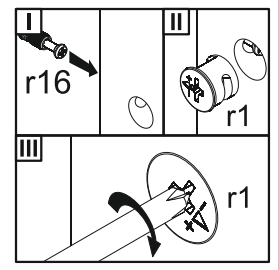
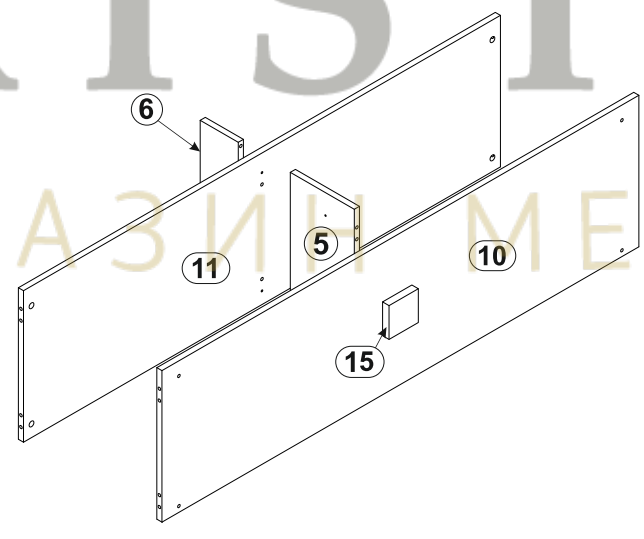
A	B	C		D	9	BK1-202	120	450	1/2
1	BK1-001	740	220	2/2	10	BK1-301	1490	410	1/2
2	BK1-002	740	220	2/2	11	BK1-302	1490	410	1/2
3	BK1-101	351	450	1/2	12	BK1-551	400	160	1/2
4	BK1-102	351	450	1/2	13	BK1-552	400	160	1/2
5	BK1-103	200	410	1/2	14	BK1-553	679	160	1/2
6	BK1-104	119	275	1/2	15	BK1-901	694	399	1/2
7	BK1-203	1535	450	1/2	16	BK1-902	1504	356	1/2
8	BK1-201	120	450	1/2	17	BK1-408	100	100	1/2



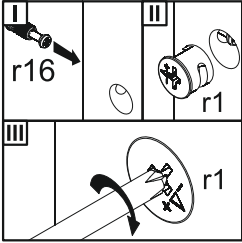
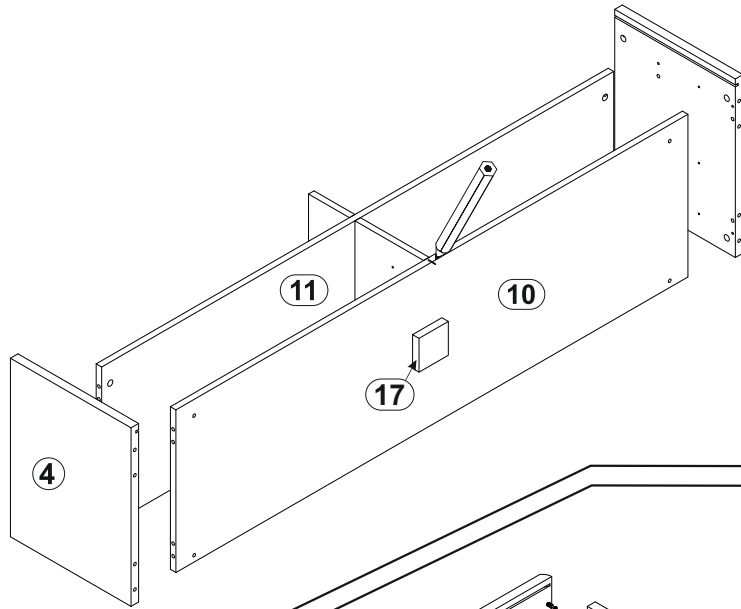
# 1



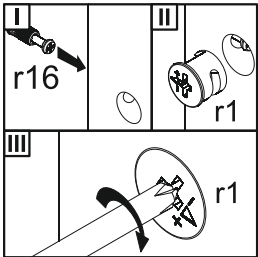
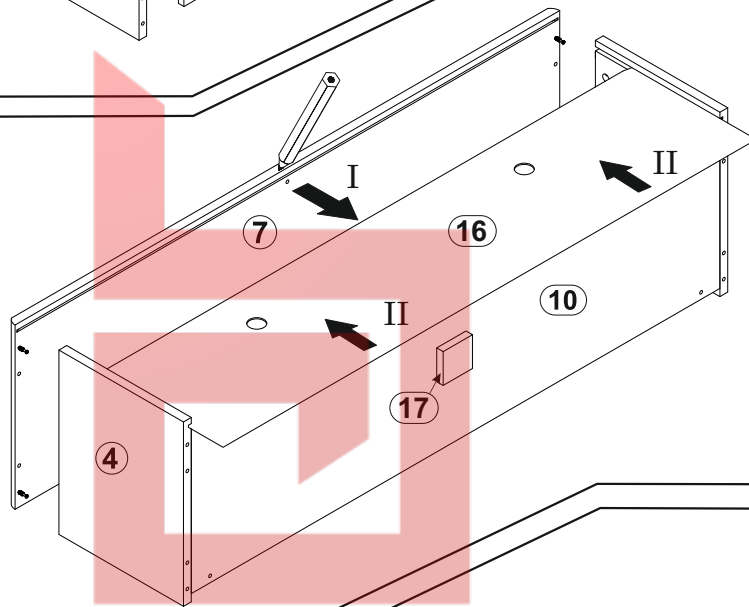
# 2



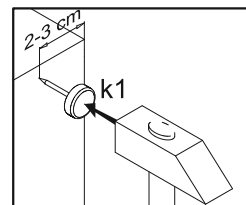
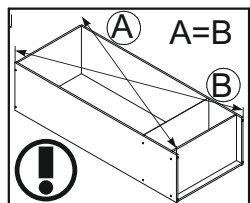
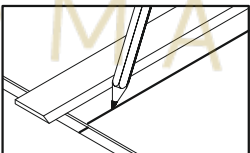
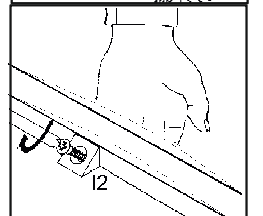
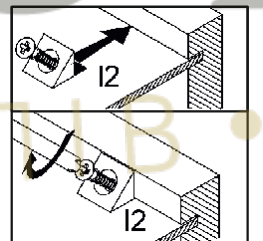
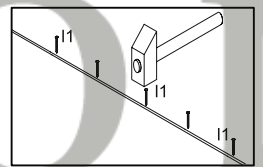
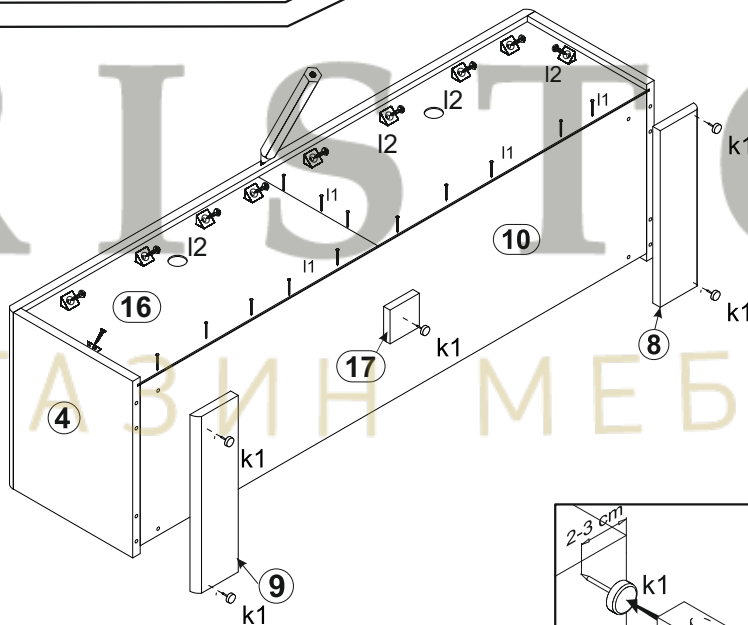
# 3



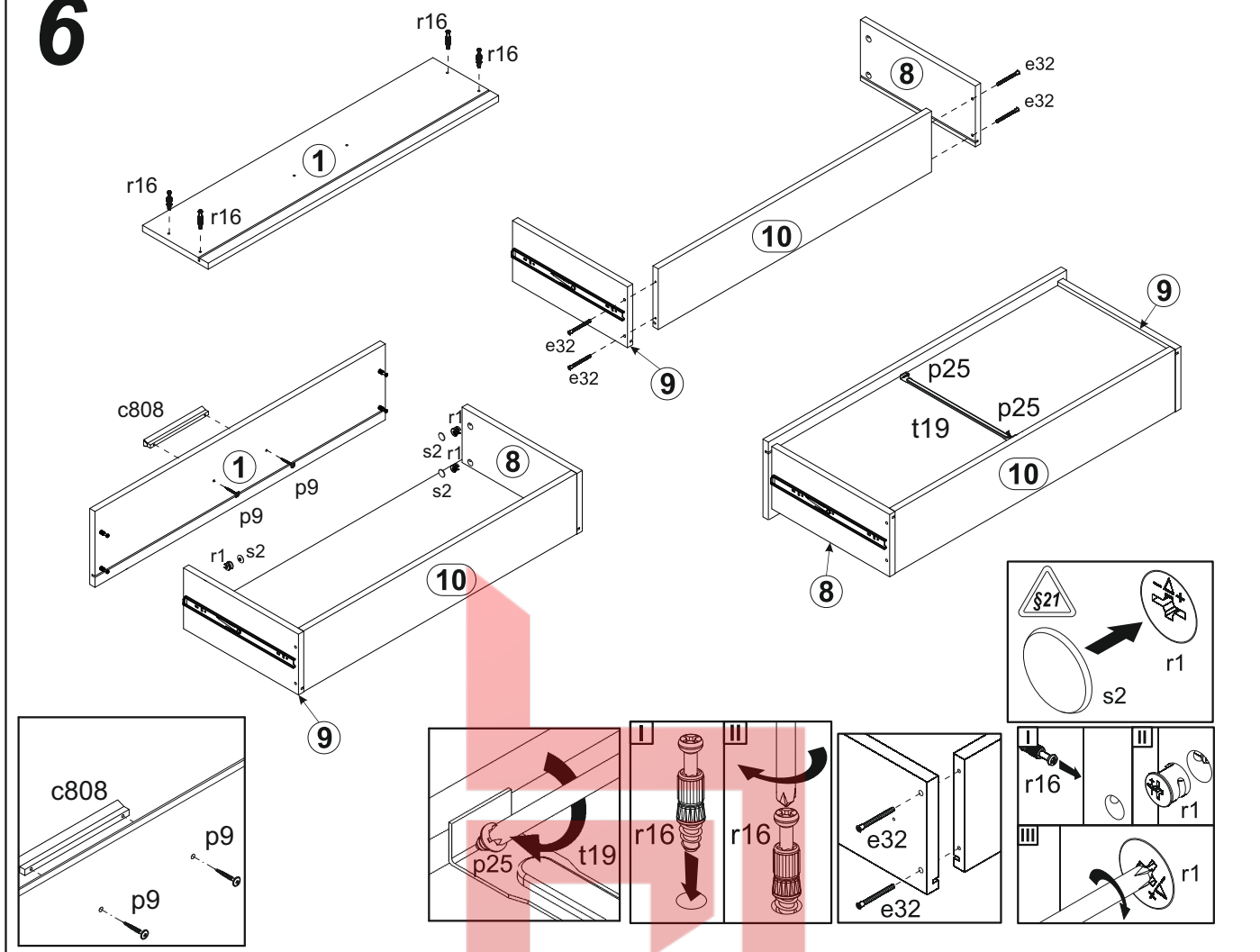
# 4



# 5



# 6



# 7

