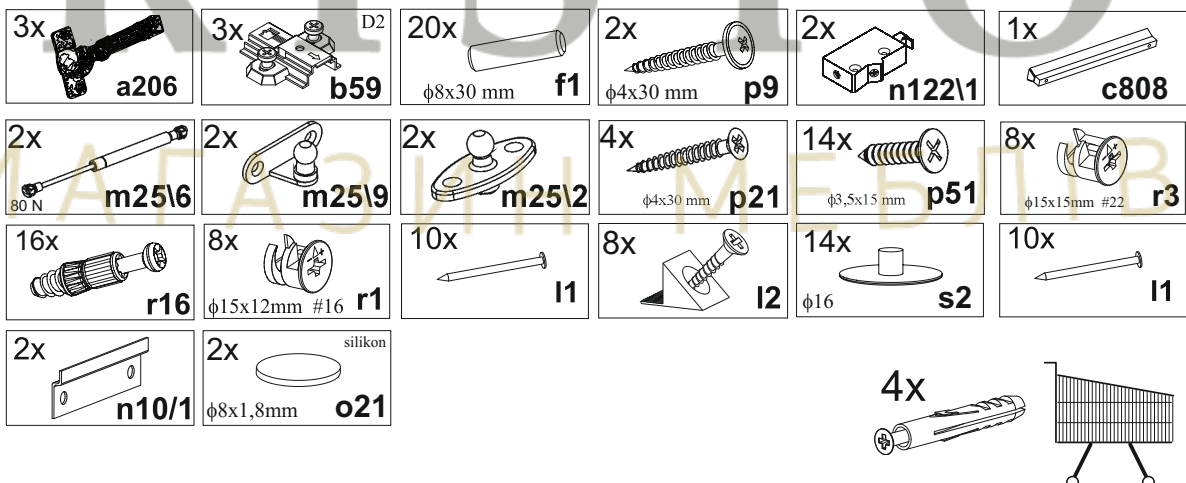
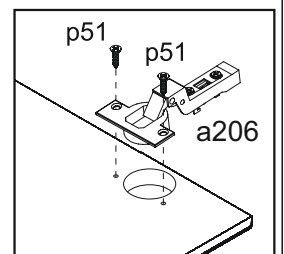
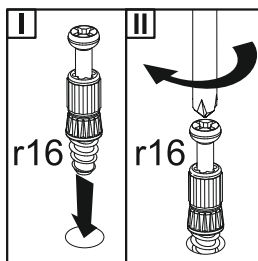
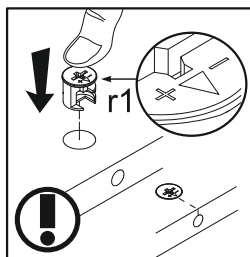
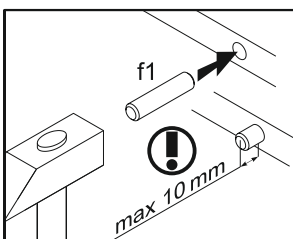
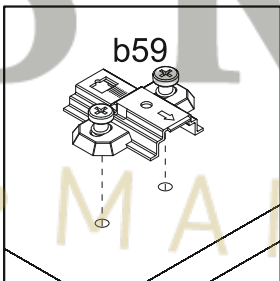
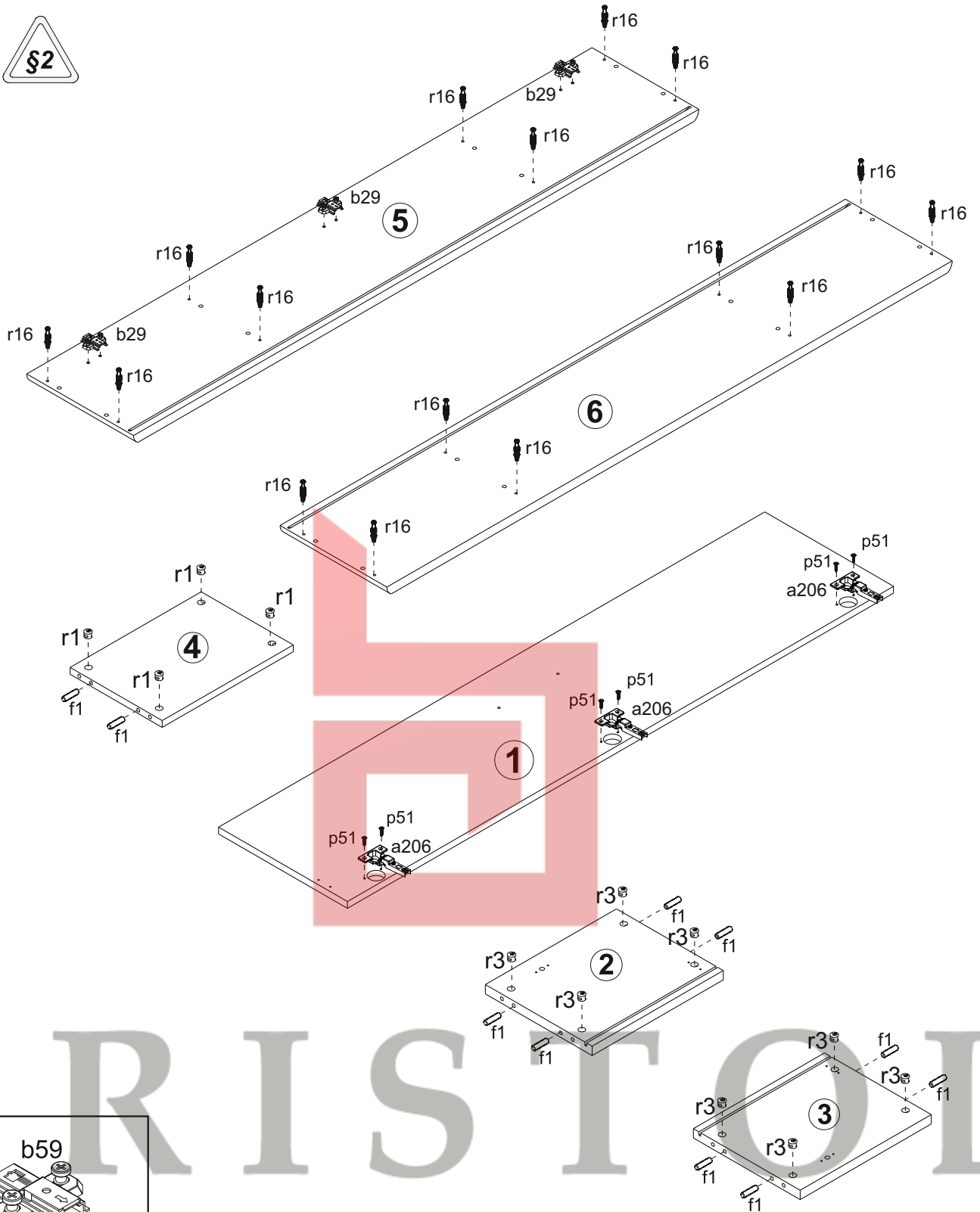


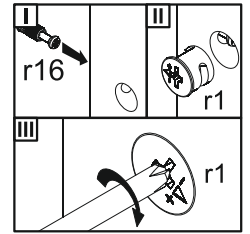
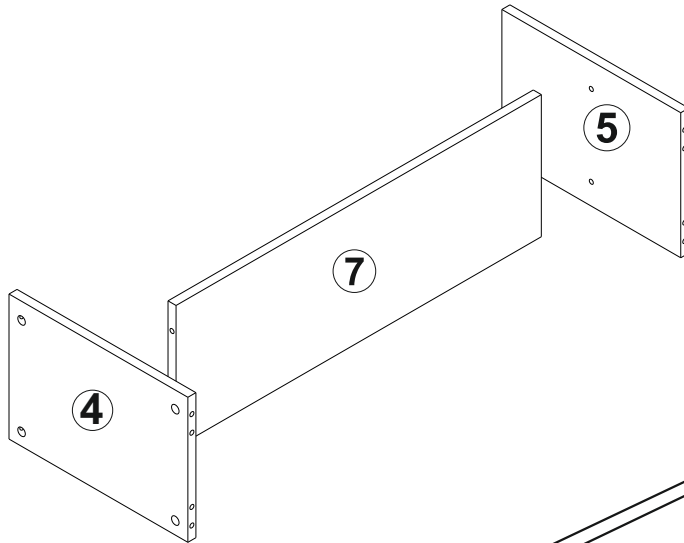
A	B	C	D	
1	BK1-010	1483	350	2/2
2	BK1-110	356	290	1/2
3	BK1-111	356	290	1/2
4	BK1-112	356	250	1/2
5	BK1-208	1535	290	1/2
6	BK1-209	1535	290	1/2
7	BK1-310	727	245	1/2
8	BK1-908	1504	370	2/2



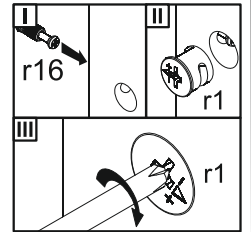
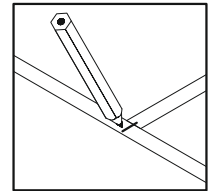
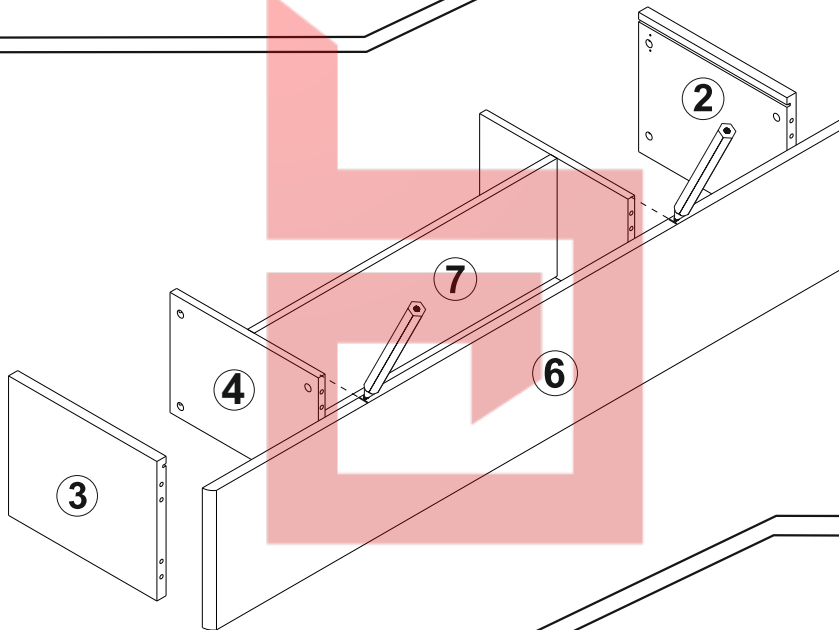
**1** 



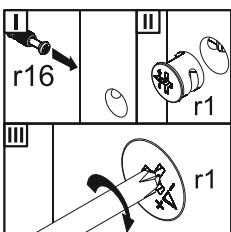
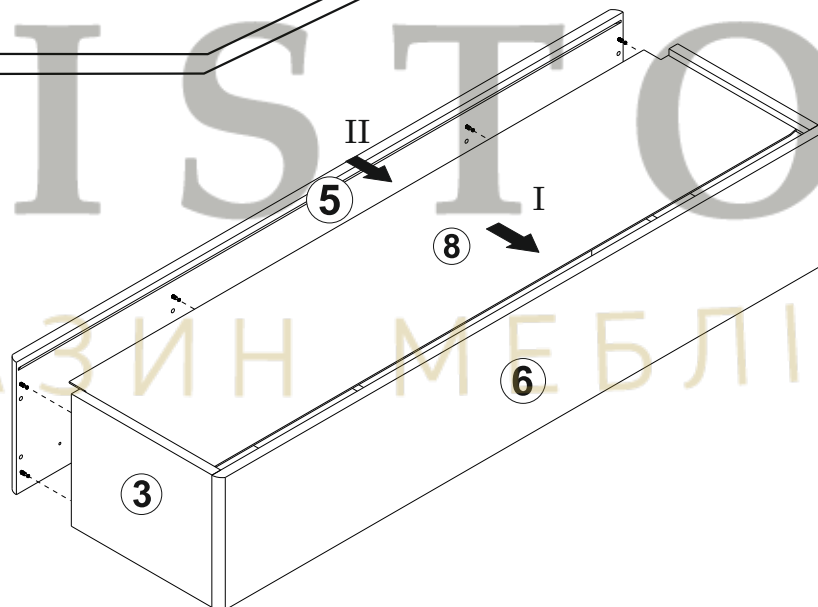
# 2



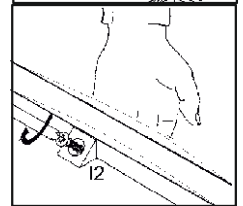
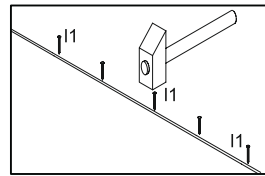
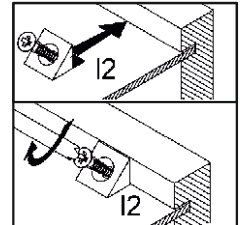
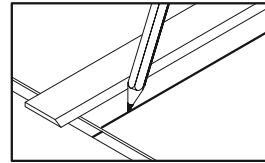
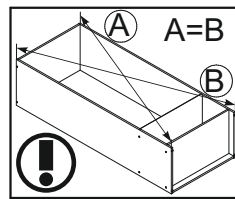
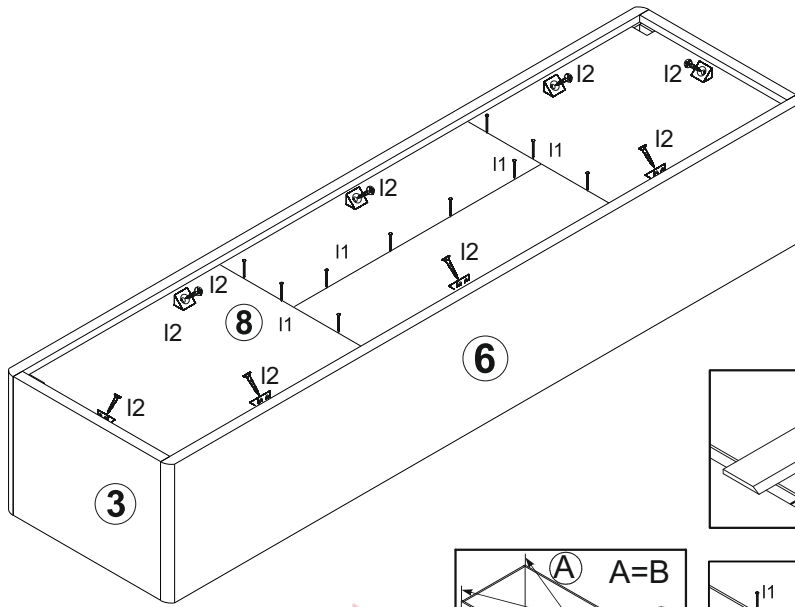
# 3



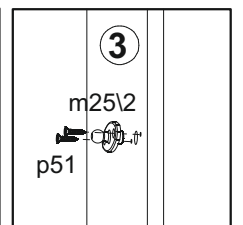
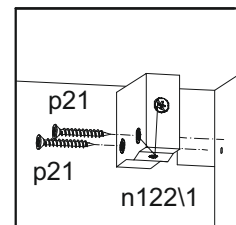
# 4



# 5



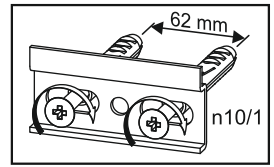
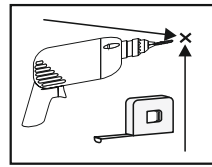
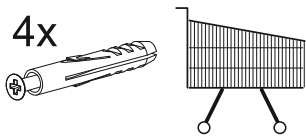
# 6



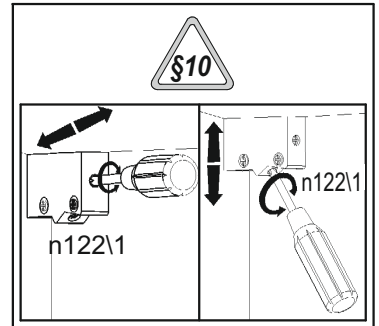
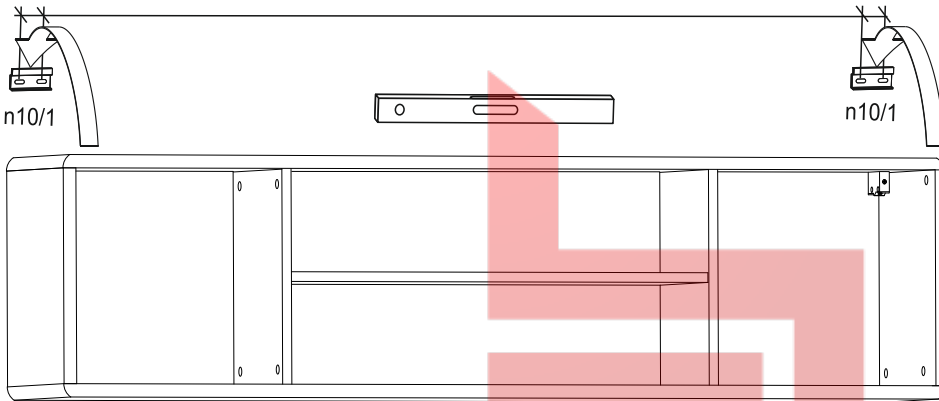
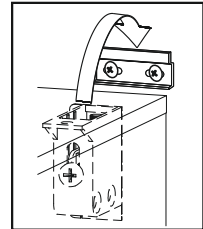
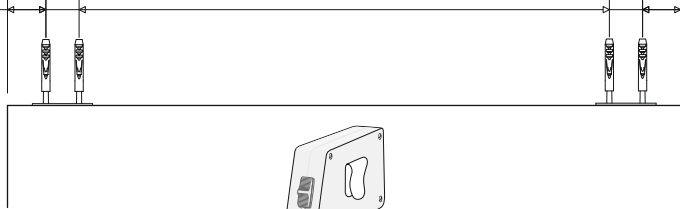
# 7



4x



25 mm 62mm 1361mm 62mm 25 mm



# 8

c808

