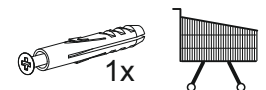
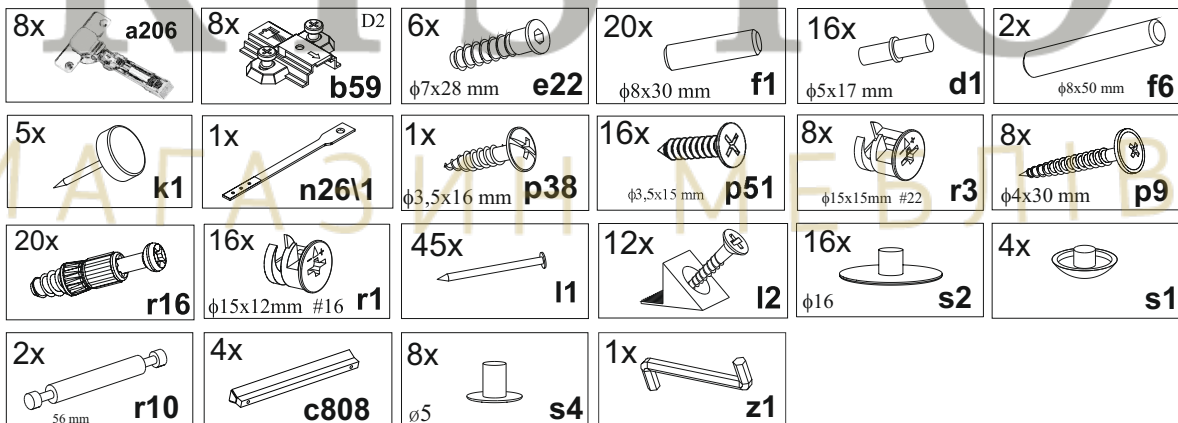
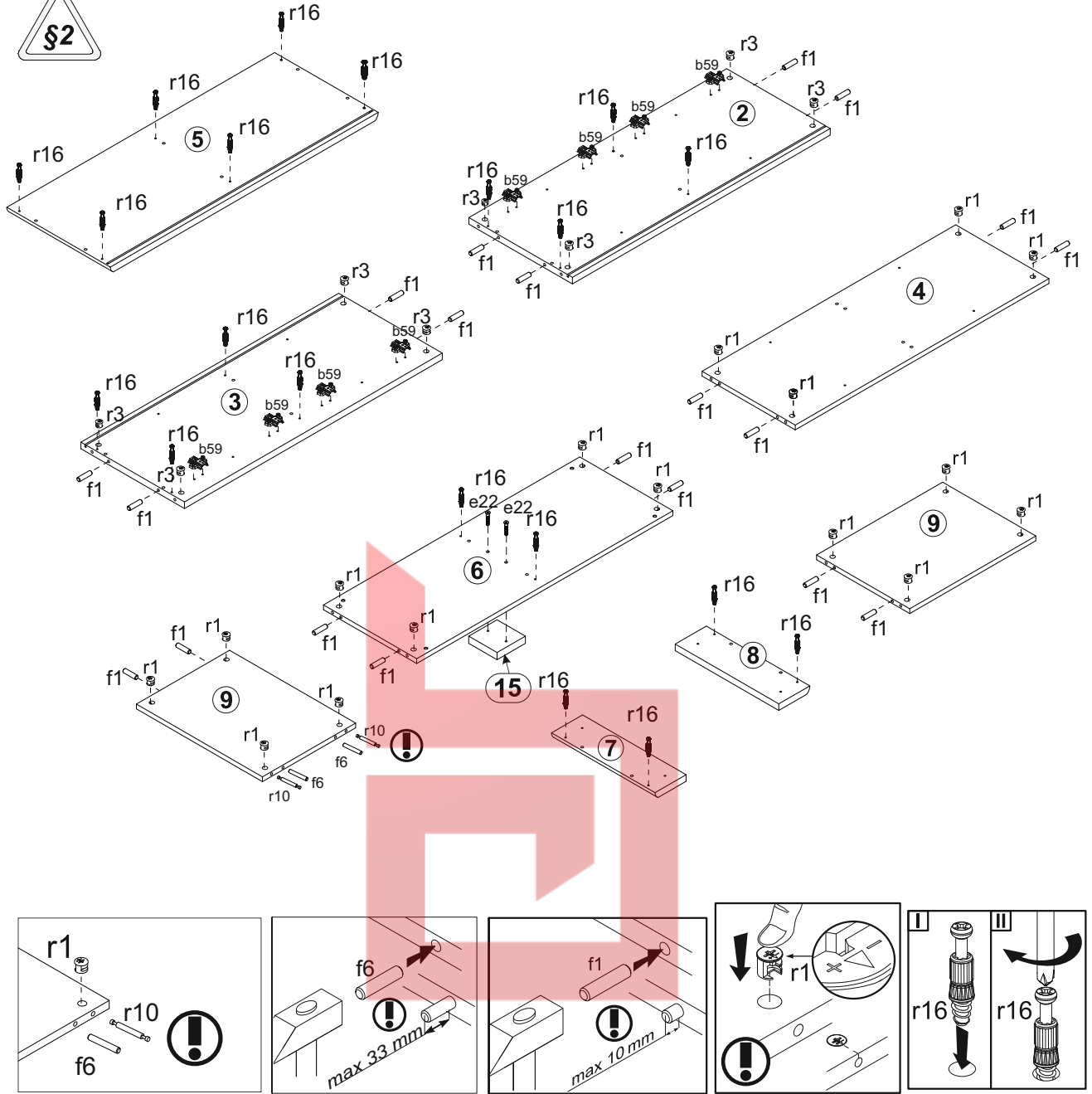


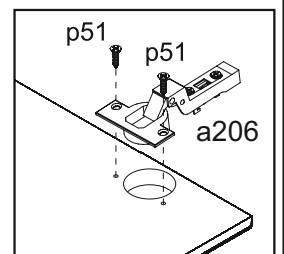
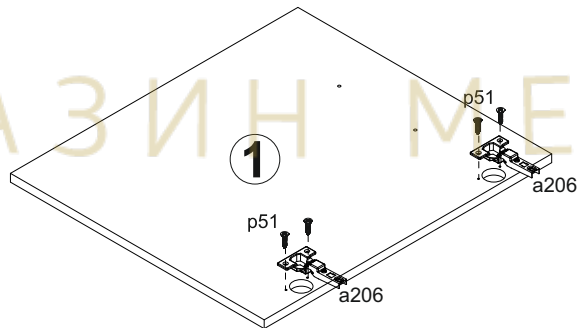
A	B	C		D	8	BK1-205	120	400	1/2
1	BK1-003	490	490	2/2	9	BK1-304	487	360	1/2
2	BK1-105	996	400	1/2	10	BK1-305	487	350	1/2
3	BK1-106	996	400	1/2	11	BK1-903	250	1000	1/2
4	BK1-107	980	360	1/2	12	BK1-904	250	1000	1/2
5	BK1-206	1035	400	1/2	13	BK1-905	250	1000	1/2
6	BK1-303	990	360	1/2	14	LH-979	979	14	1/2
7	BK1-204	120	400	1/2	15	BK1-408	100	100	1/2



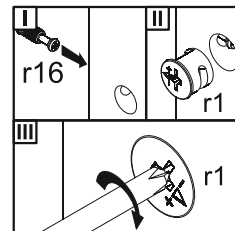
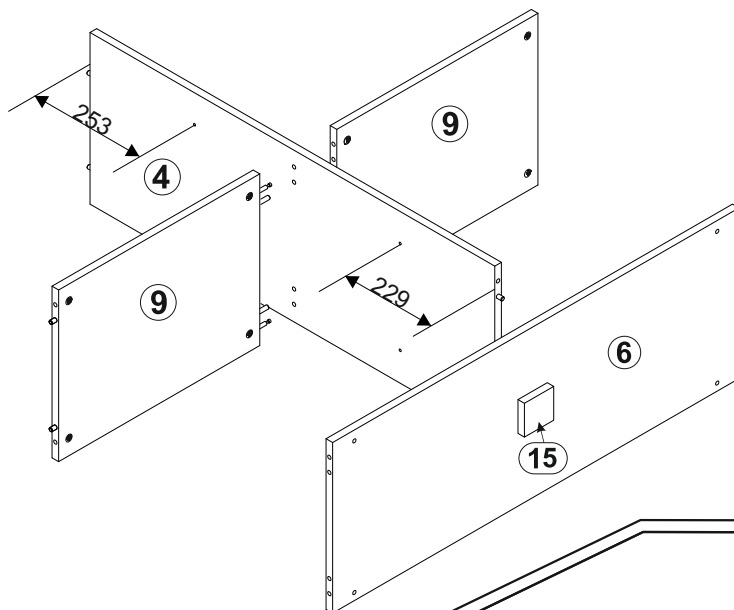
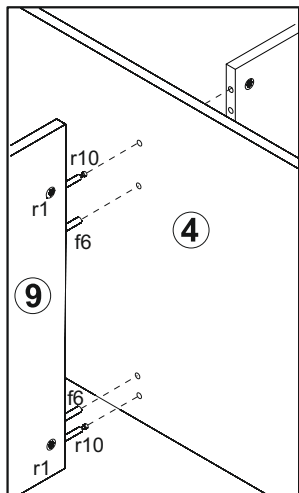
1



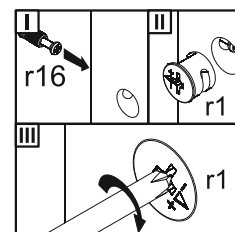
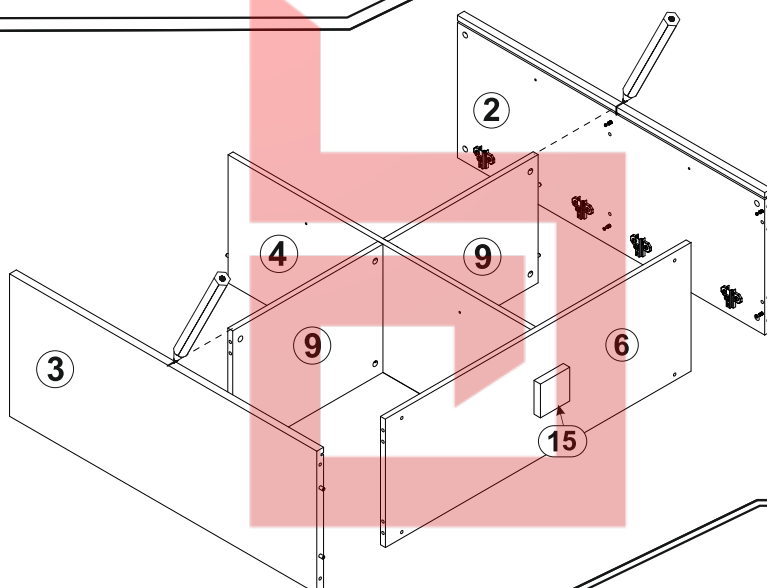
2



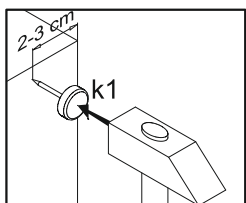
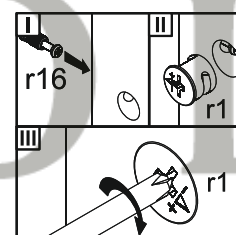
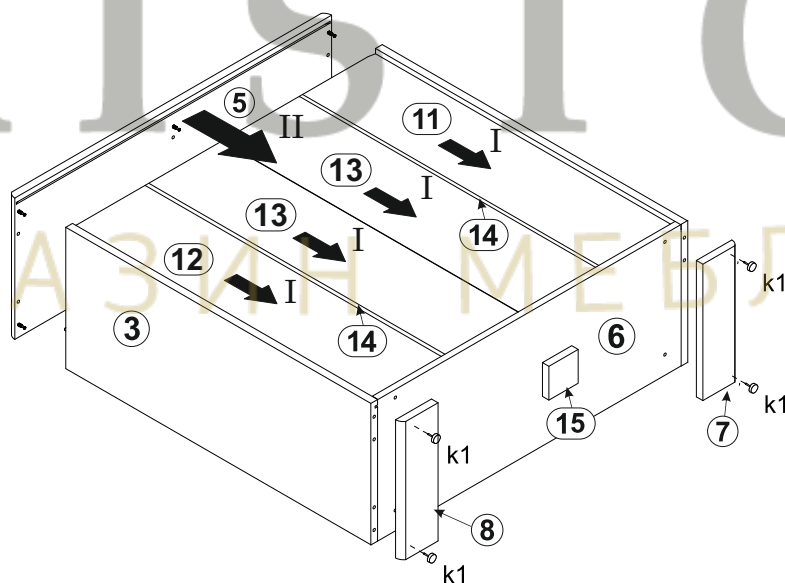
3



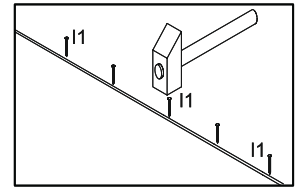
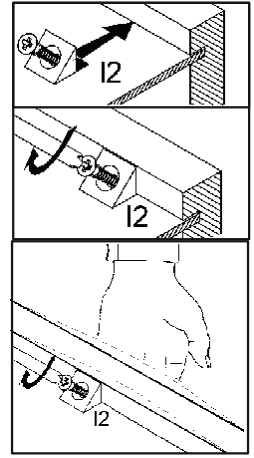
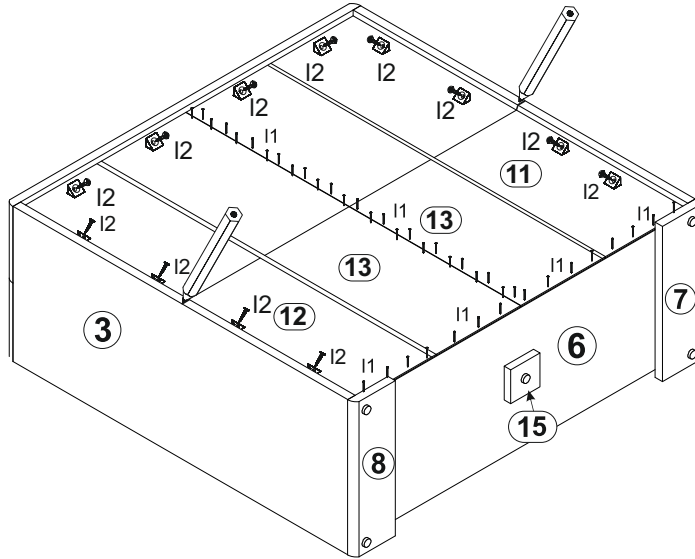
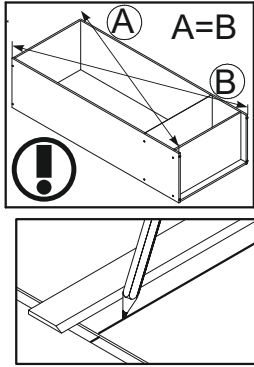
4



5



6



7

