

| A | B | C | D |
|----|---------|-----|-----|
| 1 | LN1-110 | 262 | 410 |
| 2 | LN1-111 | 119 | 410 |
| 3 | LN1-114 | 159 | 410 |
| 4 | LN1-115 | 302 | 410 |
| 5 | LN1-212 | 494 | 410 |
| 6 | LN1-214 | 494 | 410 |
| 7 | LN1-215 | 984 | 410 |
| 8 | LN1-217 | 984 | 410 |
| 9 | LN1-506 | 400 | 85 |
| 10 | LN1-507 | 400 | 85 |
| 11 | LN1-508 | 419 | 71 |

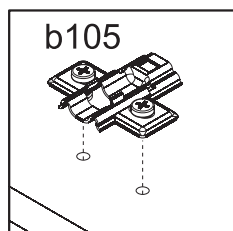
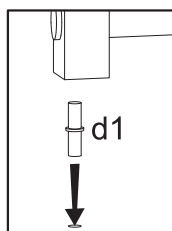
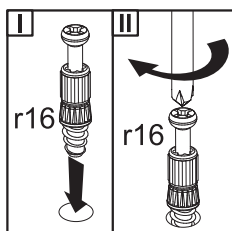
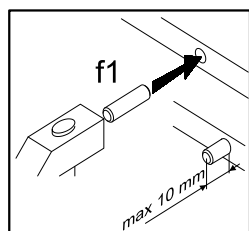
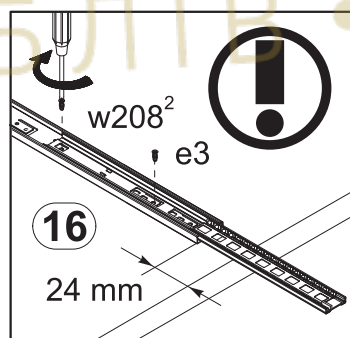
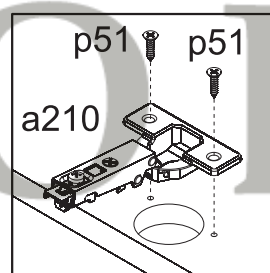
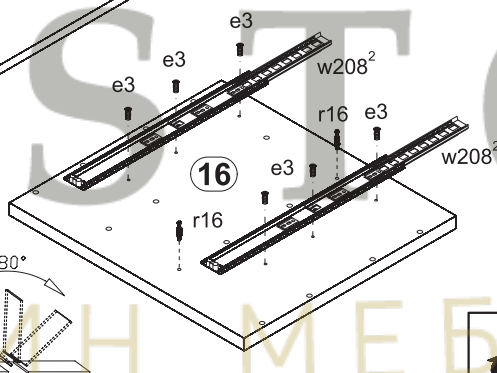
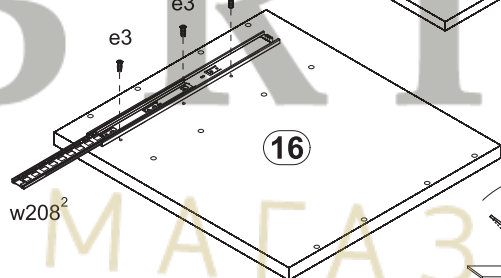
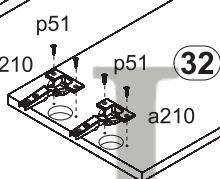
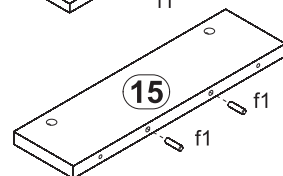
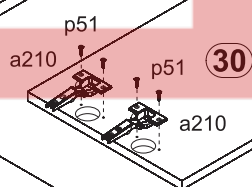
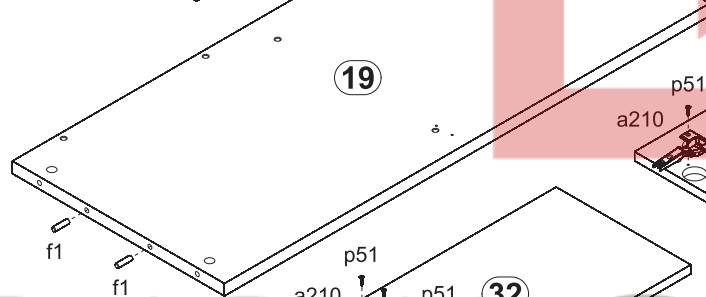
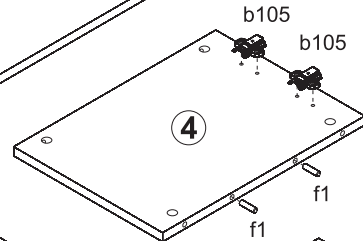
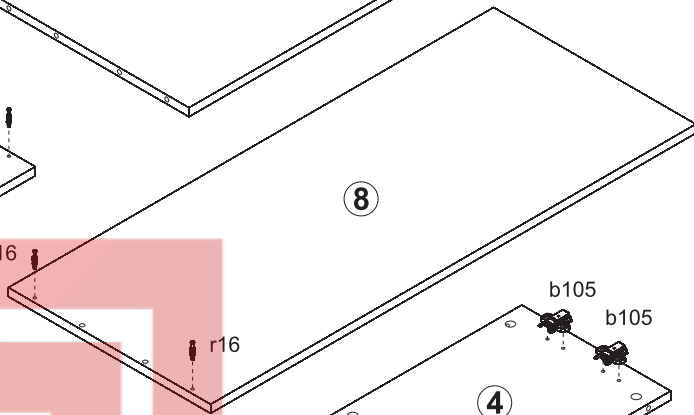
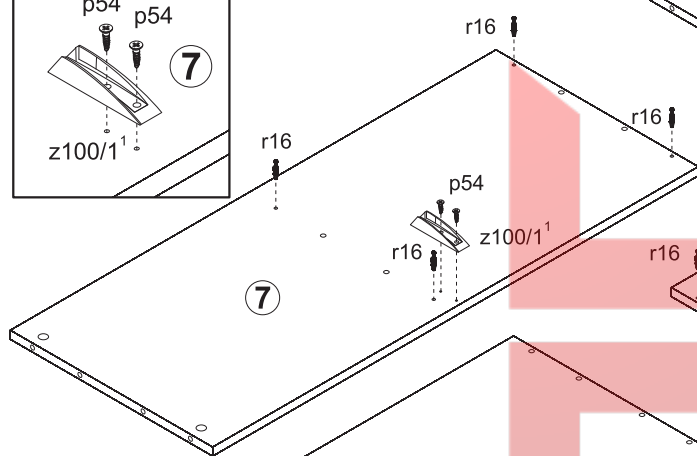
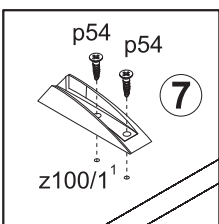
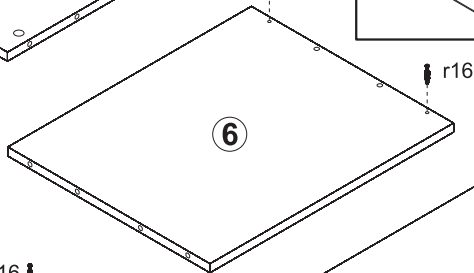
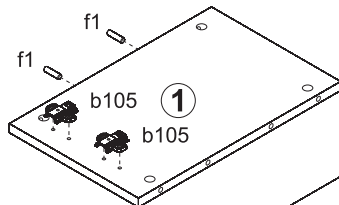
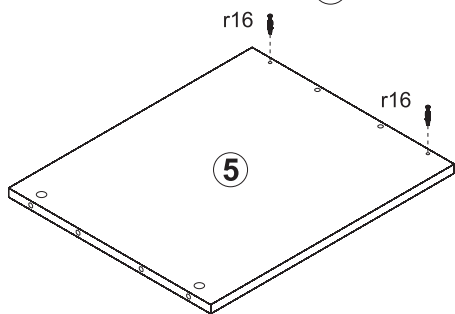
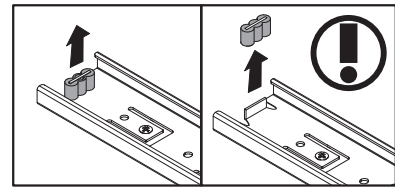
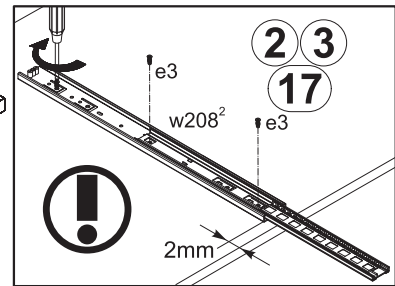
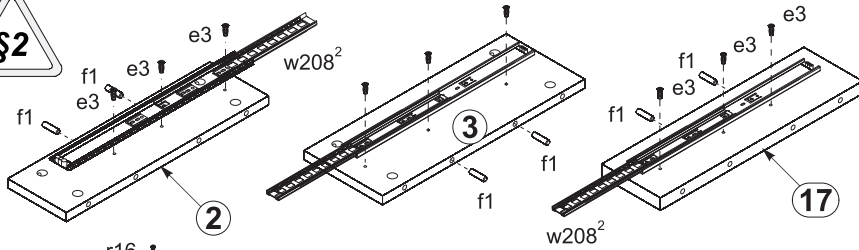
| A | B | C | D |
|----|---------|-----|-----|
| 12 | LN1-509 | 909 | 116 |
| 13 | LN1-510 | 400 | 130 |
| 14 | LN1-511 | 400 | 130 |
| 15 | LN1-112 | 121 | 432 |
| 16 | LN1-113 | 476 | 432 |
| 17 | LN1-116 | 119 | 410 |
| 18 | LN1-213 | 494 | 432 |
| 19 | LN1-216 | 984 | 432 |
| 20 | LN1-218 | 490 | 432 |
| 21 | LN1-403 | 120 | 407 |
| 22 | LN1-911 | 405 | 434 |

| A | B | C | D |
|----|---------|-----|-----|
| 23 | LN1-912 | 143 | 502 |
| 24 | LN1-913 | 326 | 502 |
| 25 | LN1-914 | 183 | 991 |
| 26 | LN1-915 | 285 | 991 |
| 27 | LN1-916 | 405 | 924 |
| 28 | LN1-009 | 130 | 488 |
| 29 | LN1-010 | 130 | 488 |
| 30 | LN1-011 | 313 | 488 |
| 31 | LN1-012 | 170 | 978 |
| 32 | LN1-013 | 273 | 488 |
| 33 | LN1-512 | 410 | 71 |
| 34 | LN1-920 | 405 | 425 |

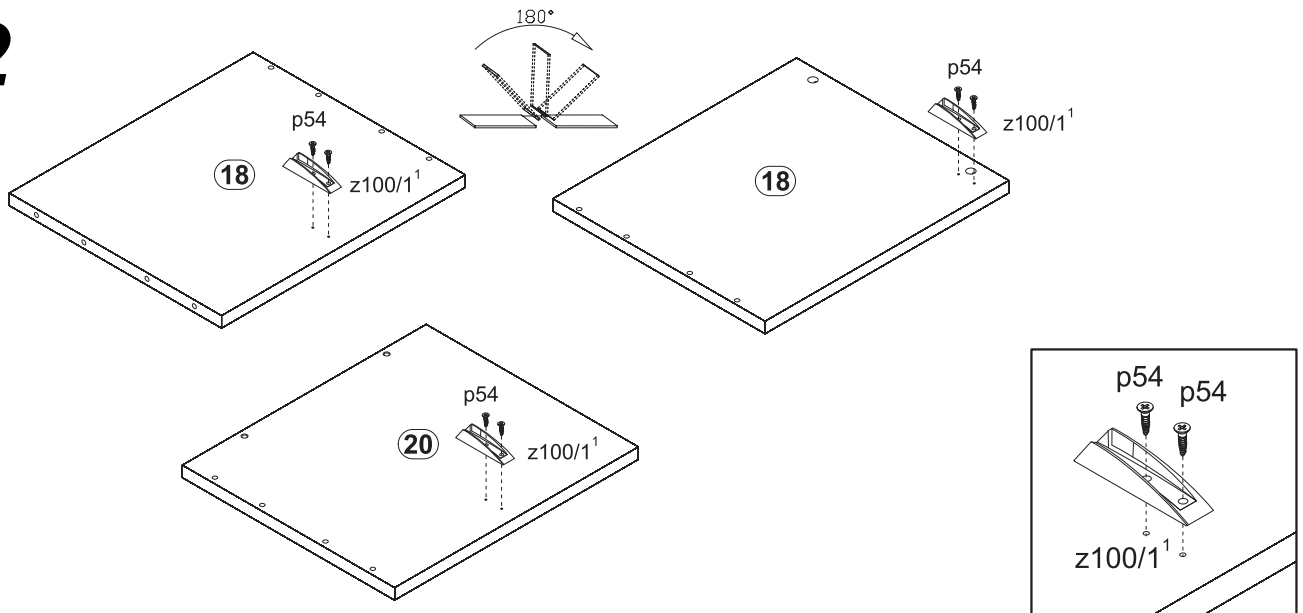


| | | | | | | | |
|------------------------|----------------------------|------------------------|---------------------------------|---------------------------------|-------------------------|-------------------------|------------------------|
| 4x a210 | 4x b105 | 6x e1 φ7x50 mm | 18x e3 φ6x13 mm | 12x e32 φ5x50 mm | 14x f1 φ8x30 mm | 12x f6 φ8x50 mm | 5x k55 60x60/25 mm |
| 70x l1 | 12x n108 20x13x3,5/1mm | 1x o60/1 x1.8W | 1x o60/2 | 1x o60/3 | 10x p6 φ4x35 mm | 1x p25 φ3,5x16 mm | 1x p35 φ3,5x10 mm |
| 13x p38 φ3,5x16 mm | 8x p51 φ3,5x15 mm | 12x p55 φ2,9x16 mm | 18x p140 φ3,5x12 mm | 36x r1 φ15x12mm #16 | 12x r3 φ15x15mm #22 | 12x r10 | 24x r16 20/9 |
| 18x s2 φ16 | 6x s2 φ16 | 1x t33 400 mm | 6x w208 ¹ 400 mm | 6x w208 ² 400 mm | 1x z1 | | |
| | | 15x p54 φ3x12 mm | 5x z100/1 ¹ | 5x z100/1 ² | 5x z100/1 ³ | 5x z100/1 ⁴ | |

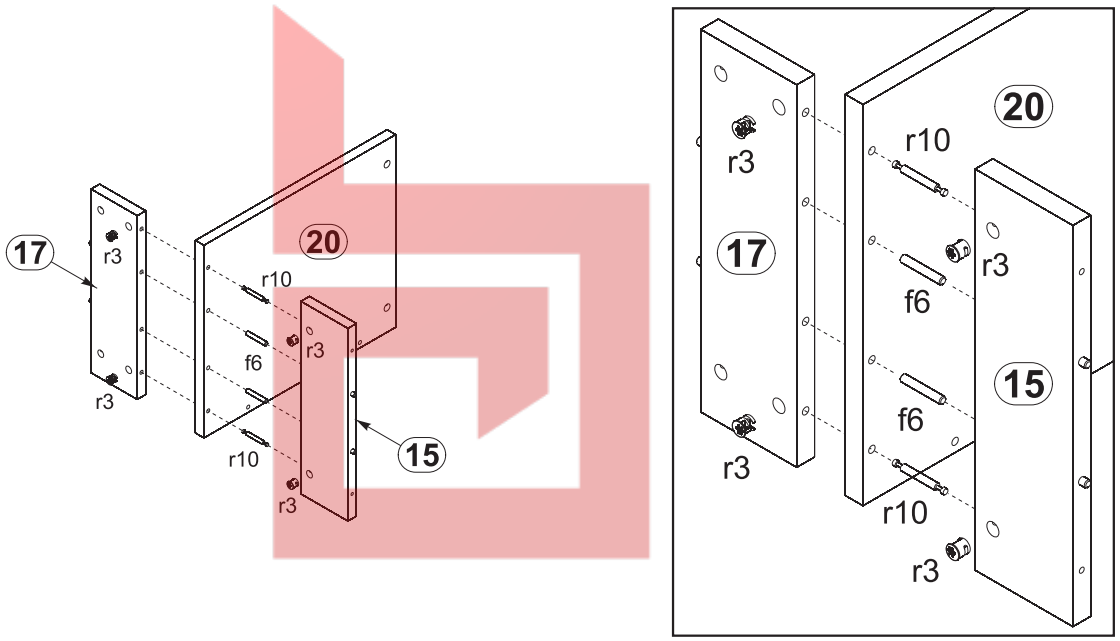
1



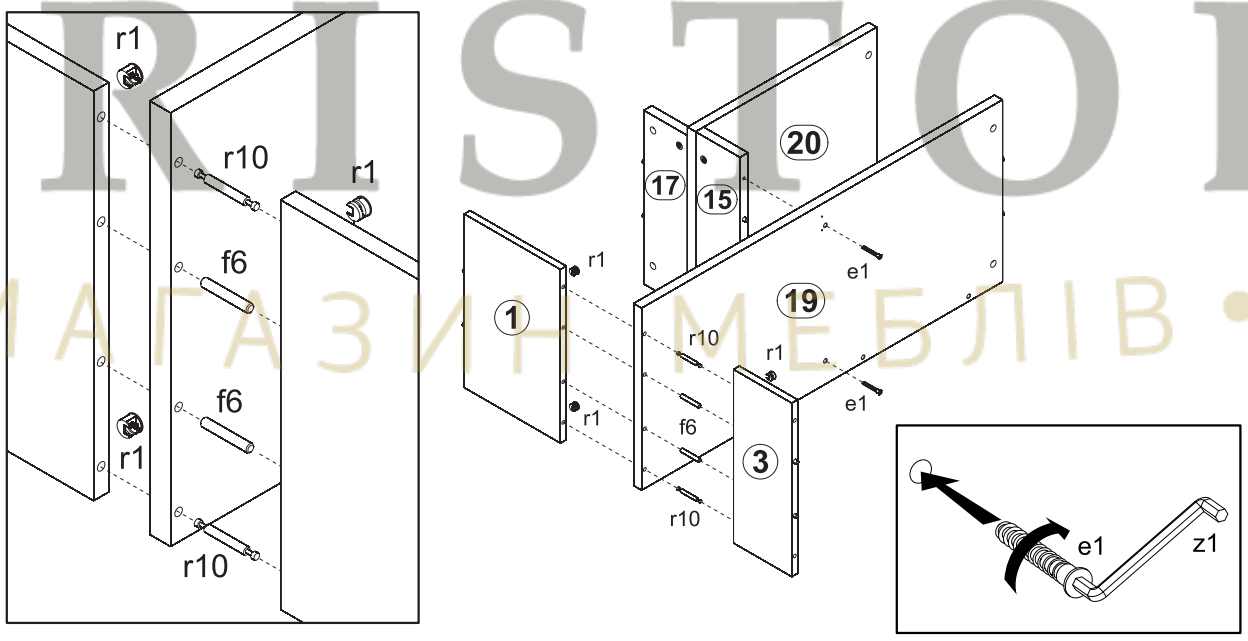
2



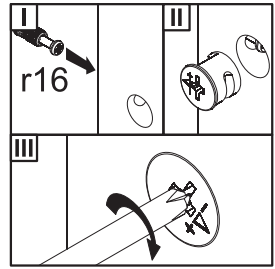
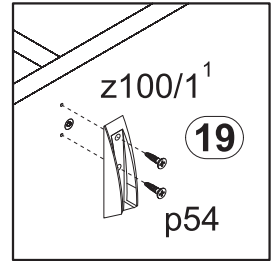
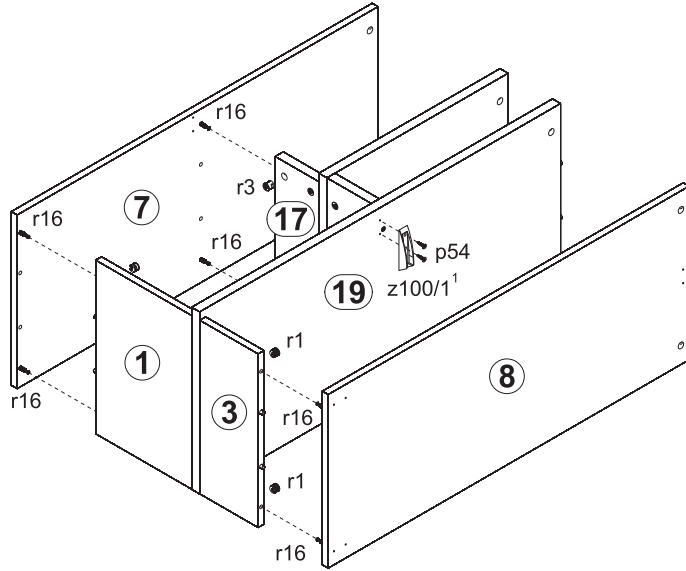
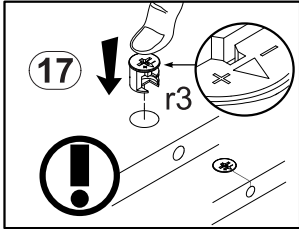
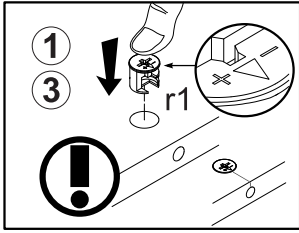
3



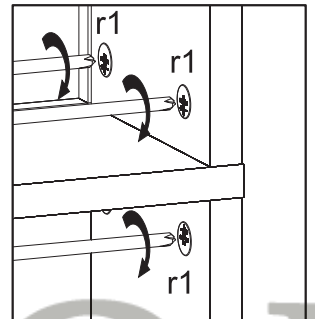
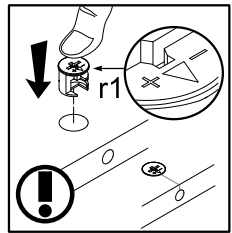
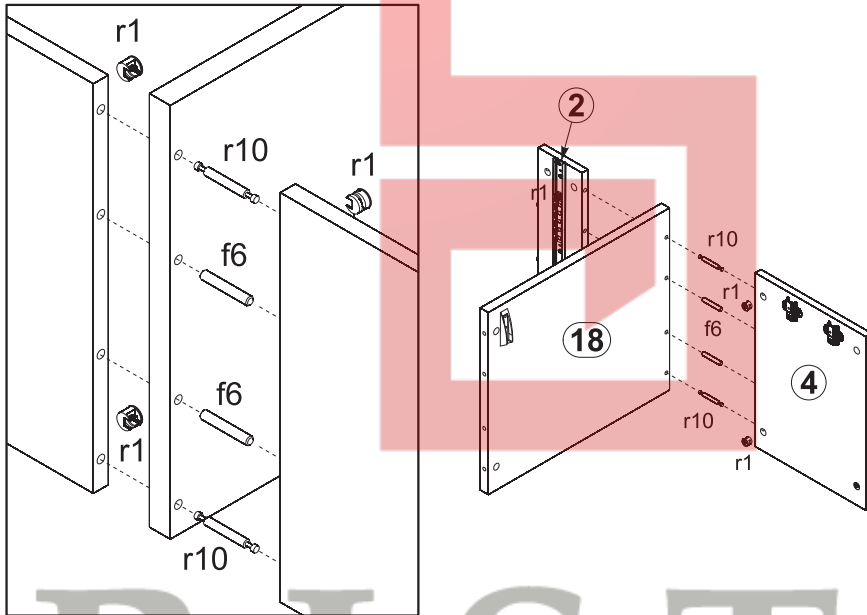
4



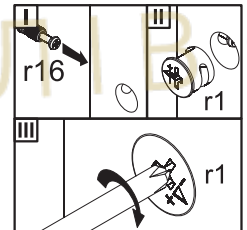
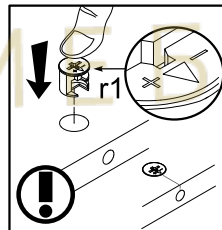
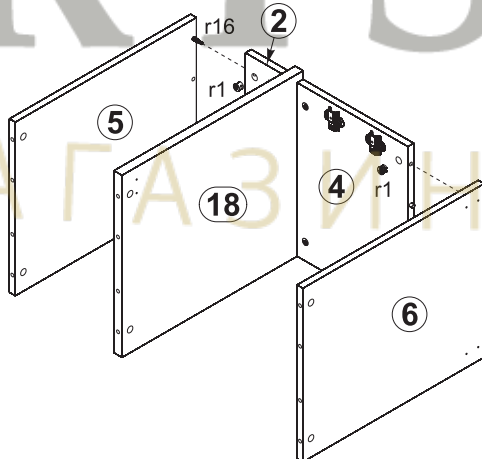
5



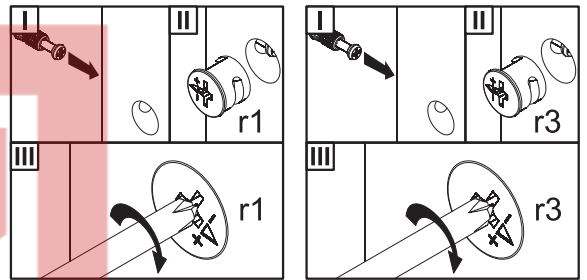
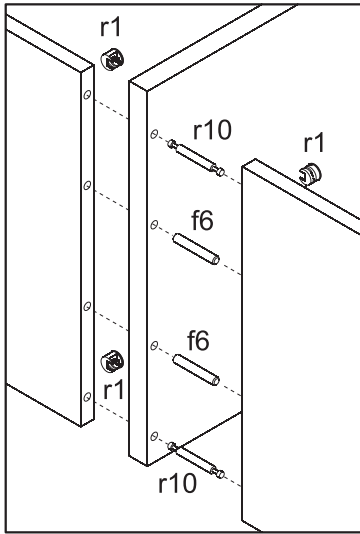
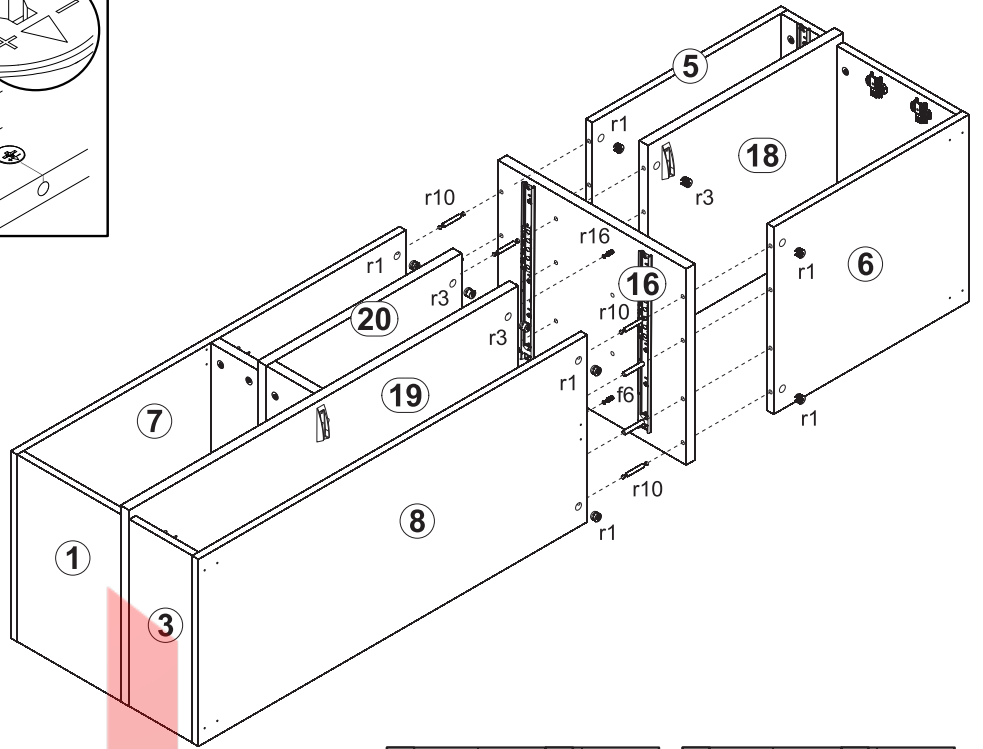
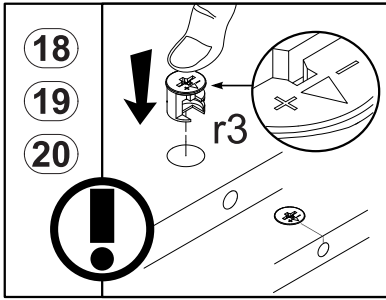
6



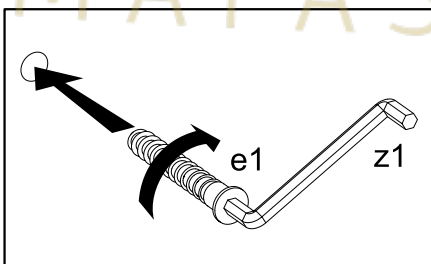
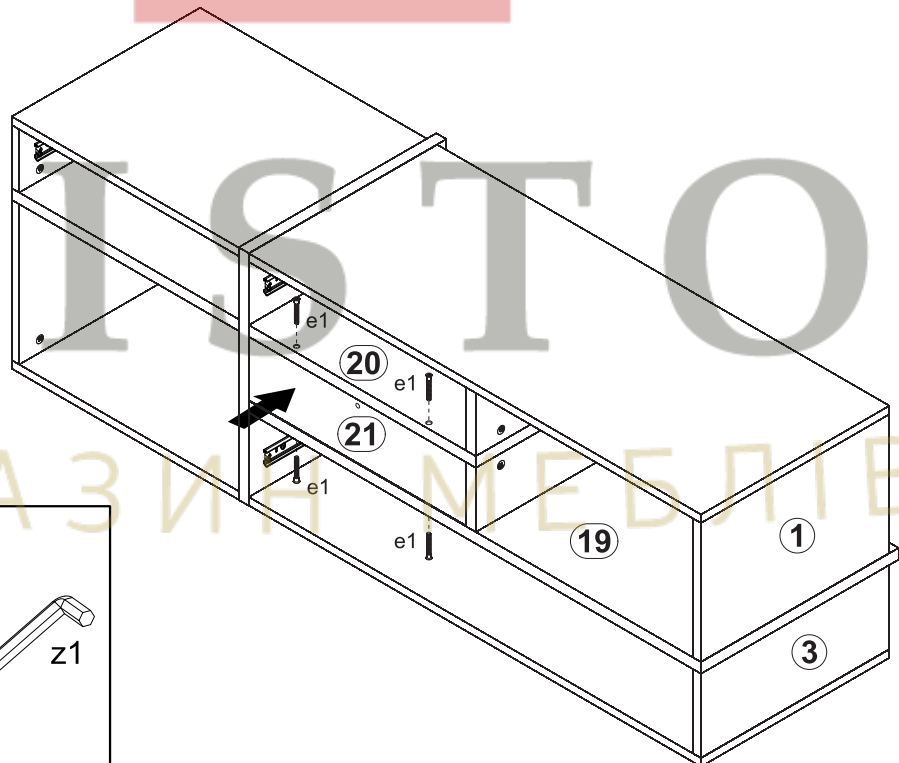
7



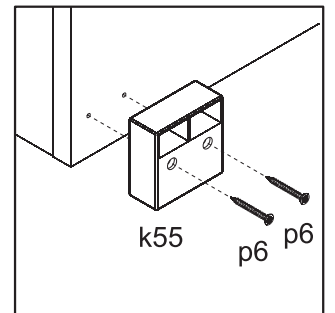
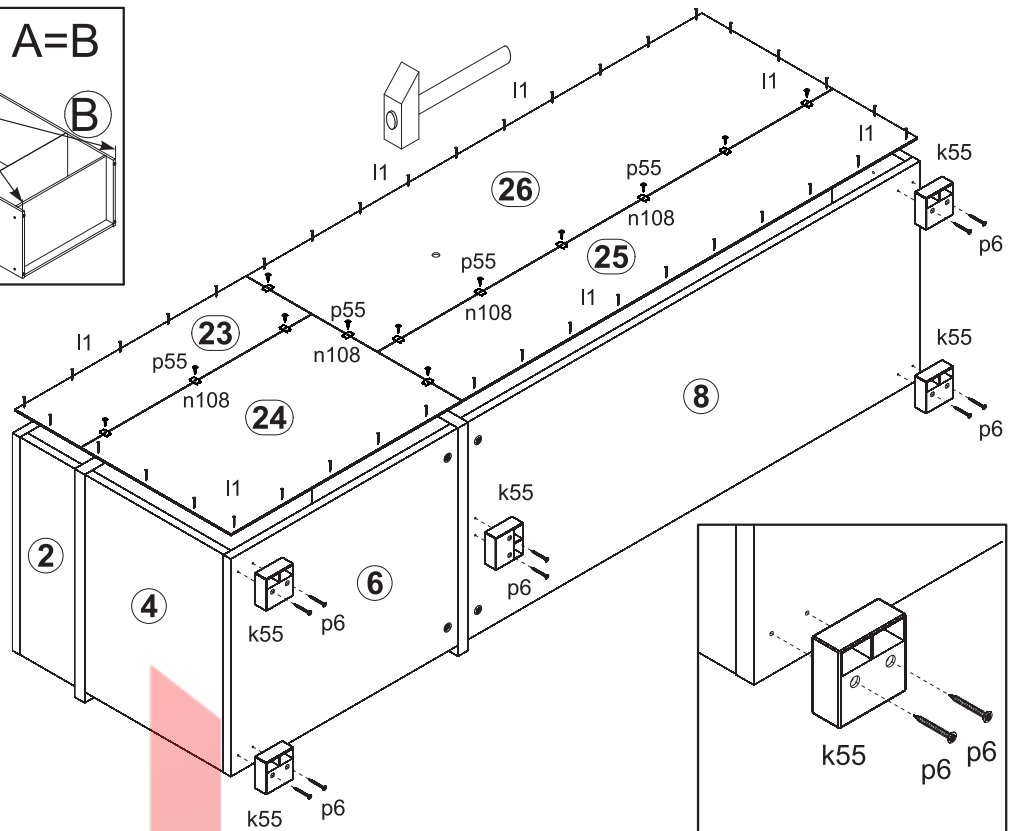
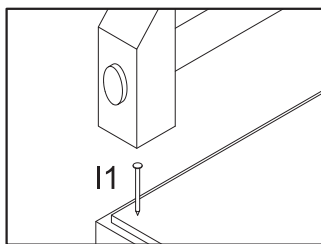
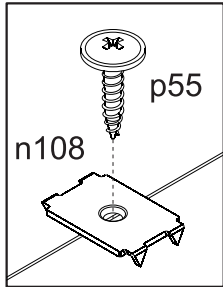
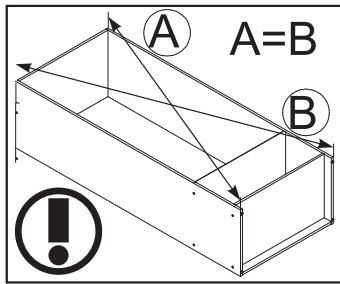
8



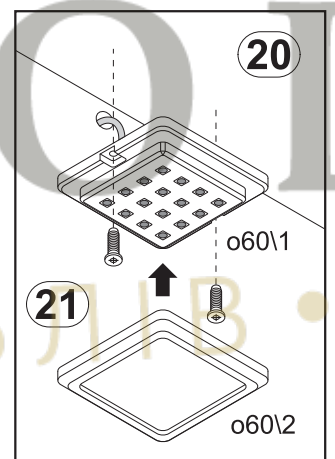
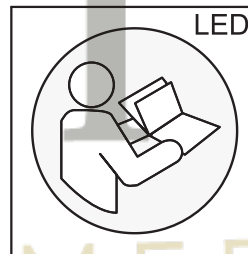
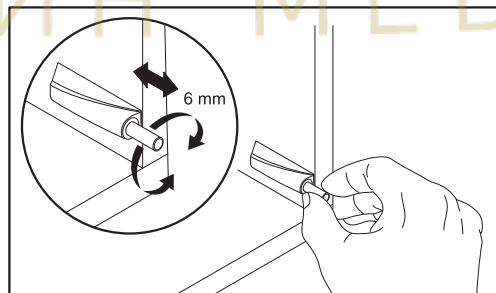
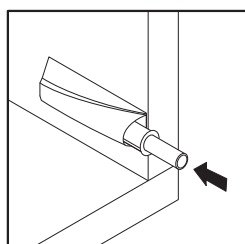
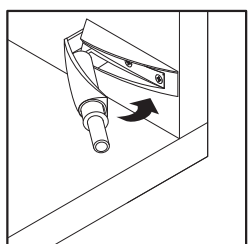
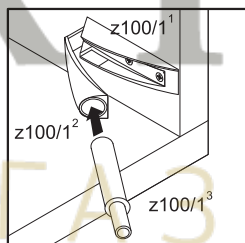
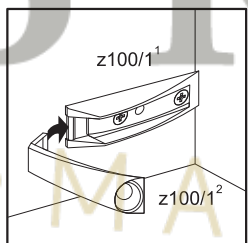
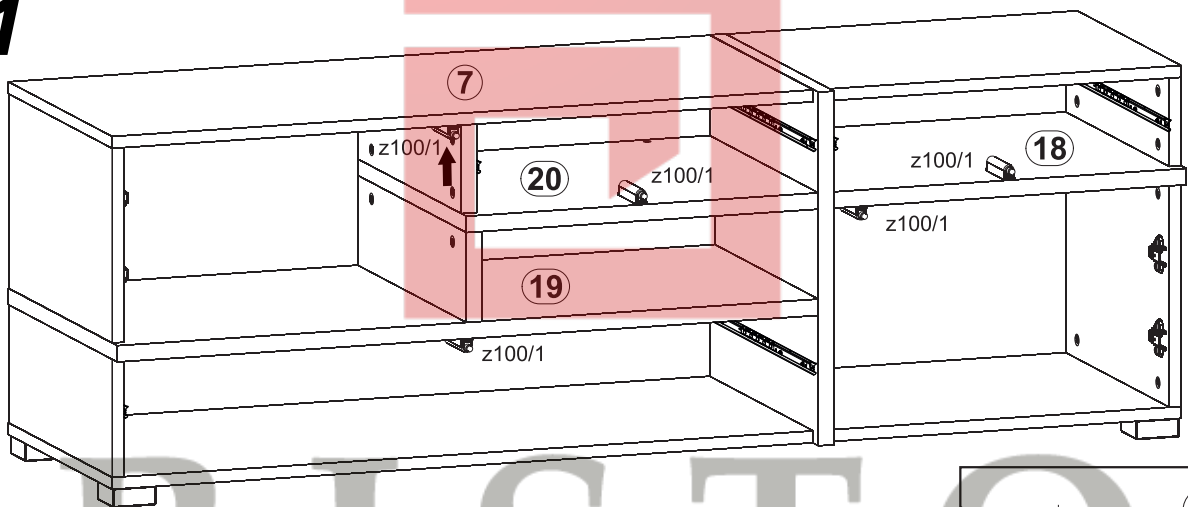
9



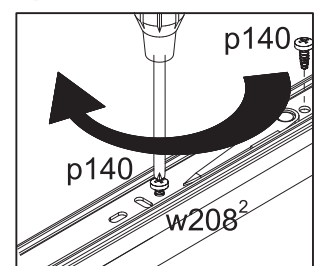
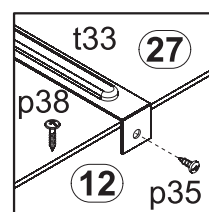
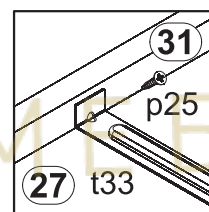
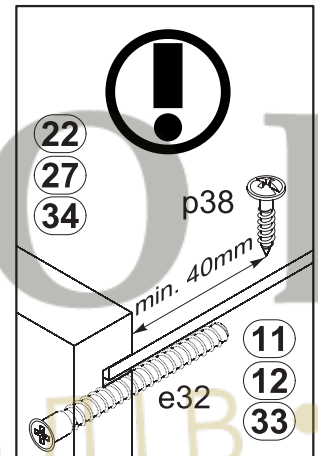
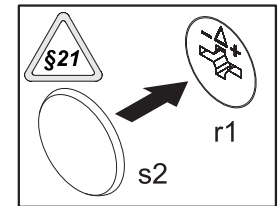
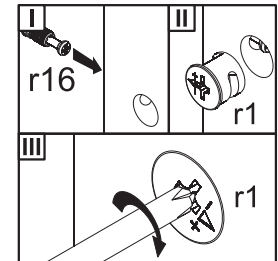
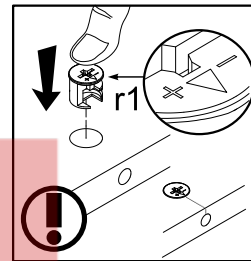
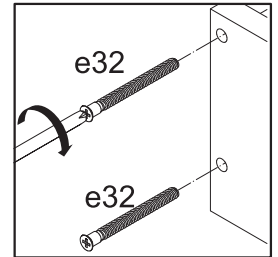
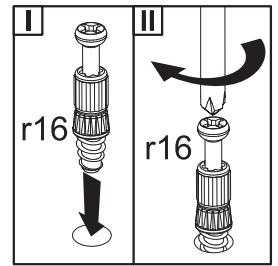
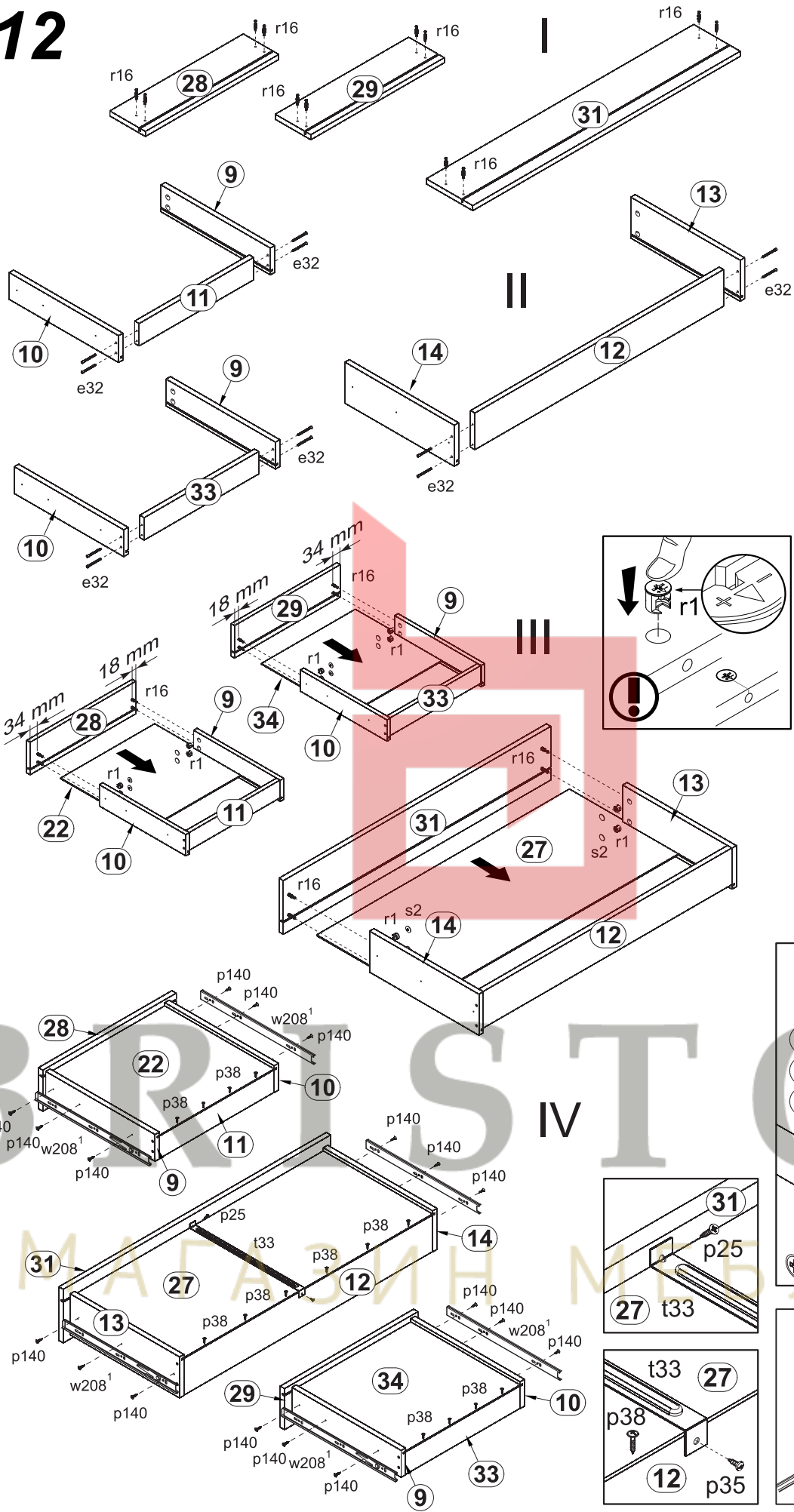
10



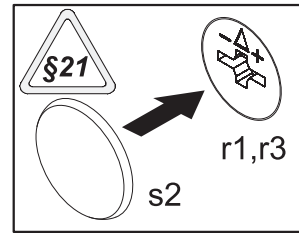
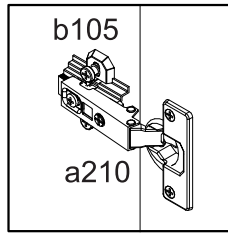
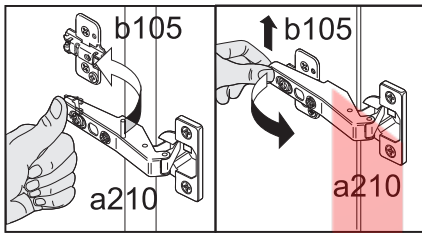
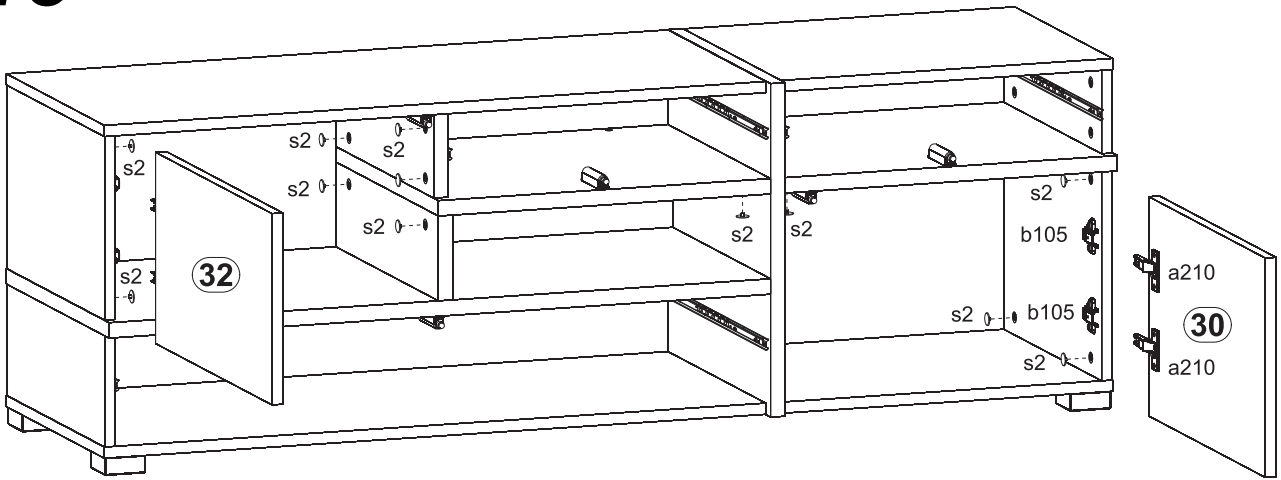
11



12



13



14

