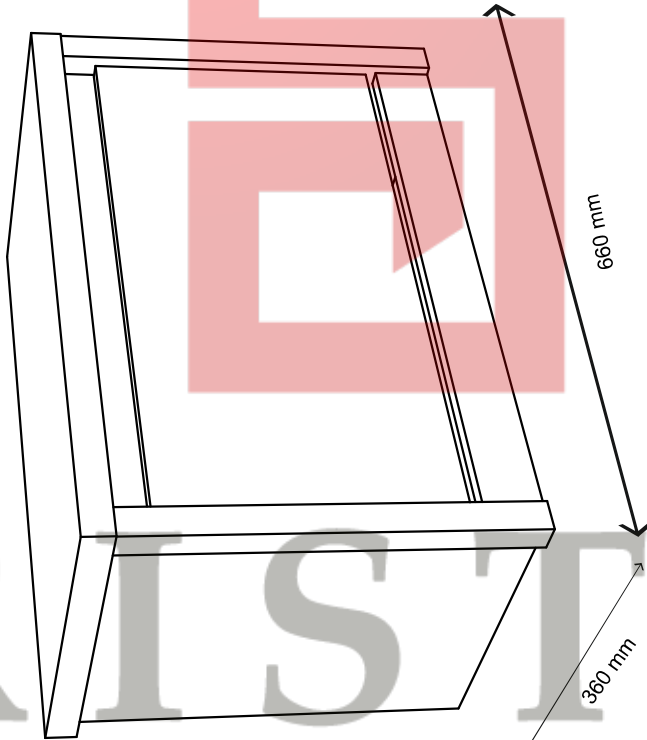
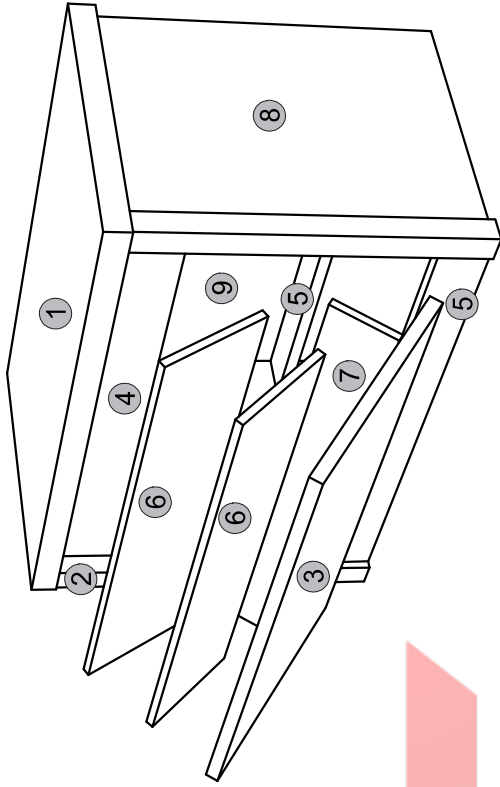
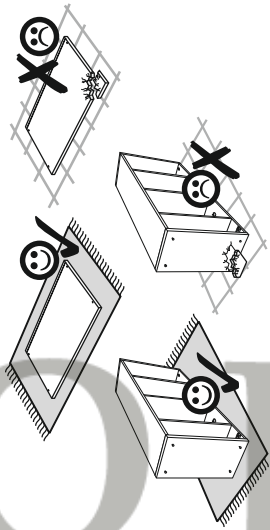
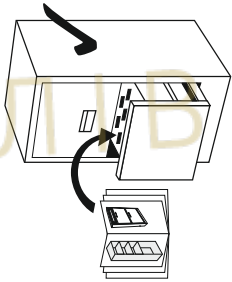
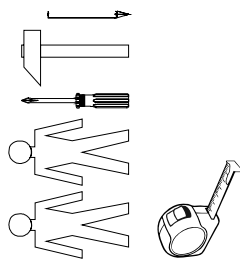
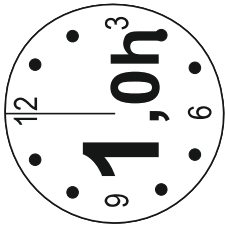
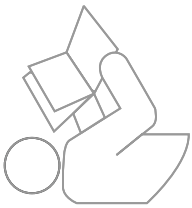
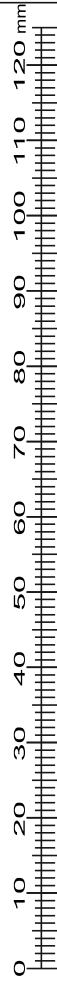
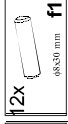
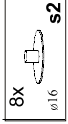
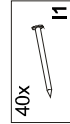
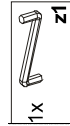


# Instalation manual

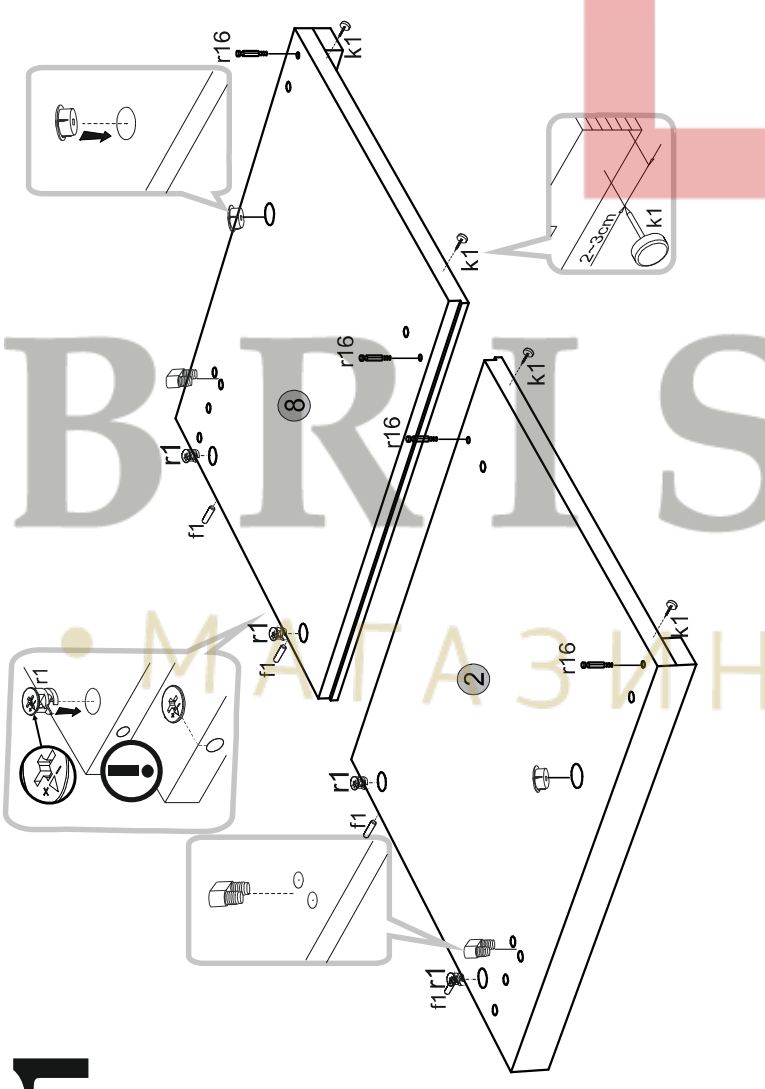
NORTON: SZFK\_BUT\_HW



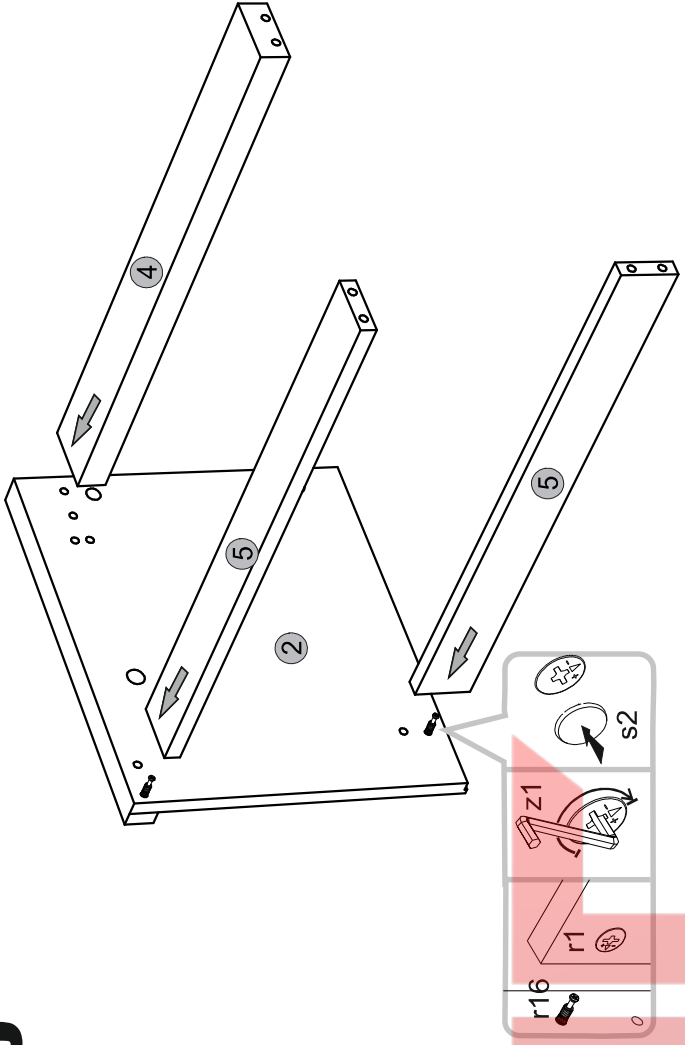
Element symbol	Dimensions		Code	Package
1	660	16/32/32	N-040	1/1
2	411	16/32	N-038	1/1
3	303	588	N-036	1/1
4	70	594	N-041	1/1
5	60	594	N-037	1/1
6	140	584	N-043	1/1
7	584	85	N-042	1/1
8	411	358	N-039	1/1
9	376	612	N-044	1/1



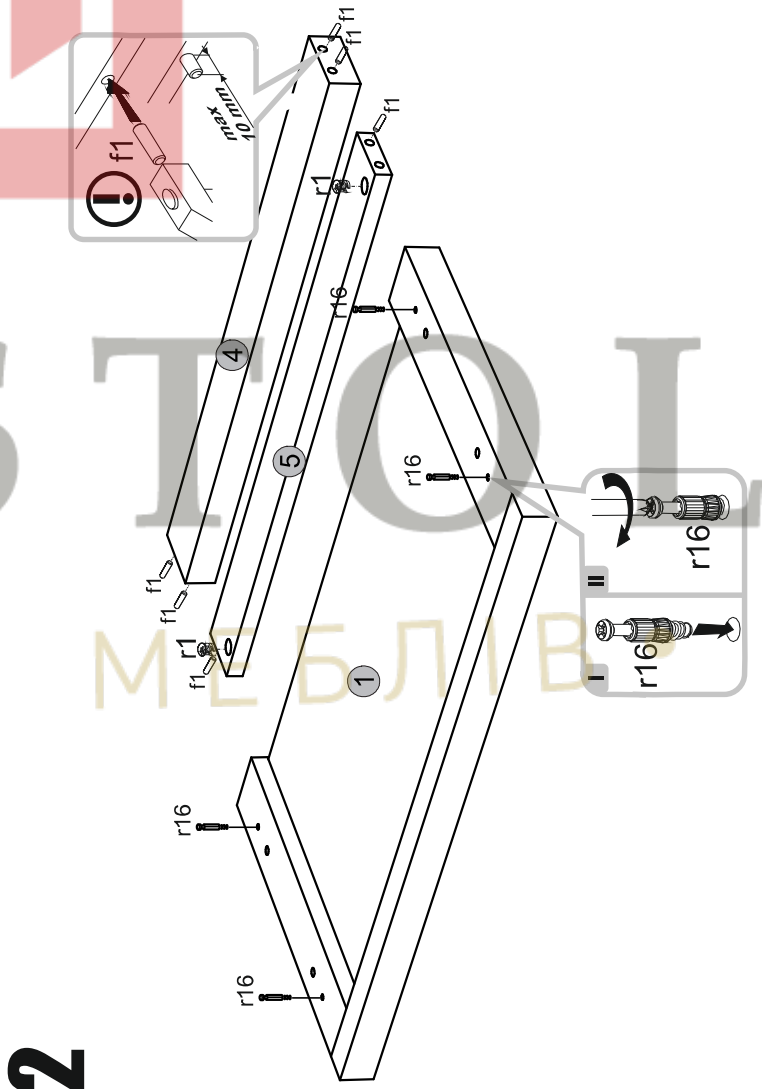
# 1



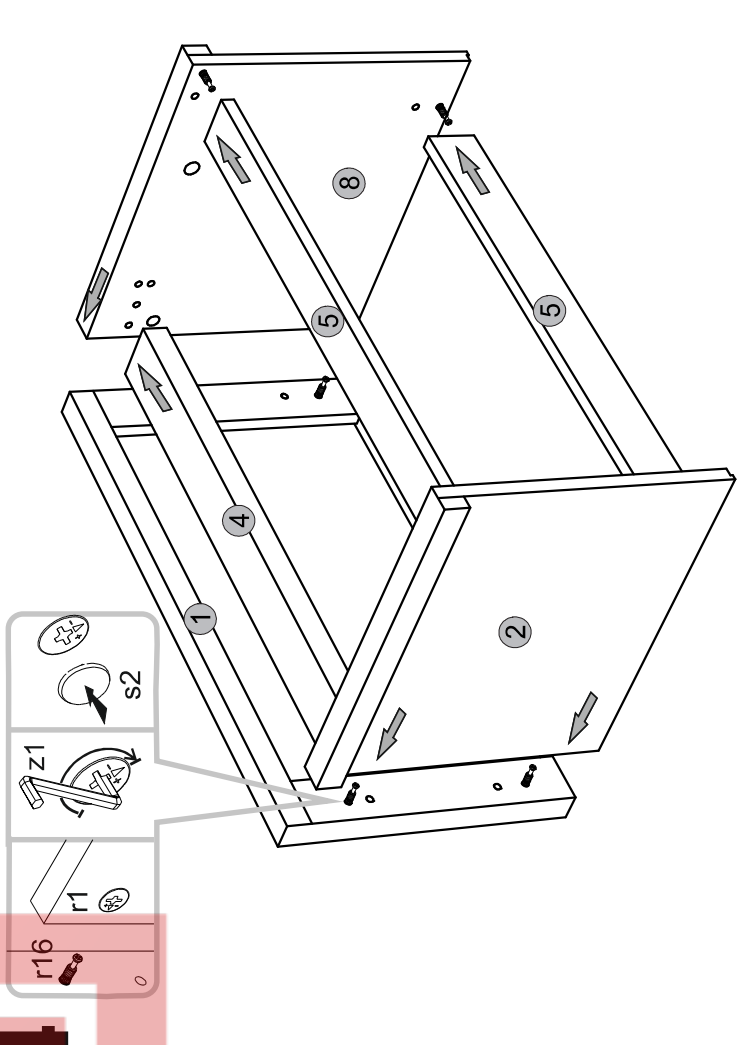
# 3



# 2

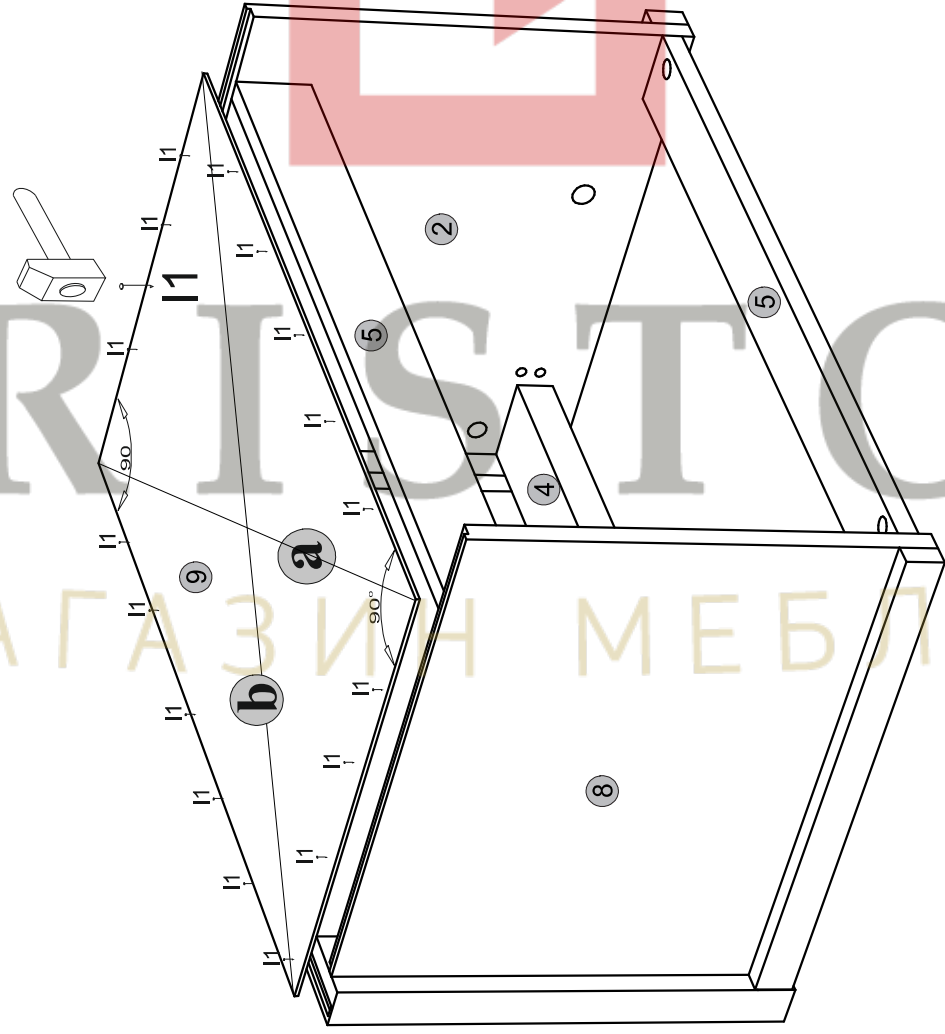


# 4



5

ⓘ a=b



6

