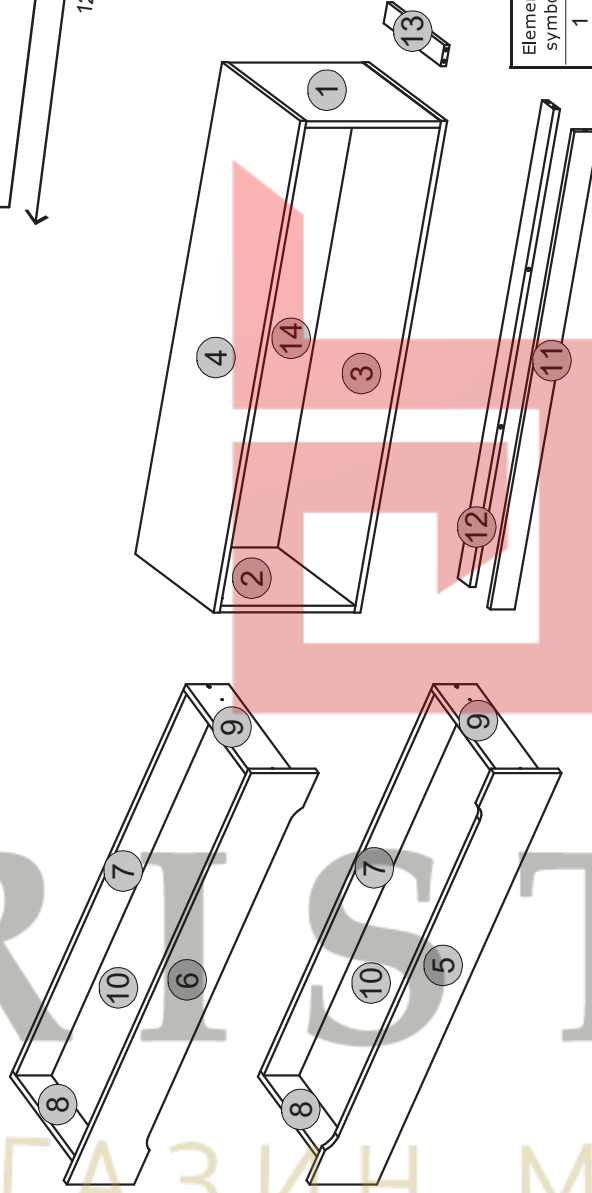
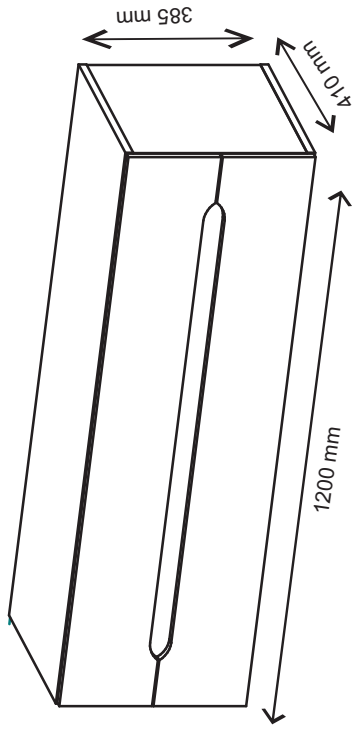
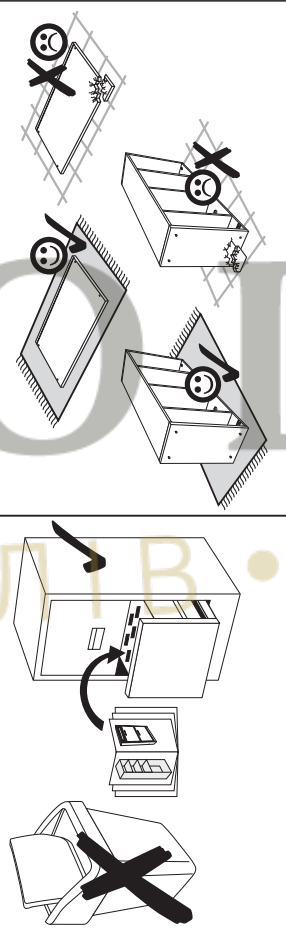
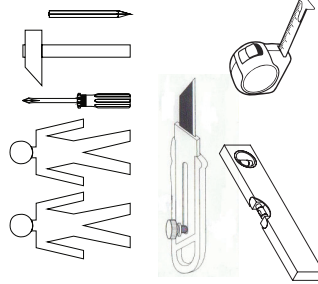
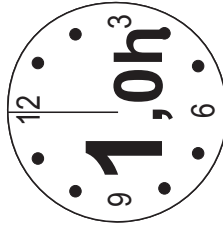
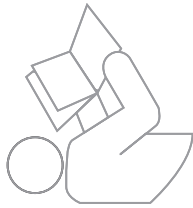
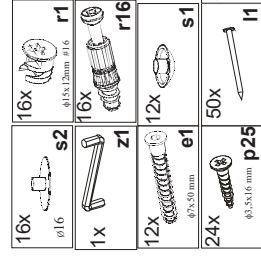


Installation manual

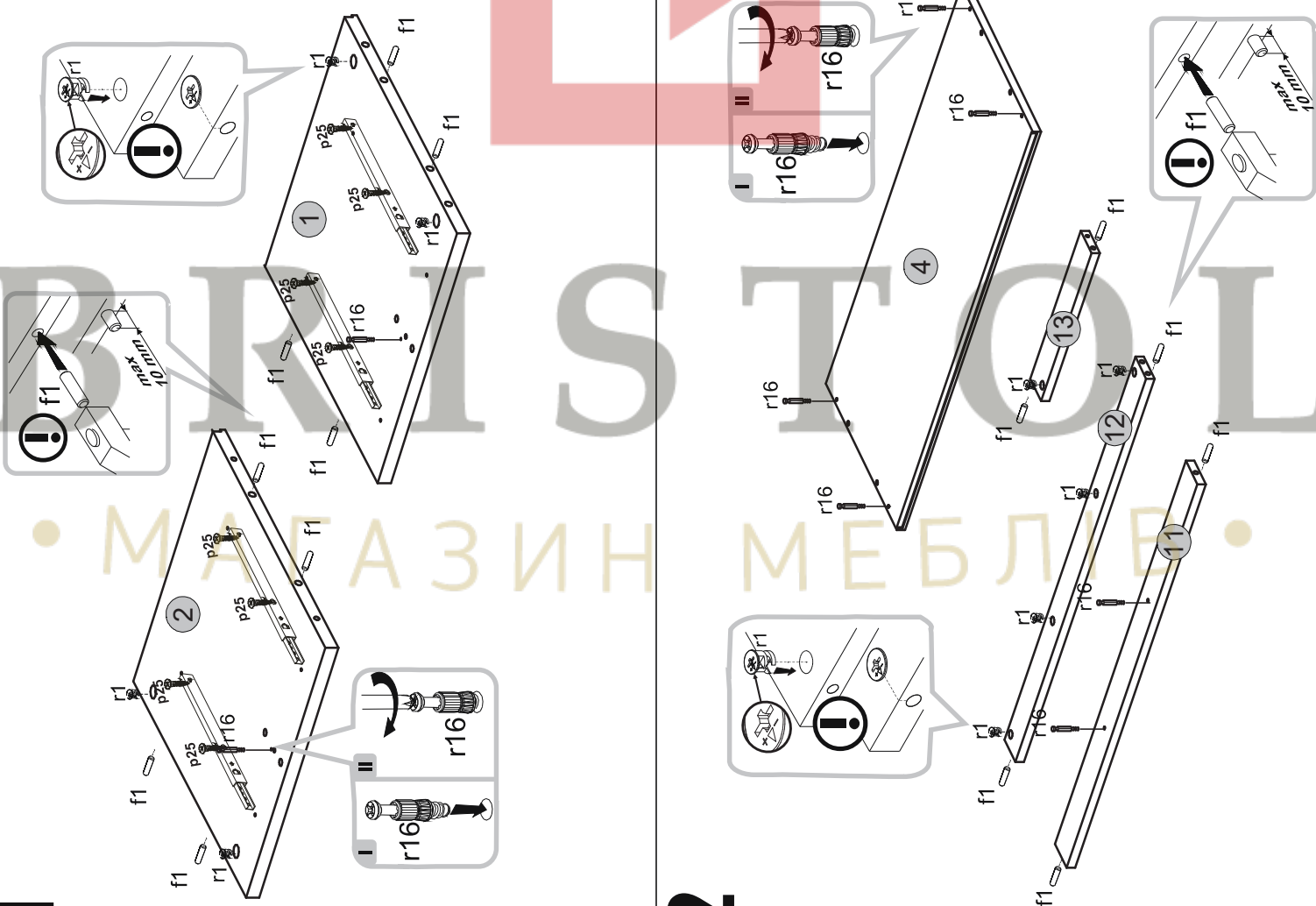
OSLO RTV_2S



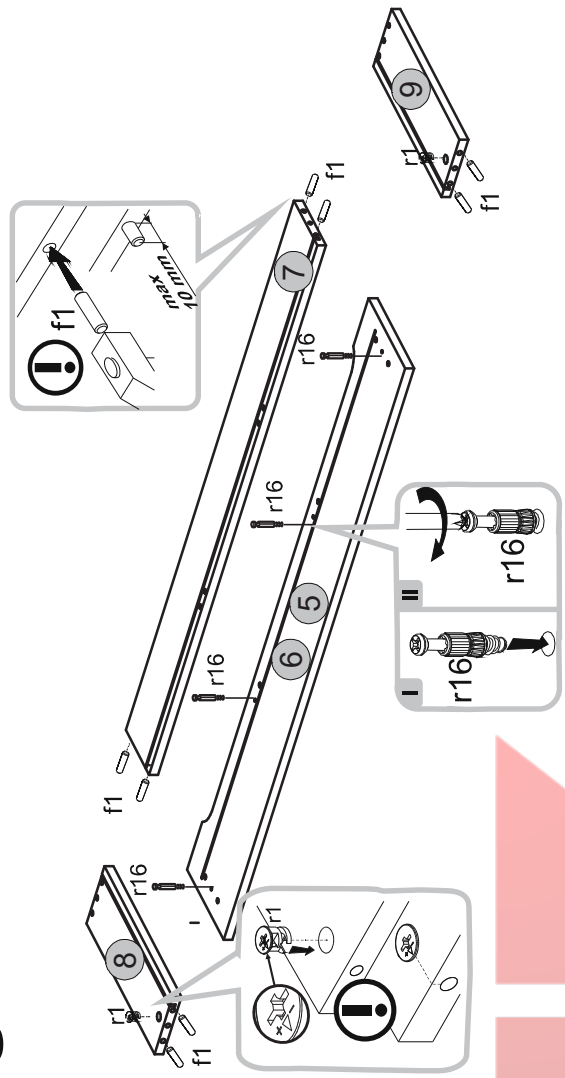
Element symbol	Dimensions	Code	Package
1	394 16 1	RTV_2S.001	1/2
2	353 394 16 1	RTV_2S.002	1/2
3	1200 394 16 1	RTV_2S.003	1/2
4	1200 394 16 1	RTV_2S.004	1/2
5	1196 188 16 1	RTV_2S.006	1/2
6	1196 188 16 1	RTV_2S.007	1/2
7	1108 120 16 2	RTV_2S.008	1/2
8	350 120 16 2	RTV_2S.009	1/2
9	350 120 16 2	RTV_2S.010	1/2
10	1126 352 3 2	RTV_2S.011	1/2
11	64 1166 16 1	RTV_2S.012	1/2
12	1166 60 16 1	RTV_2S.013	1/2
13	60 334 16 4	RTV_2S.014	1/2
14	371 1184 3 1	RTV_2S.015	1/2



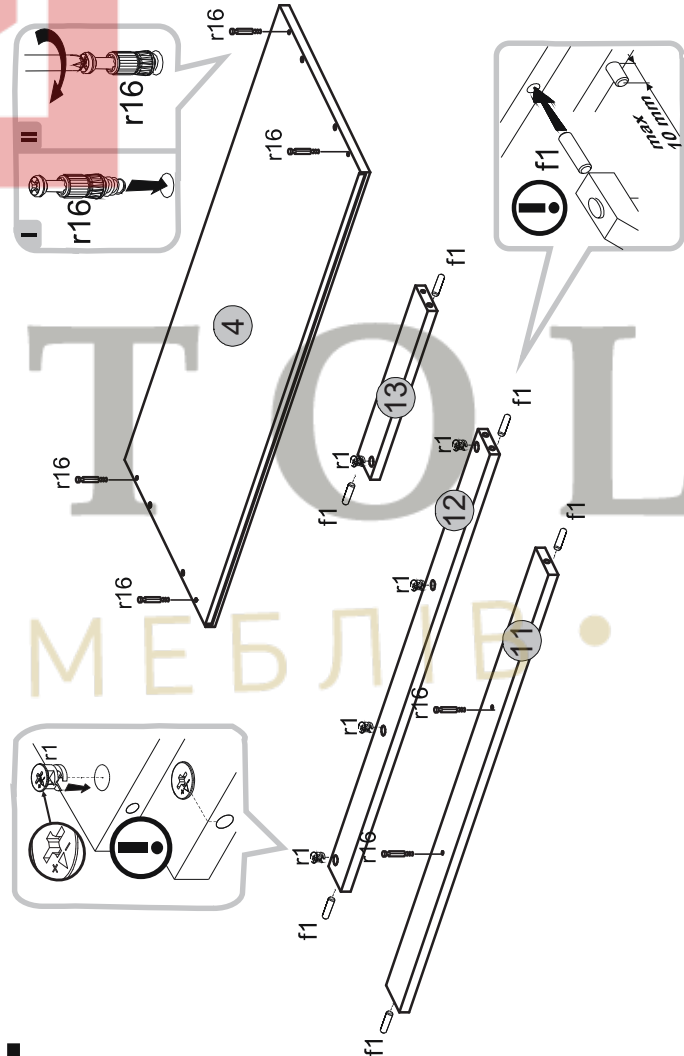
1



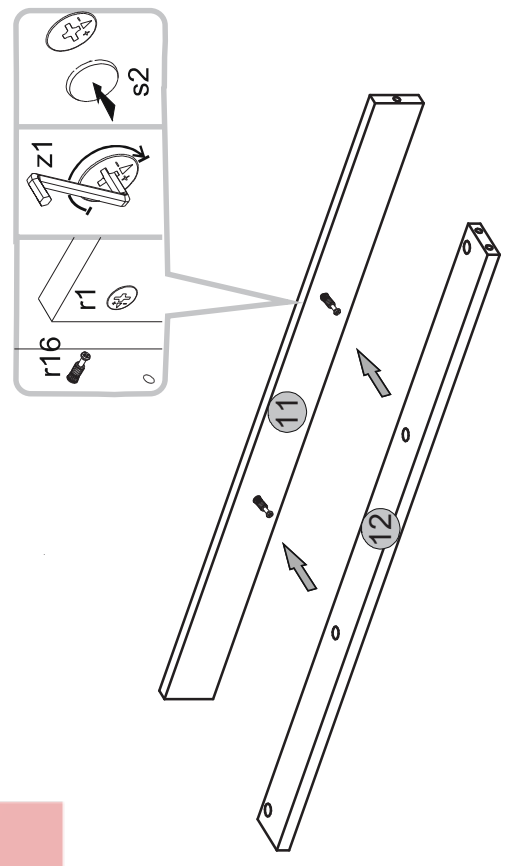
3



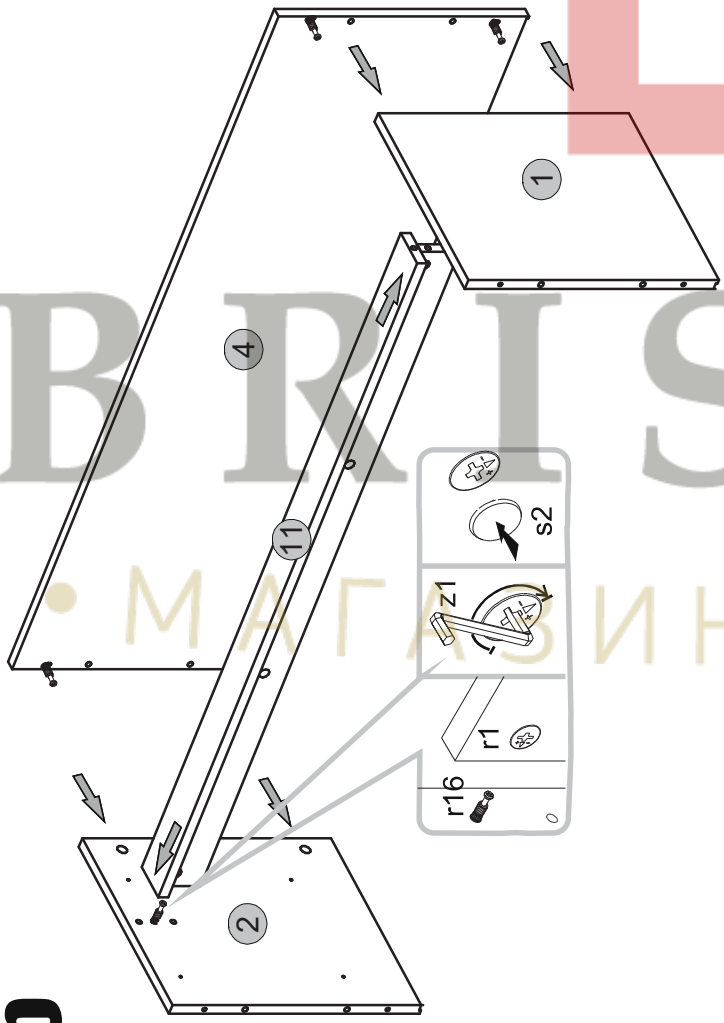
2



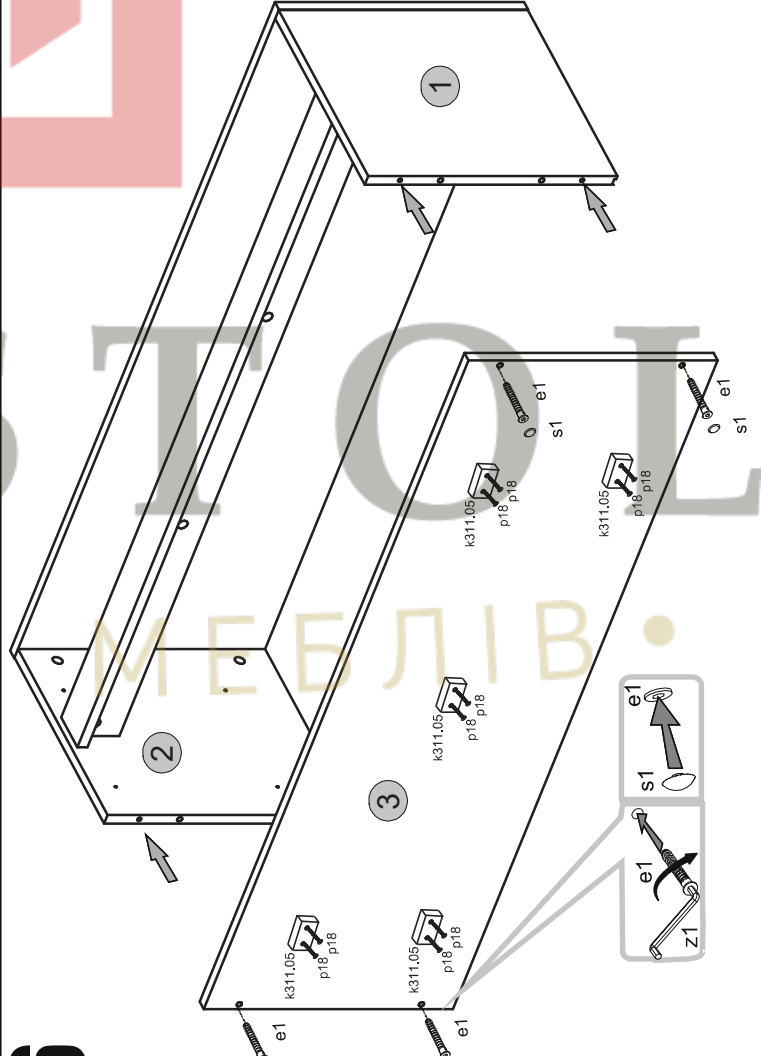
4



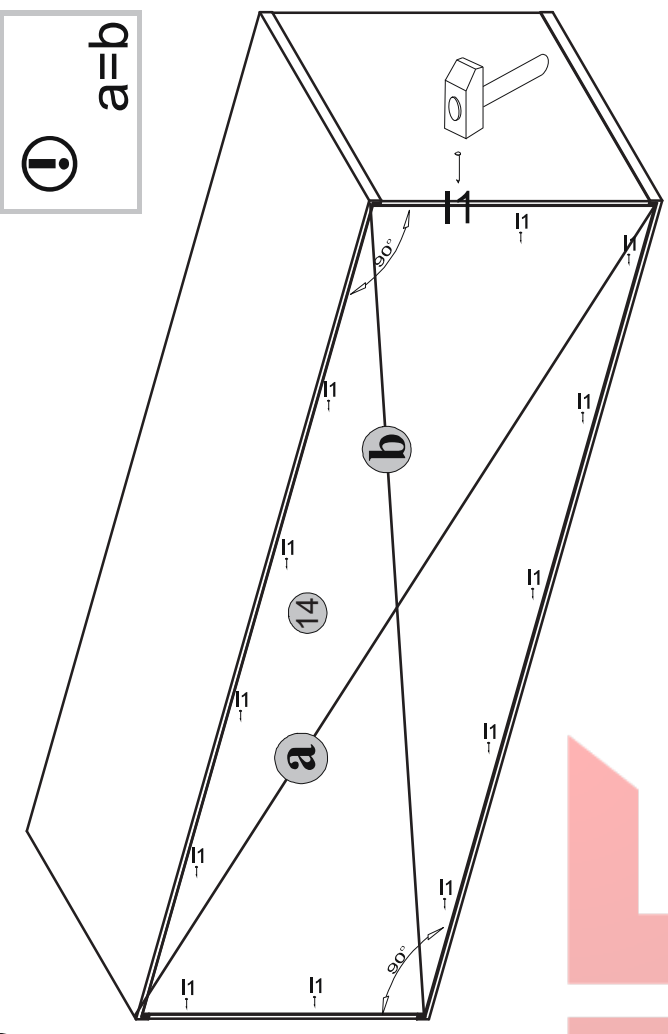
5



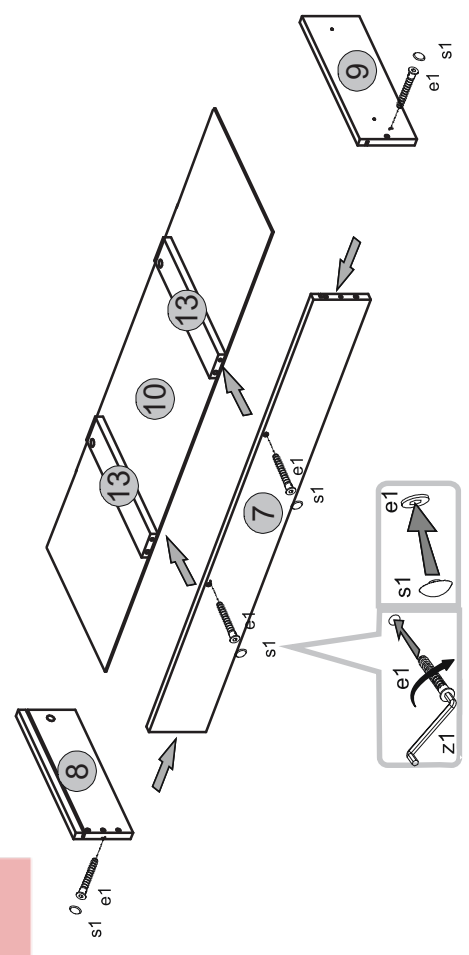
6



7

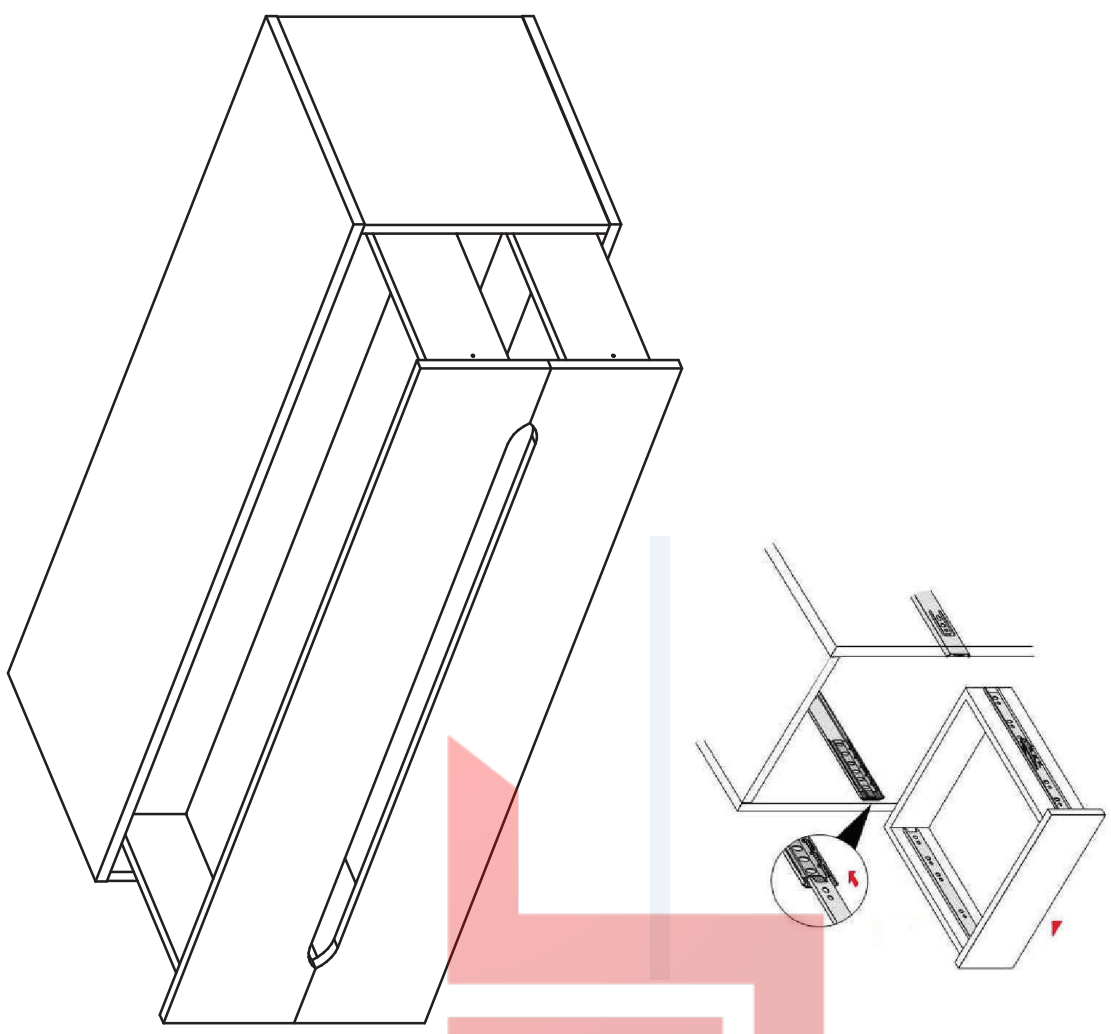


8

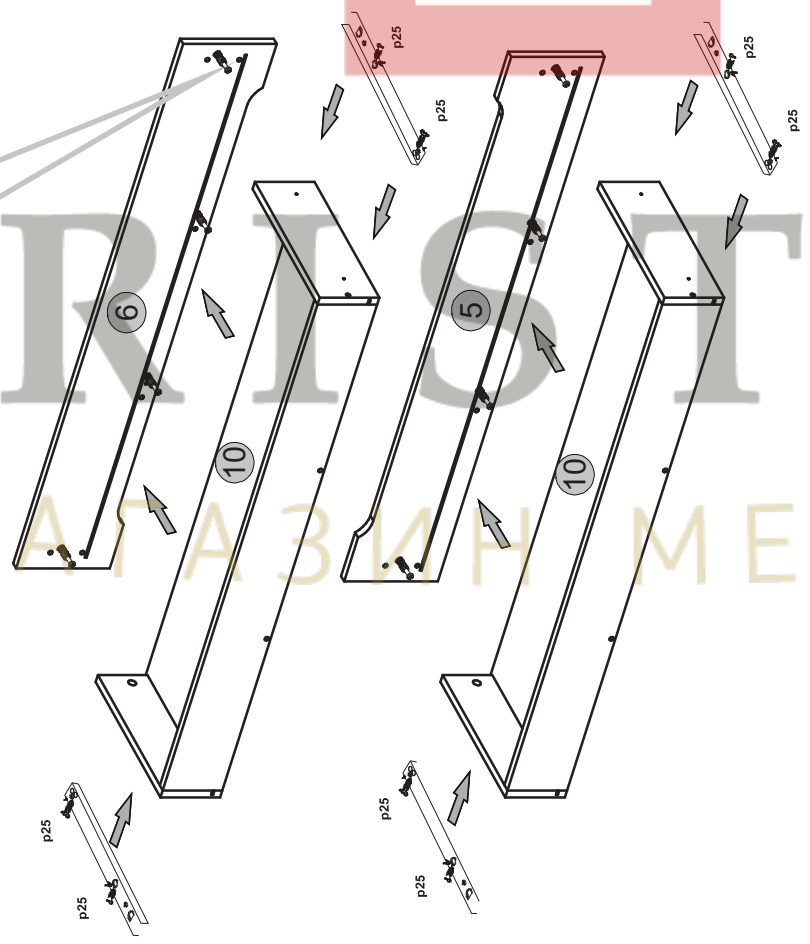
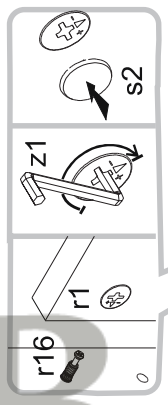


i a=b

10



9



БРИСТОЛ

• МАГАЗИН МЕБЛІВ •