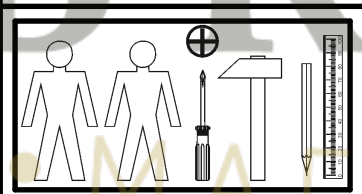
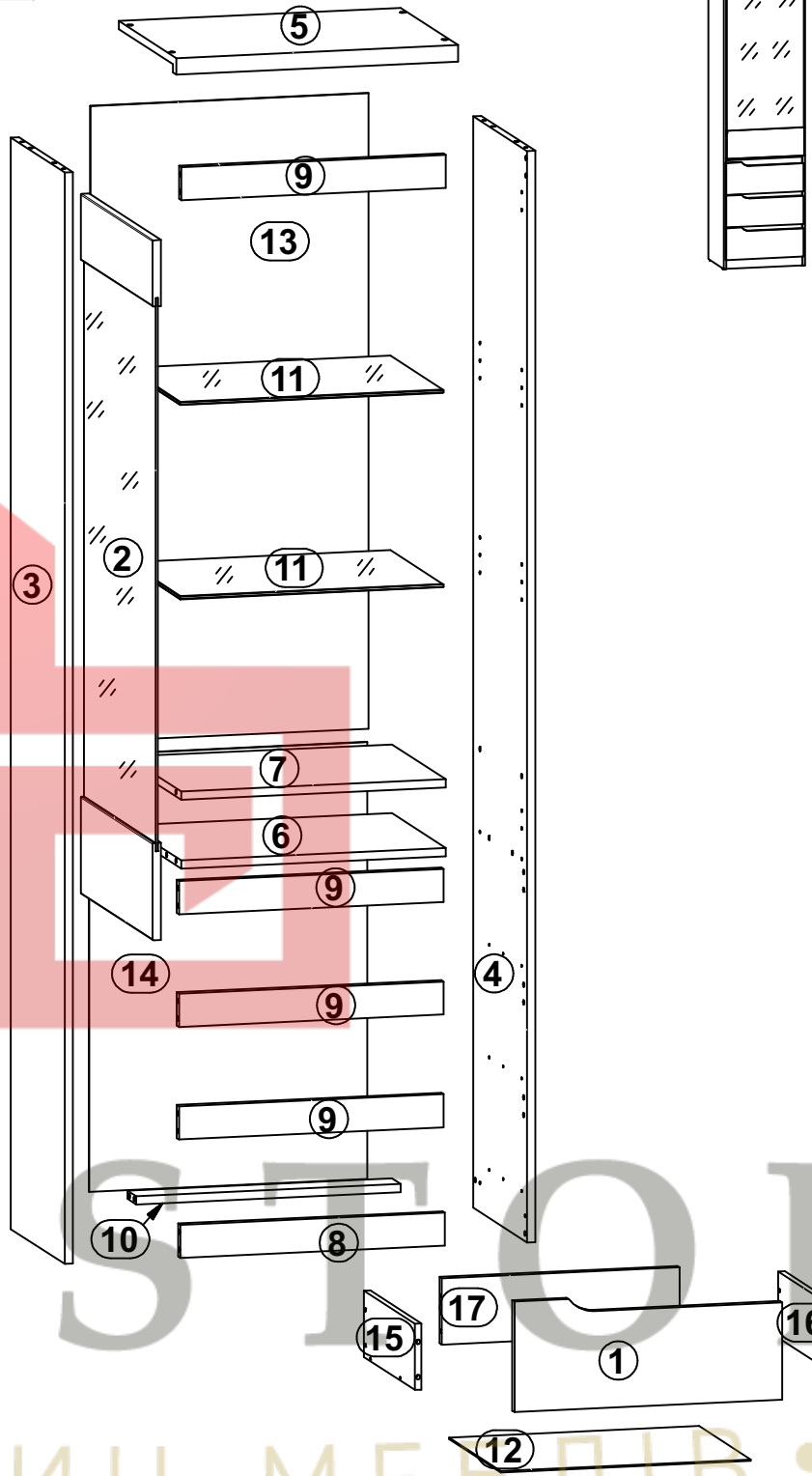
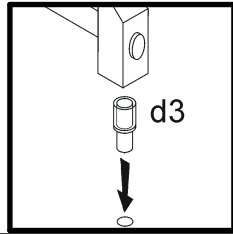
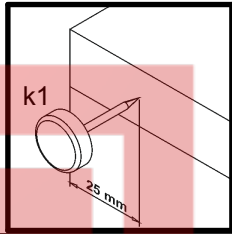
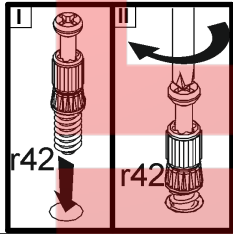
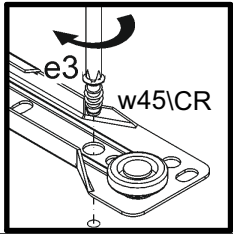
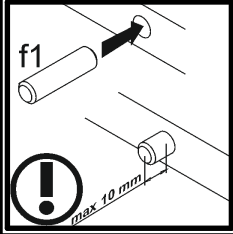
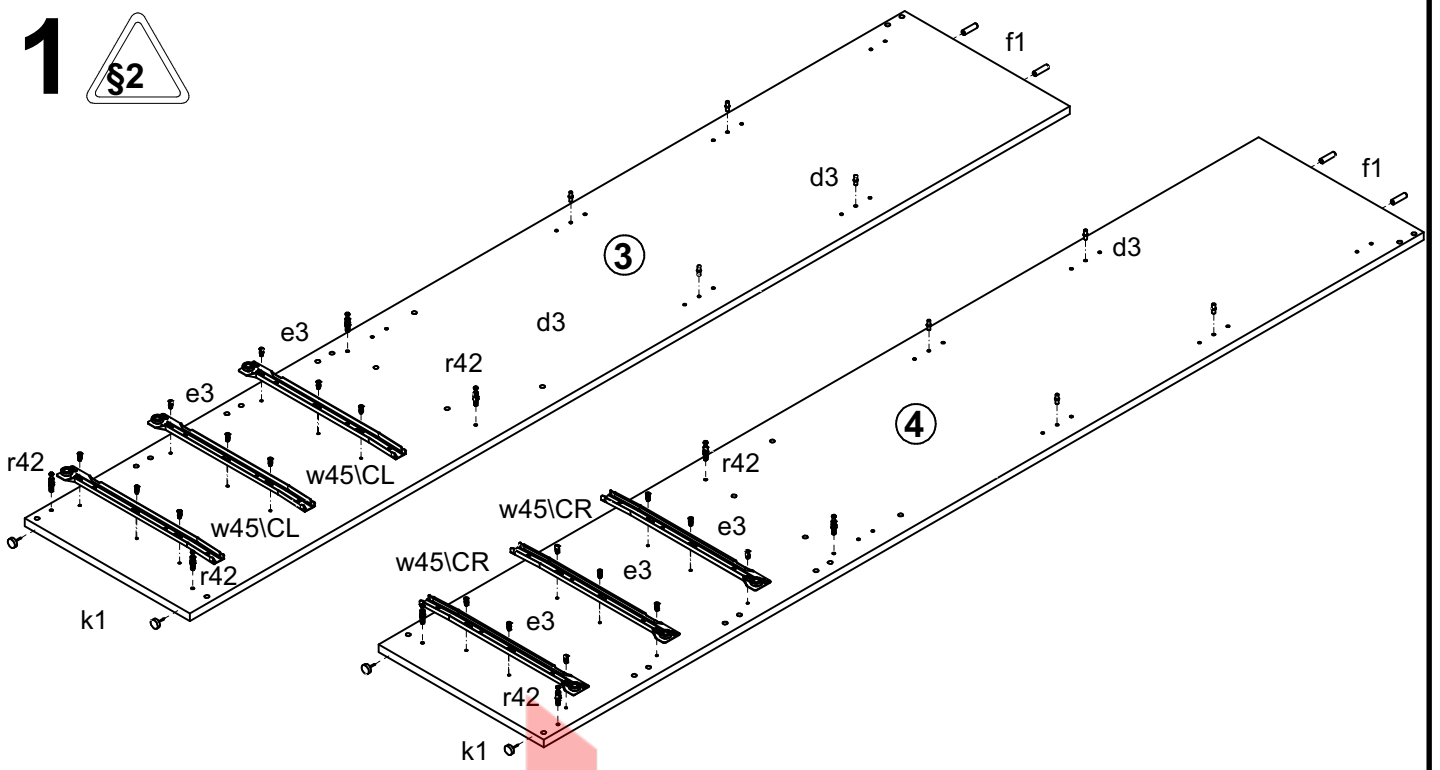


A	B	C	D	
1	S162-0016	494	200	4/5
2	S162-017	494	1268	5/5
3	S162-1103	1977	371	1/5
4	S162-1104	1977	371	1/5
5	S162-2206	522	397	2/5
6	S162-3301	488	371	2/5
7	S162-3311	488	371	2/5
8	S162-4404	488	60	2/5
9	S162-4405	488	60	2/5
10	S162-4408	488	60	2/5
11	S162-502	486	363	3/5
12	S162-9904	461	355	2/5
13	S162-9913	1151	513	5/5
14	S162-9914	791	513	5/5
15	ZS3-509	350	120	2/5
16	ZS3-510	350	120	2/5
17	ZS3-5506	439	120	2/5

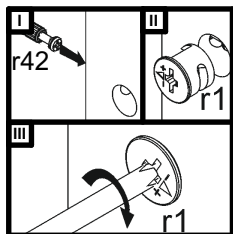
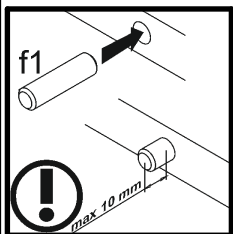
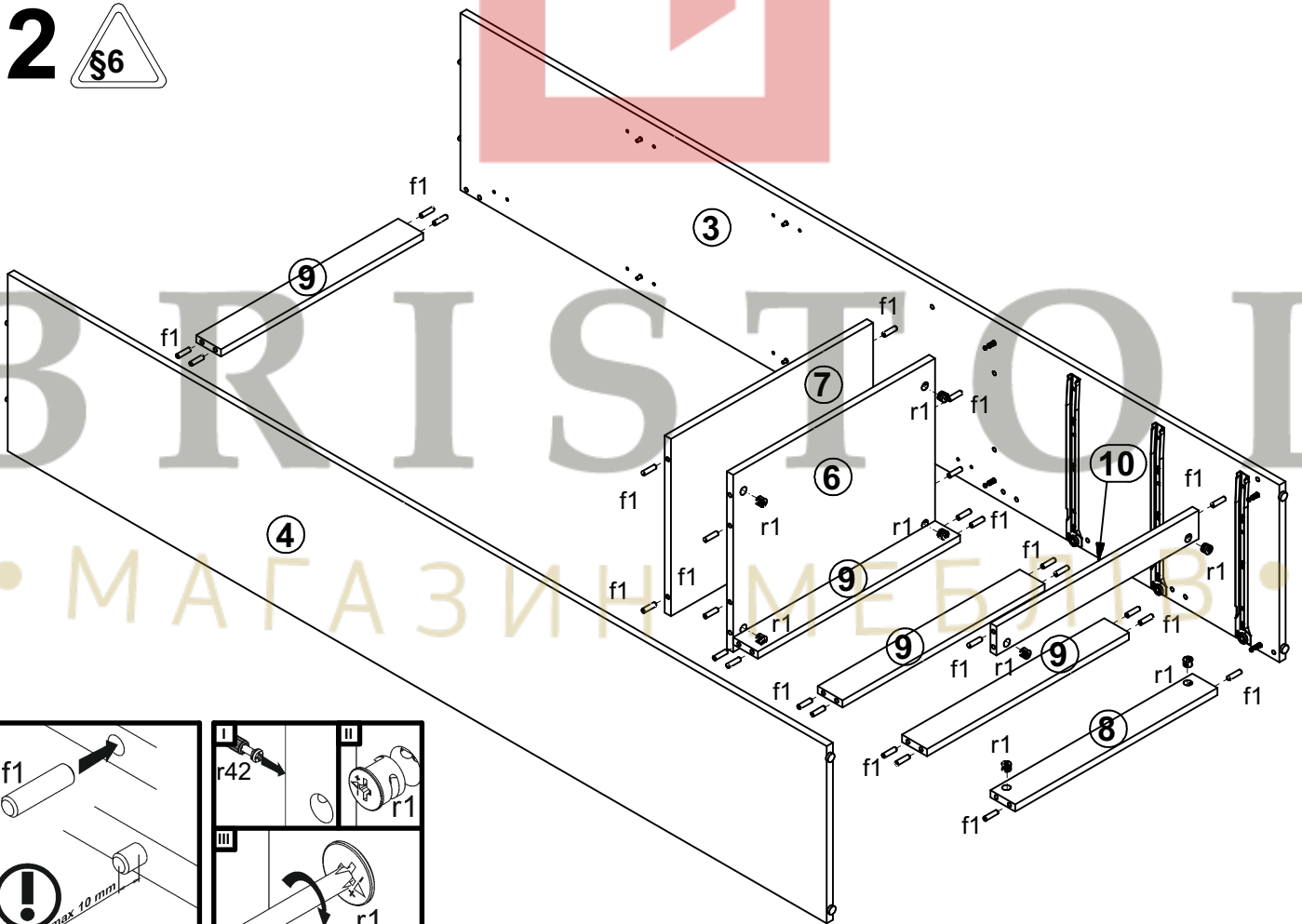


2x  a68	2x  b19	8x  φ5x17 mm d3	4x  φ7x50 mm e1	12x  φ5x9 mm e19	4x  φ6,3x13 mm e2	18x  φ6x13 mm e3	32x  φ8x30 mm f1	12x  φ6,5x40 mm f25
4x  k1	60x  l1	9x  φ3,5x16 mm p38	4x  φ8,5x15 mm p51	8x  φ1,5x12mm #16 r1	12x  φ12x10,5mm #12 r15	20x  r42	3x  350 mm w45ICL	3x  350 mm w45ICR
3x  350 mm w45IDL	3x  350 mm w45IDR	1x  z1	1x  n26I1	1x  φ3,5x16 mm p38				

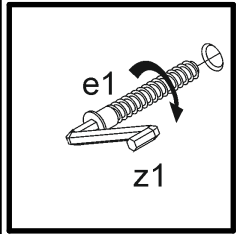
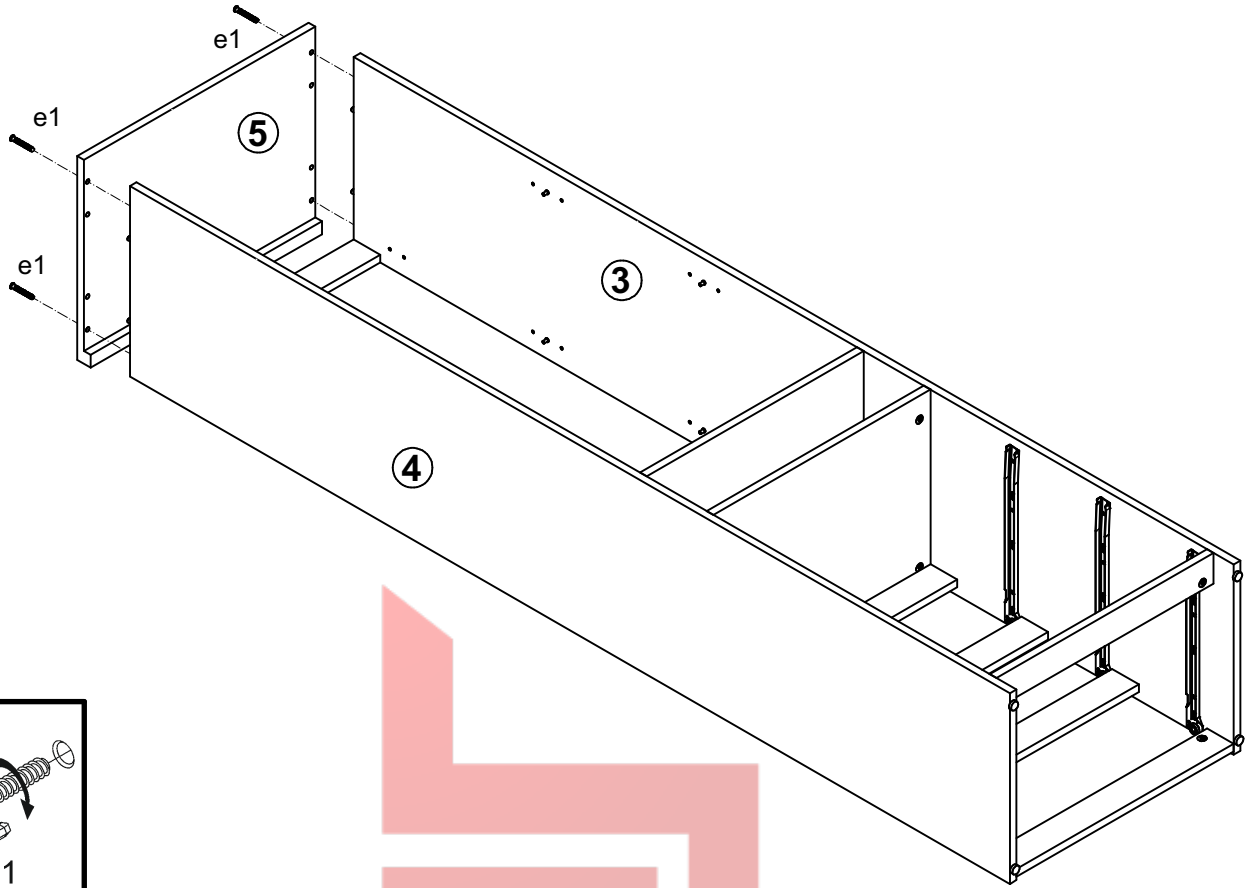
# 1 §2



# 2 §6



# 3



# 4

