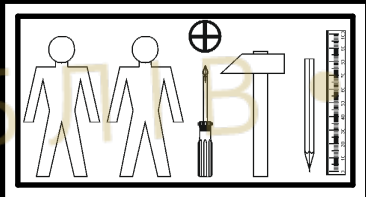
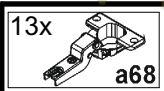
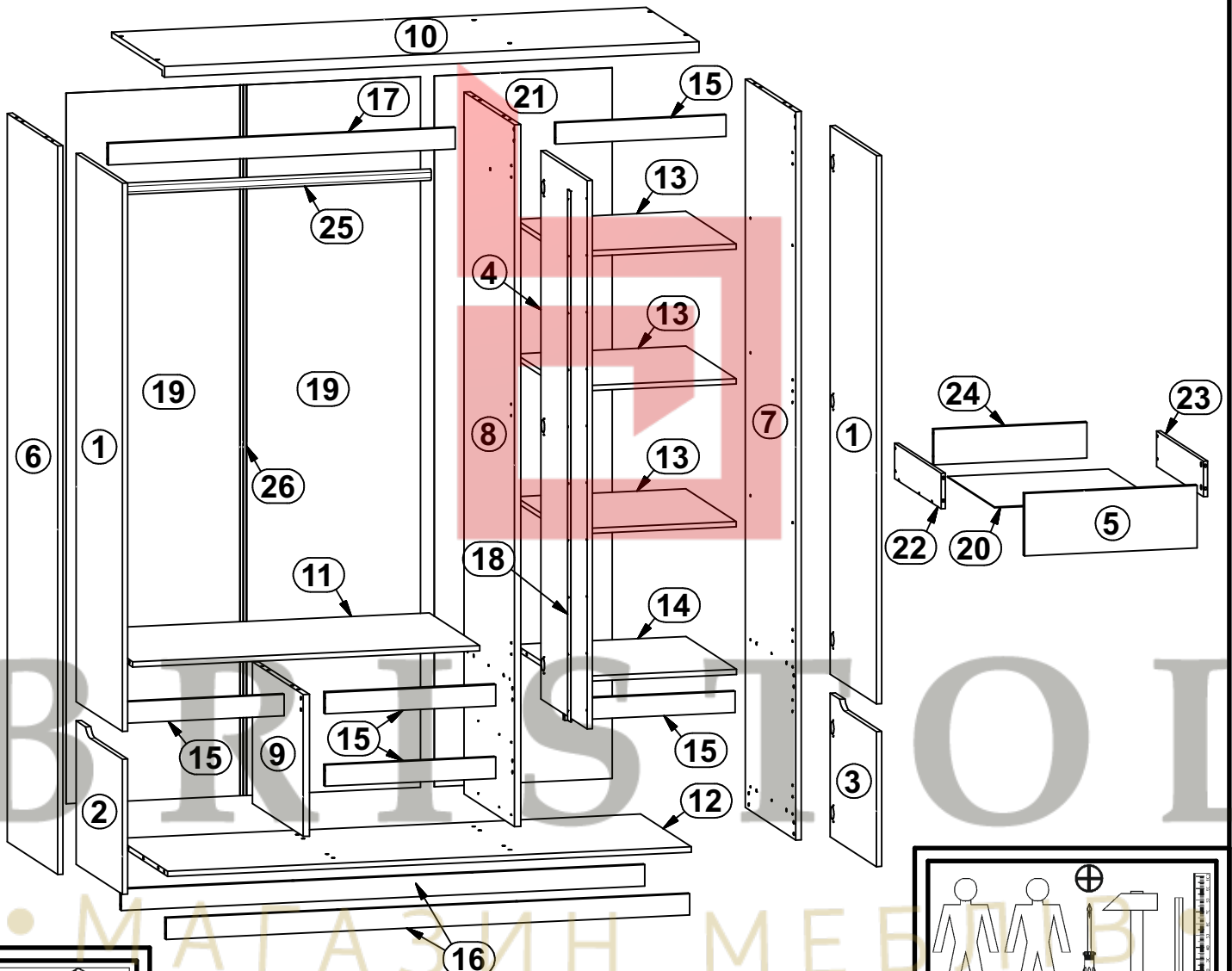
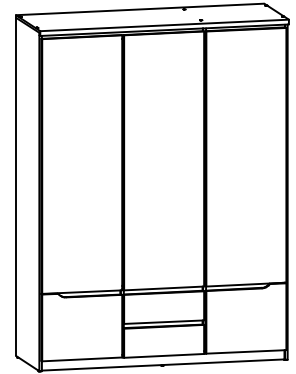
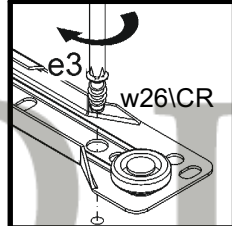
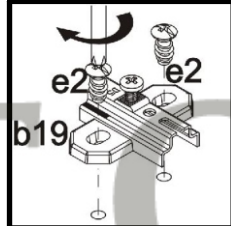
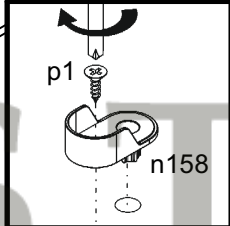
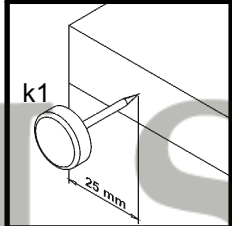
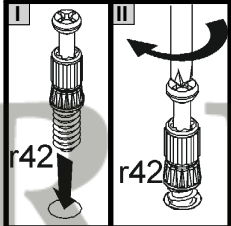
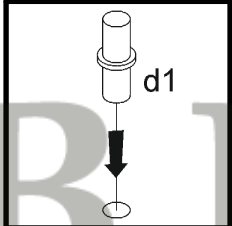
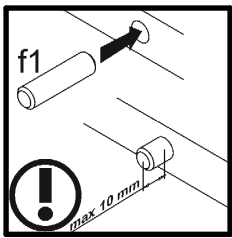
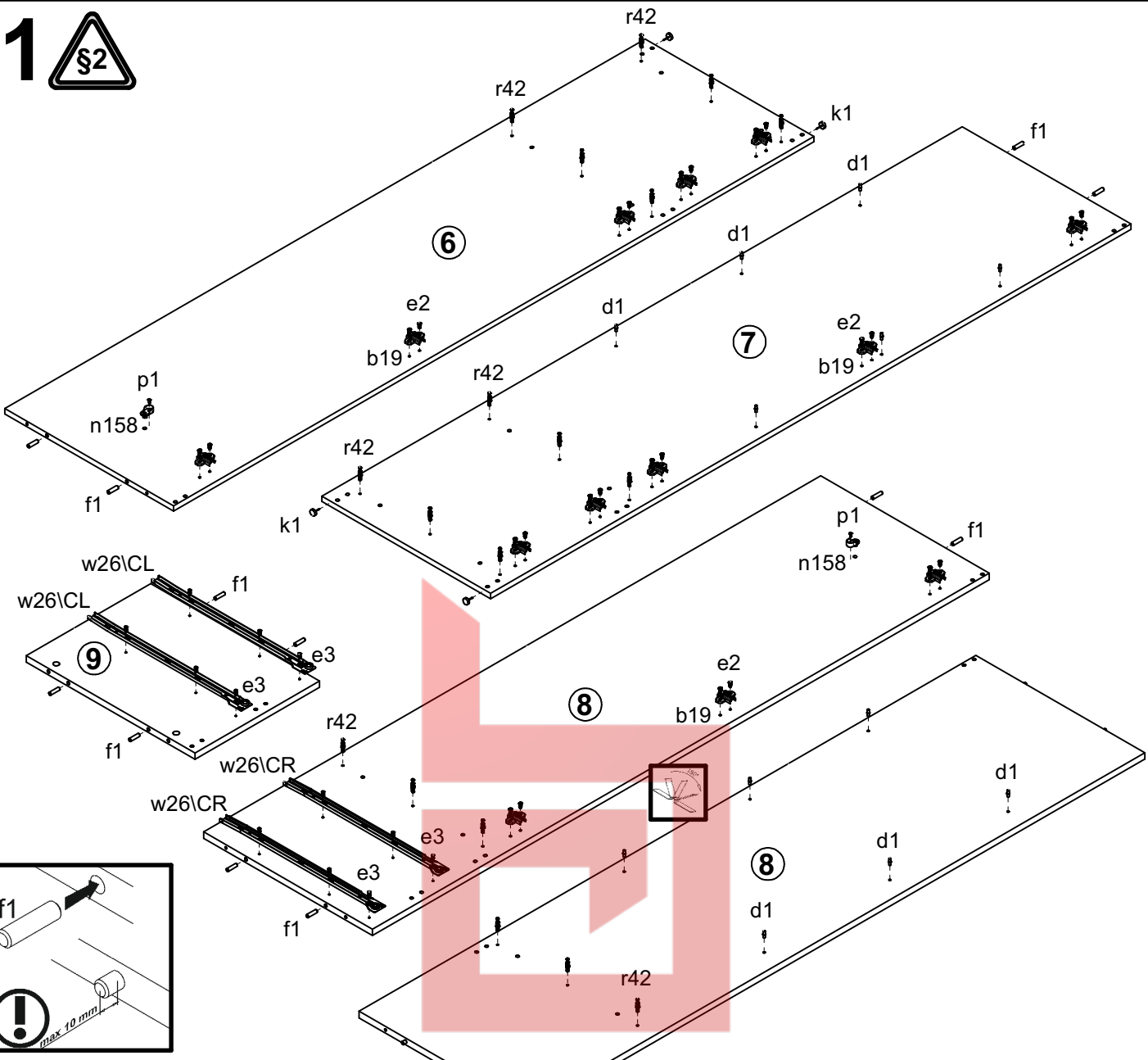


A	B	C		D	A	B	C		D
1	S162-0010	1543	494	4/4	14	S162-3310	488	540	2/4
2	S162-0011	404	494	4/4	15	S162-4405	488	60	2/4
3	S162-0012	404	494	4/4	16	S162-4406	1500	60	2/4
4	S162-0014	1543	494	4/4	17	S162-4411	994	60	2/4
5	S162-0015	494	176	4/4	18	S162-504	1493	29	1/4
6	S162-1114	2050	540	1/4	19	S162-9910	2000	507	1/4
7	S162-1115	2050	540	1/4	20	S162-9911	461	505	2/4
8	S162-1116	1975	540	1/4	21	S162-9912	2000	510	1/4
9	S162-1117	399	540	2/4	22	ZS3-529	500	100	2/4
10	S162-2205	1534	566	2/4	23	ZS3-530	500	100	2/4
11	S162-3307	994	540	2/4	24	ZS3-5521	439	100	2/4
12	S162-3308	1500	540	2/4	25	dr-990	990	30	2/4
13	S162-3309	487	539	2/4	26	Lh-1970	1970	14	1/4

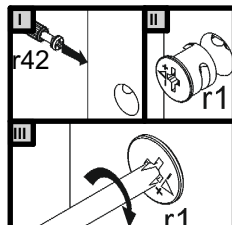
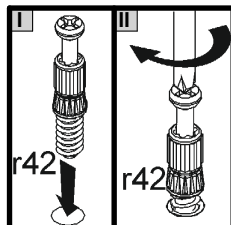
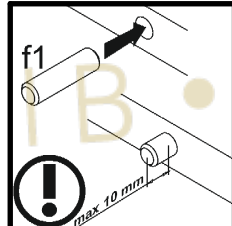
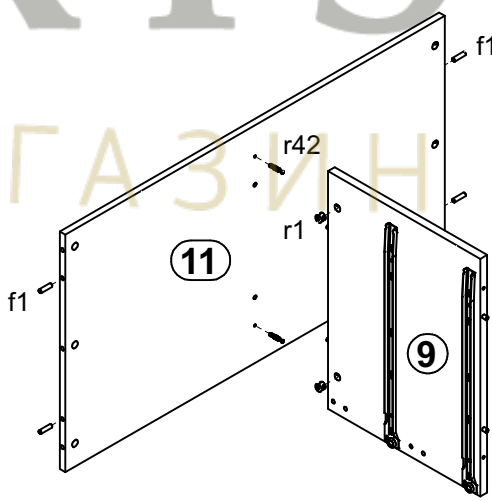


13x b19	12x d1 5x17 mm	10x e1 11/7x50 mm	12x e19 11/5x9 mm	26x e2 11/6, 3x13 mm	12x e3 11/6x13 mm	48x f1 11/6x30 mm	6x f6 11/6x50 mm	8x f25 11/6, 5x40 mm
6x k1	130x l1	1x n56 32x16x15,1 mm	2x n158	2x p1 11/6, 5x13 mm	2x p27 11/6, 5x13 mm	16x p38 11/6, 5x16 mm	26x p51 11/6, 5x15 mm	20x r1 11/1, 2x12 mm #16
8x r15 11/1, 2x10,5 mm #12	28x r42	2x w26 CL 500 mm	2x w26 CR 500 mm	2x w26 DL 500 mm	2x w26 DR 500 mm	1x z1		

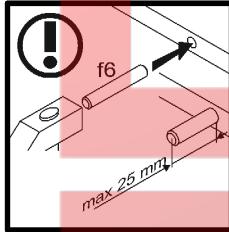
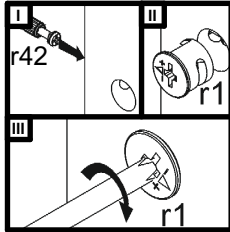
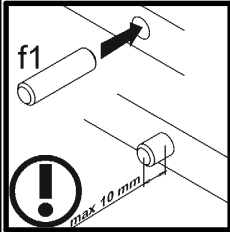
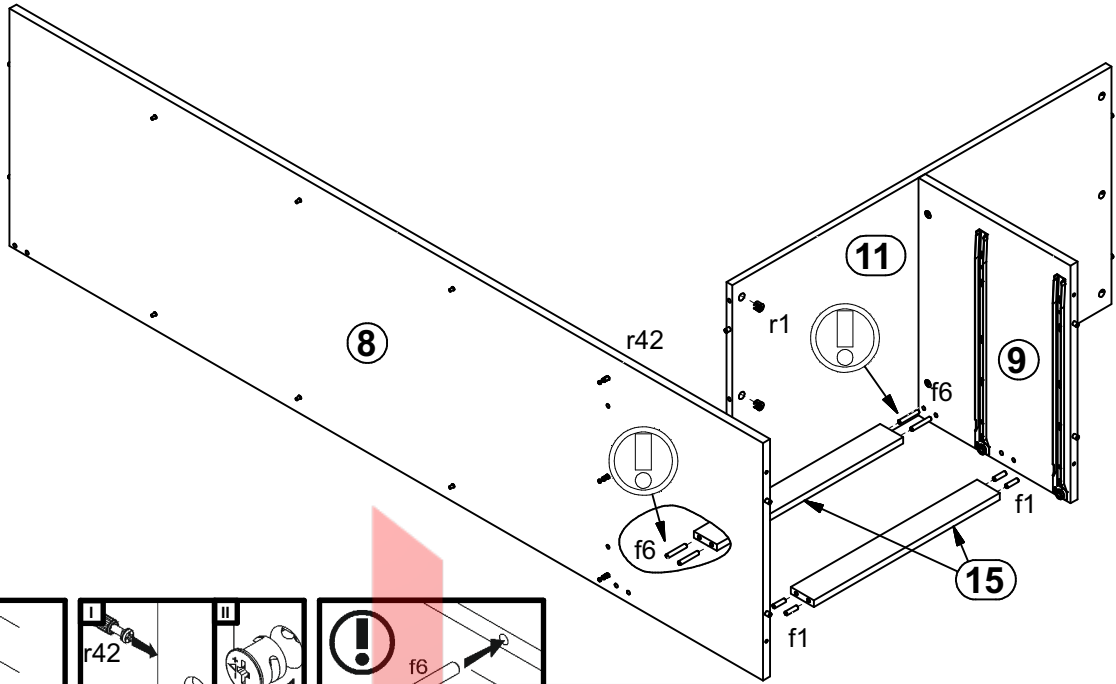
# 1



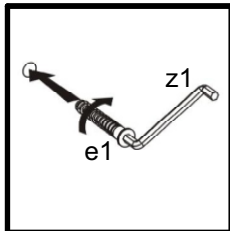
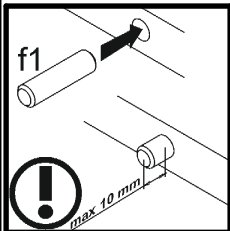
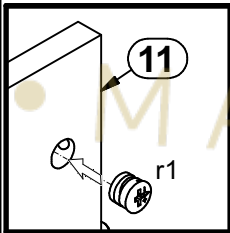
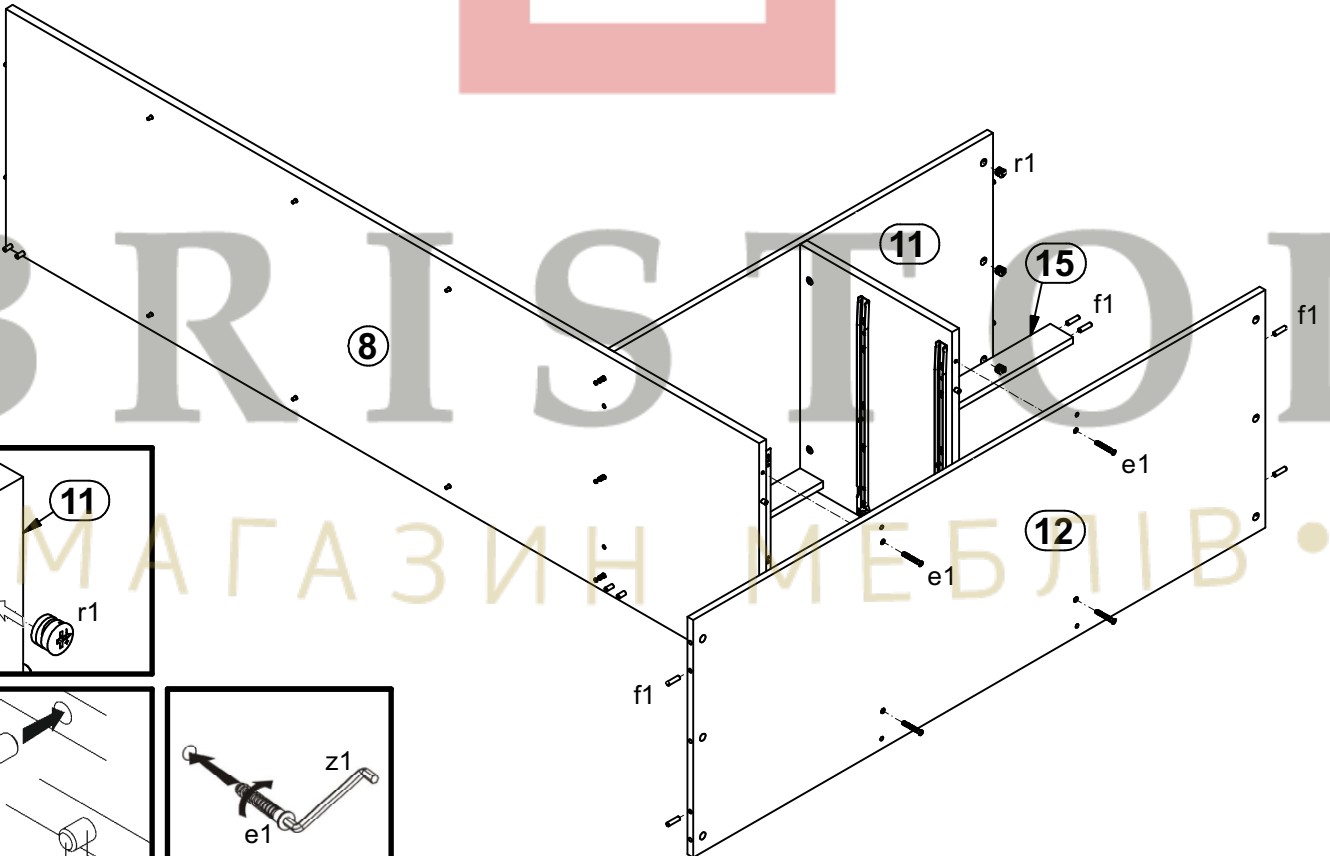
# 2



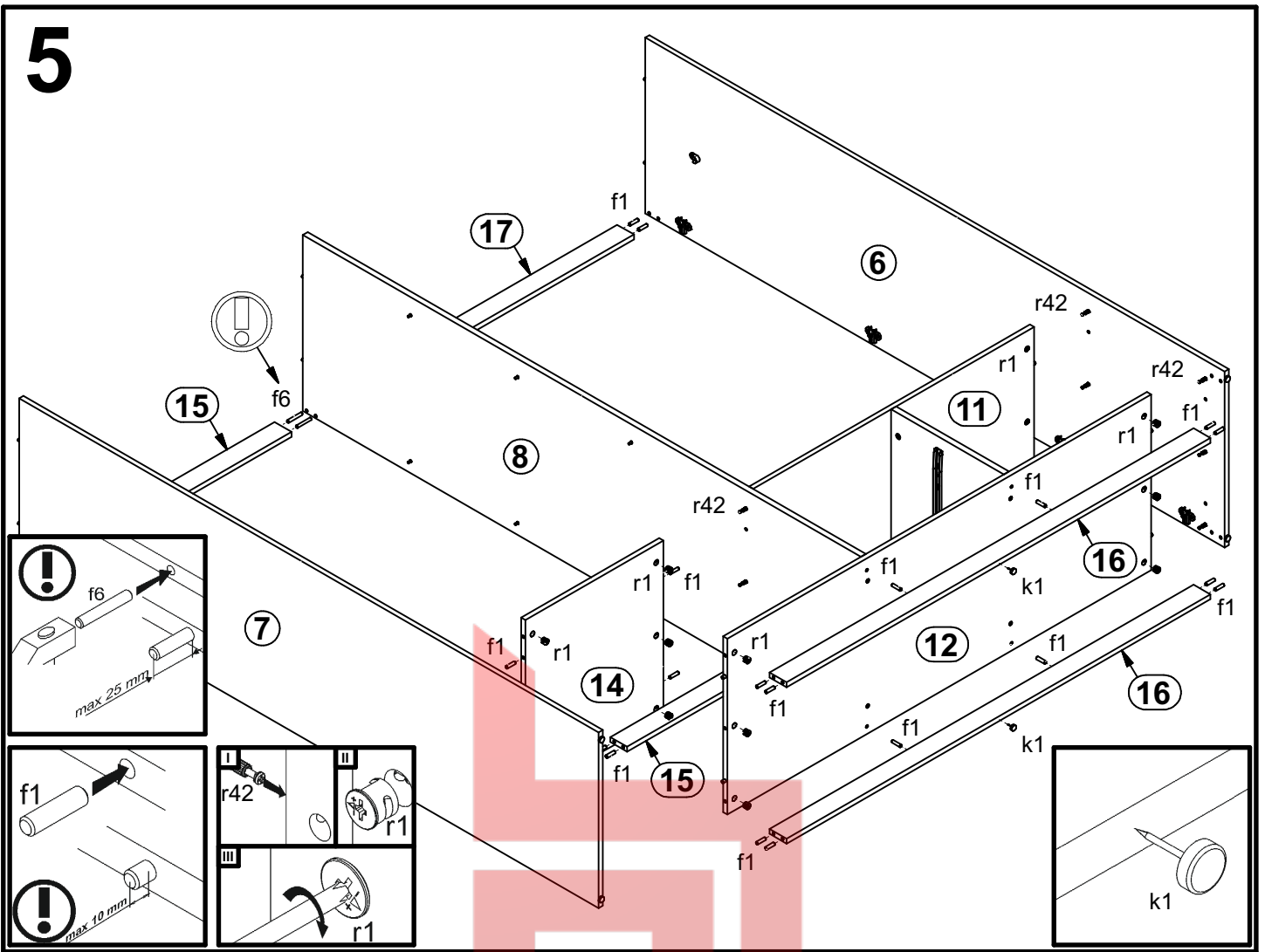
# 3



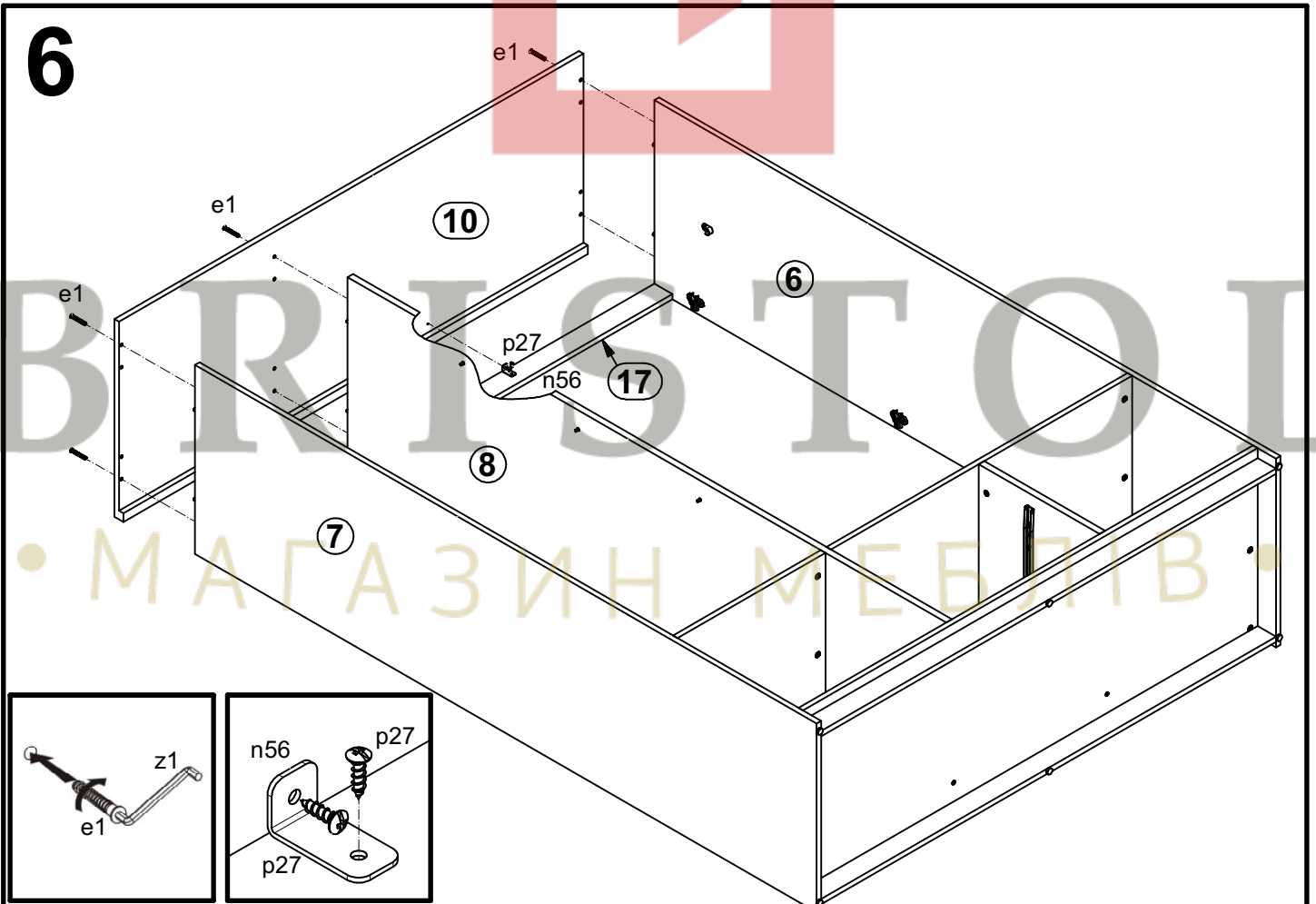
# 4



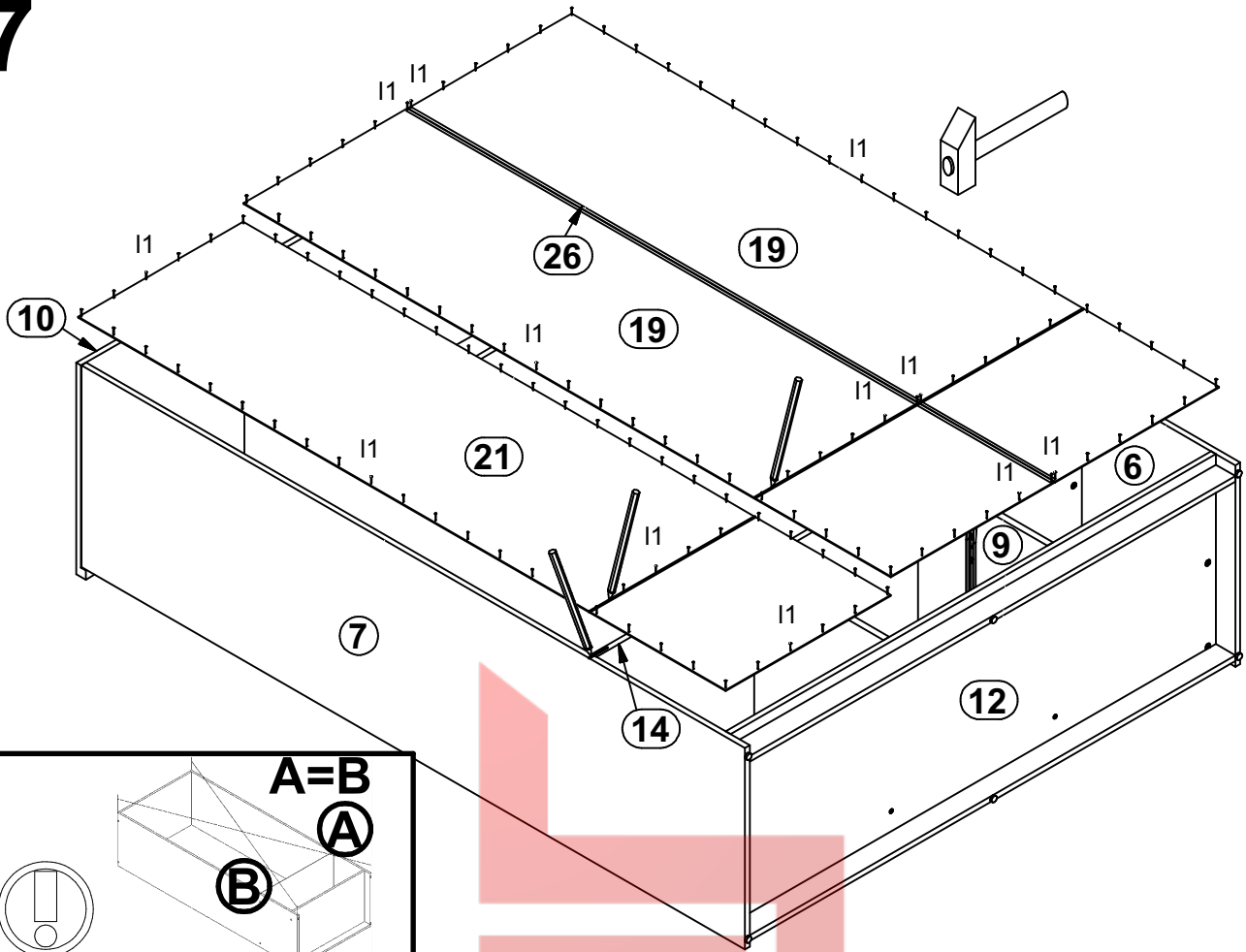
# 5



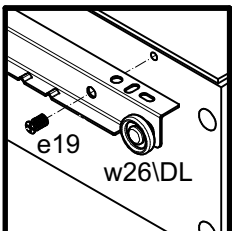
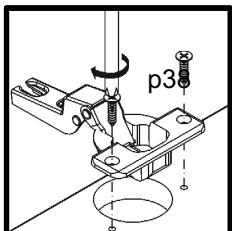
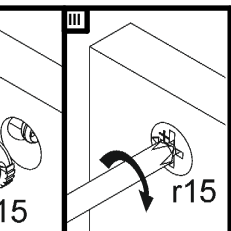
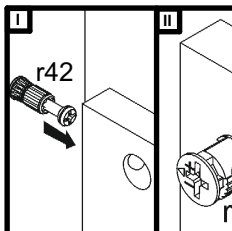
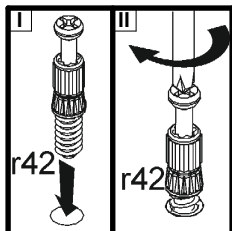
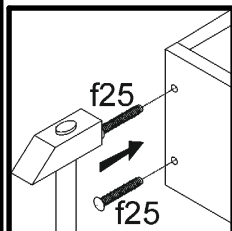
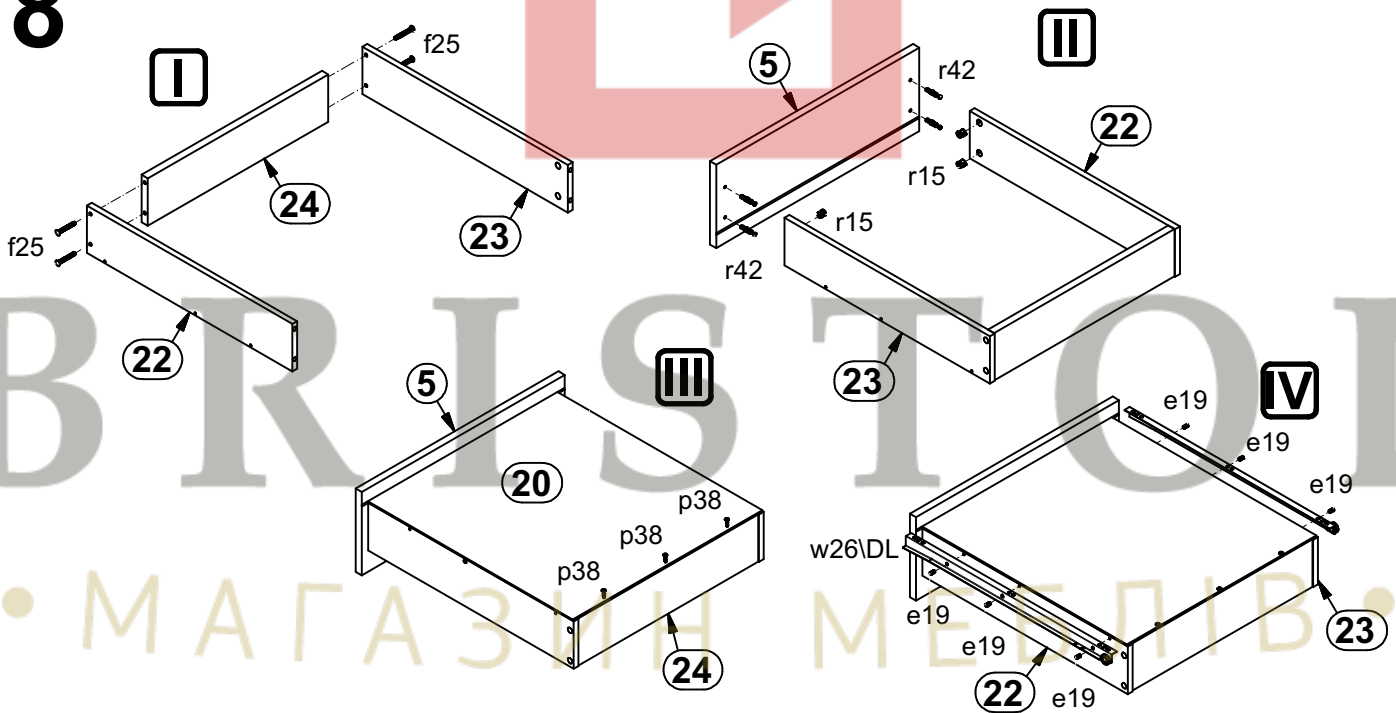
# 6



# 7



# 8



# 9

