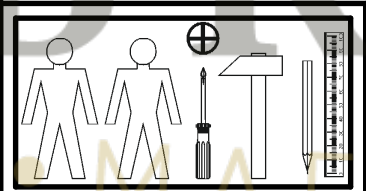
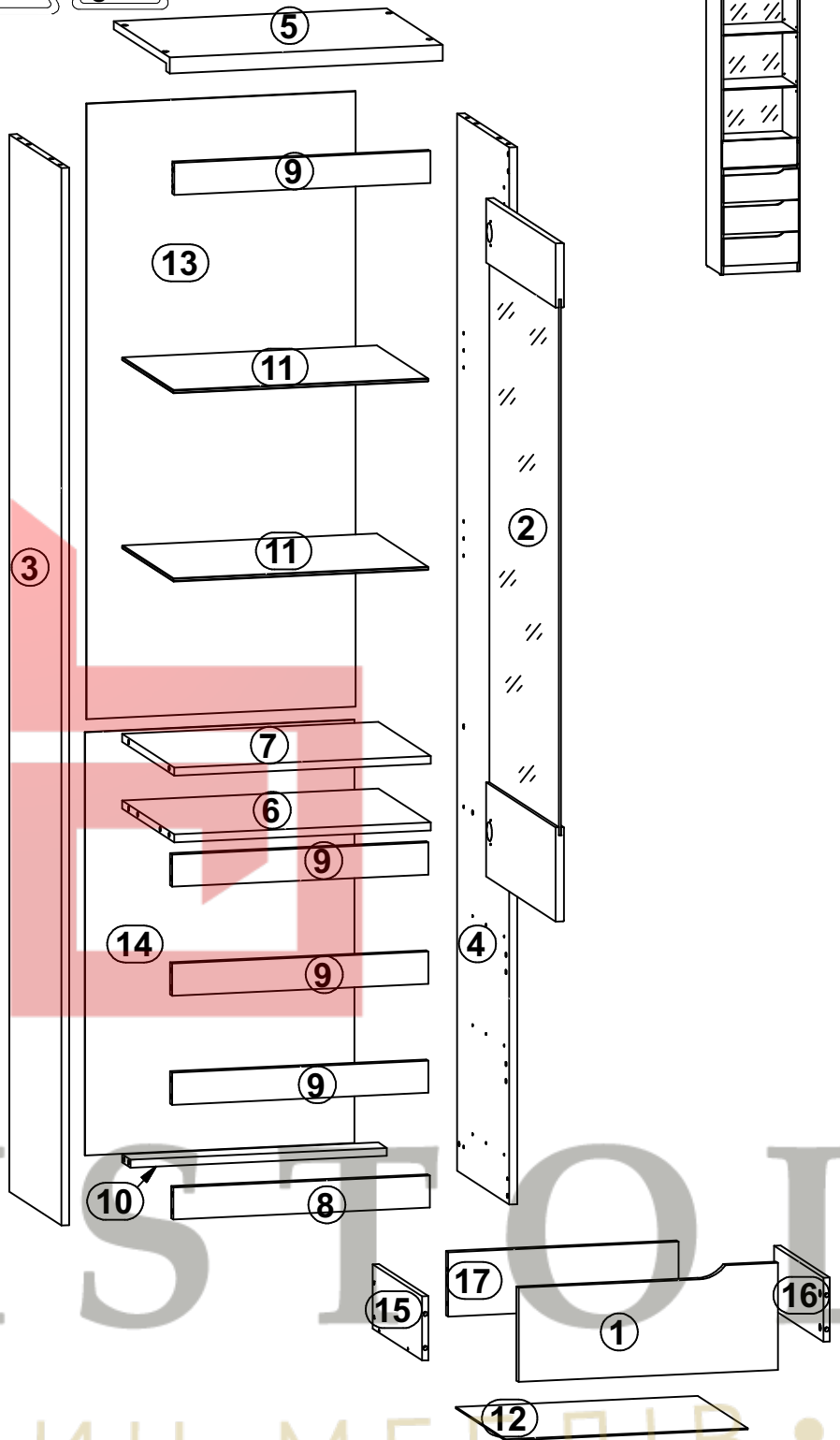
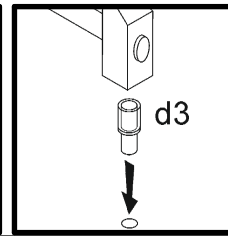
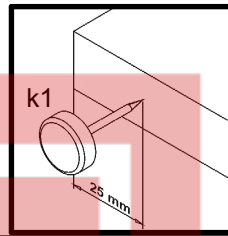
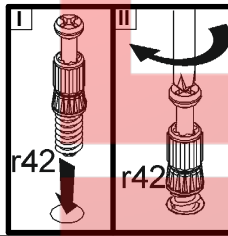
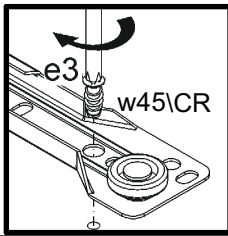
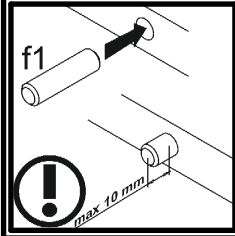
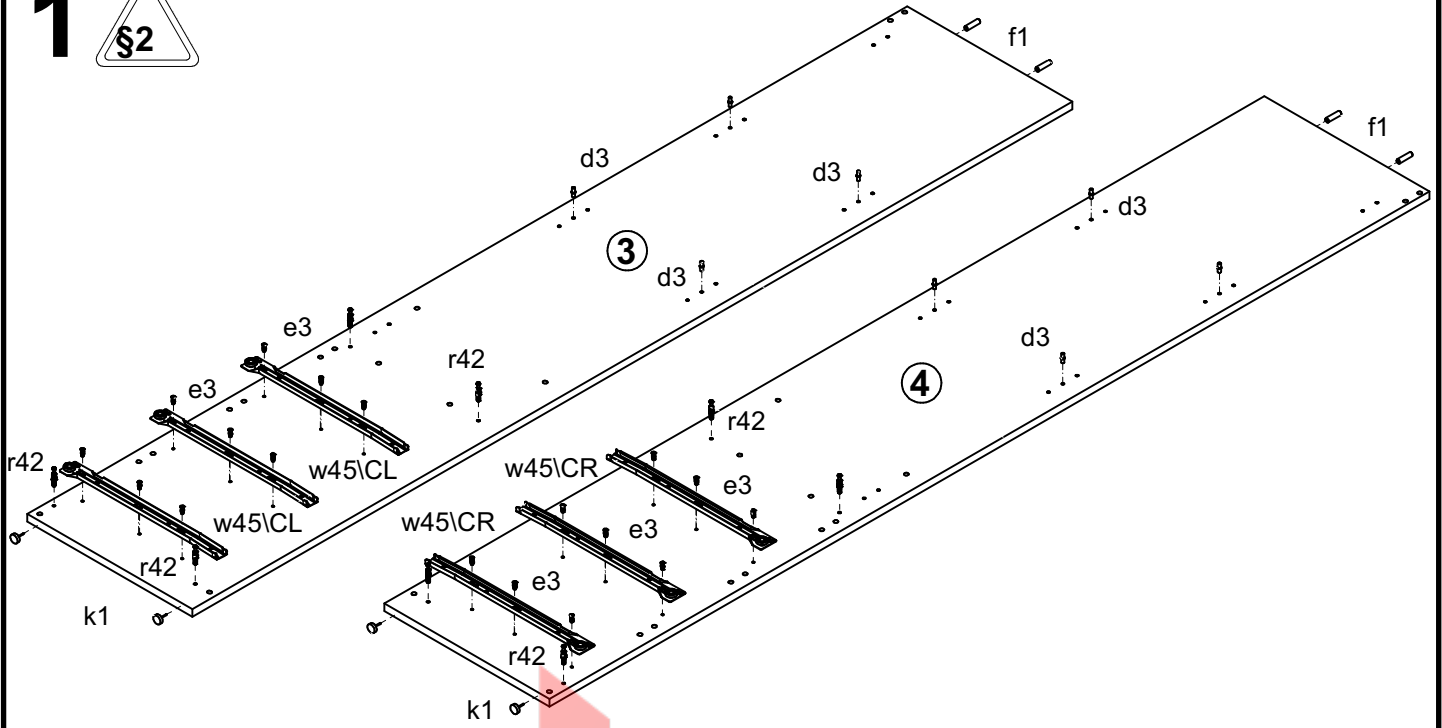


A	B	C	D	
1	S162-0002	494	200	4/5
2	S162-003	494	1268	5/5
3	S162-1103	1977	371	1/5
4	S162-1104	1977	371	1/5
5	S162-2206	522	397	2/5
6	S162-3301	488	371	2/5
7	S162-3311	488	371	2/5
8	S162-4404	488	60	2/5
9	S162-4405	488	60	2/5
10	S162-4408	488	60	2/5
11	S162-502	486	363	3/5
12	S162-9904	461	355	2/5
13	S162-9913	1151	513	5/5
14	S162-9914	791	513	5/5
15	ZS3-509	350	120	2/5
16	ZS3-510	350	120	2/5
17	ZS3-5506	439	120	2/5

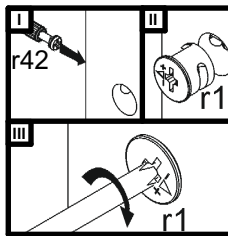
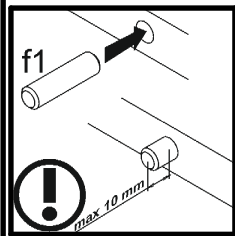
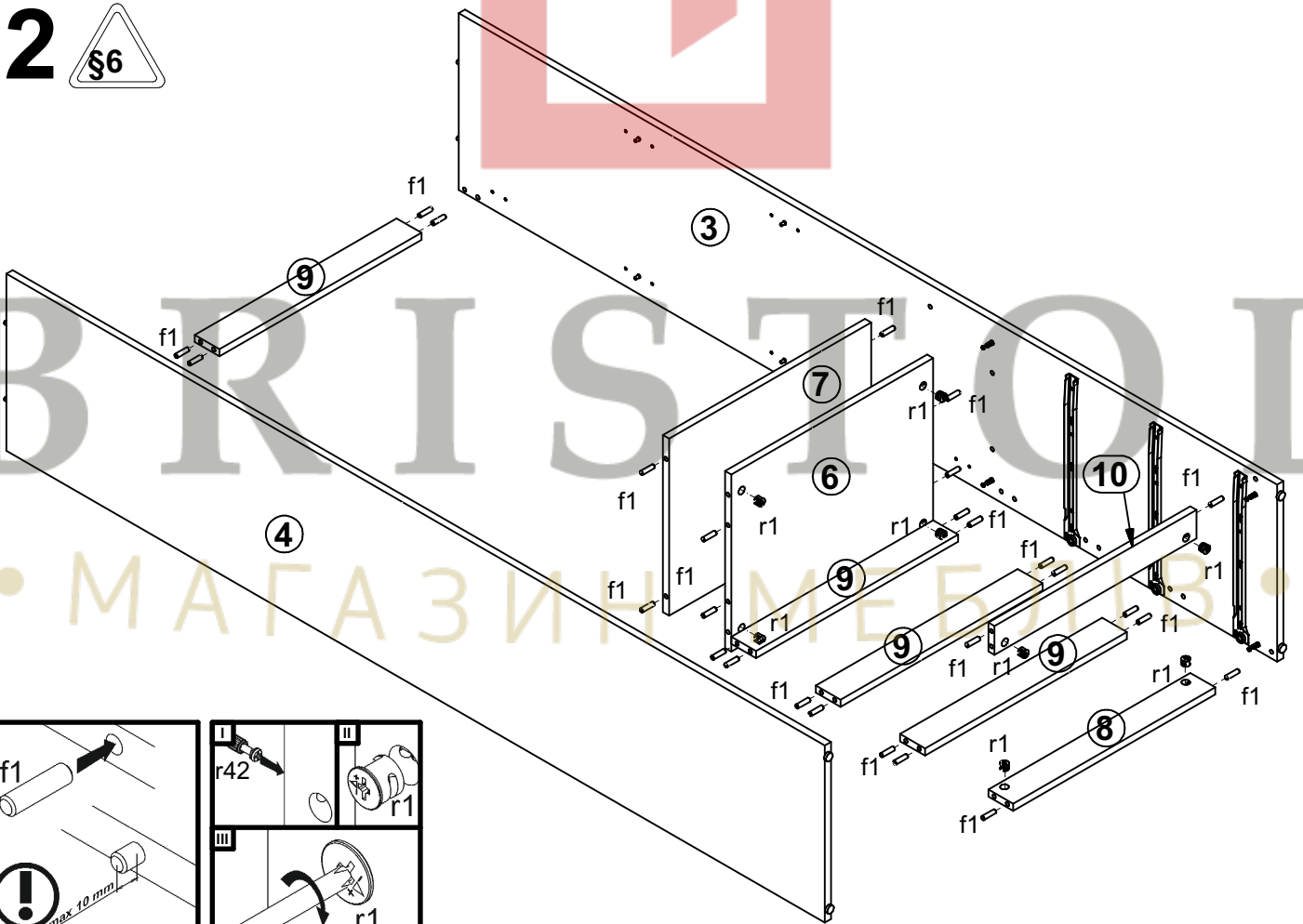


2x a68	2x b19	8x φ5x17 mm d3	4x φ7x50 mm e1	12x φ5x9 mm e19	4x φ6,3x13 mm e2	18x φ6x13 mm e3	32x φ8x30 mm f1	12x φ6,5x40 mm f25
4x k1	60x l1	9x φ3,5x16 mm p38	4x φ3,5x15 mm p51	8x φ1,5x12mm #16 r1	12x φ12x10,5mm #12 r15	20x r42	3x 350 mm w45ICL	3x 350 mm w45ICR
3x 350 mm w45IDL	3x 350 mm w45IDR	1x z1	1x n26/1	1x φ3,5x16 mm p38				

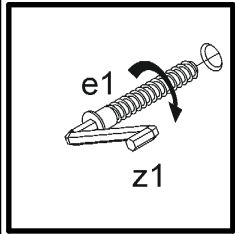
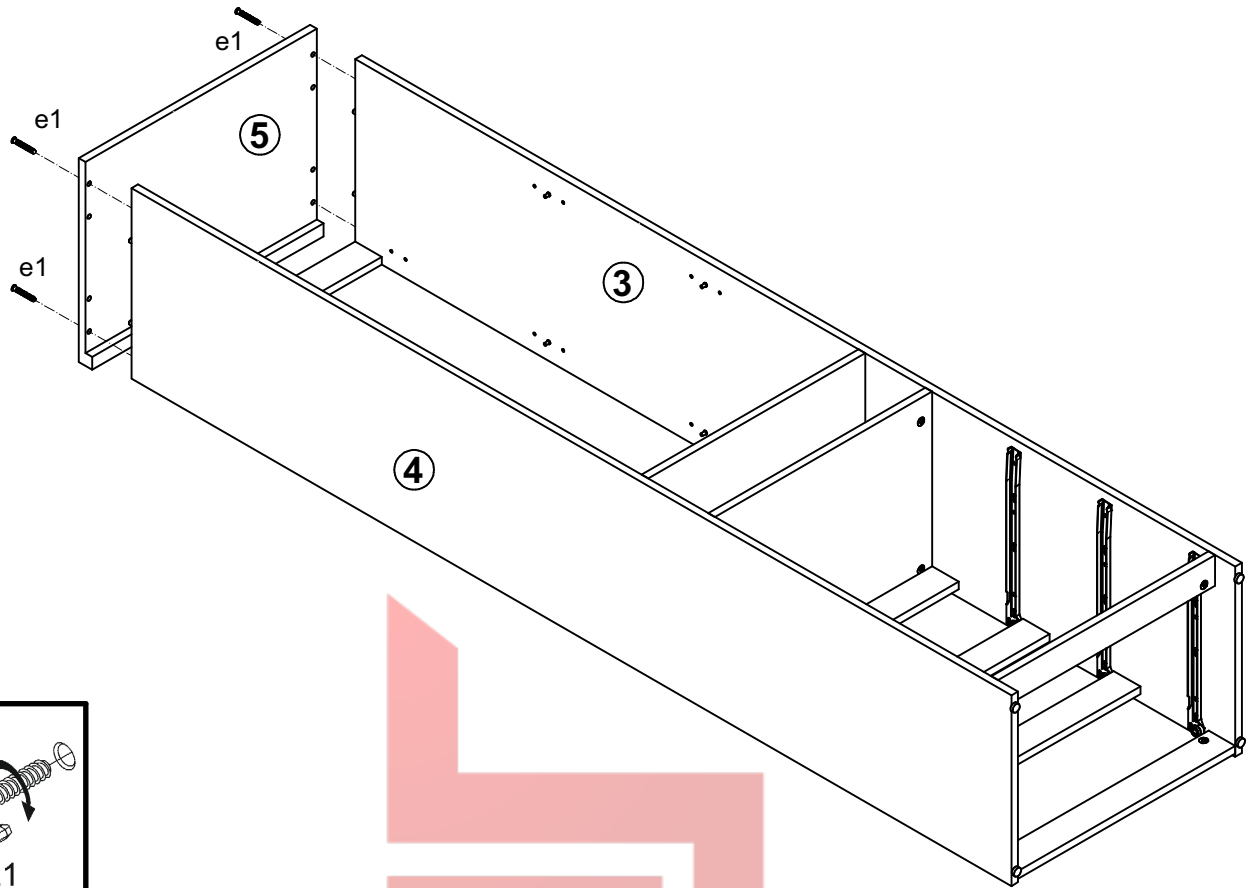
1



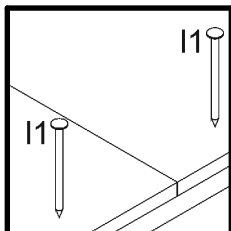
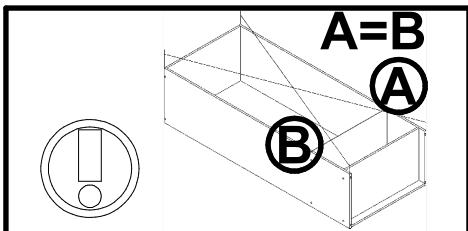
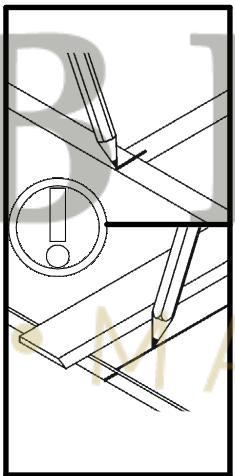
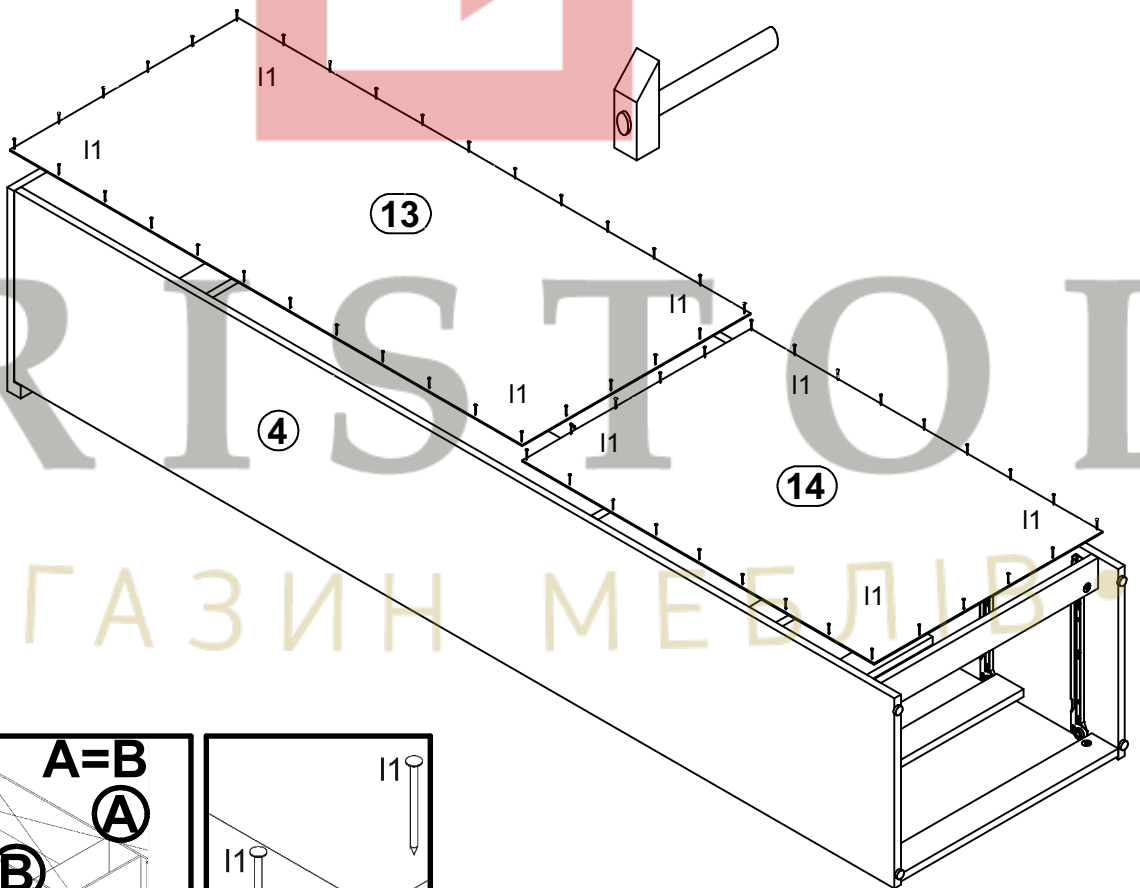
2

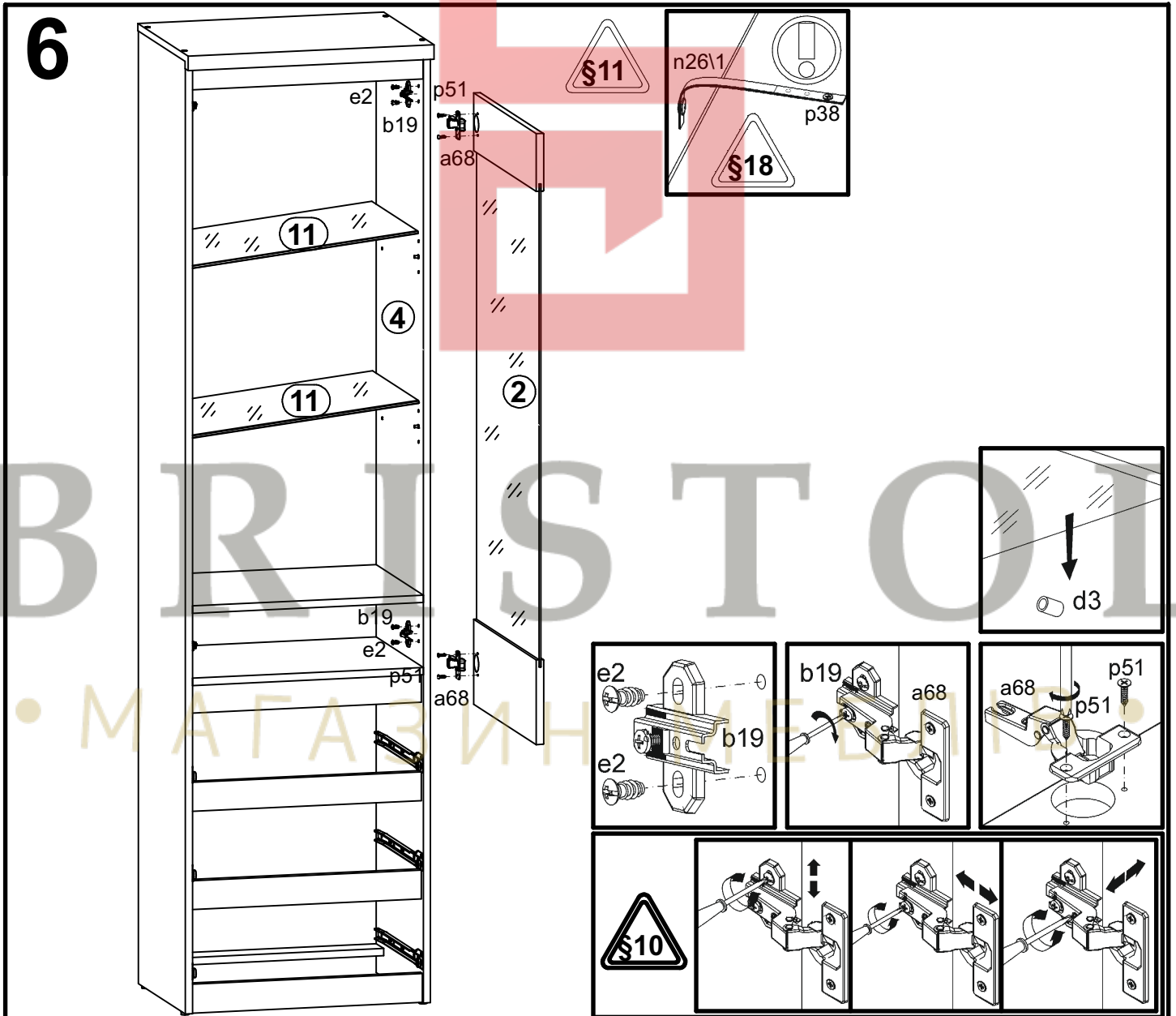
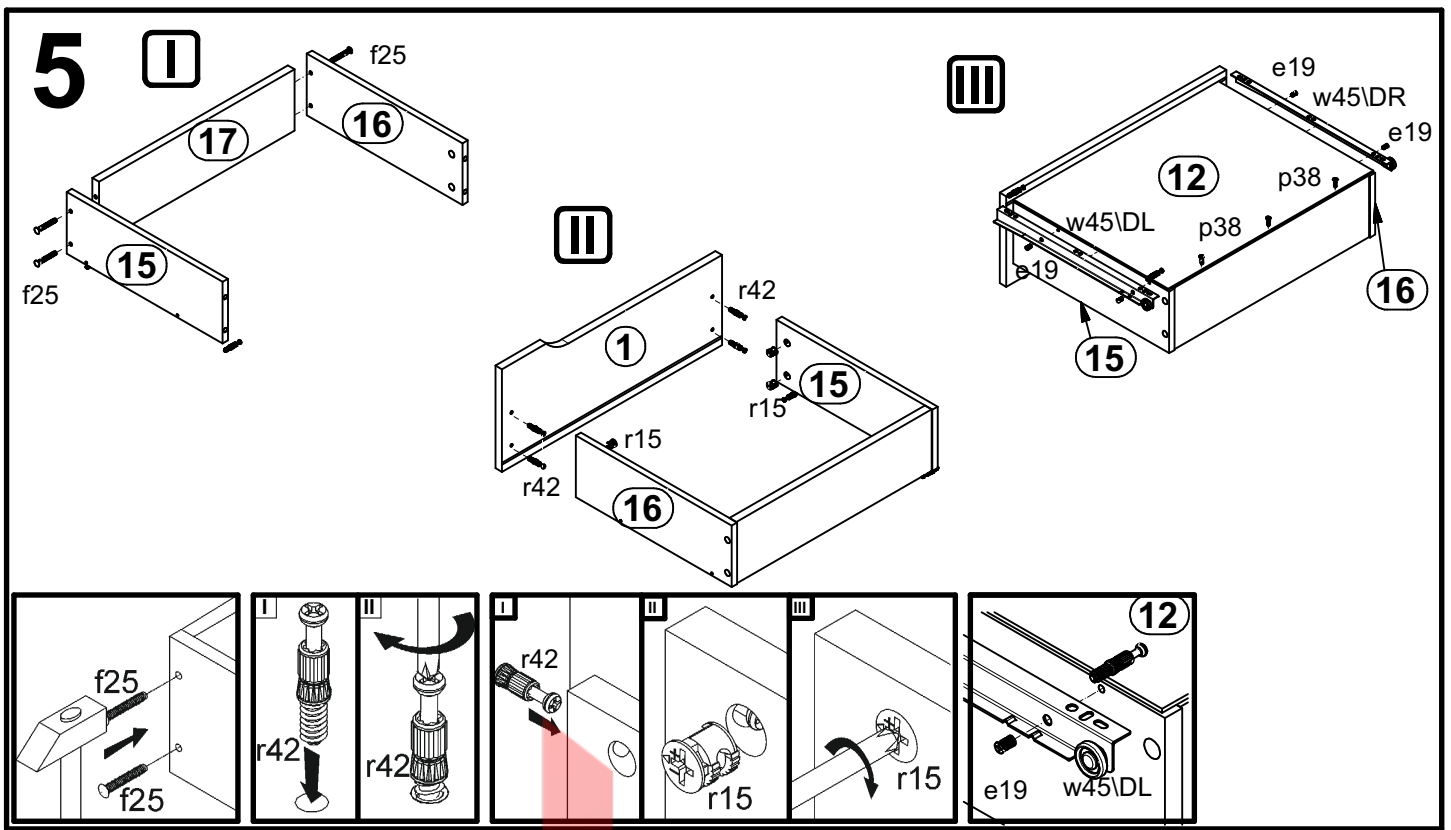


3

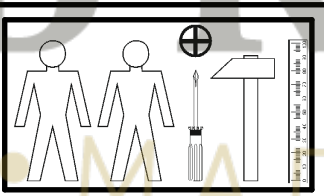
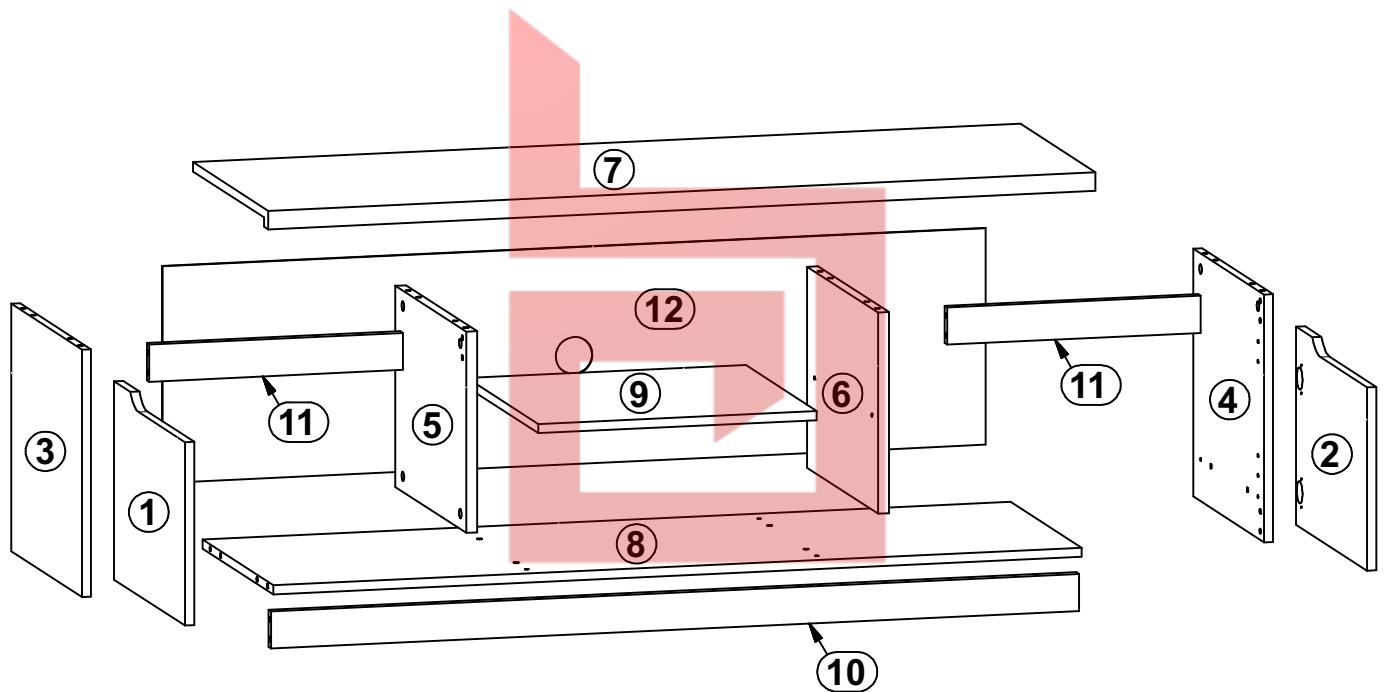
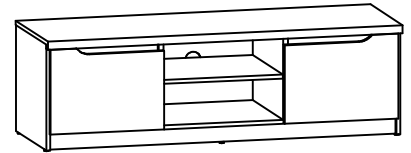


4



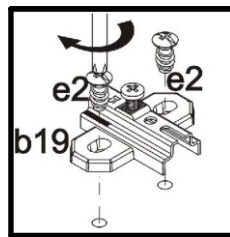
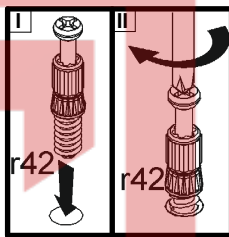
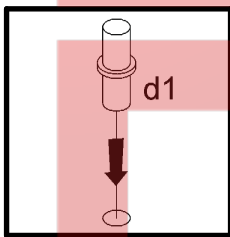
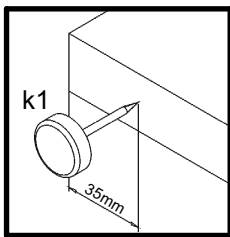
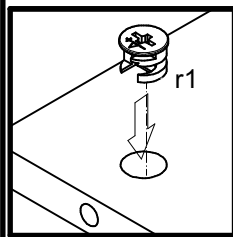
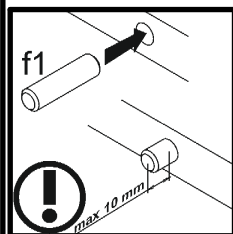
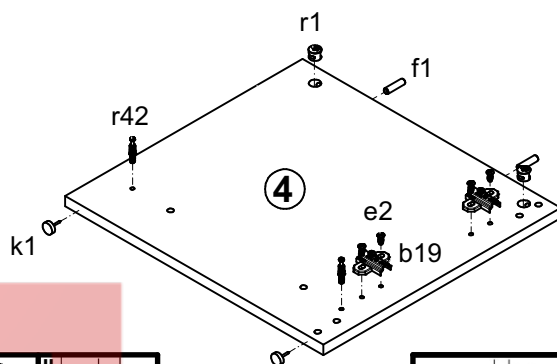
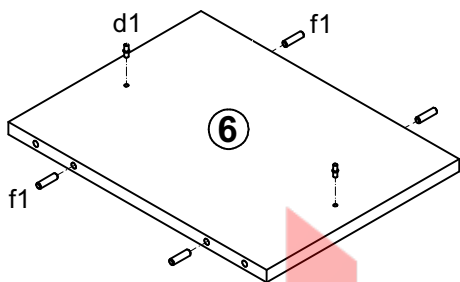
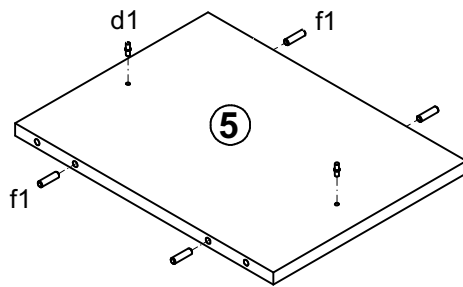
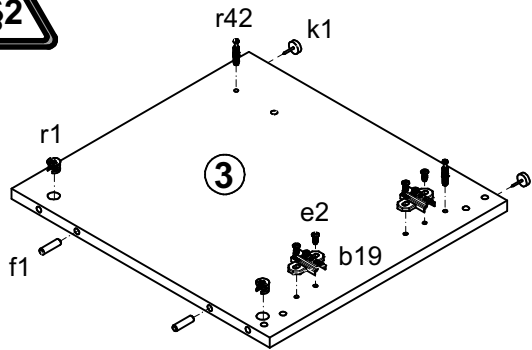


A	B	C	D
1	S162-0024	320	436 2/2
2	S162-0025	320	436 2/2
3	S162-1129	400	435 1/2
4	S162-1130	400	435 1/2
5	S162-1131	325	435 1/2
6	S162-1132	325	435 1/2
7	S162-2210	1363	461 1/2
8	S162-3321	1329	435 1/2
9	S162-3322	458	434 1/2
10	S162-4409	1329	60 1/2
11	S162-4421	417	60 1/2
12	S162-9922	350	1354 1/2

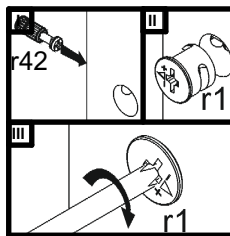
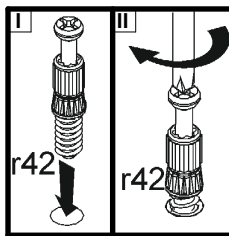
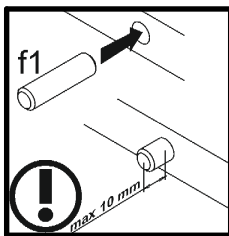
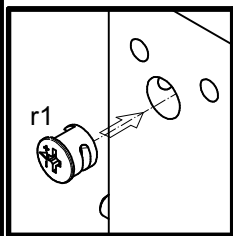
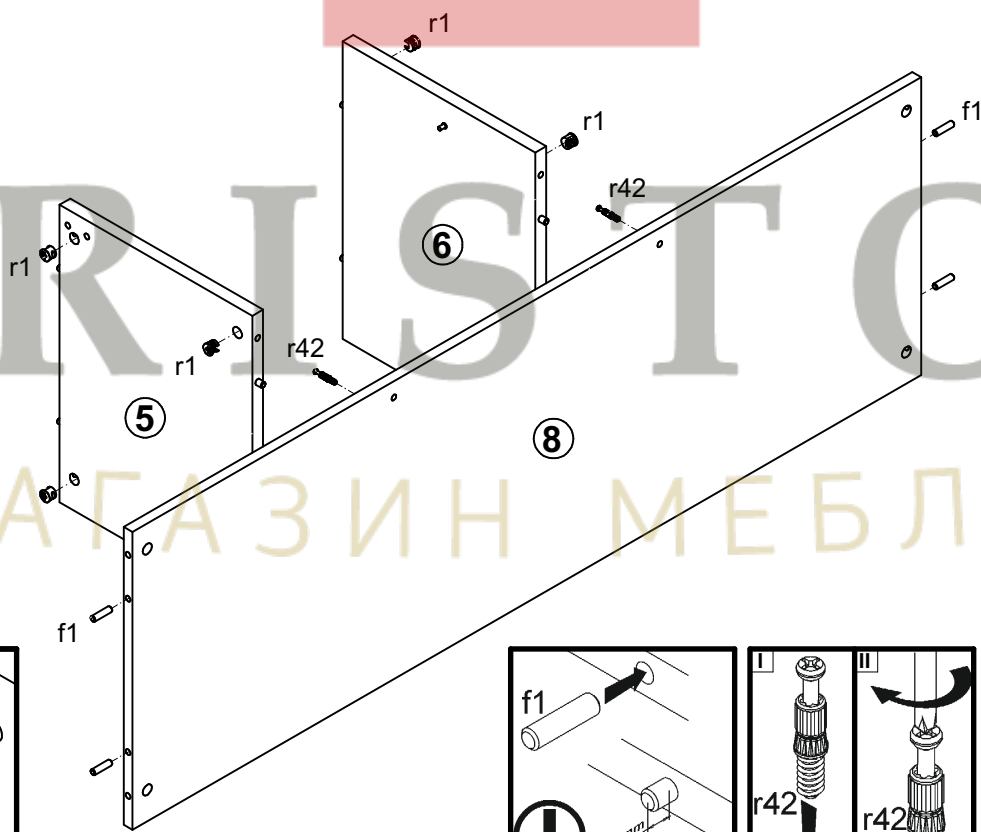


4x a68	4x b19	4x d1 ∅5x17 mm	8x e2 ∅6.3x13 mm	30x f1 ∅8x30 mm	5x k1	45x l1	8x p51 ∅6.5x15 mm	16x r1 ∅1.5x12 mm #16
16x r42	4x s2 ∅16							

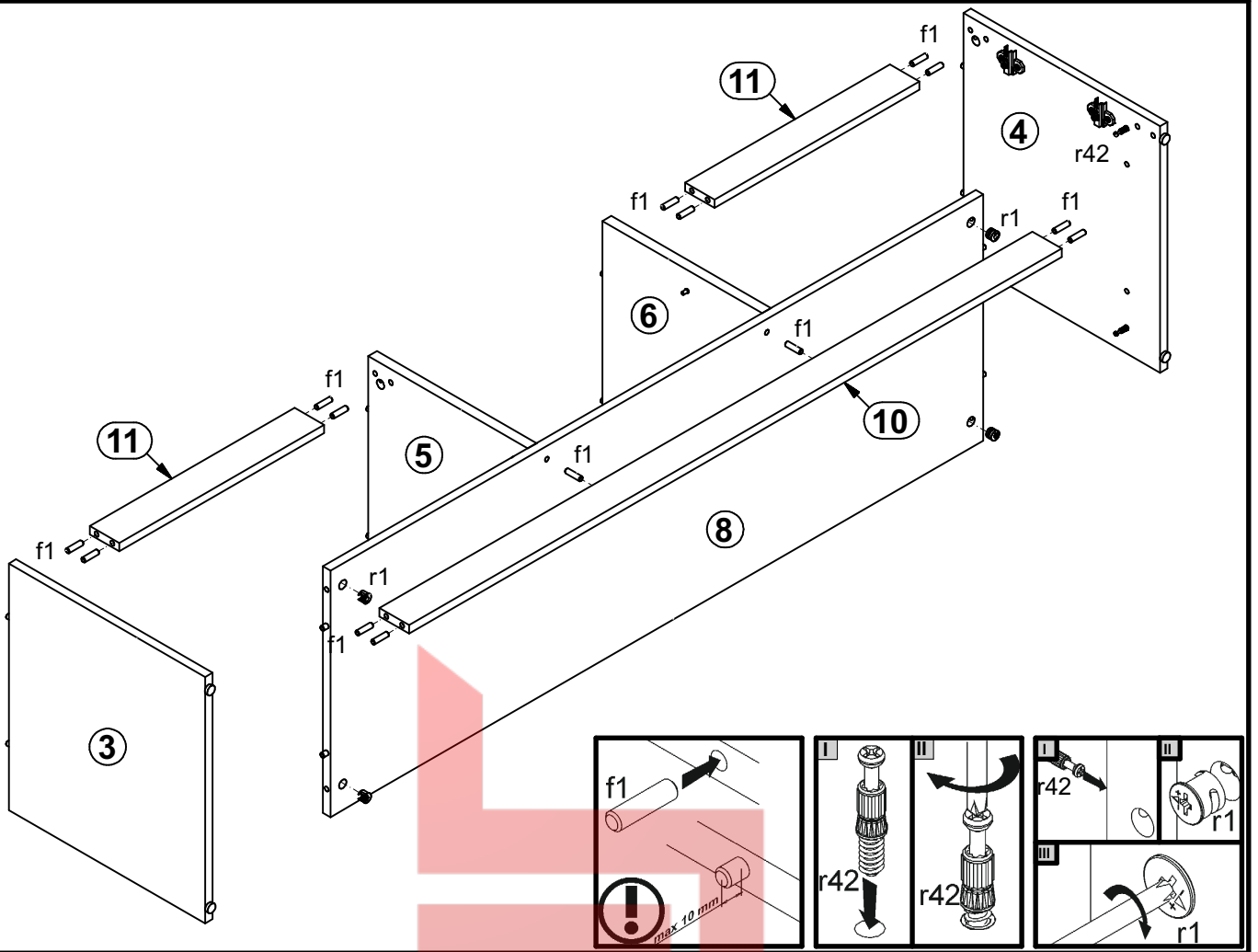
1



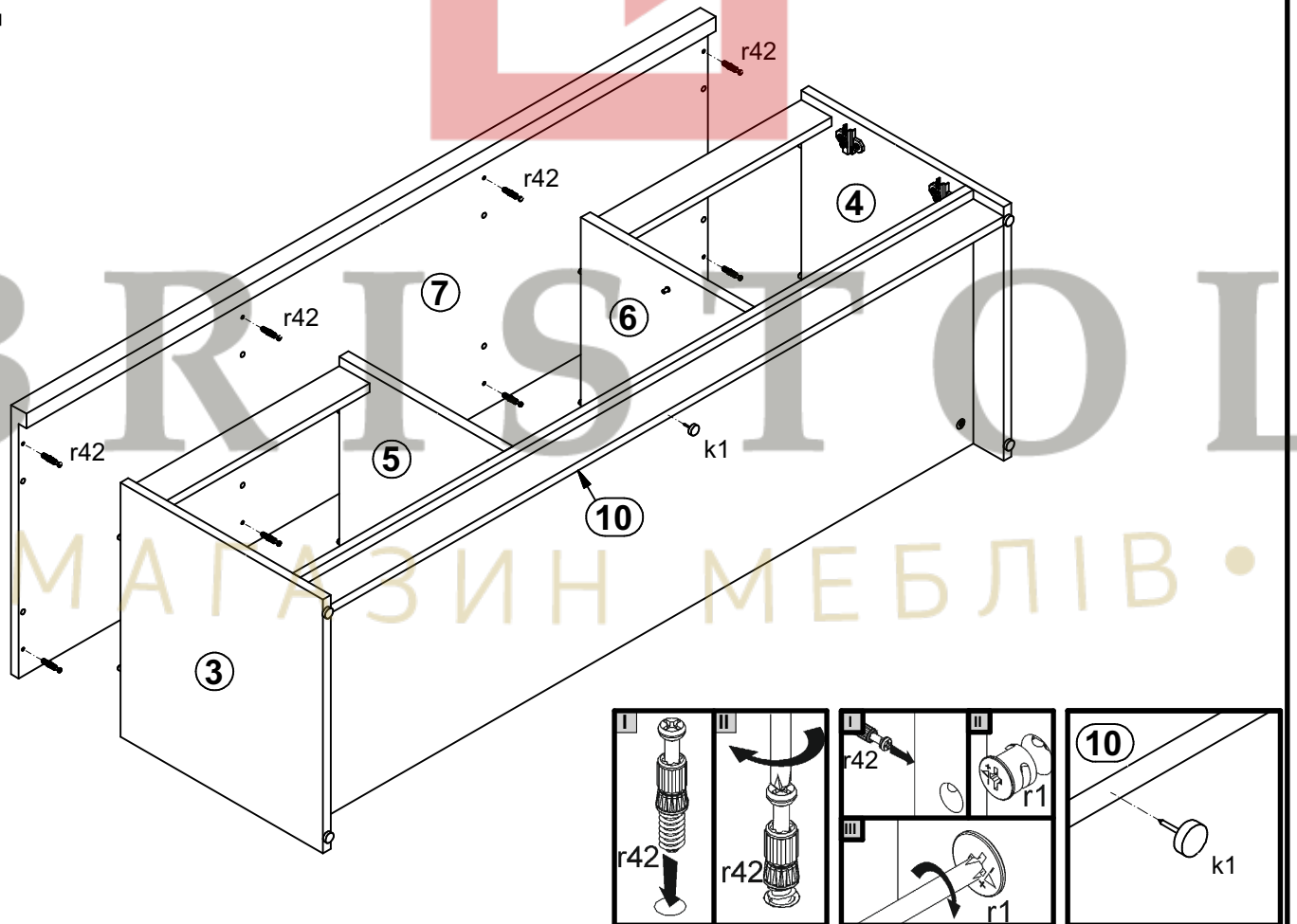
2



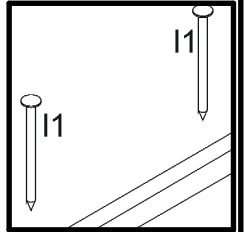
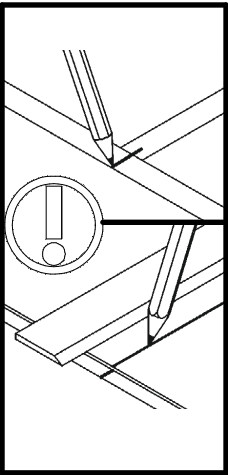
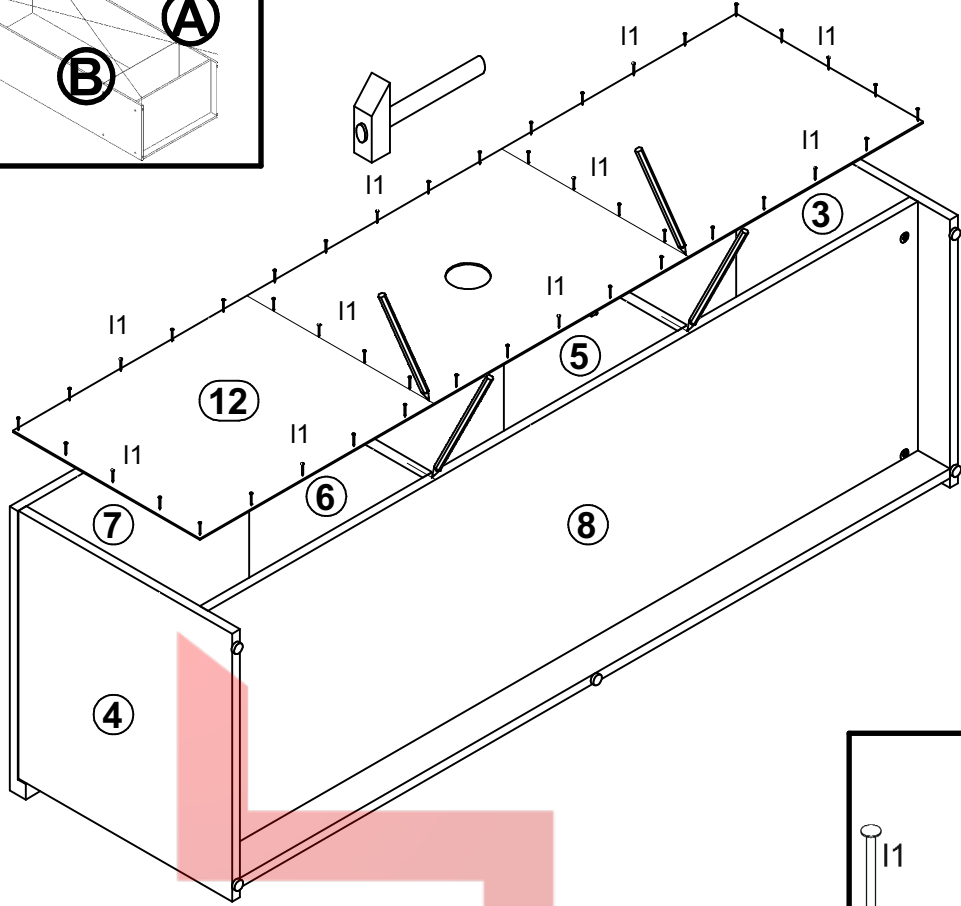
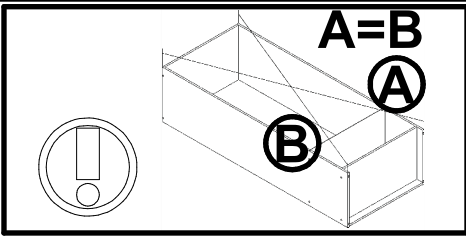
3



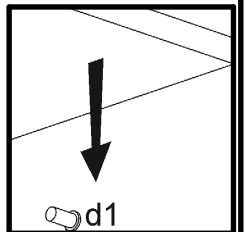
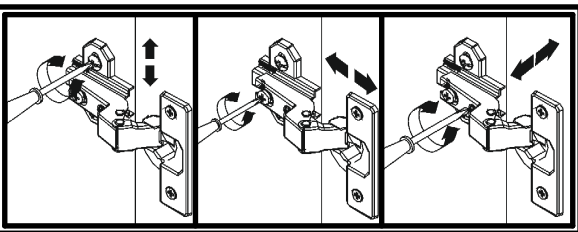
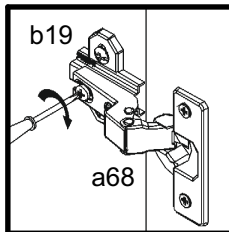
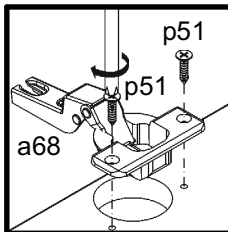
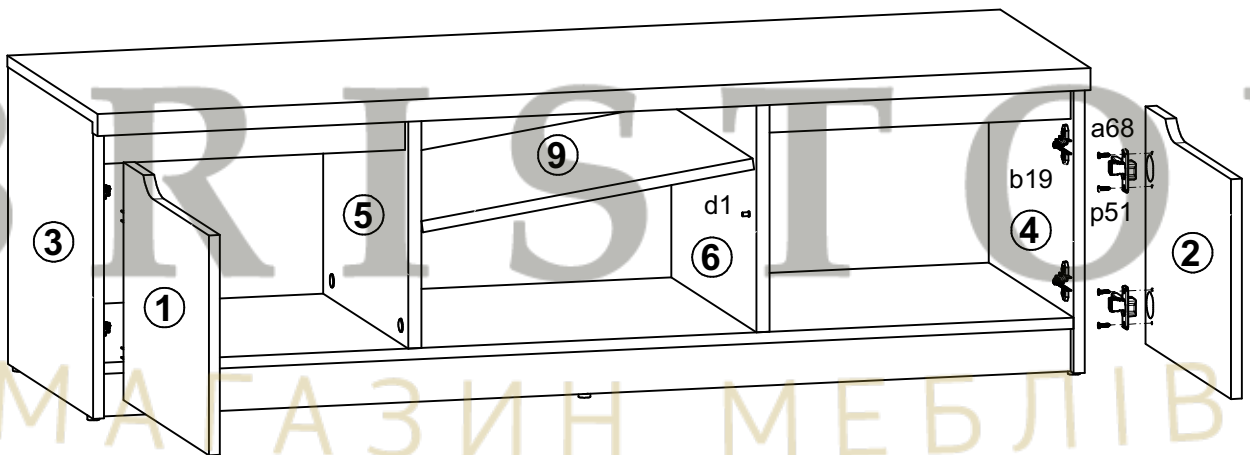
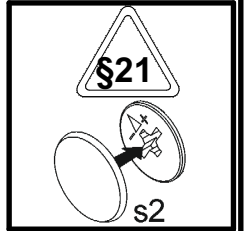
4



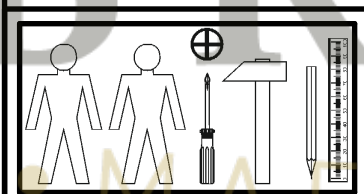
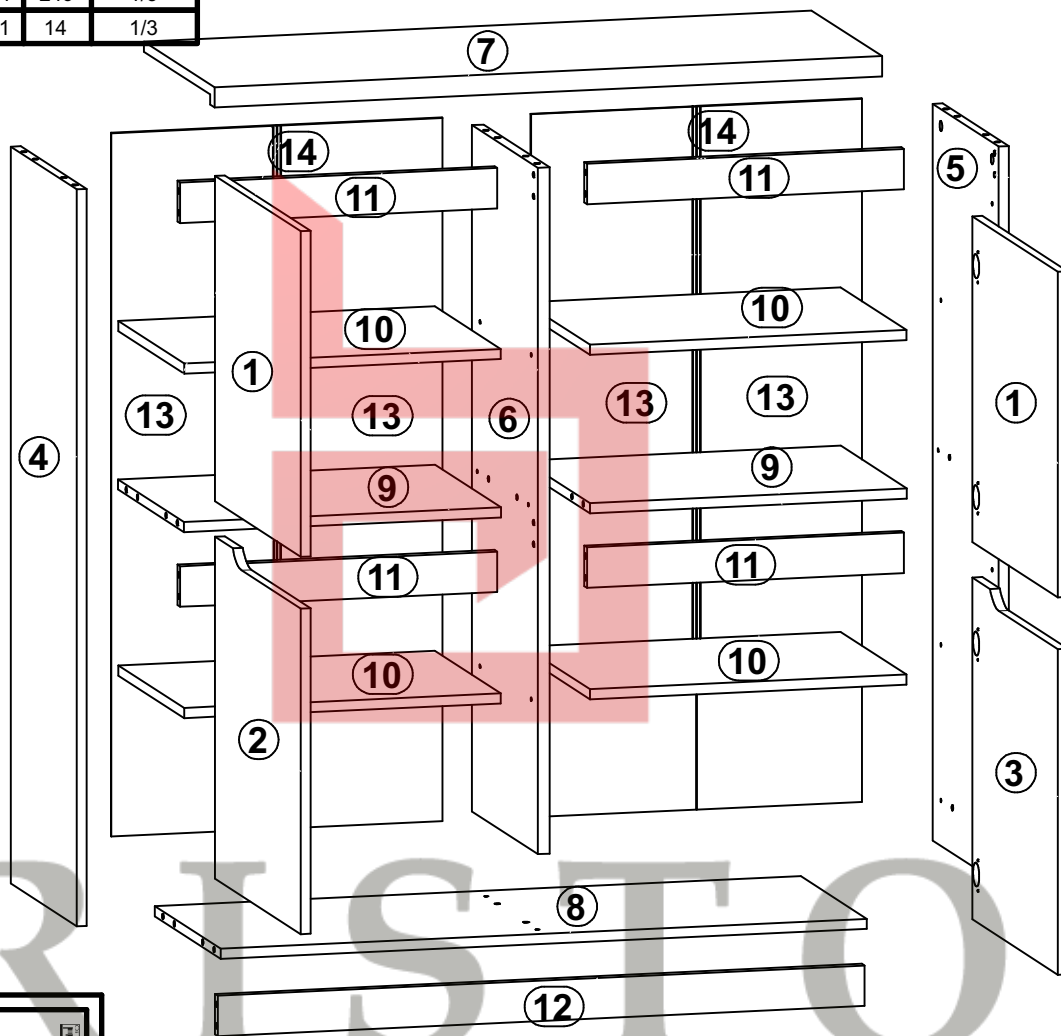
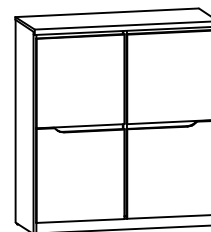
5



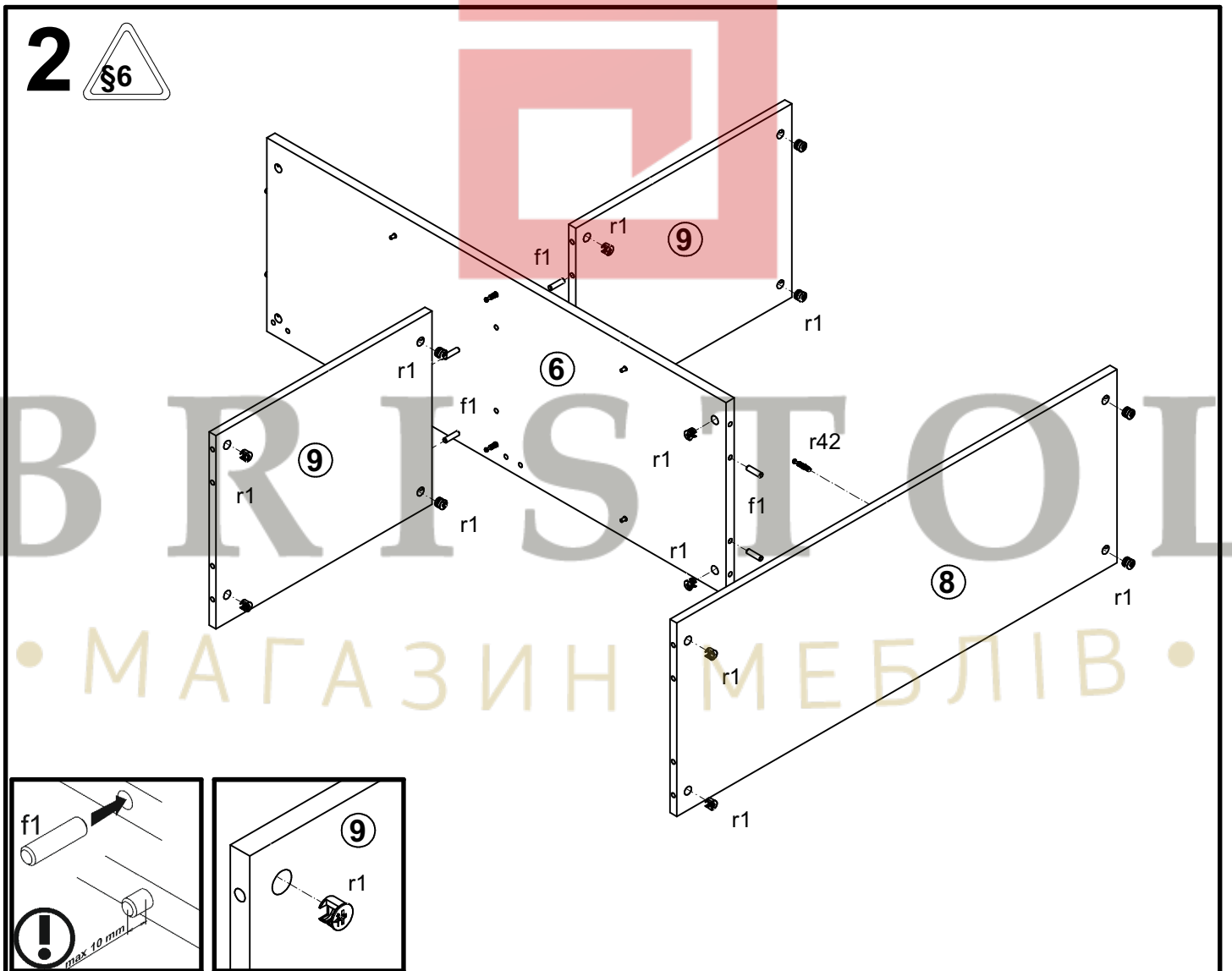
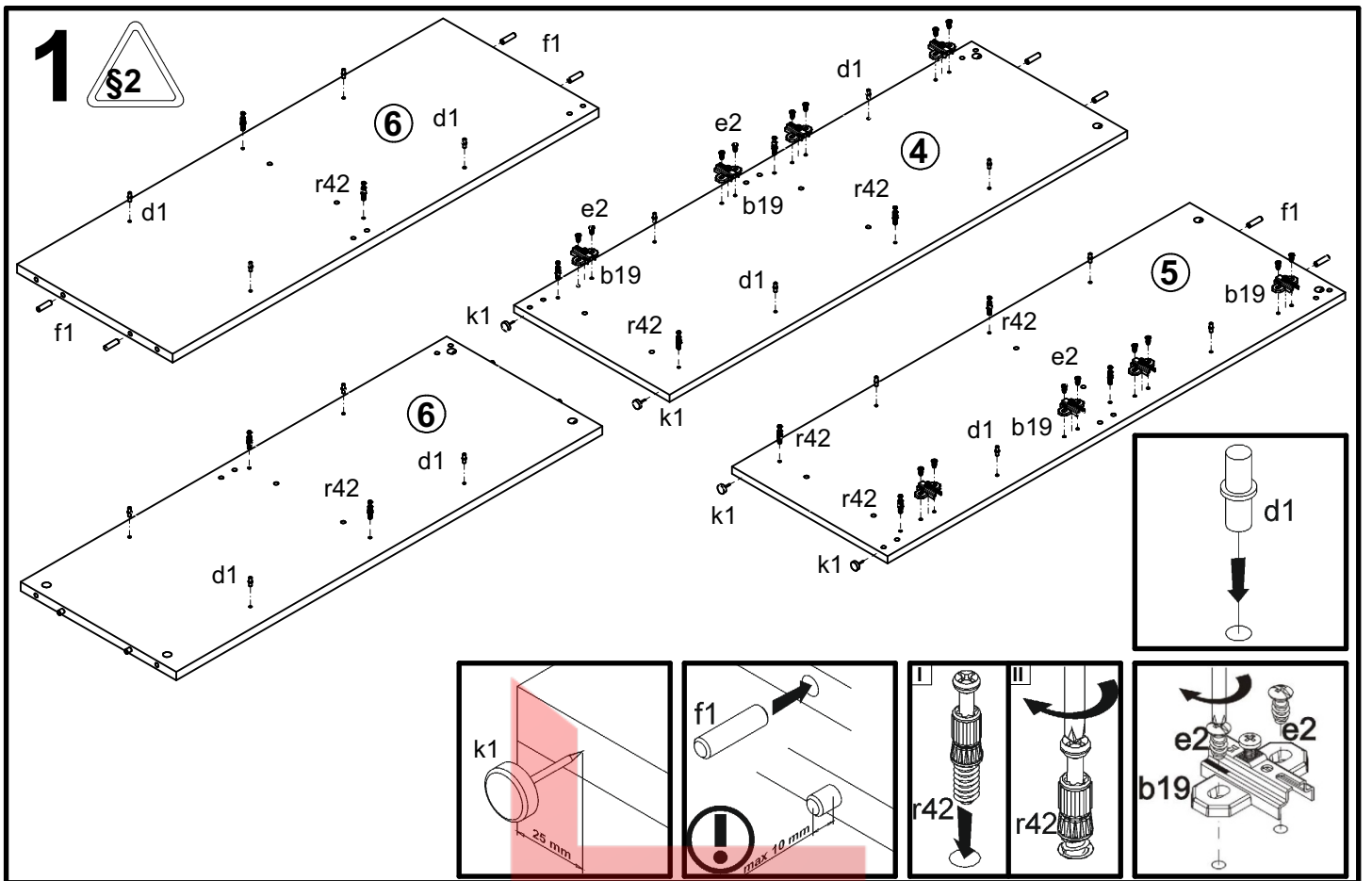
6



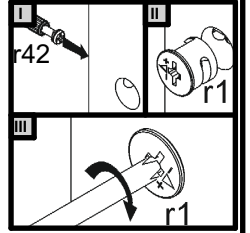
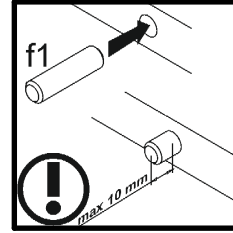
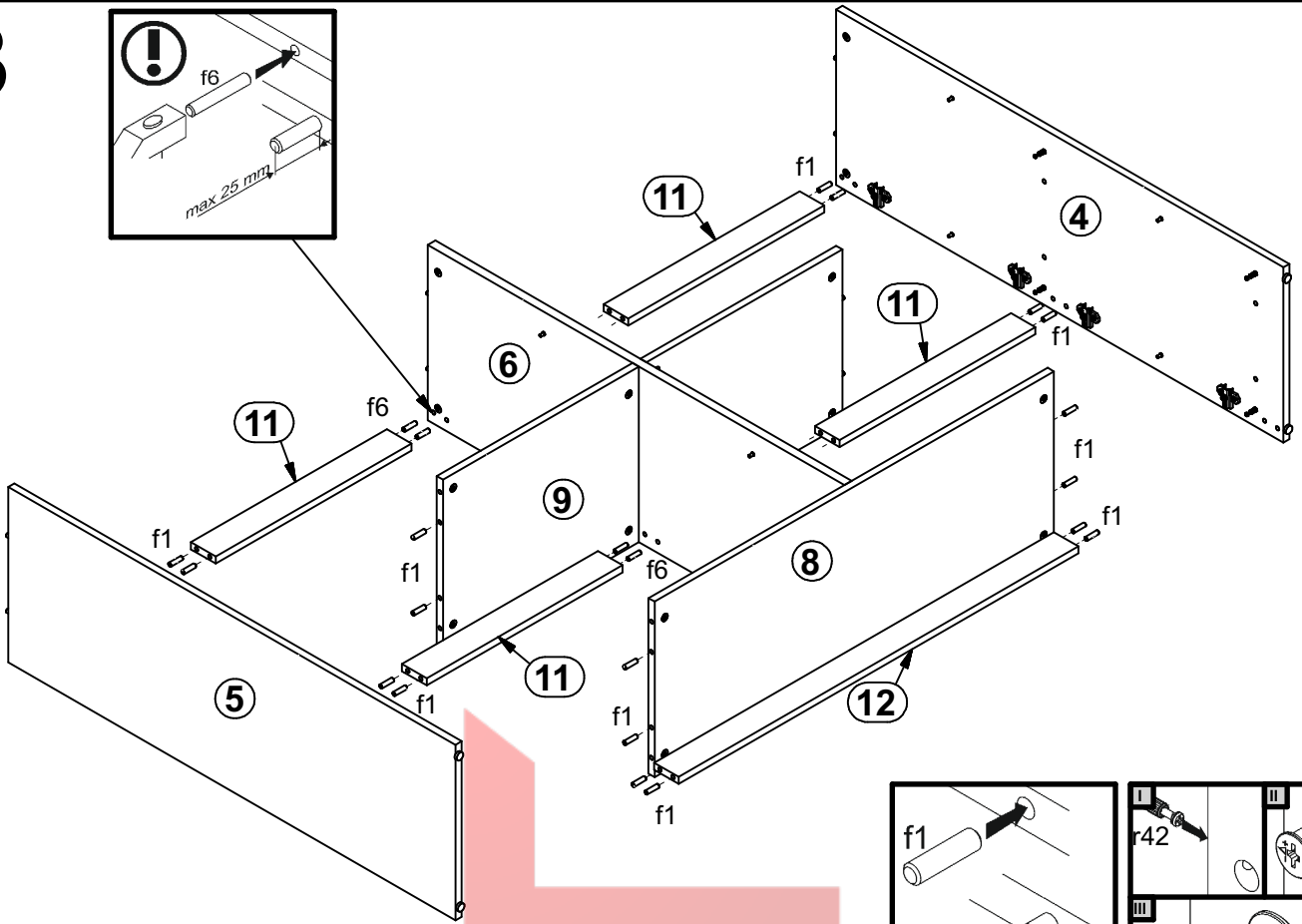
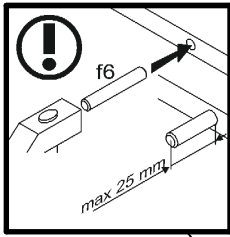
A	B	C		D
1	S162-0007	482	482	3/3
2	S162-0008	482	506	3/3
3	S162-0009	482	506	3/3
4	S162-1109	1091	371	1/3
5	S162-1110	1091	371	1/3
6	S162-1111	1016	371	1/3
7	S162-2204	1008	397	1/3
8	S162-3304	974	371	1/3
9	S162-3305	478	371	2/3
10	S162-3306	477	370	2/3
11	S162-4410	478	60	2/3
12	S162-4412	975	60	1/3
13	S162-9908	1041	249	1/3
14	Lh-1044	1011	14	1/3



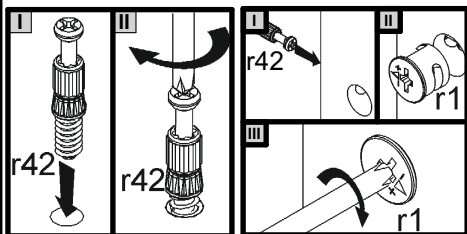
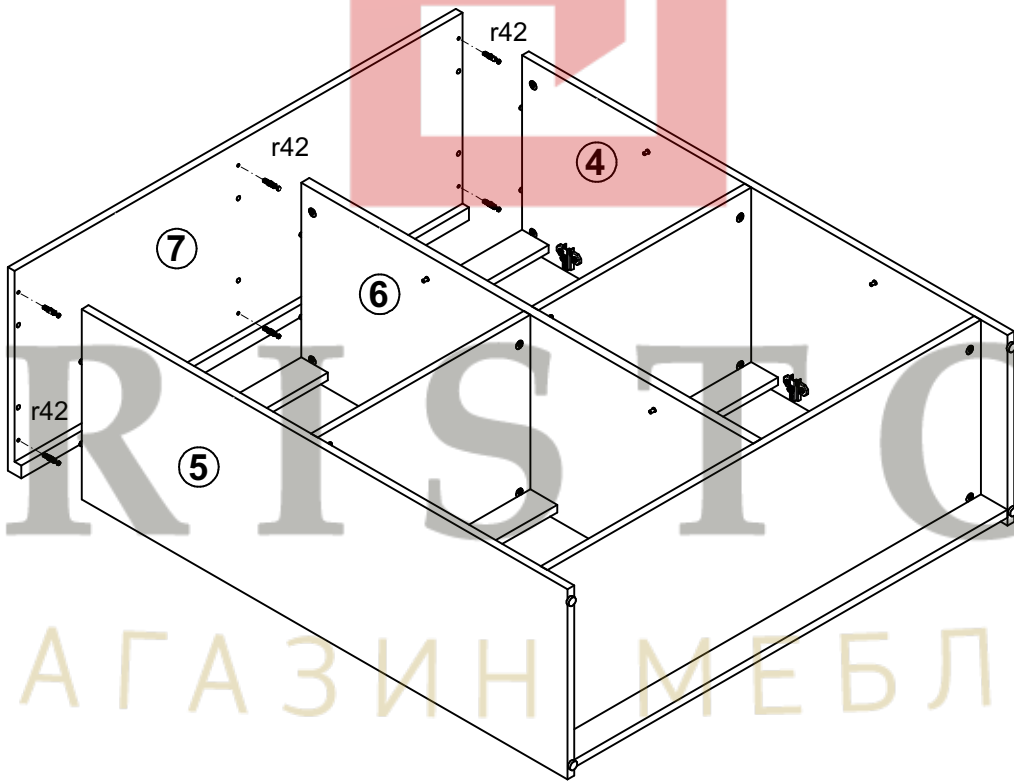
8x a68	8x b19	16x d1 ø 5x17 mm	16x e2 φ6,3x13 mm	32x f1 φ8x30 mm	4x k1	75x l1	16x p51 φ3,5x15 mm	20x r1 φ1,5x12mm #16
20x r42	1x n26\1	1x p38 φ3,5x16 mm	5x s2 ø16	4x f6 ∩8x50 mm				



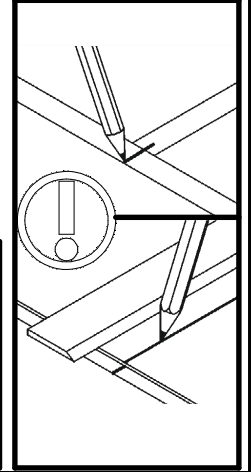
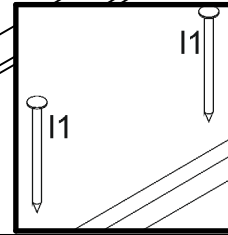
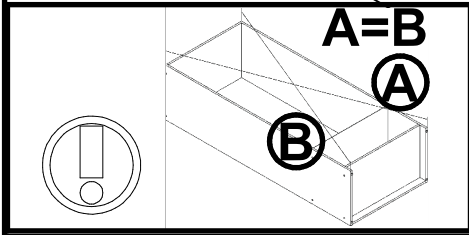
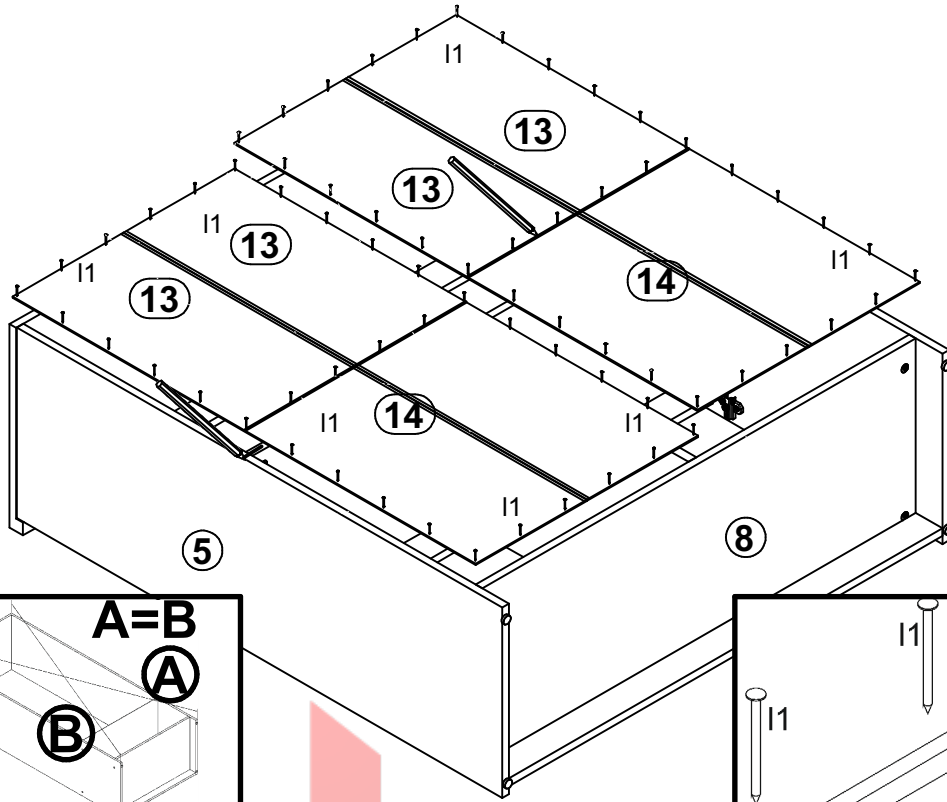
3



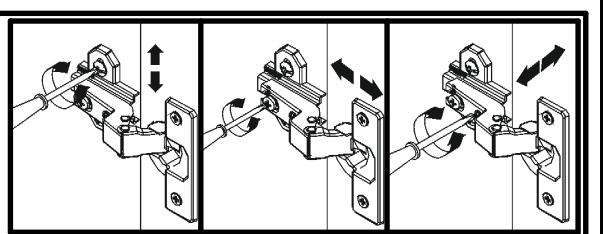
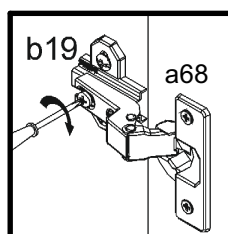
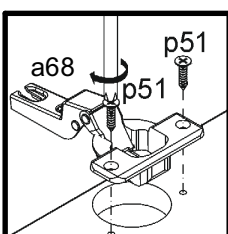
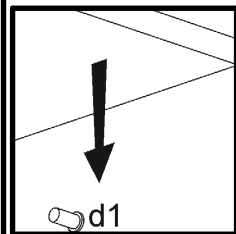
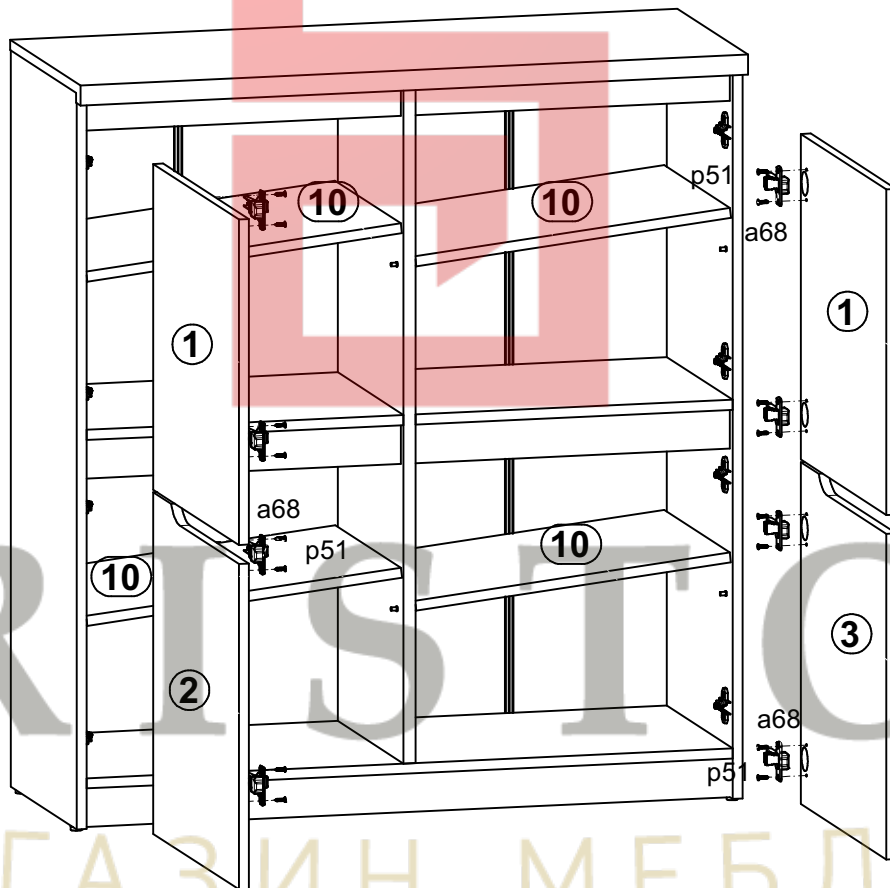
4



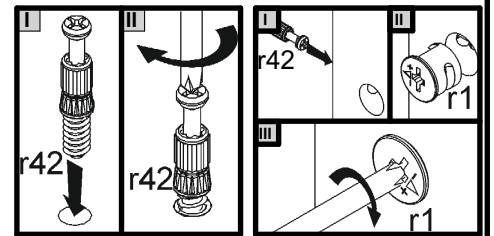
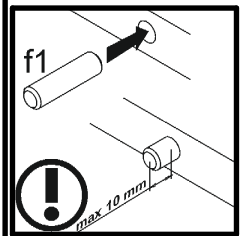
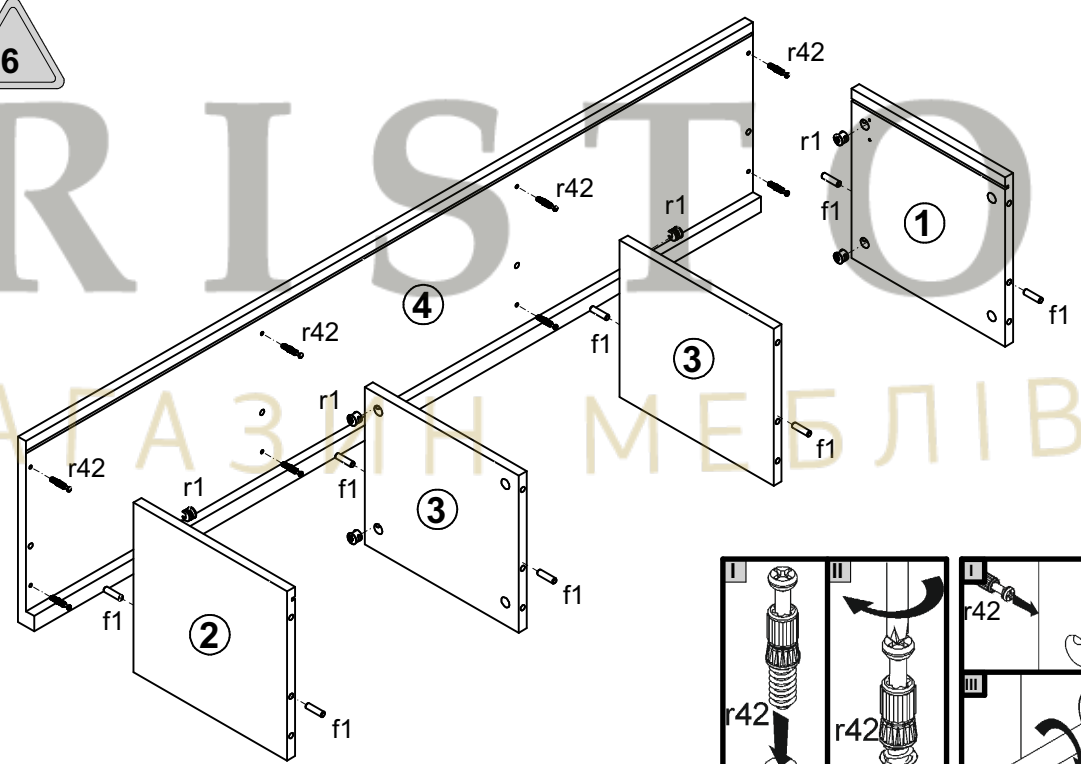
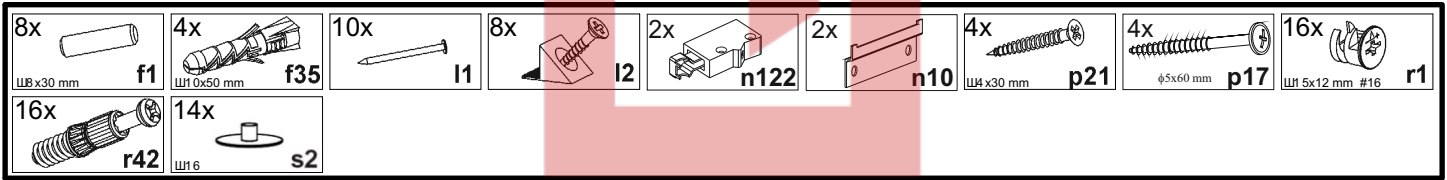
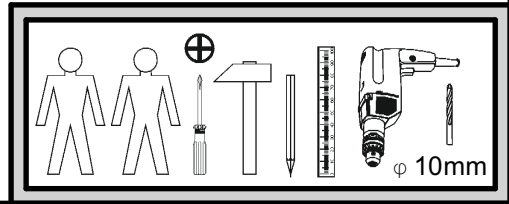
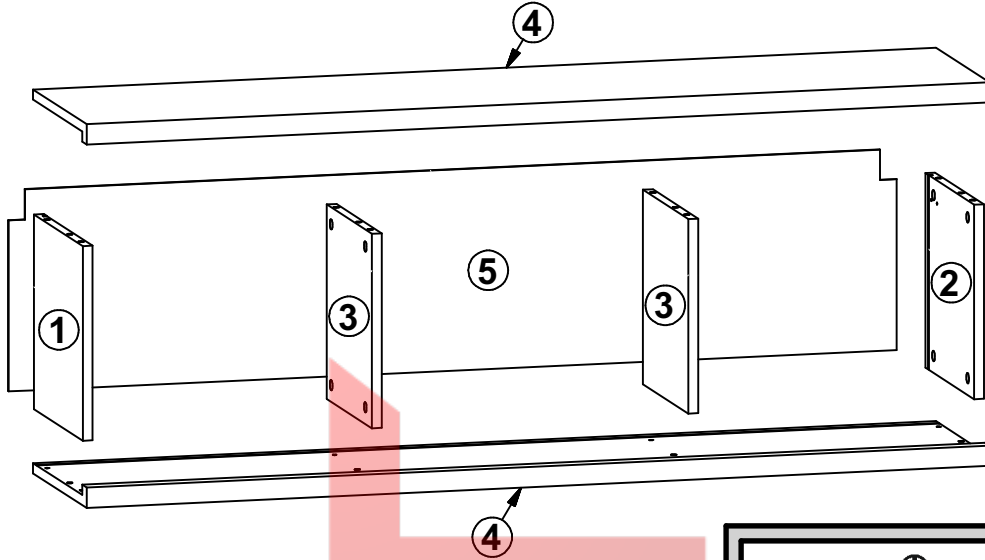
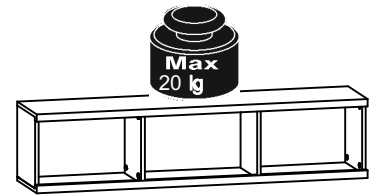
5



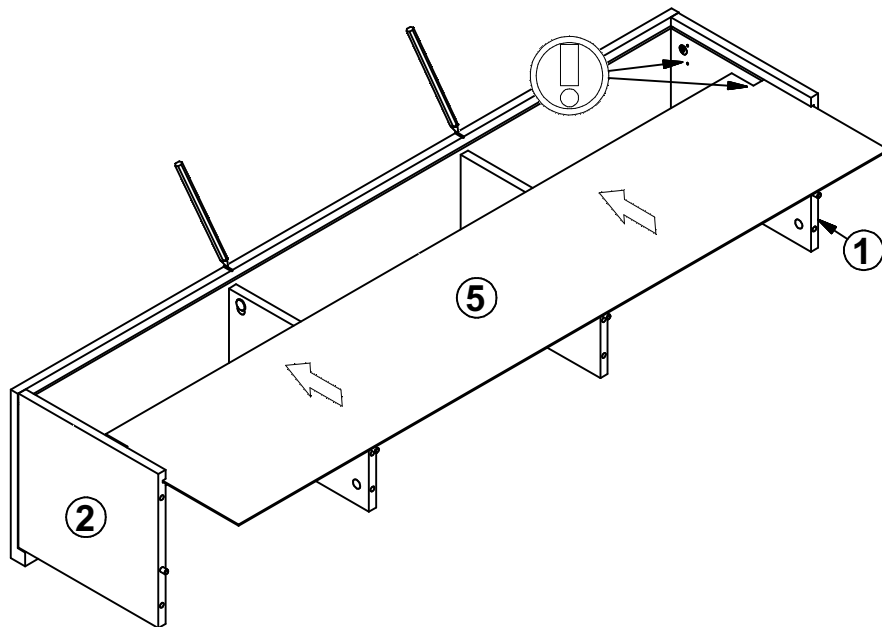
6



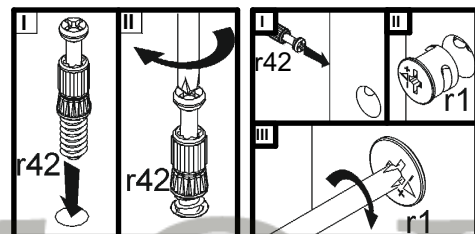
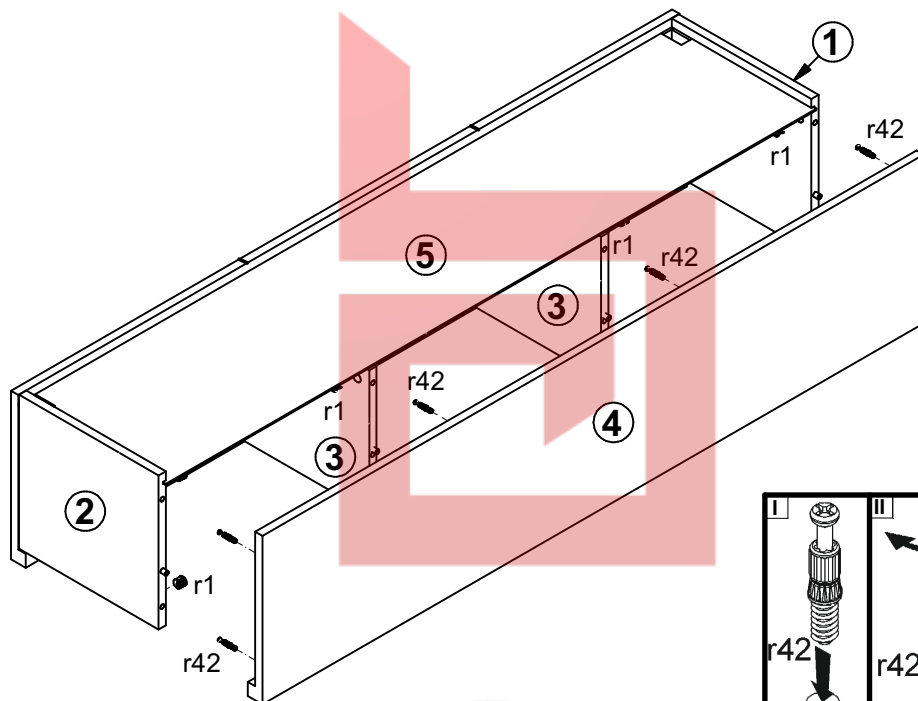
A	B	C		D
1	S162-1133	288	275	1/1
2	S162-1134	288	275	1/1
3	S162-1135	288	255	1/1
4	S162-2311	1363	301	1/1
5	S162-9921	298	1339	1/1



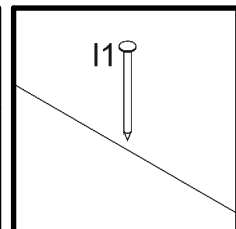
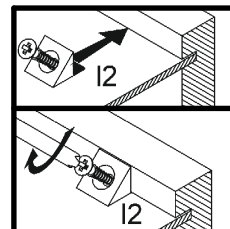
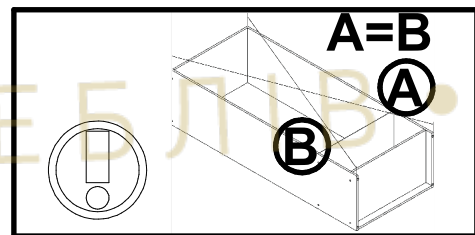
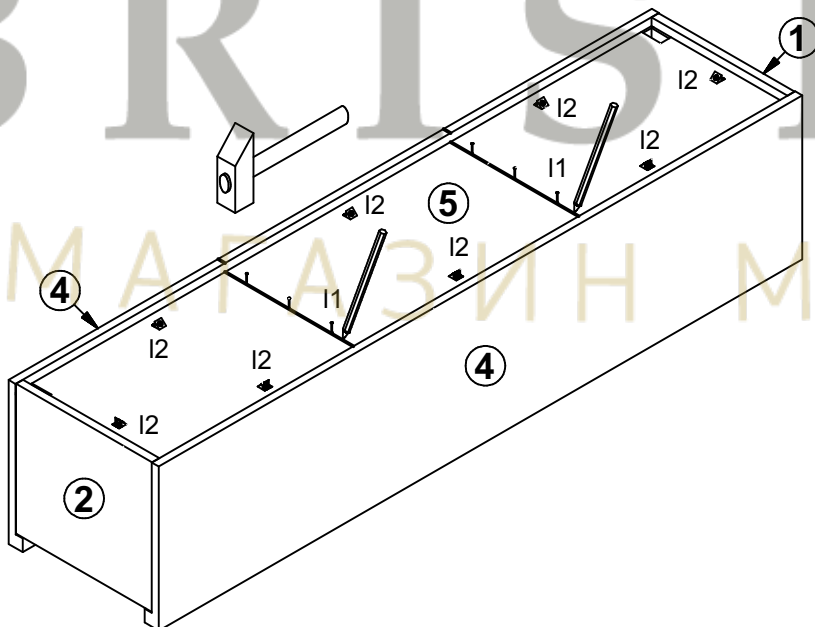
2



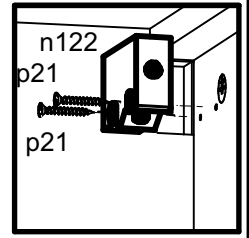
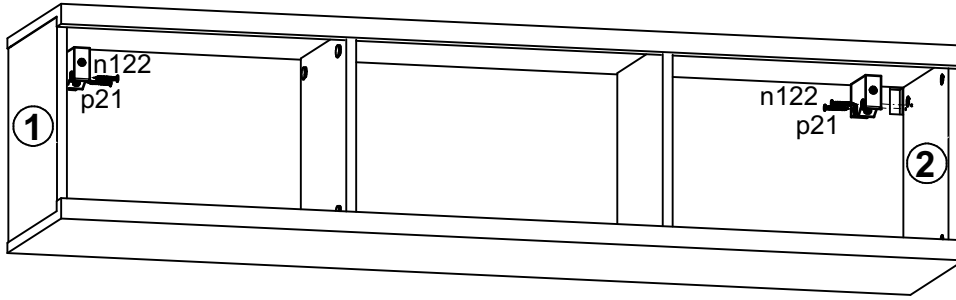
3



4



5



6

