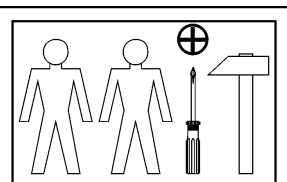
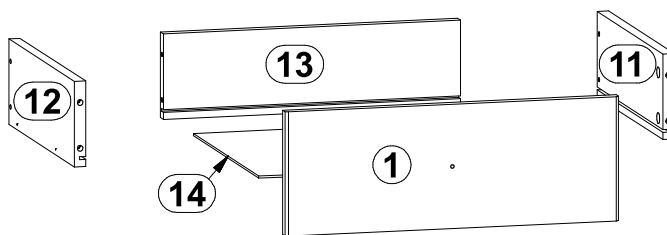
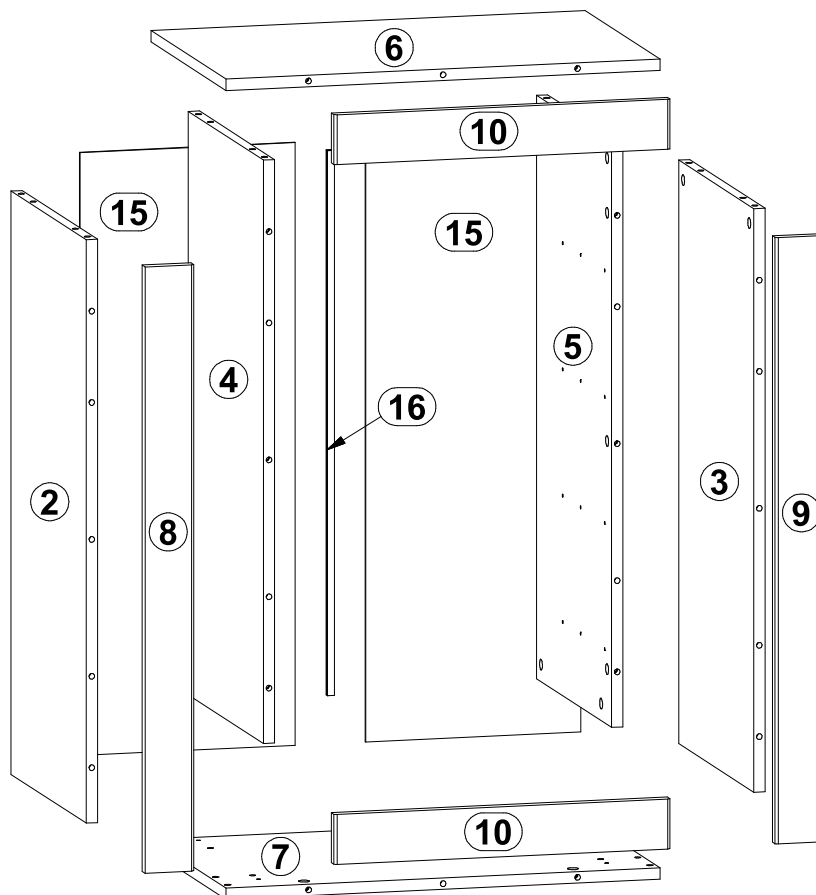
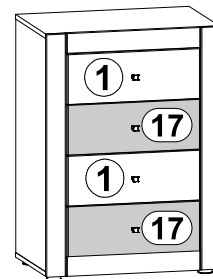


# КАПРИ / КАПРИ

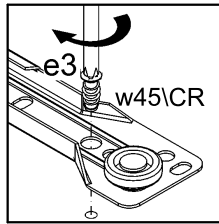
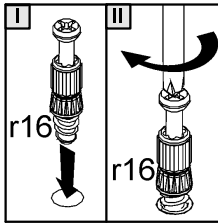
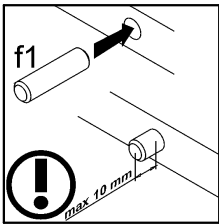
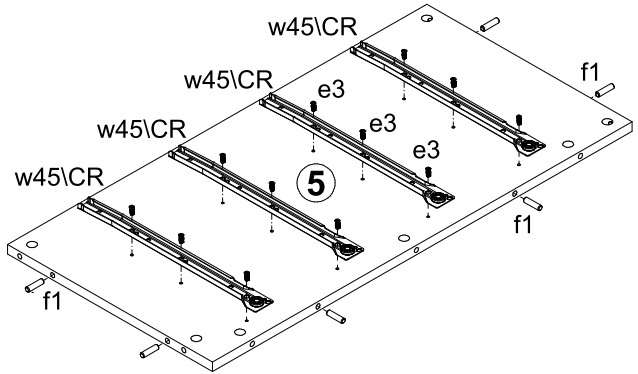
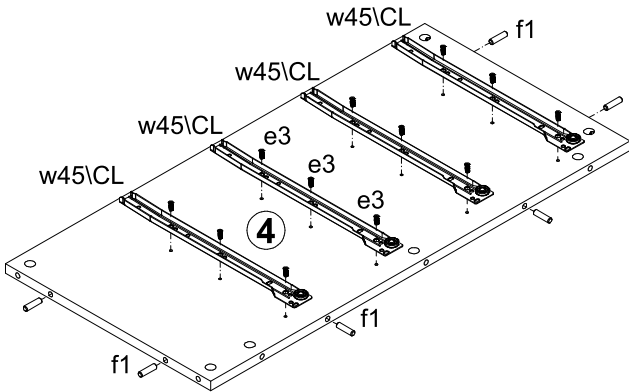
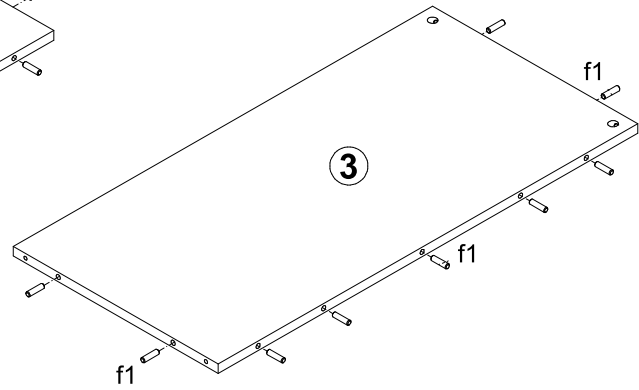
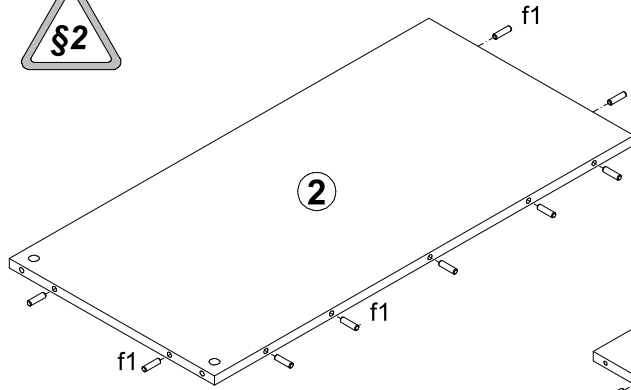
Комод - 4s/62

A	B	C		D
1	KP2-007	477	174	2/3
2	KP2-118	818	400	1/3
3	KP2-119	818	400	1/3
4	KP2-121	818	400	1/3
5	KP2-122	818	400	1/3
6	KP2-205	620	400	1/3
7	KP2-216	620	400	1/3
8	KP2-419	851	70	1/3
9	KP2-420	851	70	1/3
10	KP2-424	481	70	1/3
11	KP2-502	350	120	1/3
12	KP2-503	350	120	1/3
13	KP2-504-01	424	120	1/3
14	KP2-909	440	350	1/3
15	KP2-910	845	307	1/3
16	LH-816	816	12	1/3
17	KP2-007	477	174	3/3



4x  c68	4x $\phi 7 \times 50$ mm e1	24x $\phi 6 \times 13$ mm e3	32x $\phi 8 \times 30$ mm f1	16x $\phi 2.5 \times 50$ mm e32	4x  M4x20 mm j1	4x  k27	30x  l1	16x $\phi 3 \times 12$ mm p54
38x $\phi 1.5 \times 12$ mm #16 r1	38x  r16	18x $\phi 16$ s2	4x  350 mm w45\CL	4x  350 mm w45\CR	4x  350 mm w45\DL	4x  350 mm w45\DR	1x $\phi 3.5 \times 16$ mm p38	1x  n26\1
1x  z1								

# 1



# 2

