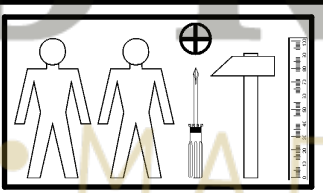
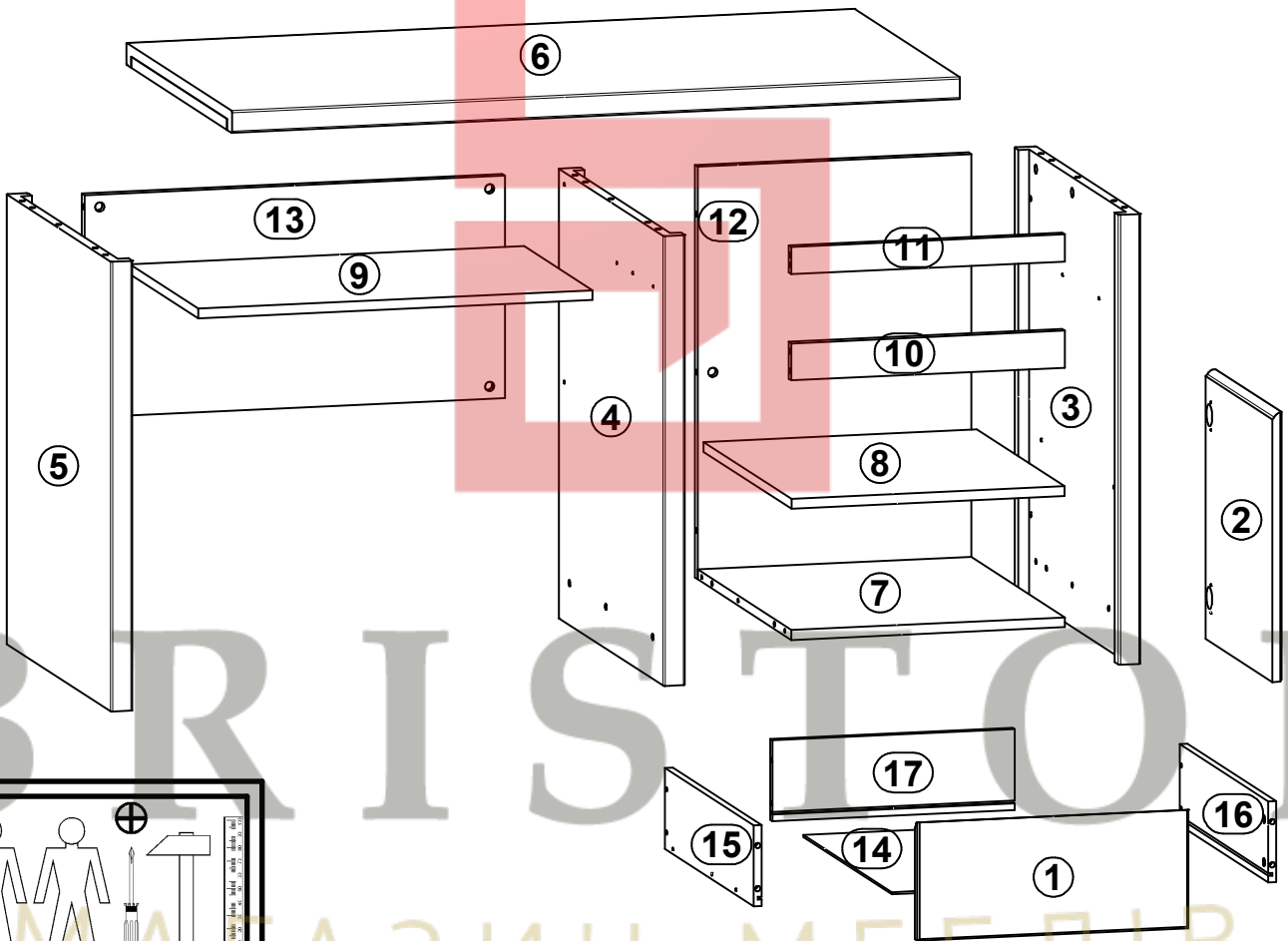
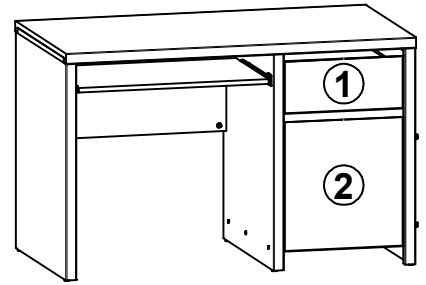


KASPIAN

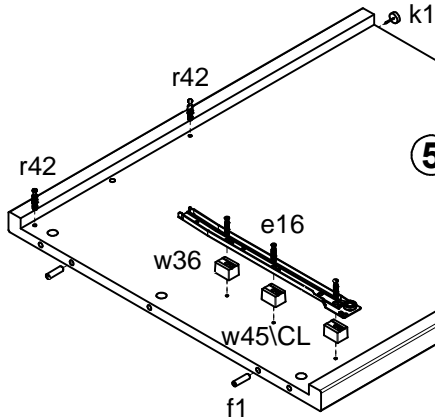
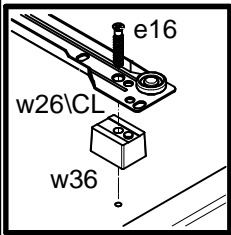
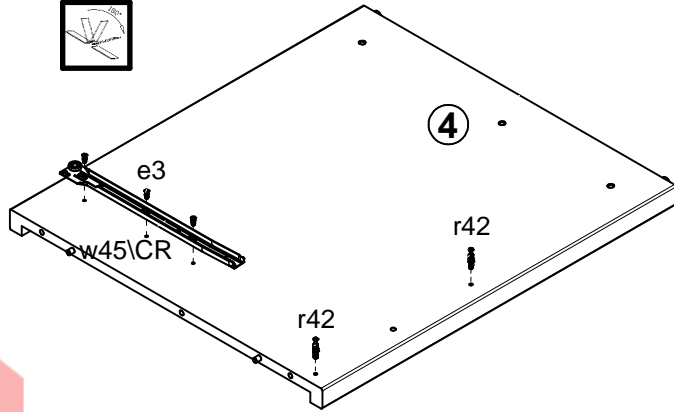
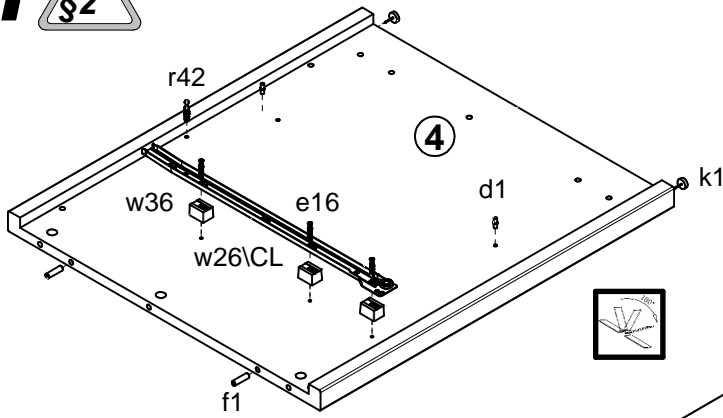
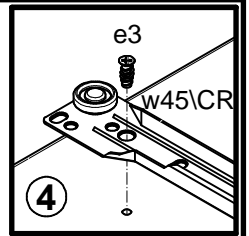
S128-BIU1D1S/120

A	B	C	D	
1	S128-019	410	176	3/3
2	S128-021	410	436	3/3
3	S128-138	728	644	1/3
4	S128-139	728	644	1/3
5	S128-140	728	644	1/3
6	S128-212	1200	650	2/3
7	S128-318	451	576	1/3
8	S128-319	450	540	1/3
9	S128-321	650	420	2/3
10	S128-411	451	60	1/3
11	S128-412	451	44	1/3
12	S128-413	668	451	1/3
13	S128-415	693	360	1/3
14	S128-921	377	498	2/3
15	ZS2-509	500	120	2/3
16	ZS2-510	500	120	2/3
17	ZS2-5525	366	120	2/3

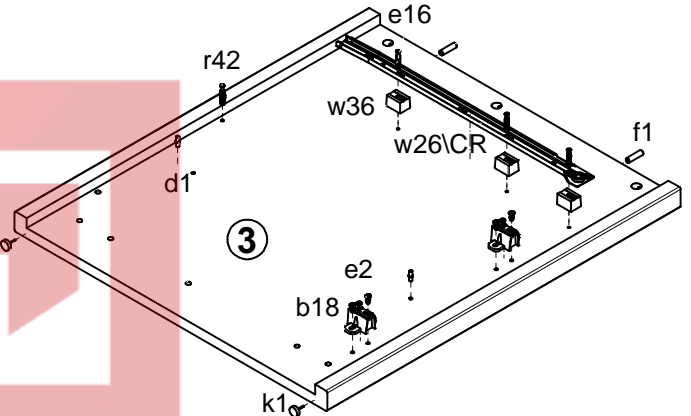


2x a43	2x b18	4x φ5x17 mm d1	6x φ7x50 mm e1	9x φ6x30 mm e16	6x φ5x9 mm e19	4x φ6,3x13 mm e2	3x φ6x13 mm e3	24x φ8x30 mm f1
4x φ6,5x40 mm f25	6x k1	4x φ3,5x15 mm p51	15x φ1,5x12mm #16 r1	4x φ1,2x10,5mm #12 r15	19x r42	1x 500 mm w26 CL	1x 500 mm w26 CR	1x 500 mm w26 DL
1x 500 mm w26 DR	9x h=18 mm w36	1x 350 mm w45 CL	1x 350 mm w45 CR	1x 350 mm w45 DL	1x 350 mm w45 DR	4x φ3,5x13 mm p27	1x z1	6x s1
7x φ16 s2								

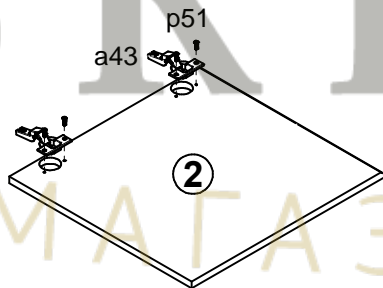
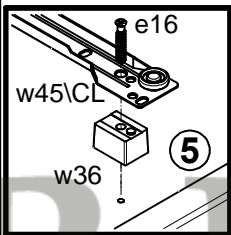
1 



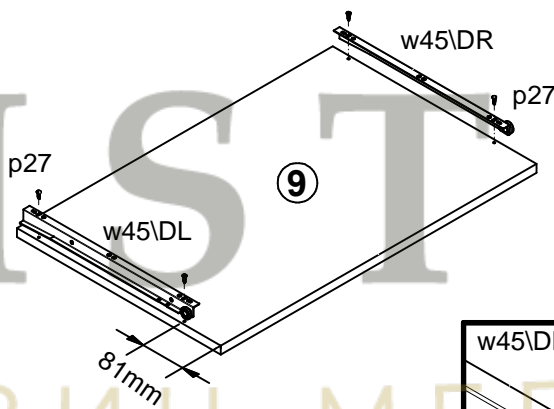
5



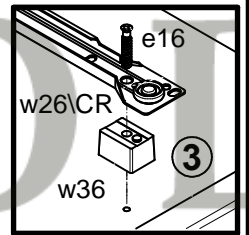
3



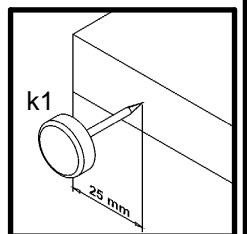
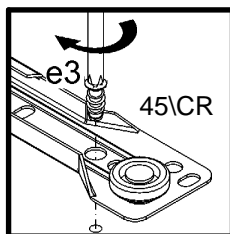
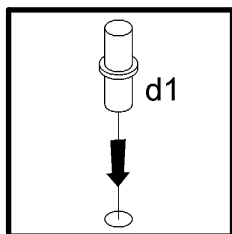
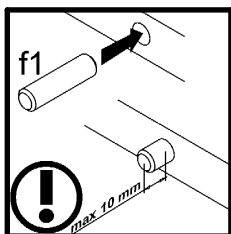
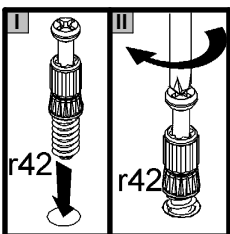
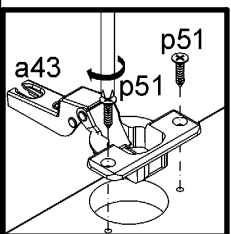
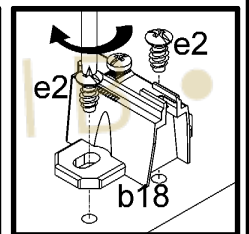
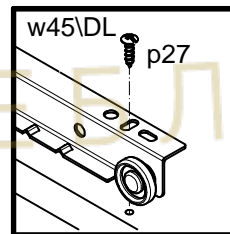
2



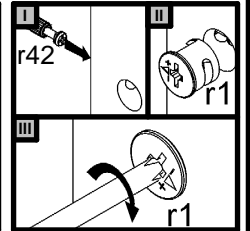
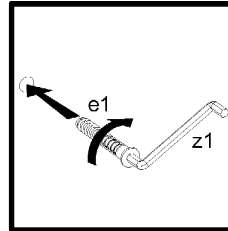
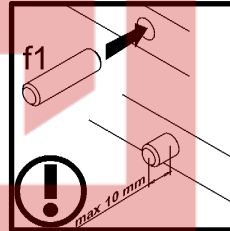
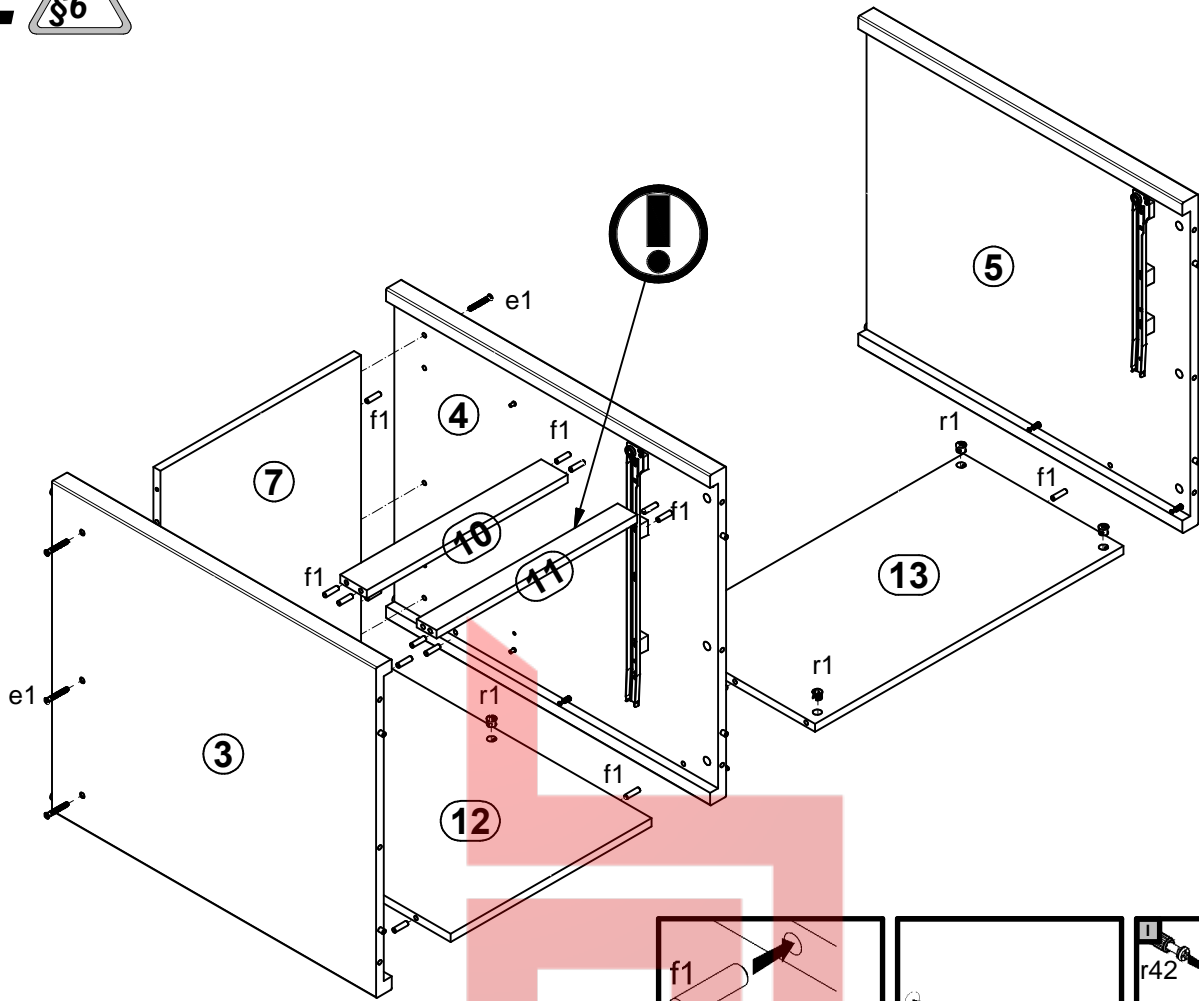
9



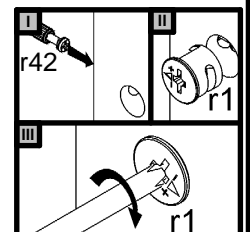
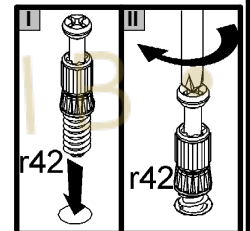
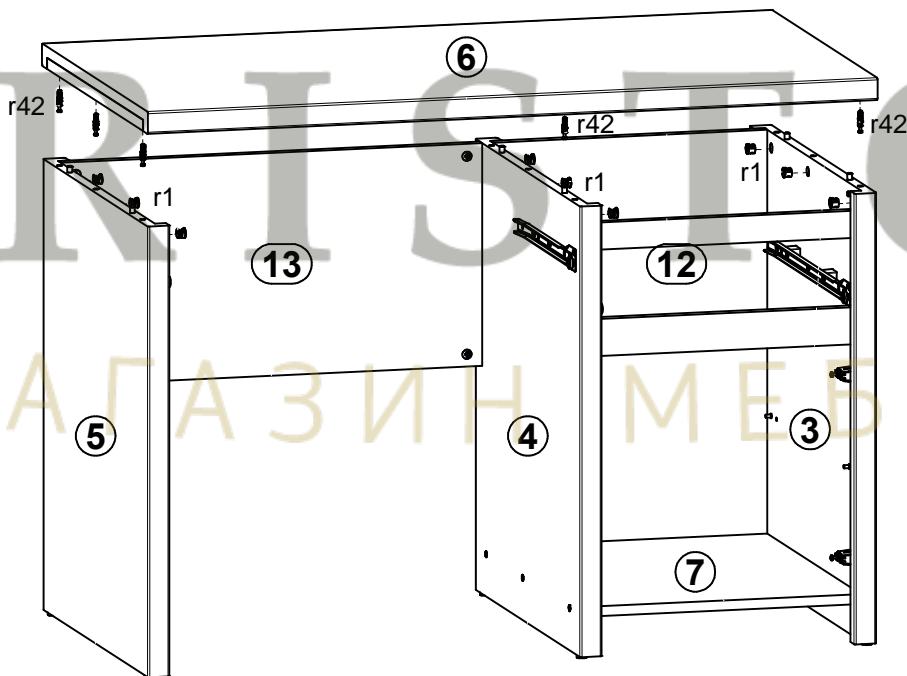
3



2

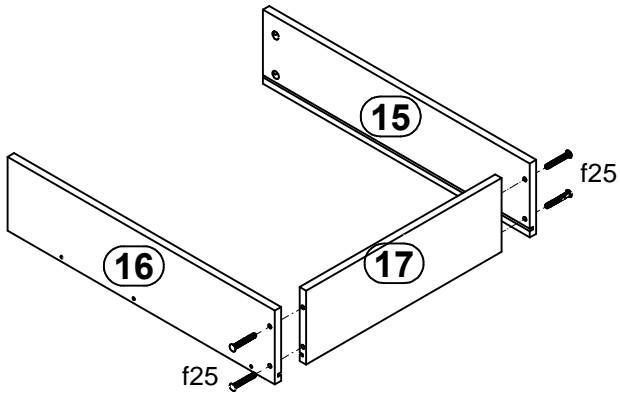


3

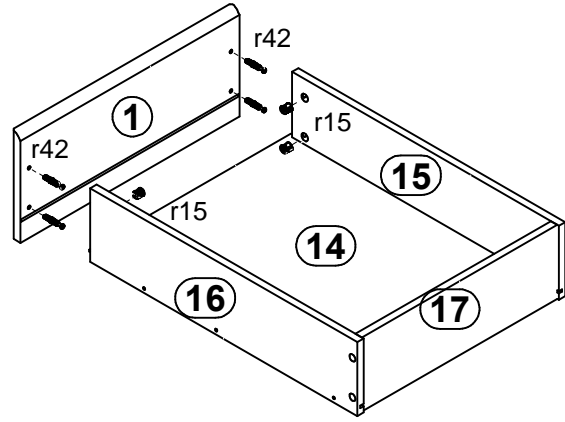


3

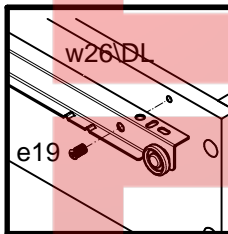
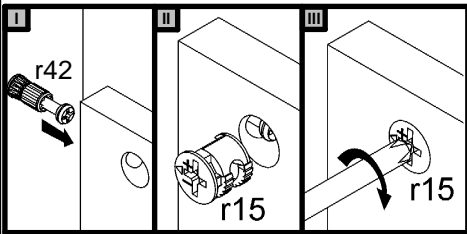
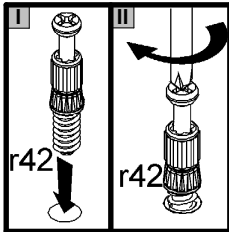
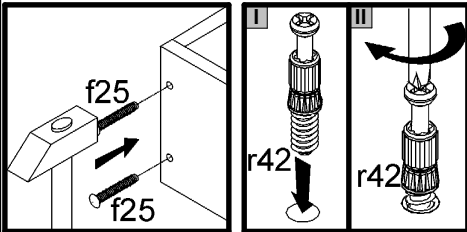
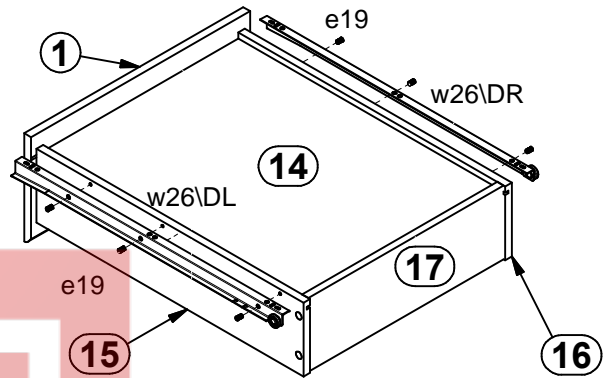
I



II



III



4

