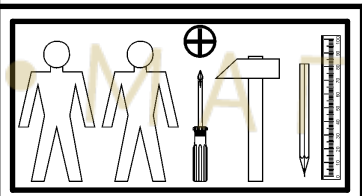
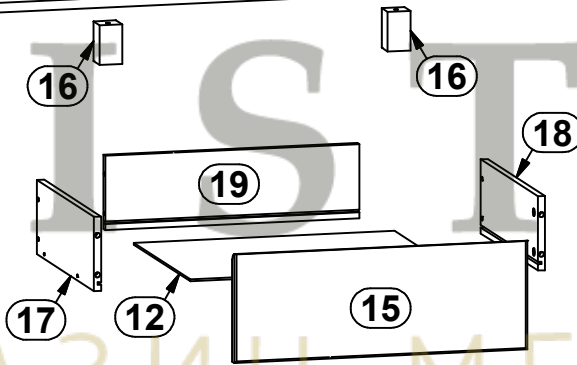
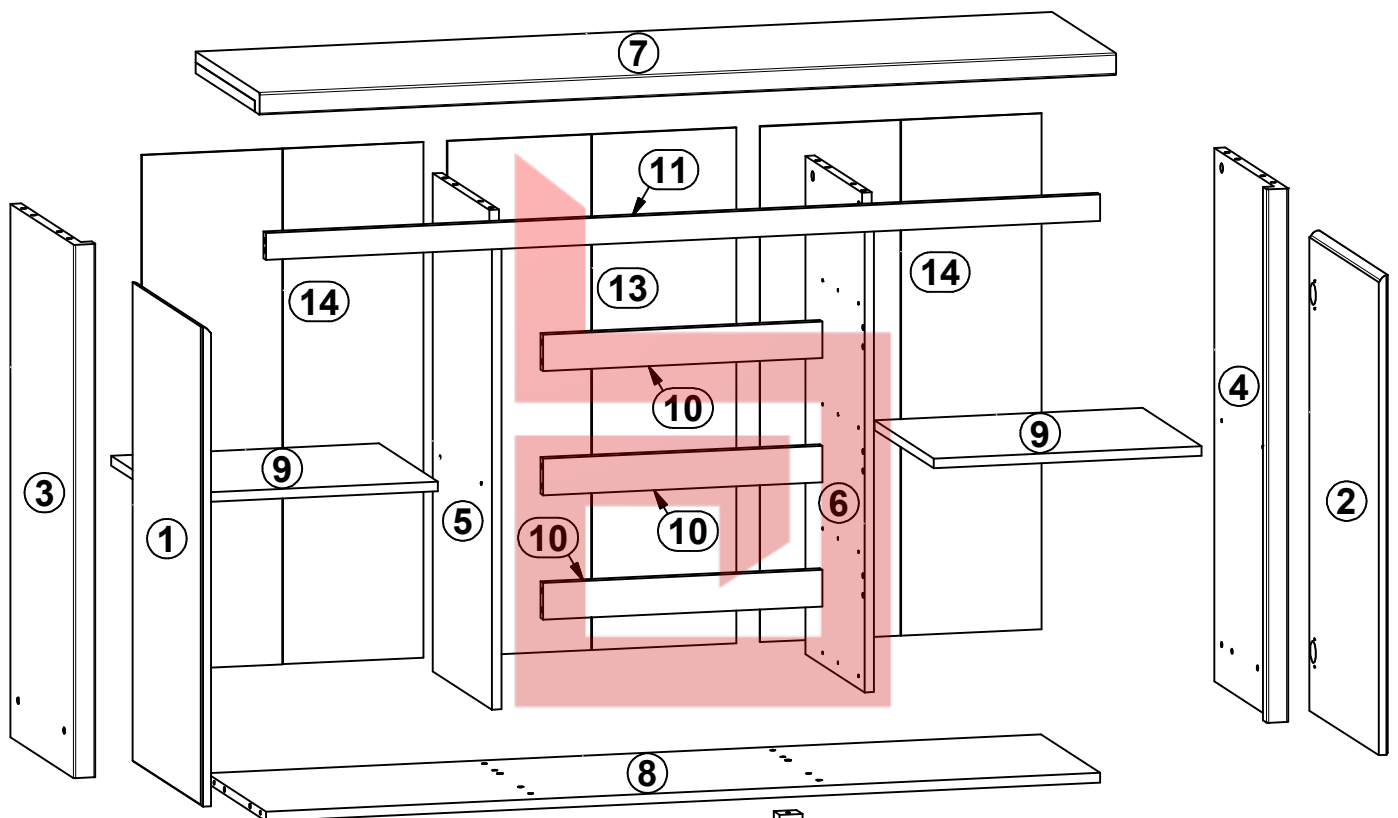
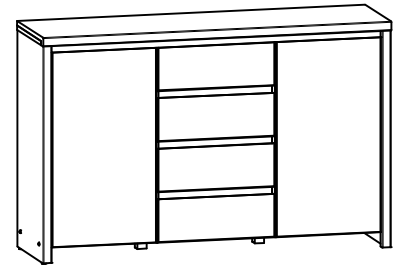


# KASPIAN

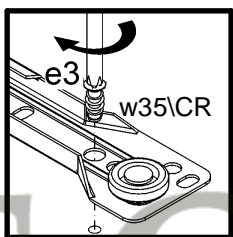
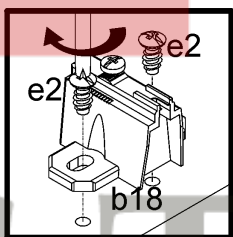
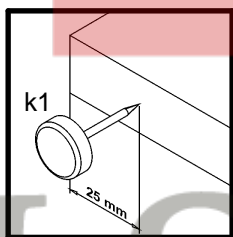
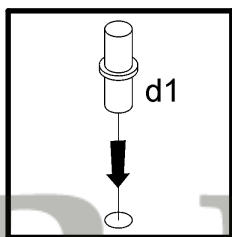
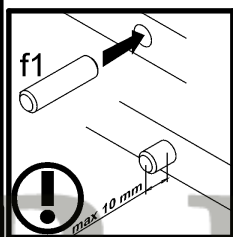
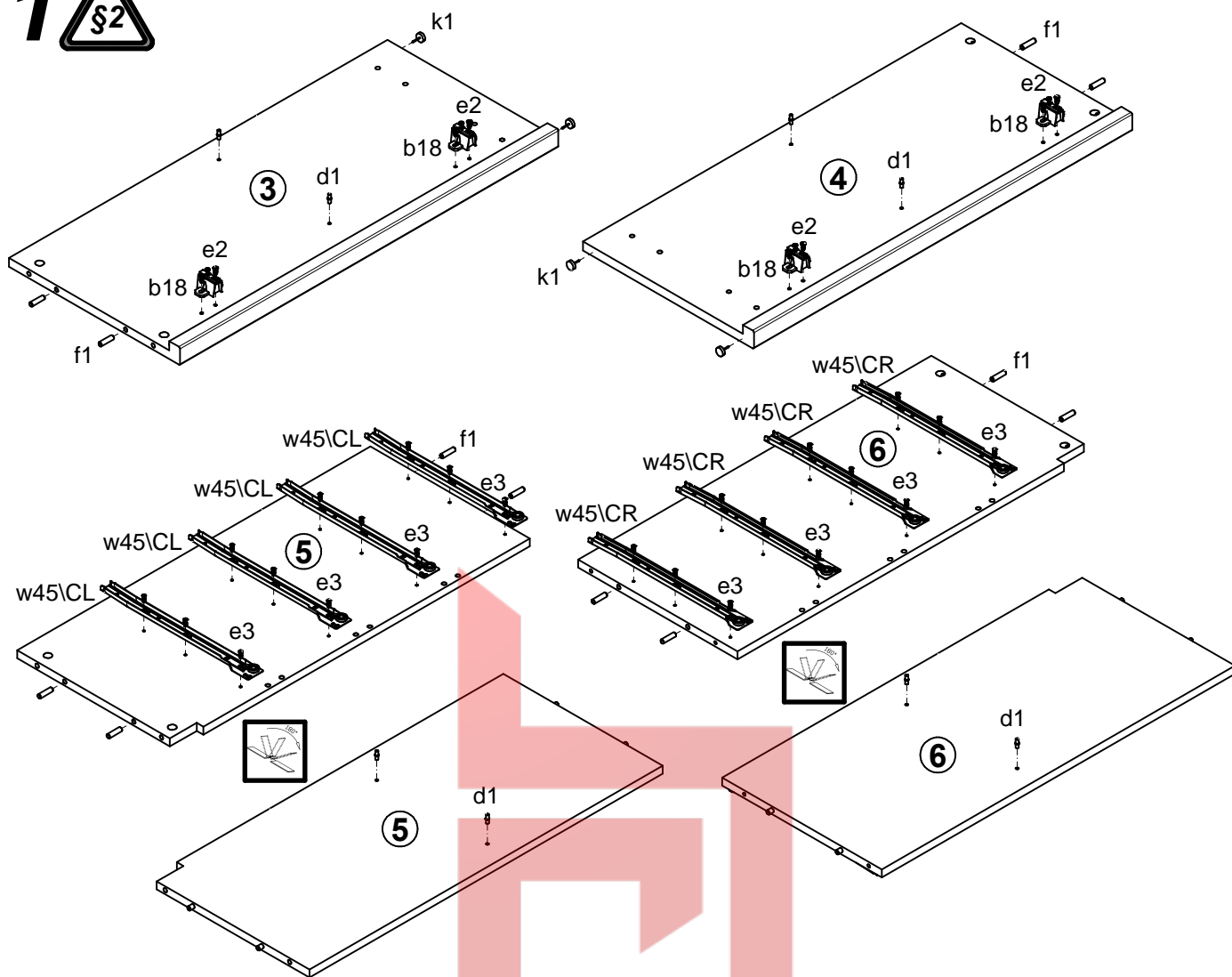
## S128-KOM2D4S

A	B	C	D	A	B	C	D		
1	S128-008	788	432	4/4	11	S128-406	1395	44	2/4
2	S128-009	788	432	4/4	12	S128-901	429	348	2/4
3	S128-107	876	396	1/4	13	S128-908	847	483	1/4
4	S128-108	876	396	1/4	14	S128-909	847	471	1/4
5	S128-109	818	369	1/4	15	S83-005	482	176	3/4
6	S128-110	818	369	1/4	16	ZN1-501	65	38	1/4
7	S128-204	1432	399	2/4	17	ZS2-511	350	120	1/4
8	S128-302	1395	370	2/4	18	ZS2-512	350	120	1/4
9	S128-305	448	368	2/4	19	ZS2-5521	418	120	1/4
10	S128-404	467	60	1/4					

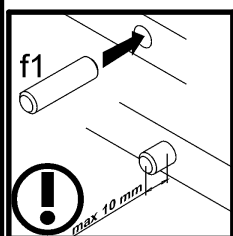
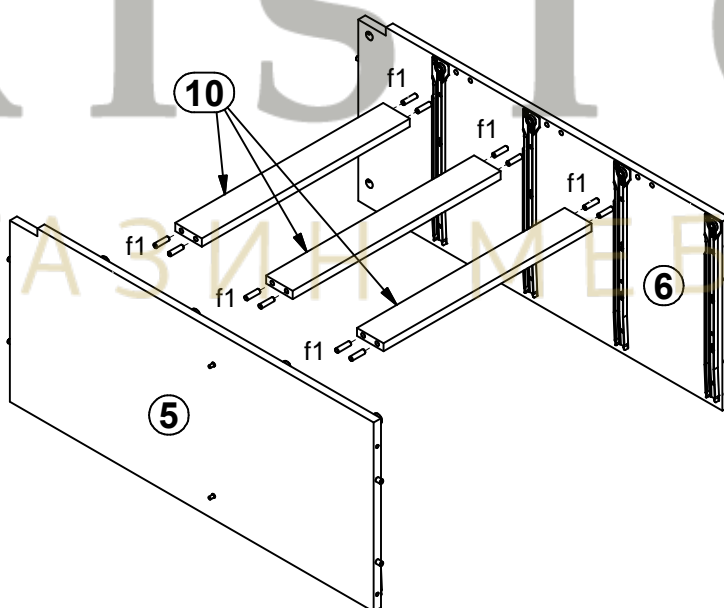


4x  a3	4x  D22.5 b18	8x  φ5x17 mm d1	10x  φ7x50 mm e1	16x  φ5x9 mm e19	8x  φ6,3x13 mm e2	24x  φ6x13 mm e3	32x  φ8x30 mm f1	16x  φ6,5x40 mm f25
4x  k1	90x  l1	8x  φ3,5x15 mm p51	8x  φ1,5x12mm #16 r1	16x  φ12x10,5mm #12 r15	24x  r42	4x  s1	4x  350 mm w45\CL	4x  350 mm w45\CR
4x  350 mm w45\DL	4x  350 mm w45\DR	4x  φ16 s2	1x  z1	1x  n26\1	1x  φ3,5x16 mm p38			

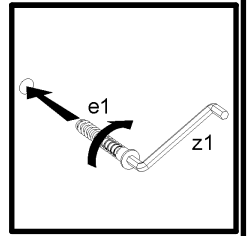
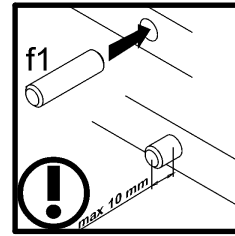
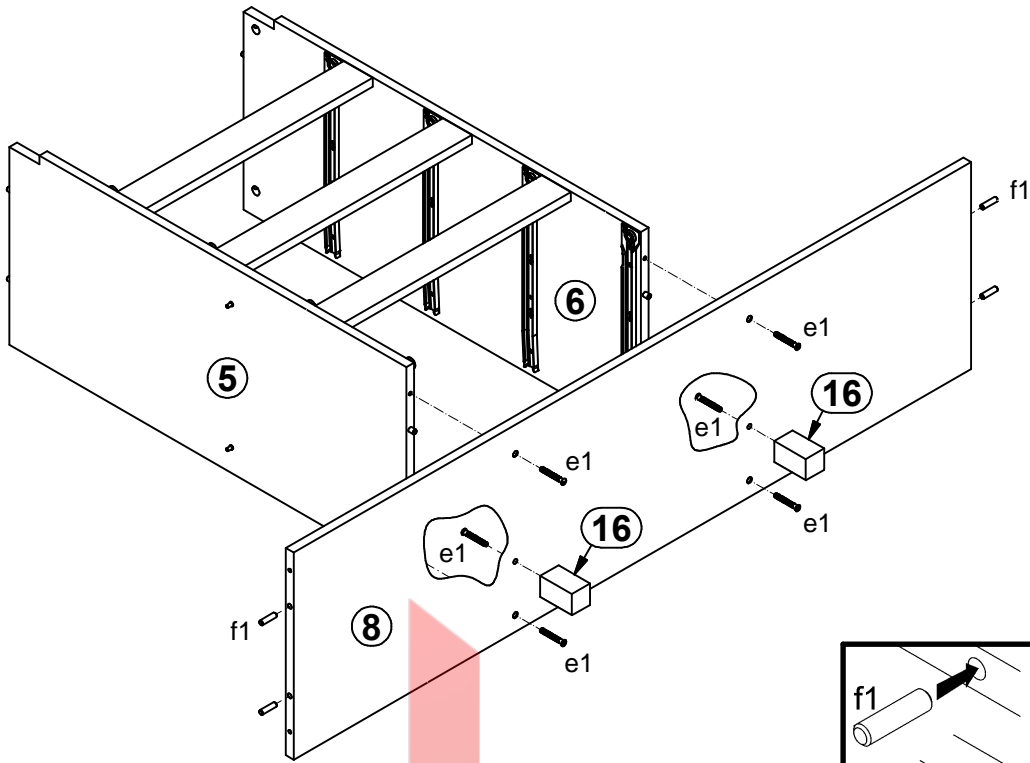
# 1



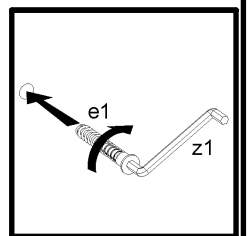
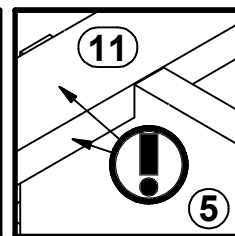
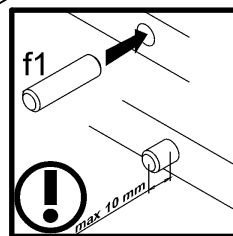
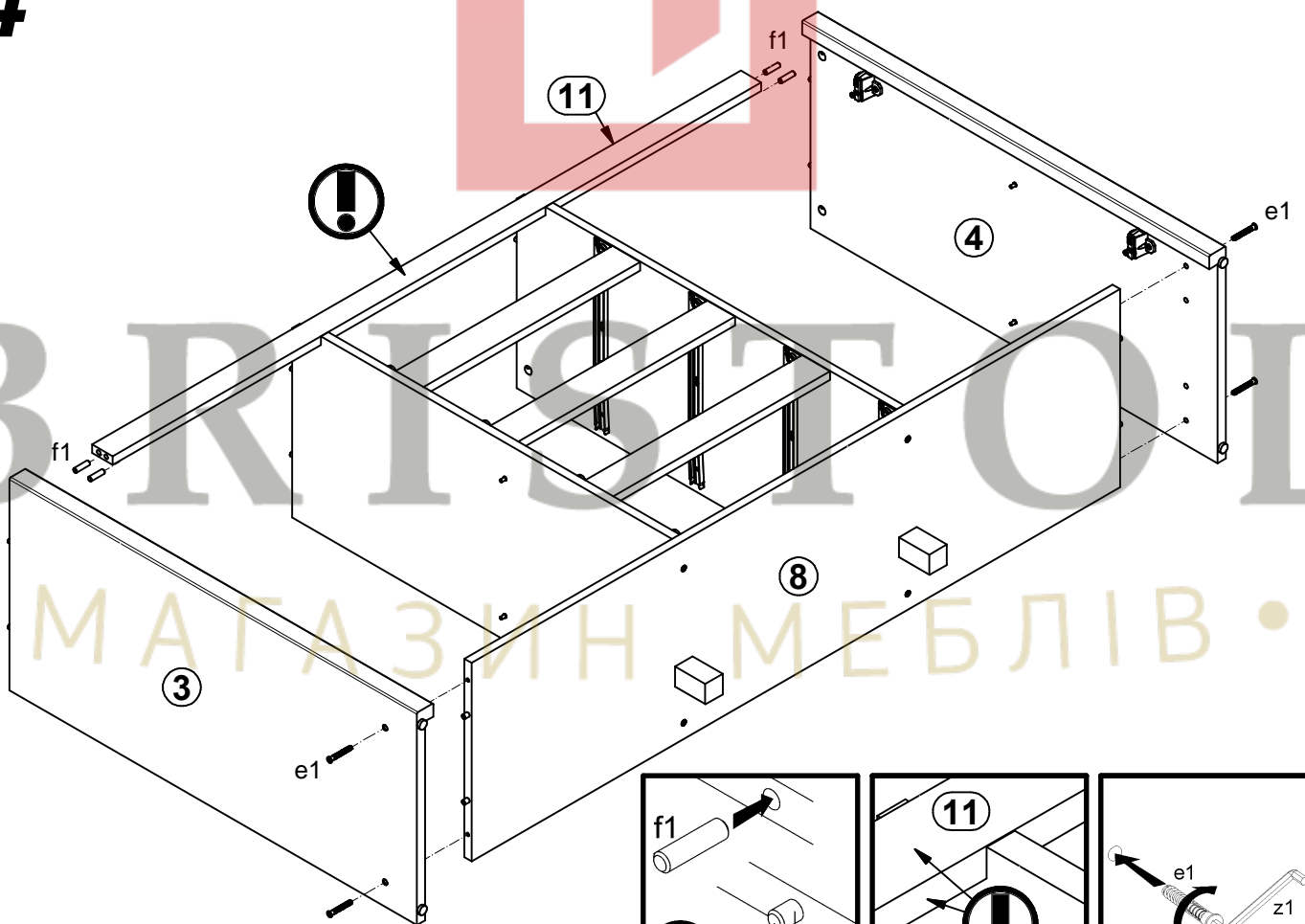
# 2



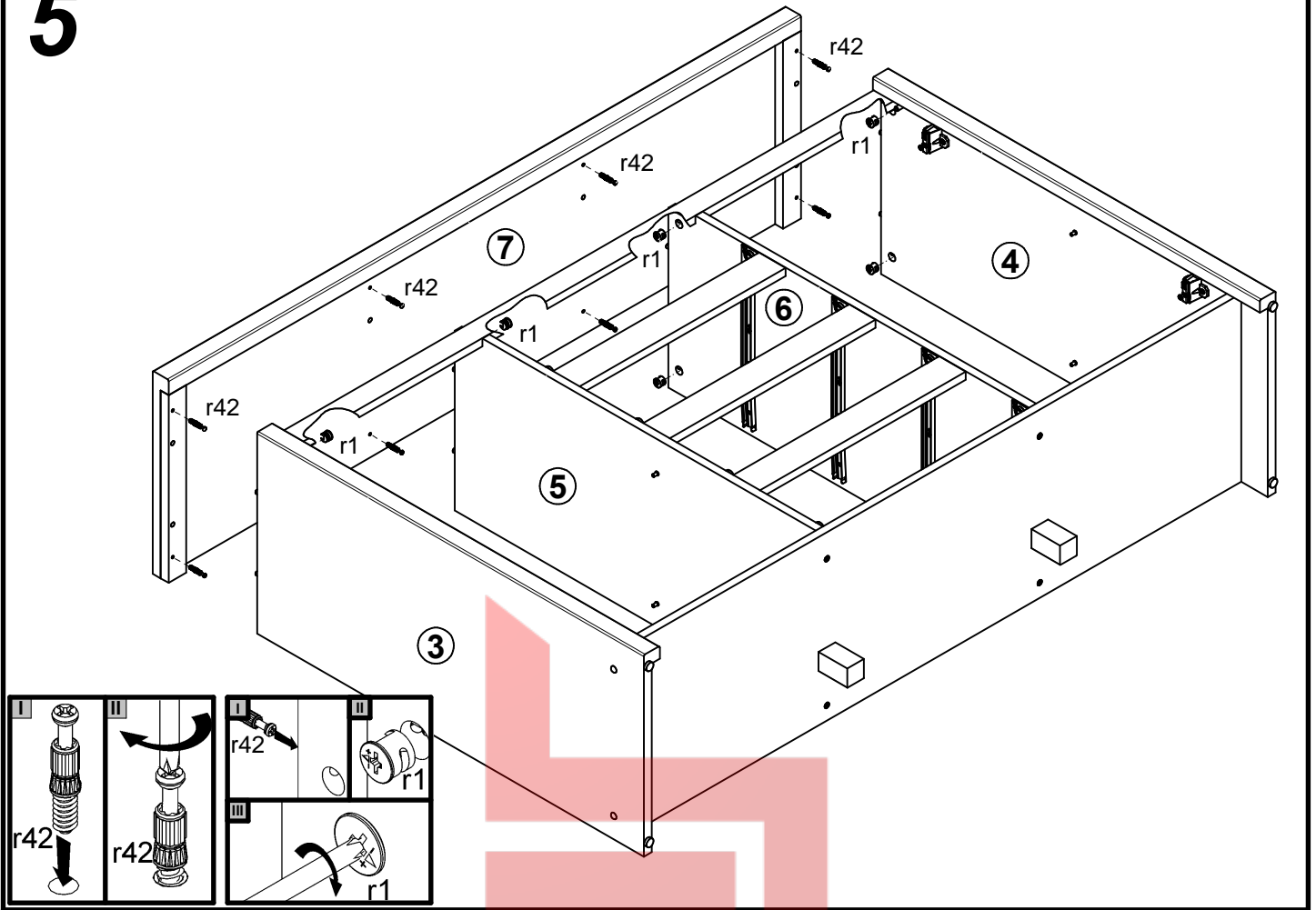
# 3



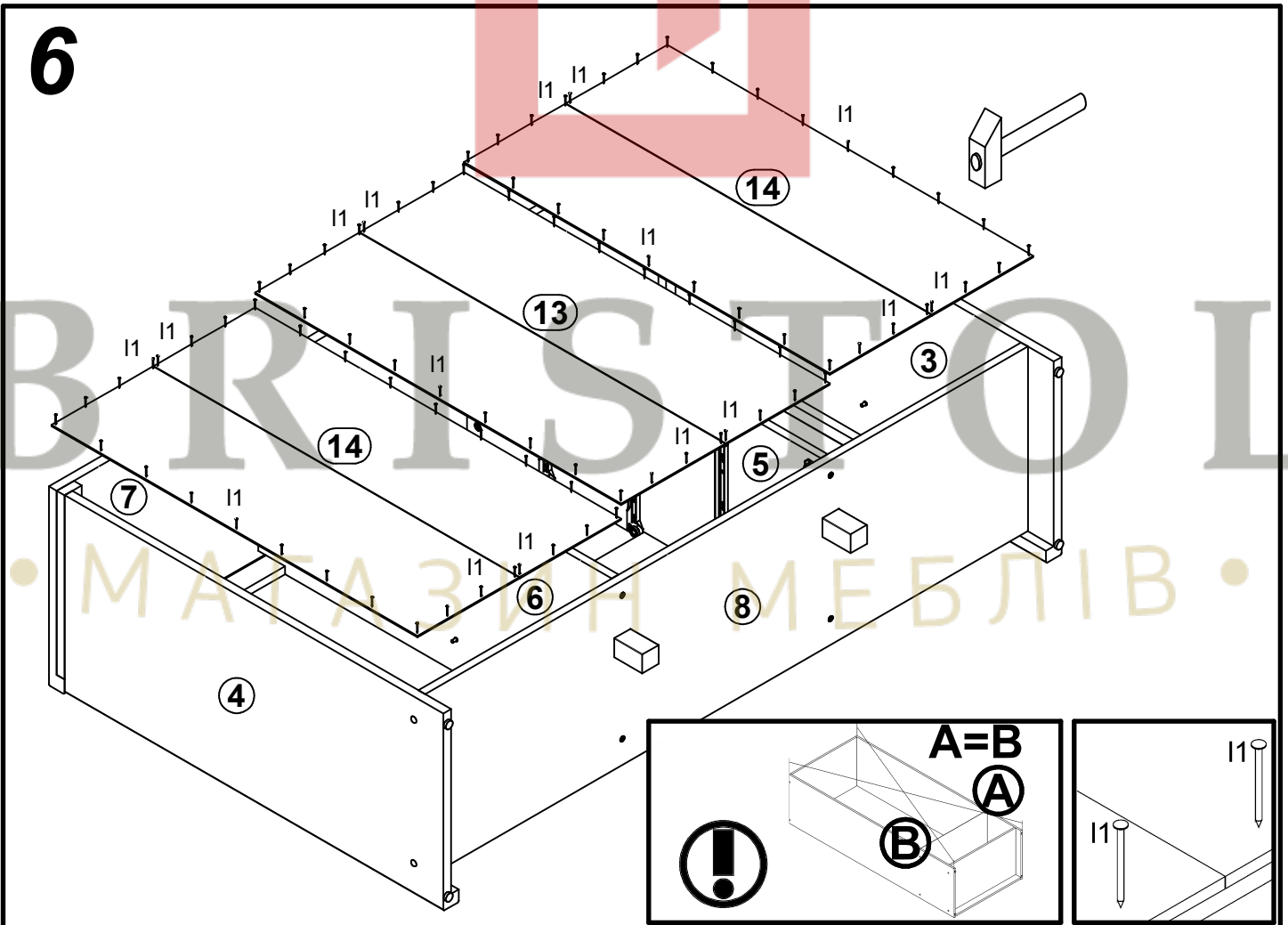
# 4



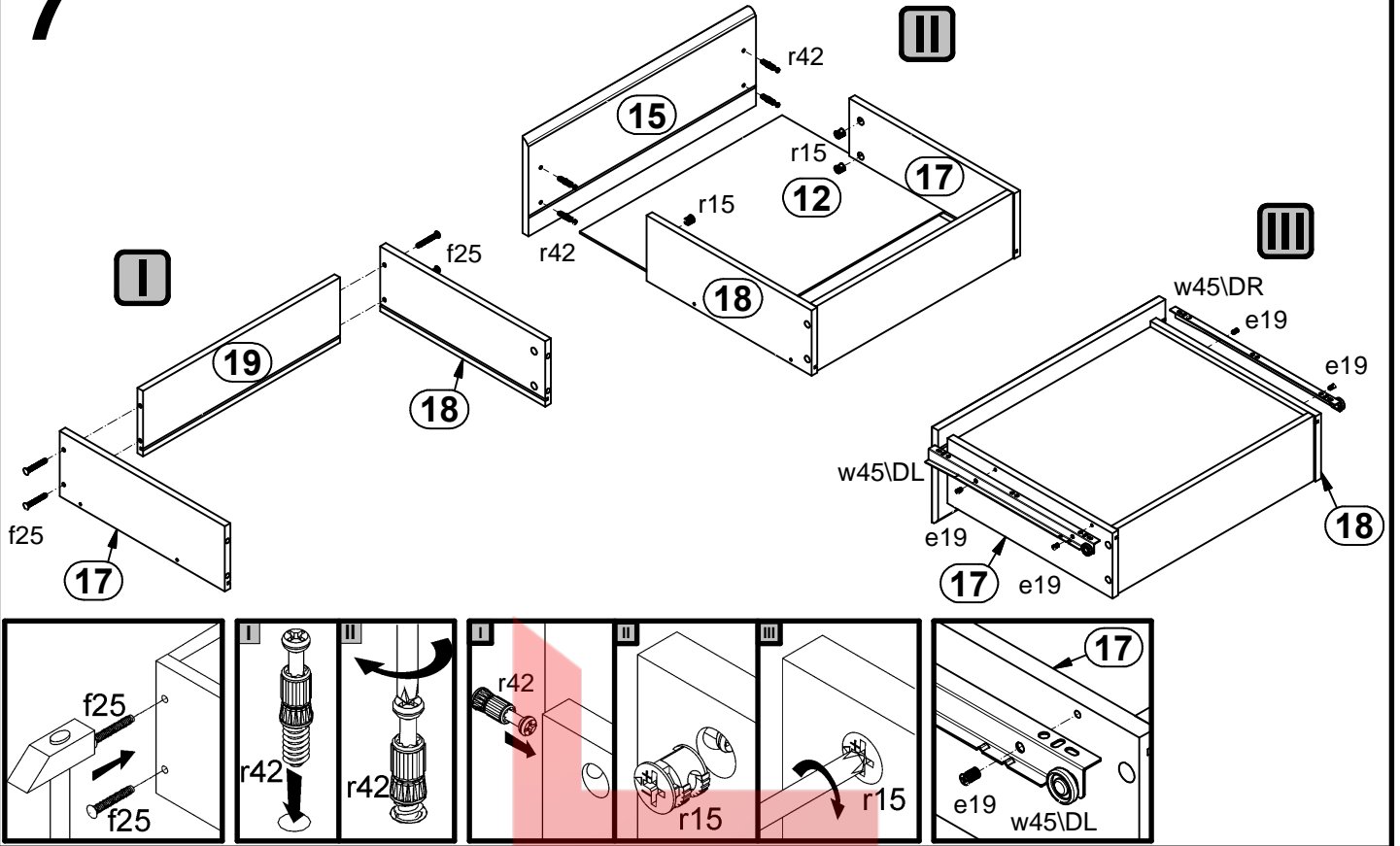
# 5



# 6



# 7



# 8

