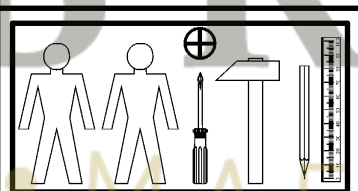
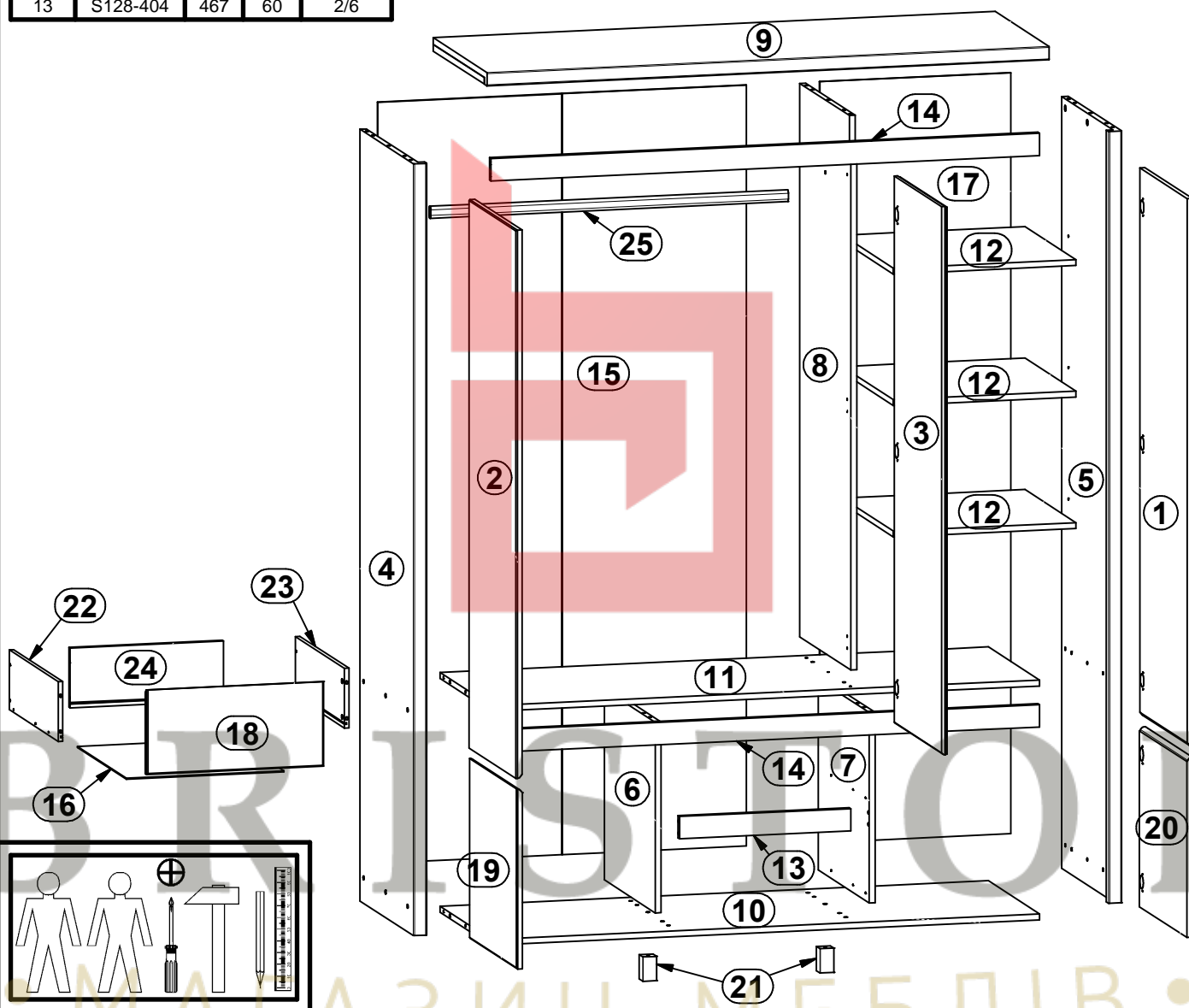
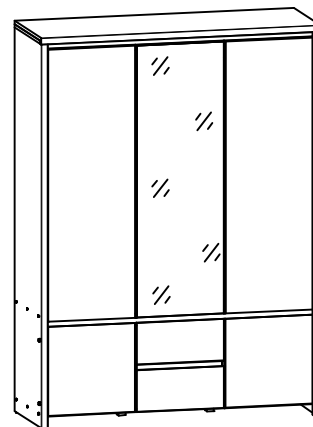


# KASPIAN

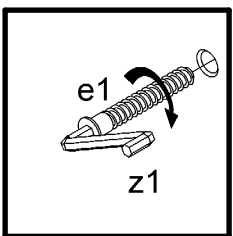
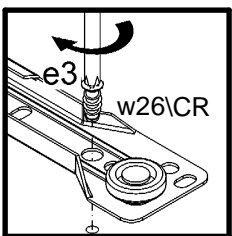
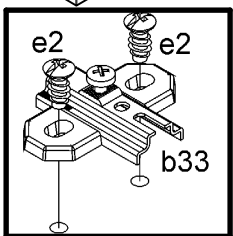
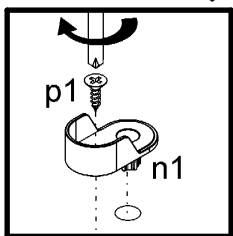
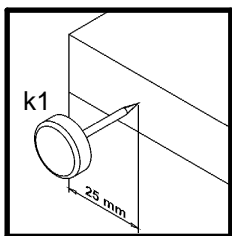
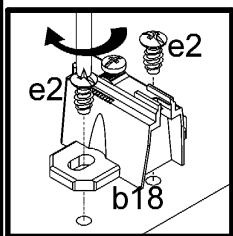
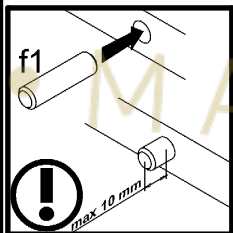
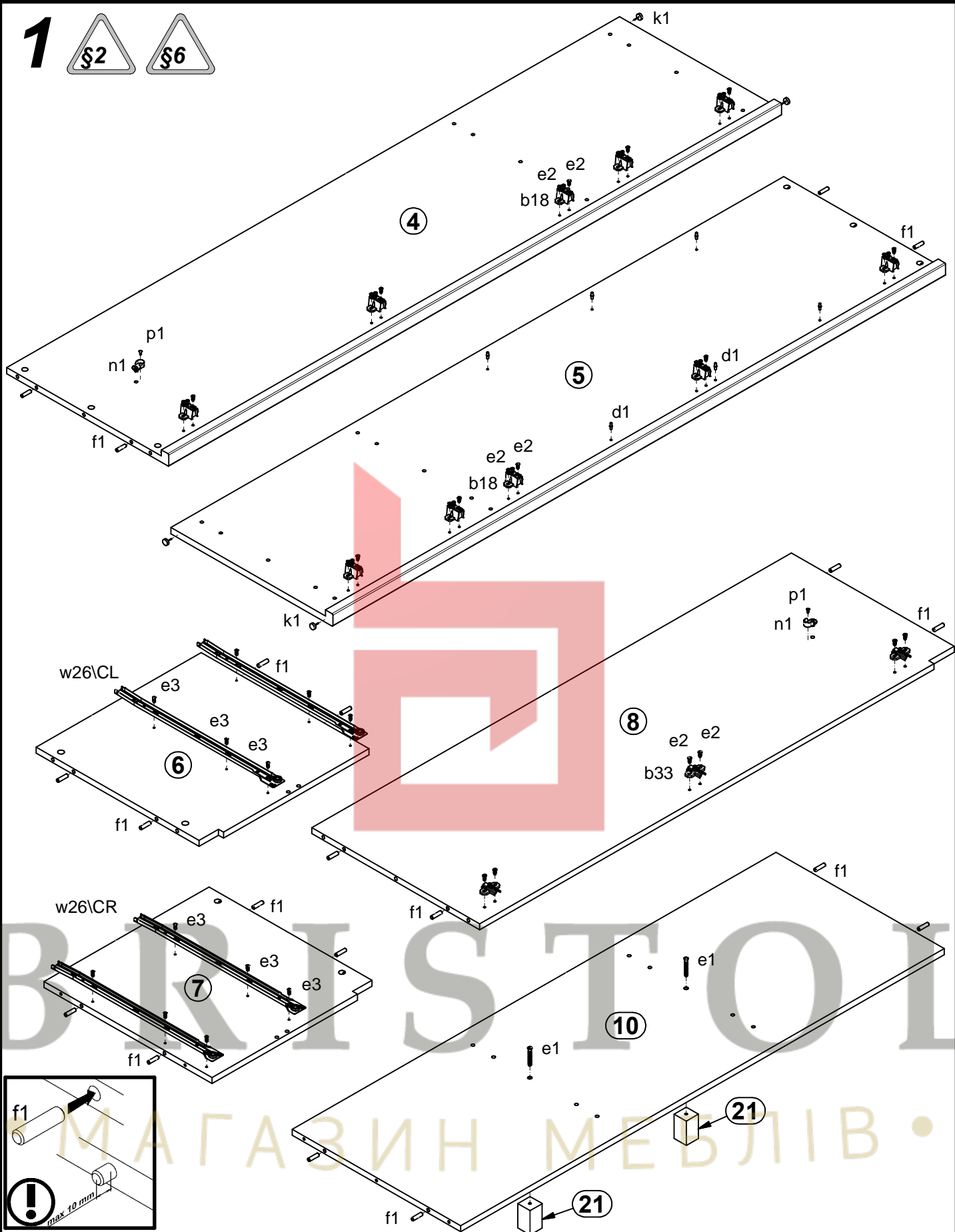
## S128-SZF5D2S

A	B	C	D	A	B	C	D		
1	S128-011	1468	482	5/6	14	S128-407	1495	60	2/6
2	S128-012	1468	482	5/6	15	S128-912	2037	1005	1/6
3	S128-013	1468	482	6/6	16	S128-913	429	498	2/6
4	S128-117	2066	546	1/6	17	S128-914	2037	521	1/6
5	S128-118	2066	546	1/6	18	S83-008	482	227	4/6
6	S128-119	510	519	3/6	19	S83-011	482	482	4/6
7	S128-120	510	519	3/6	20	S83-012	482	482	4/6
8	S128-121	1482	519	2/6	21	ZN1-501	65	38	2/6
9	S128-207	1532	549	2/6	22	ZS2-519	500	160	3/6
10	S128-310	1495	520	2/6	23	ZS2-520	500	160	3/6
11	S128-311	1495	520	2/6	24	ZS2-5522	418	160	3/6
12	S128-312	498	518	3/6	25	dr-975	975	30	2/6
13	S128-404	467	60	2/6					

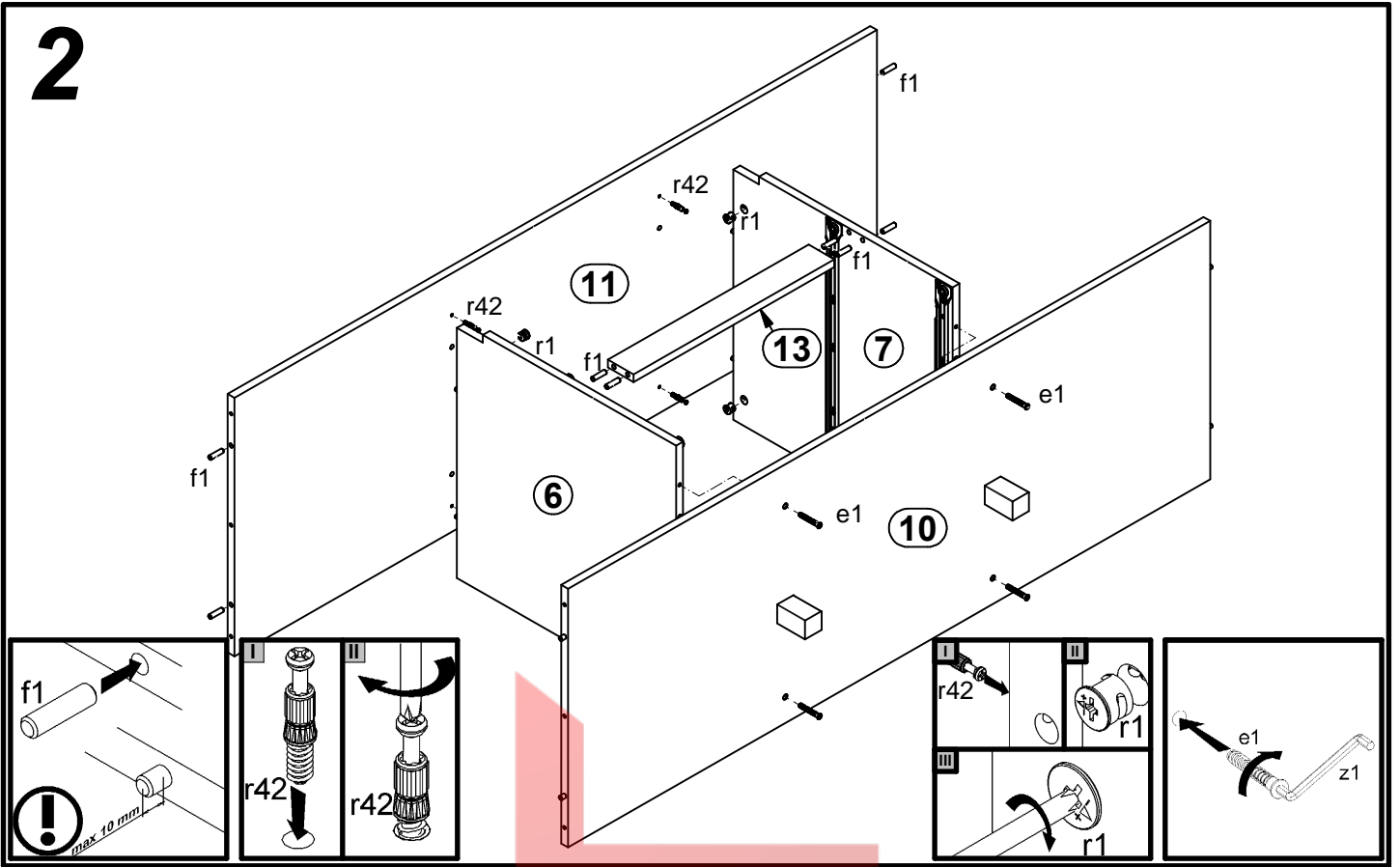


10x  a43	3x  a68	10x  b18	3x  b33	12x  d1	18x  e1	12x  e19	26x  e2	12x  e3
36x  f1	8x  f25	4x  k1	125  l1	2x  n1	2x  p1	26x  p51	16x  r1	8x  r15
24x  r42	2x  w26\CL	2x  w26\CR	2x  w26\DL	2x  w26\DR	12x  s1	12x  s2	1x  z1	1x  n26\1
1x  p38								

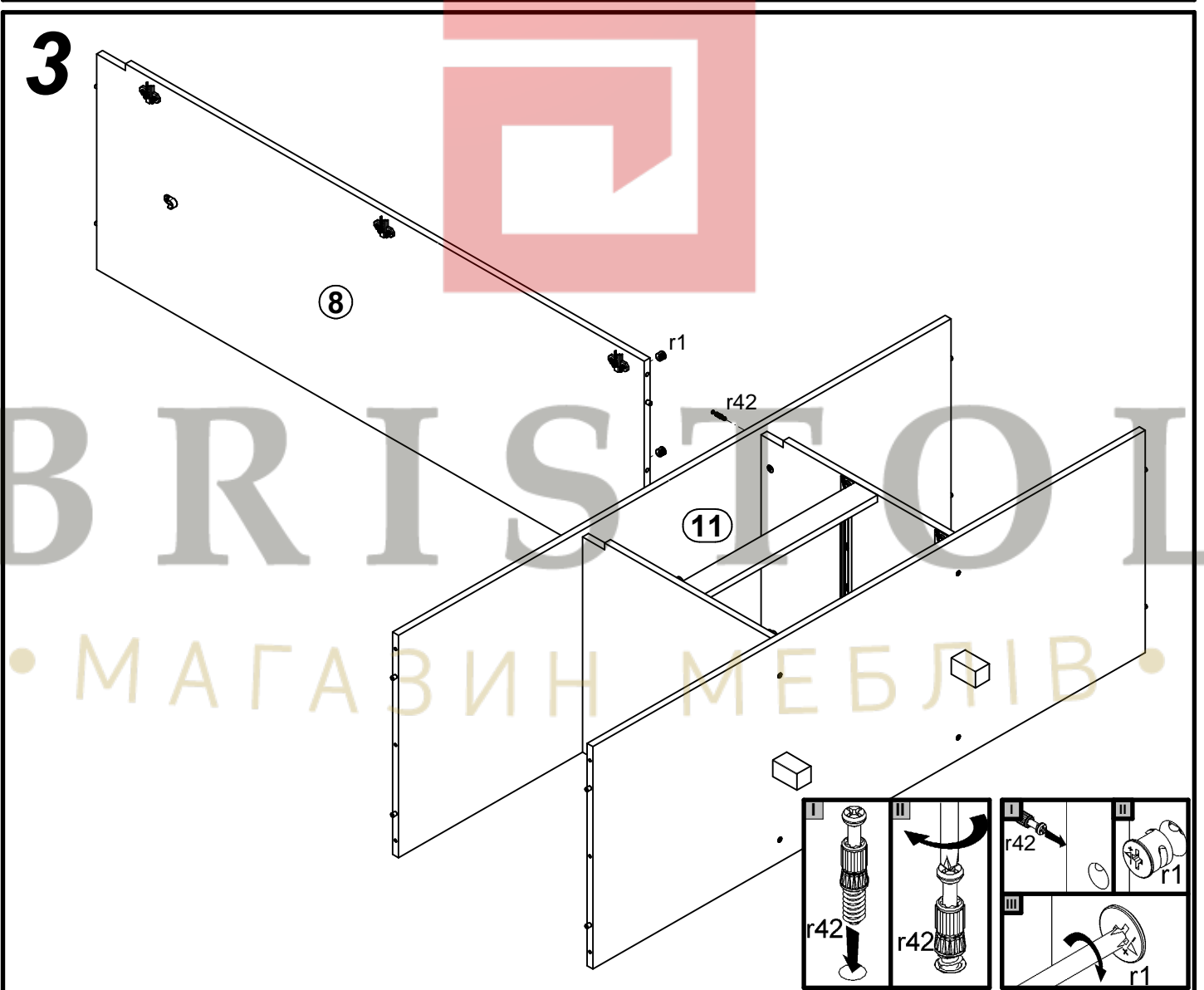
1



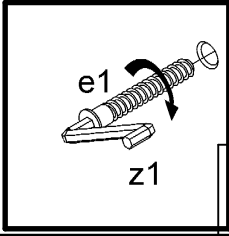
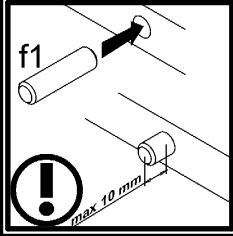
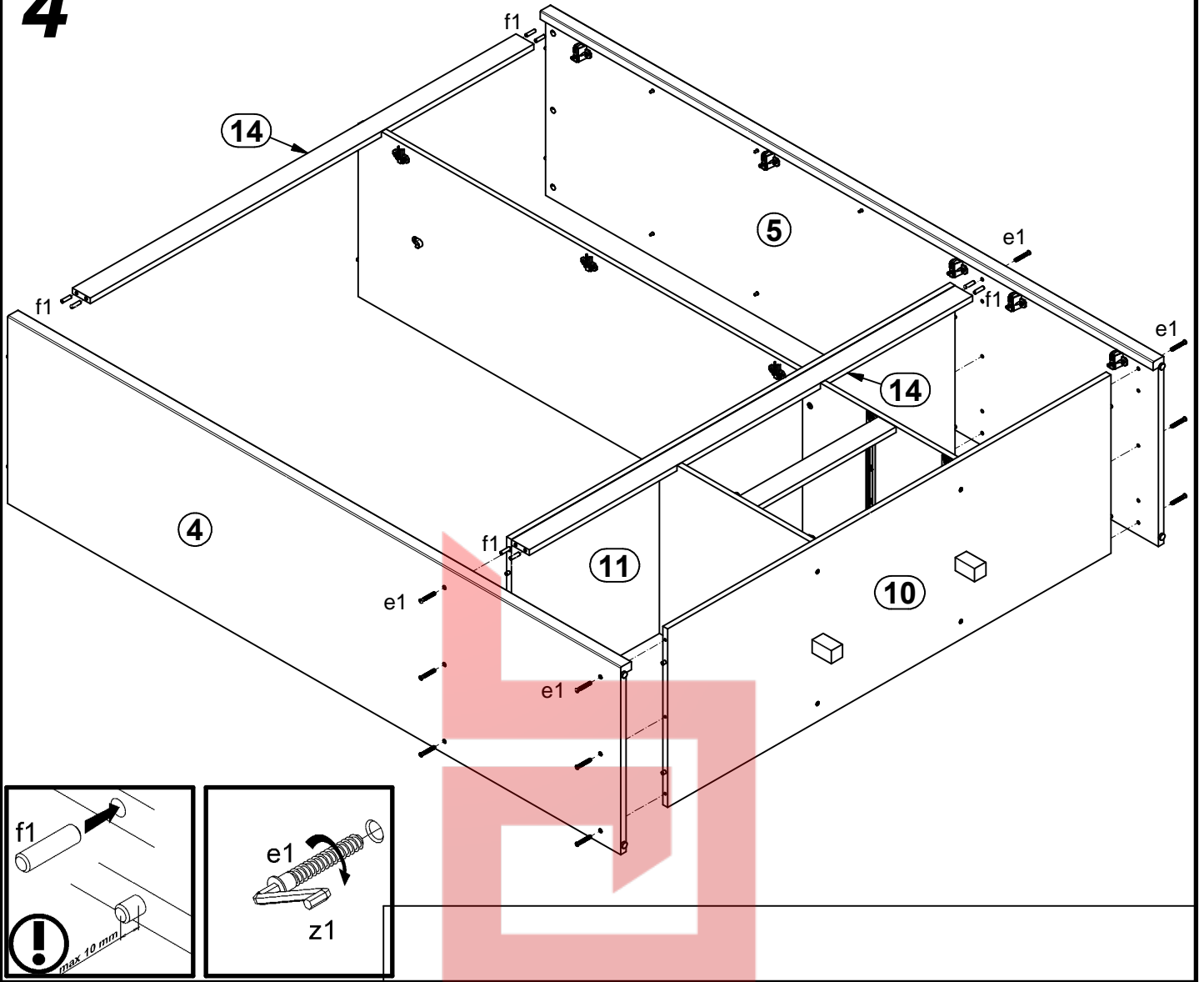
# 2



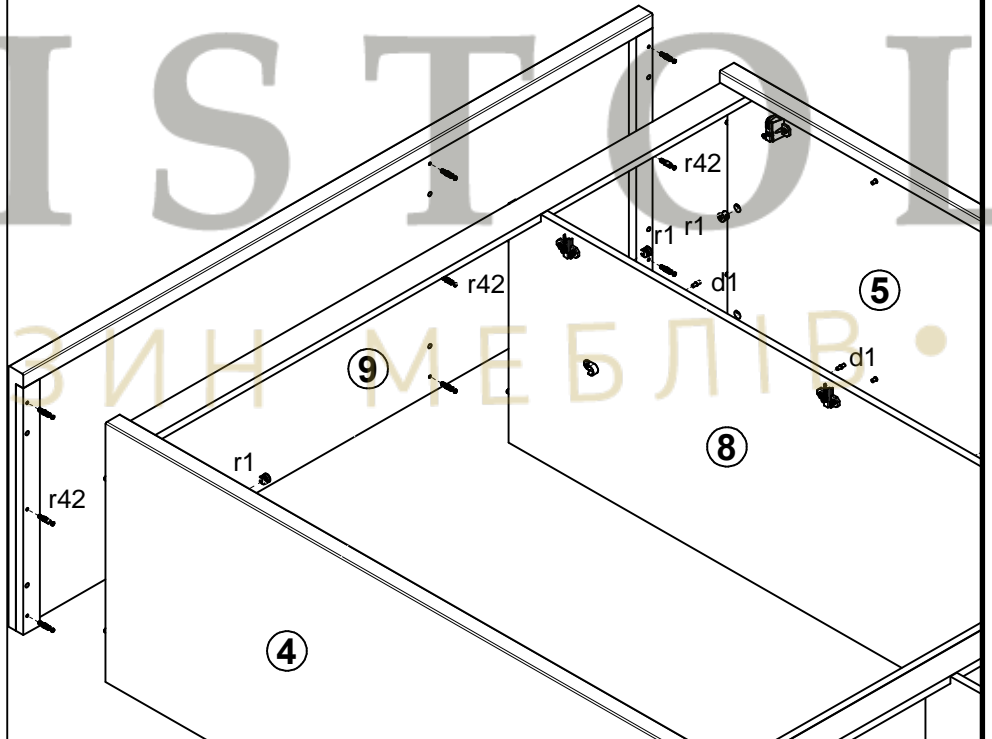
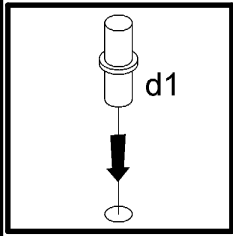
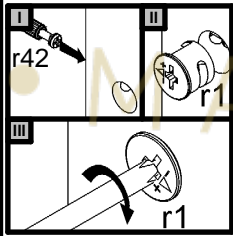
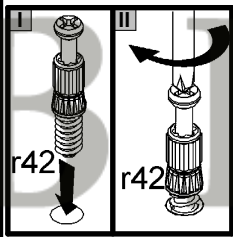
# 3



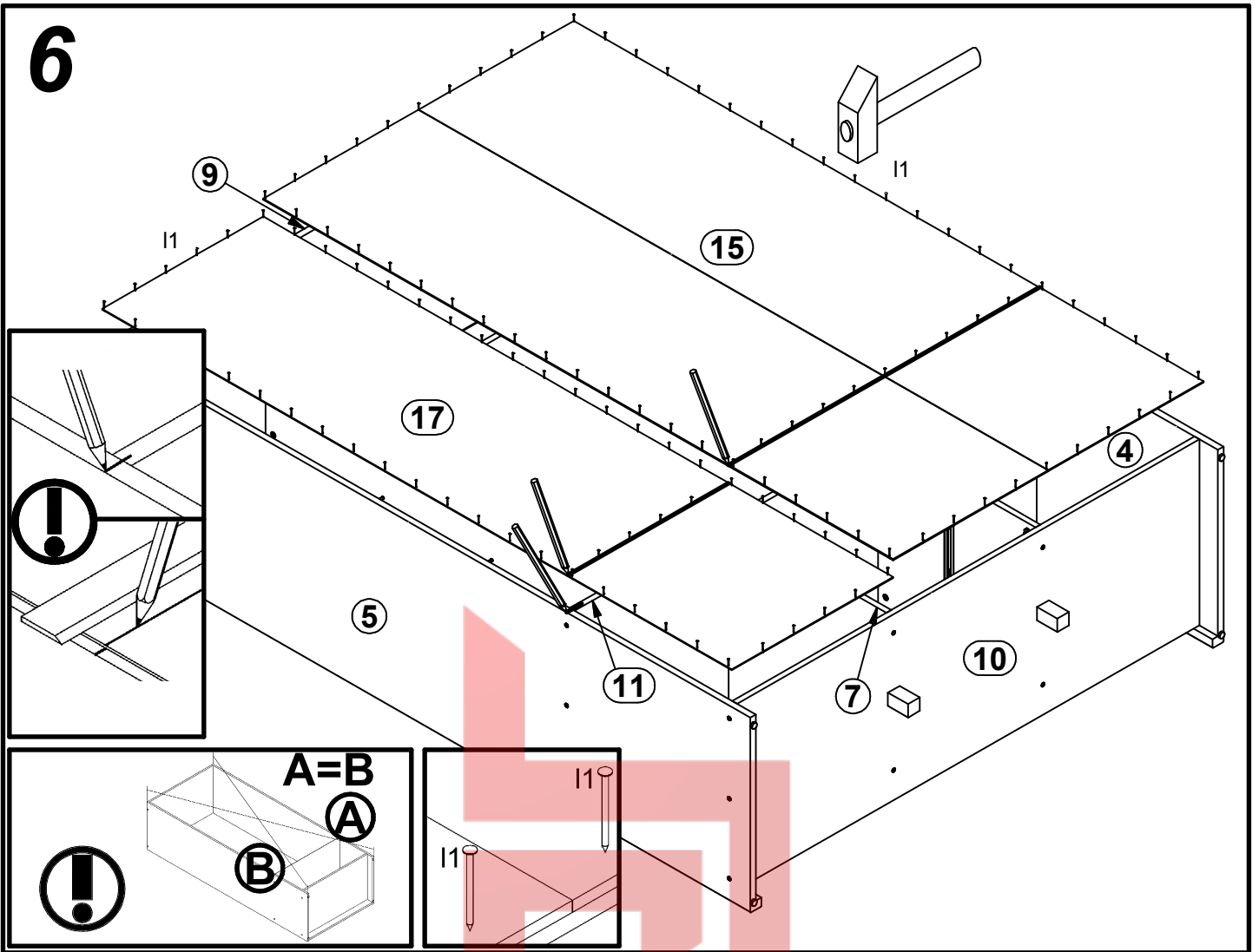
# 4



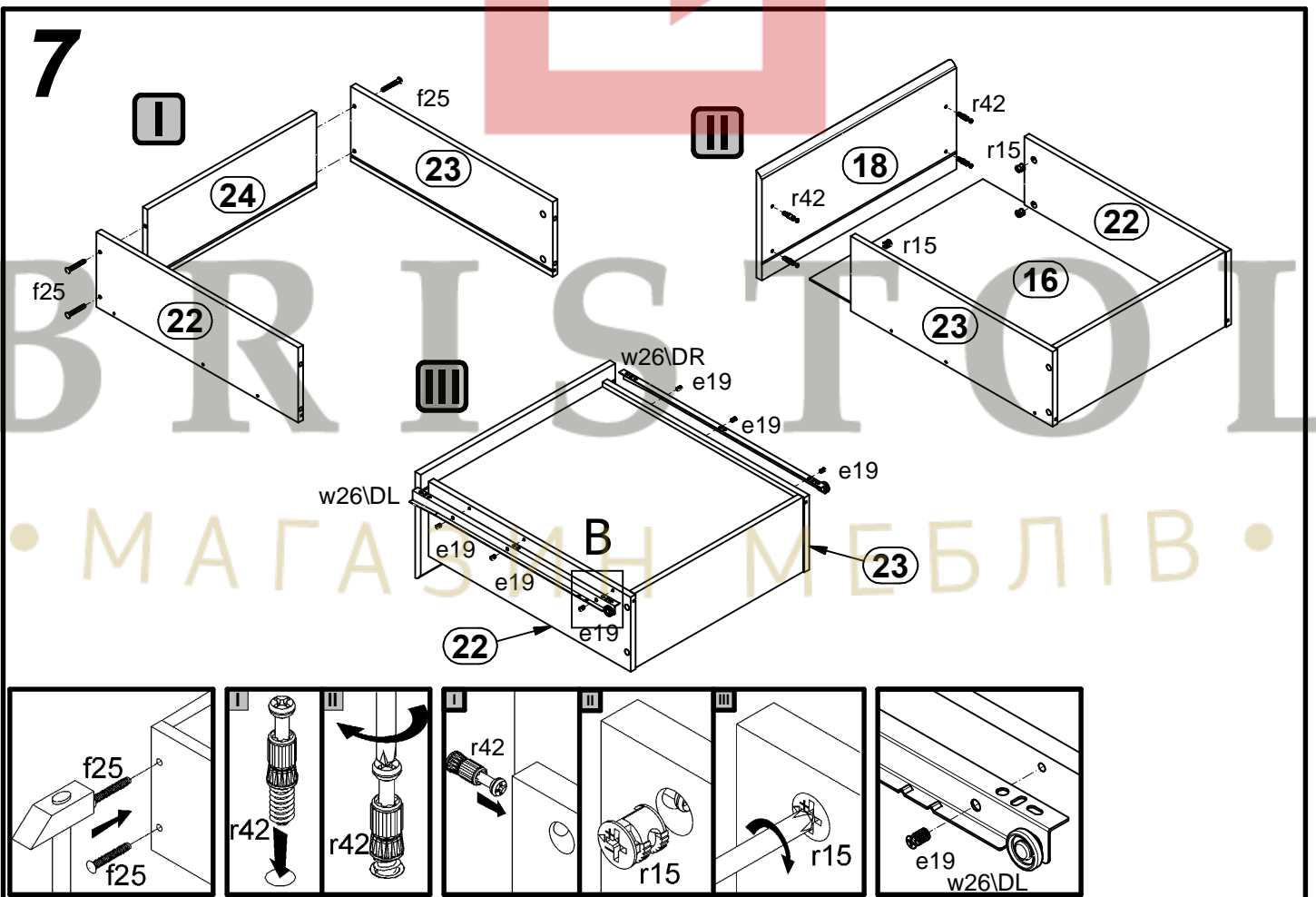
# 5



# 6



# 7



8



n261



p38

