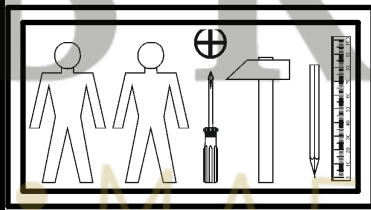
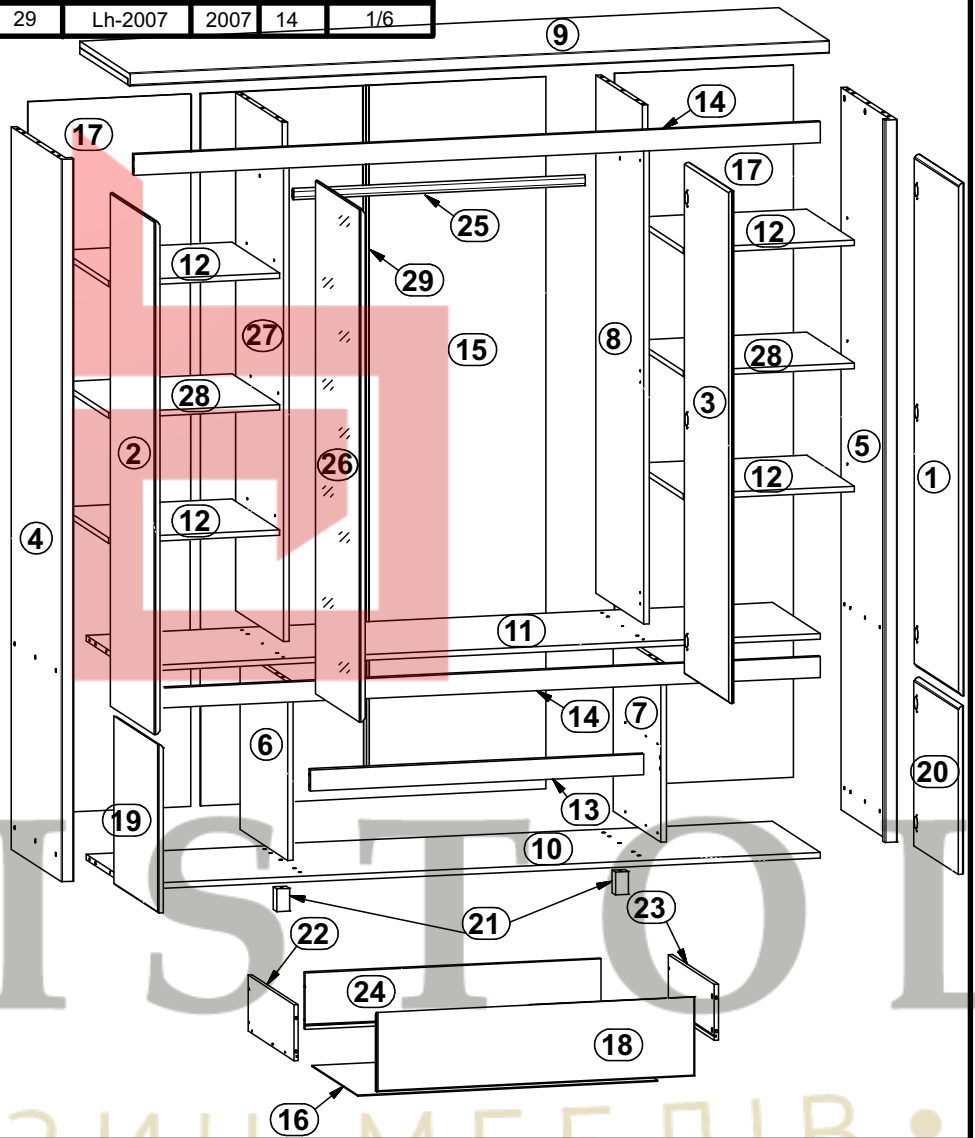
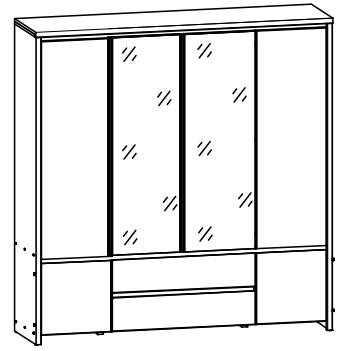


# KASPIAN

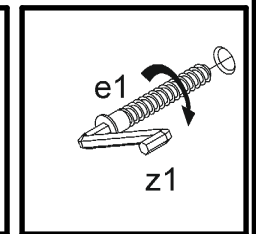
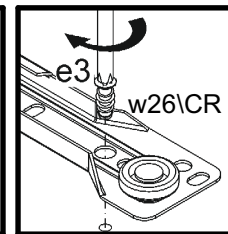
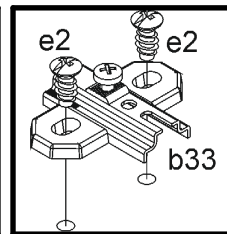
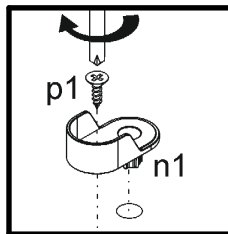
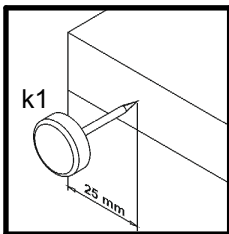
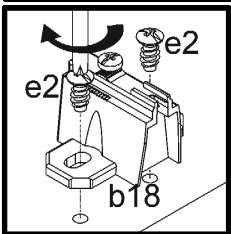
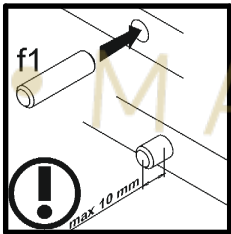
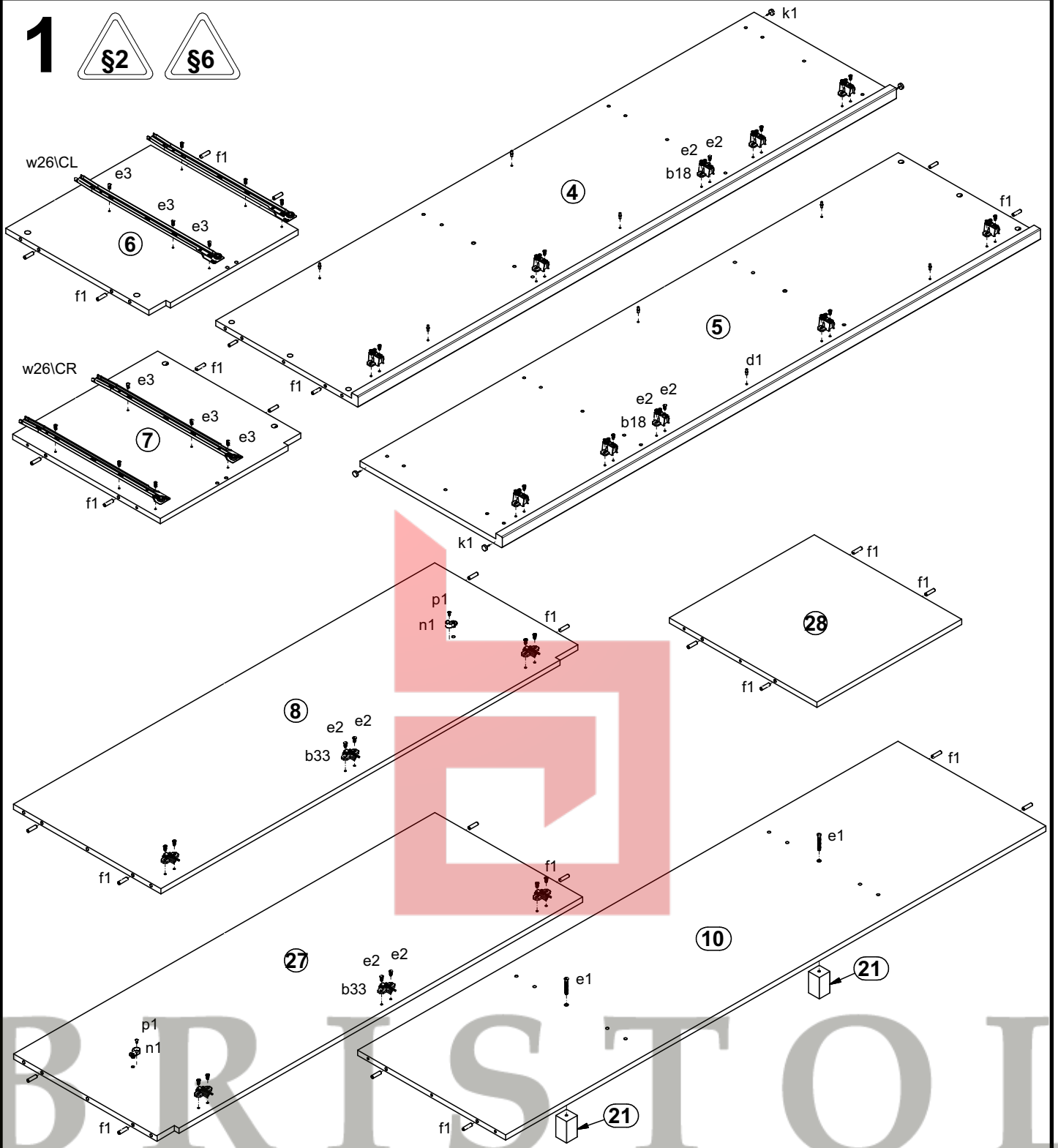
# S128-SZF6D2S

A	B	C		D	A	B	C		D
1	S128-0011	1468	482	5/6	15	S128-940	2037	484	1/6
2	S128-0012	1468	482	5/6	16	S128-941	915	498	3/6
3	S128-0013	1468	482	6/6	17	S128-914	2037	521	1/6
4	S128-170	2066	546	1/6	18	S128-040	967	227	4/6
5	S128-161	2066	546	1/6	19	S83-011	482	482	4/6
6	S128-164	510	519	3/6	20	S83-012	482	482	4/6
7	S128-165	510	519	3/6	21	ZN1-501	65	38	3/6
8	S128-163	1482	519	2/6	22	ZS2-519	500	160	3/6
9	S128-230	2018	549	1/6	23	ZS2-520	500	160	3/6
10	S128-340	1981	520	2/6	24	S128-570	904	160	3/6
11	S128-341	1981	520	2/6	25	dr-948	948	30	2/6
12	S128-312	498	518	3/6	26	S128-041	1468	482	6/6
13	S128-470	953	60	3/6	27	S128-162	1482	519	2/6
14	S128-471	1981	60	2/6	28	S128-342	498	518	2/6
					29	Lh-2007	2007	14	1/6

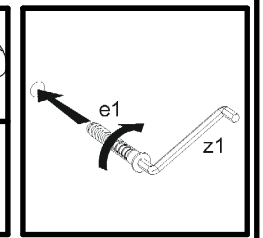
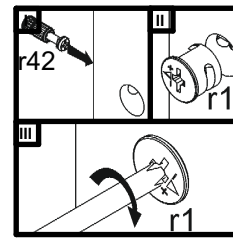
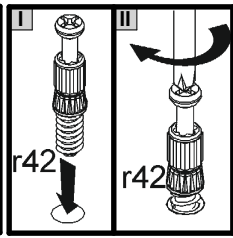
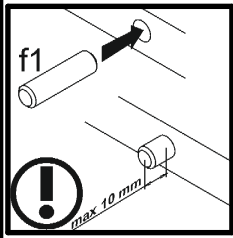
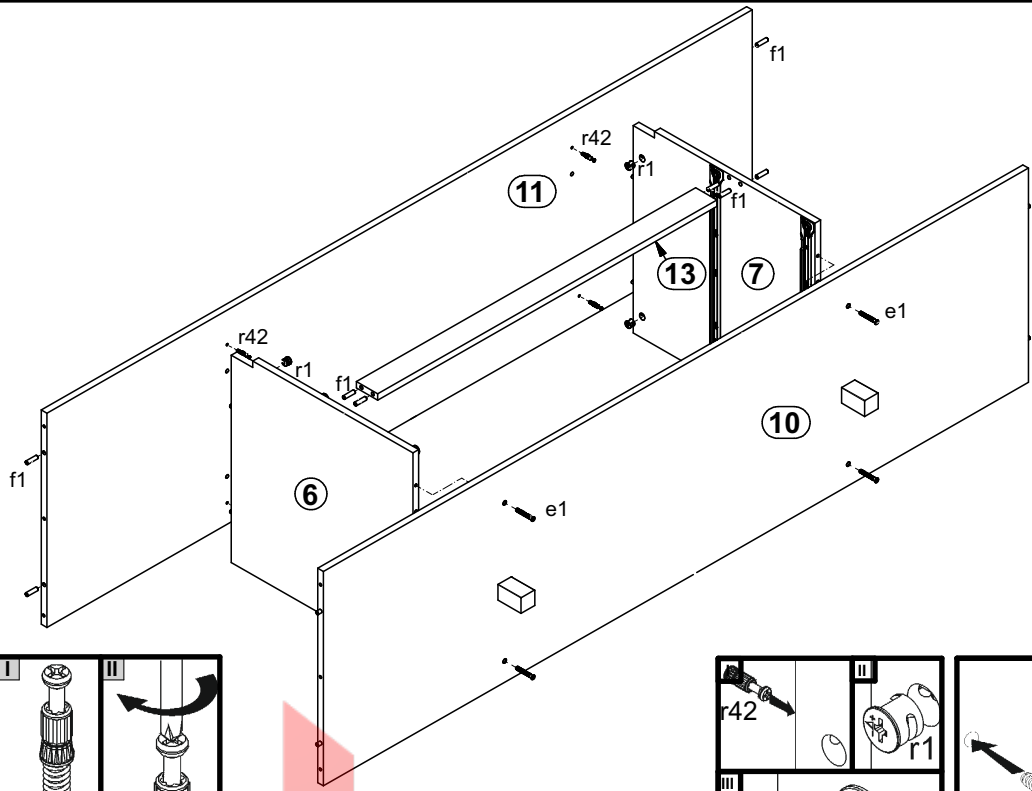


10x  a43	6x  a68	10x  b18	6x  b33	16x  d1	18x  e1	12x  e19	32x  e2	12x  e3
48x  f1	8x  f25	4x  k1	150  l1	2x  n1	2x  p1	32x  p51	34x  r1	8x  r15
42x  r42	2x  w26\CL	2x  w26\CR	2x  w26\DL	2x  w26\DR	12x  s1	24x  s2	1x  z1	1x  n26\1
1x  p38	2x  t17	12x  p1						

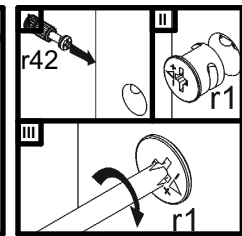
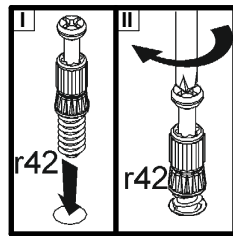
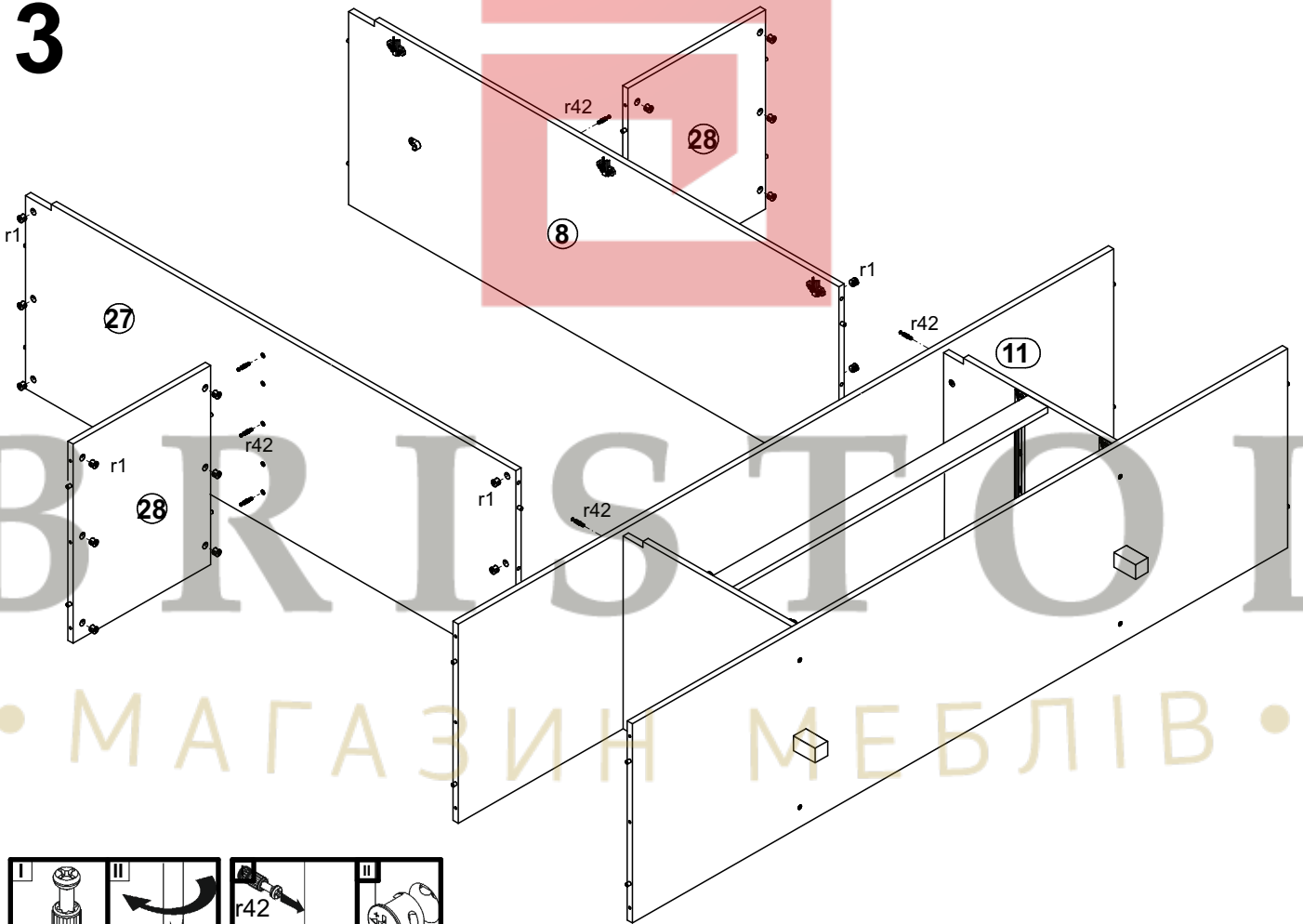
# 1



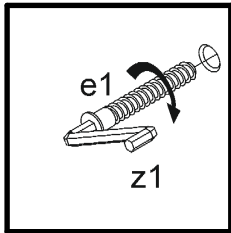
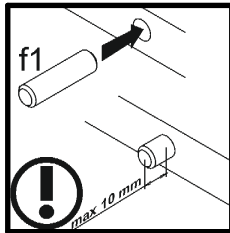
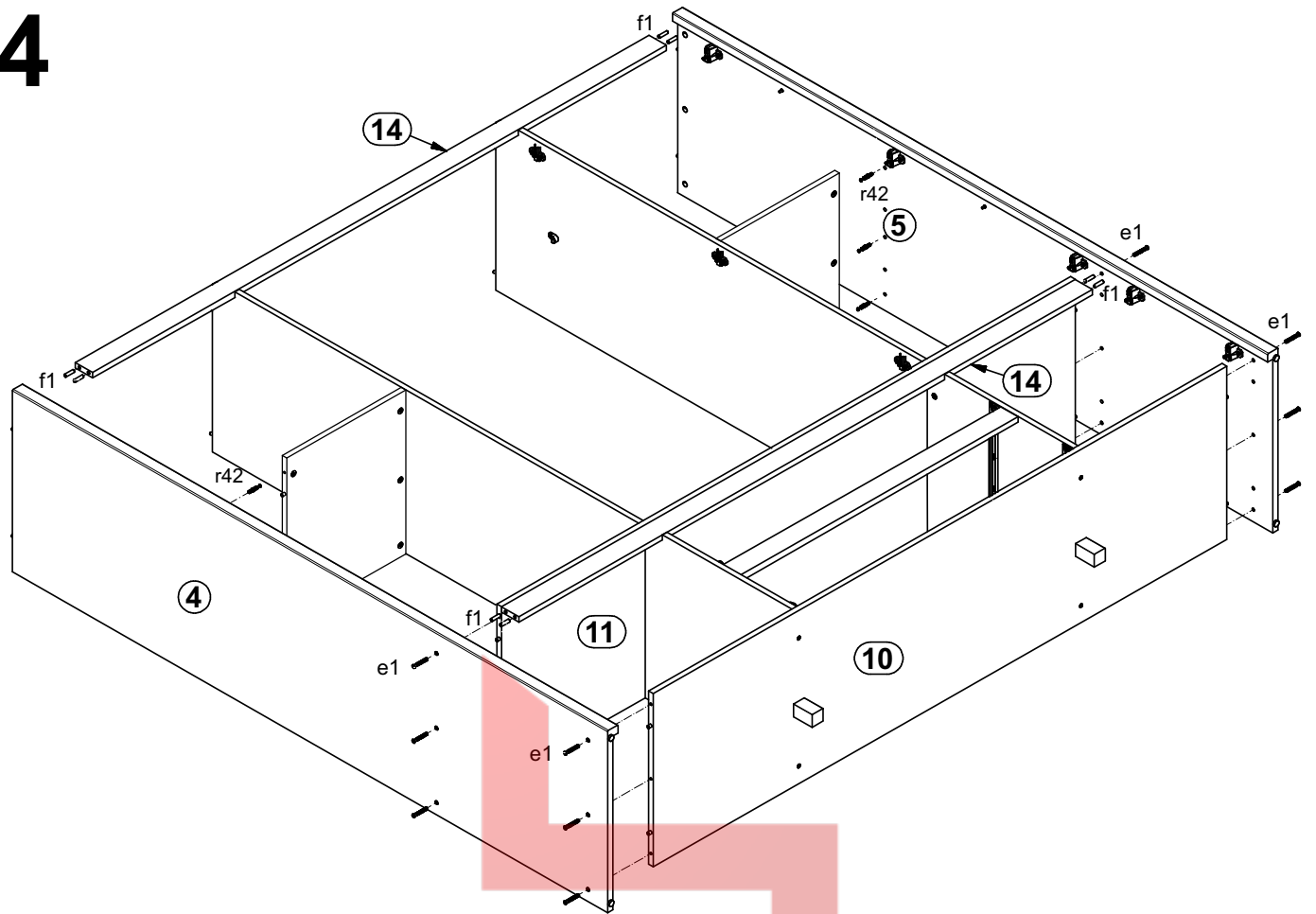
# 2



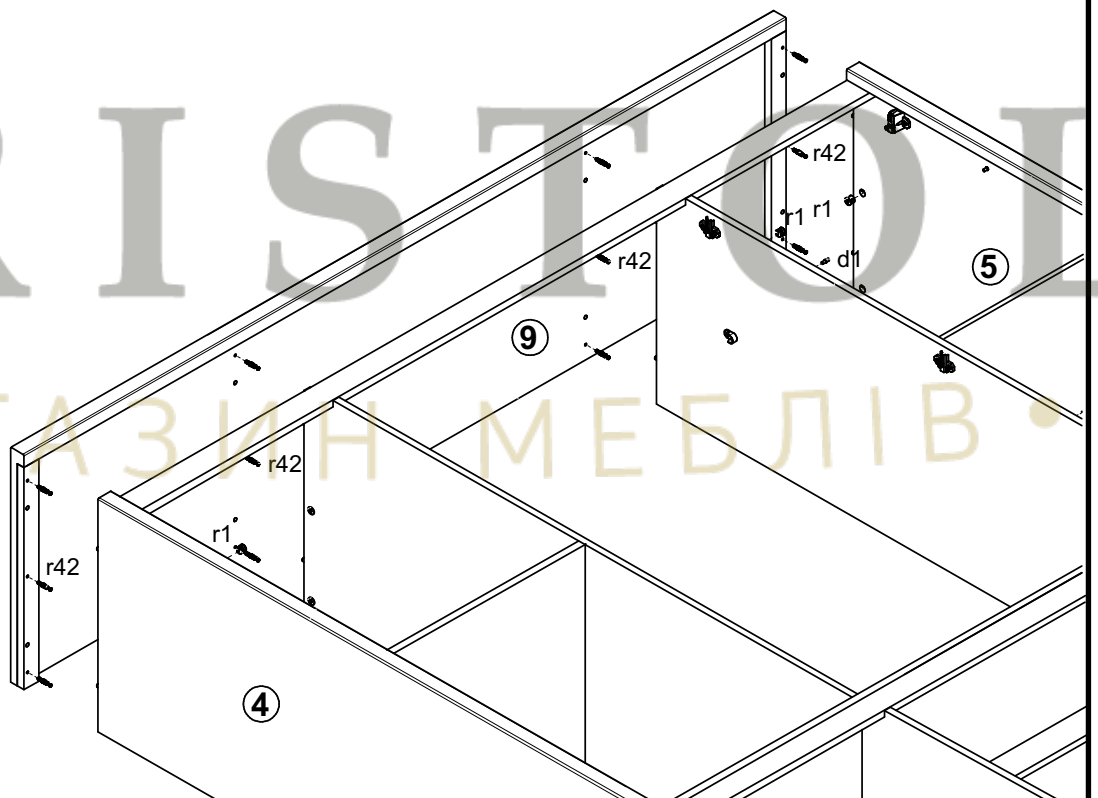
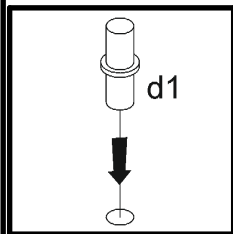
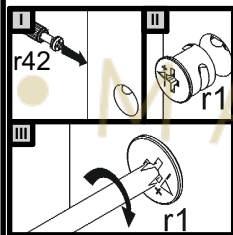
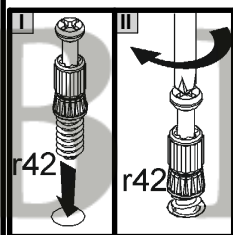
# 3



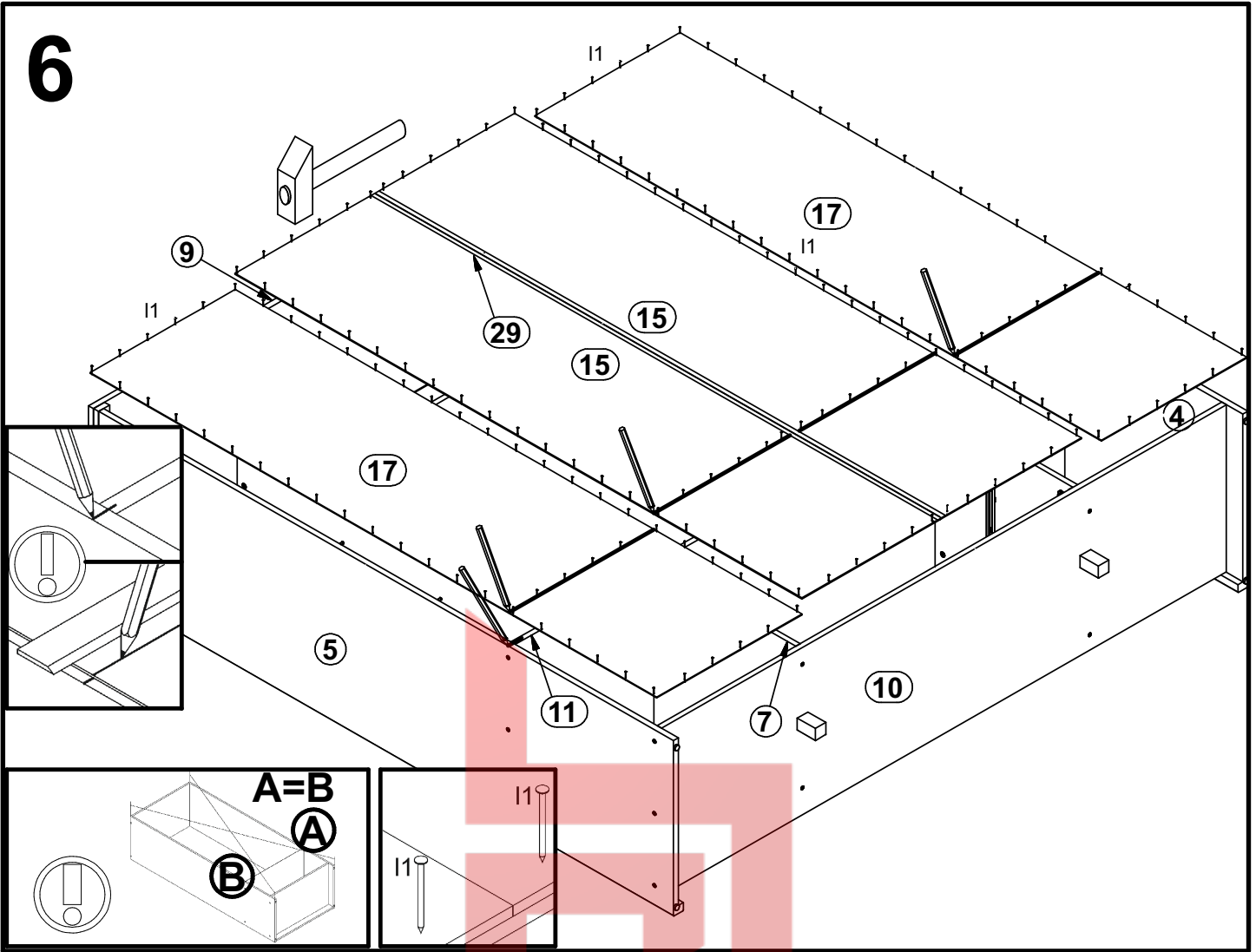
# 4



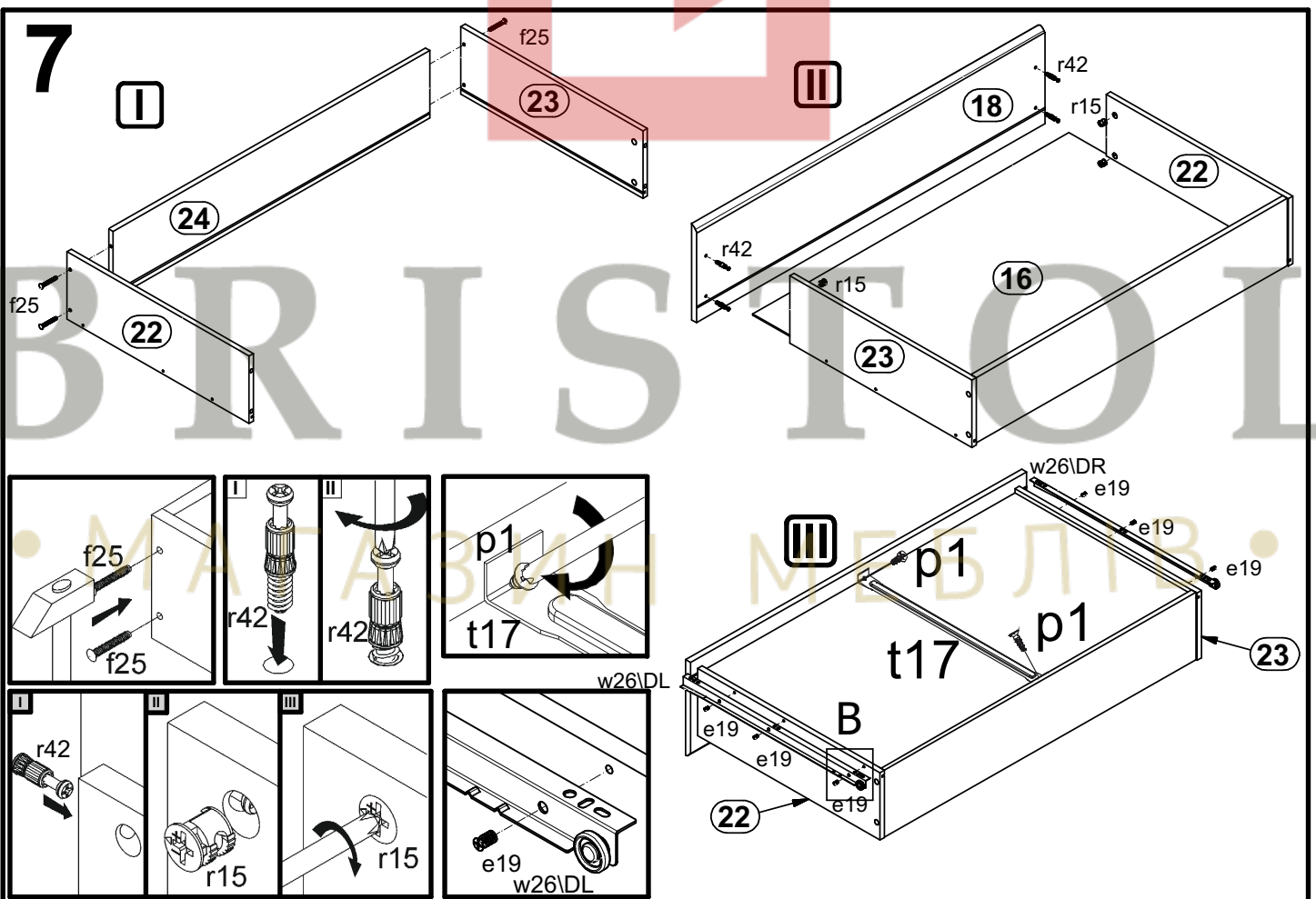
# 5



# 6



# 7



8

