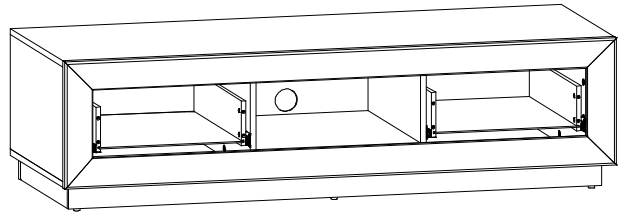
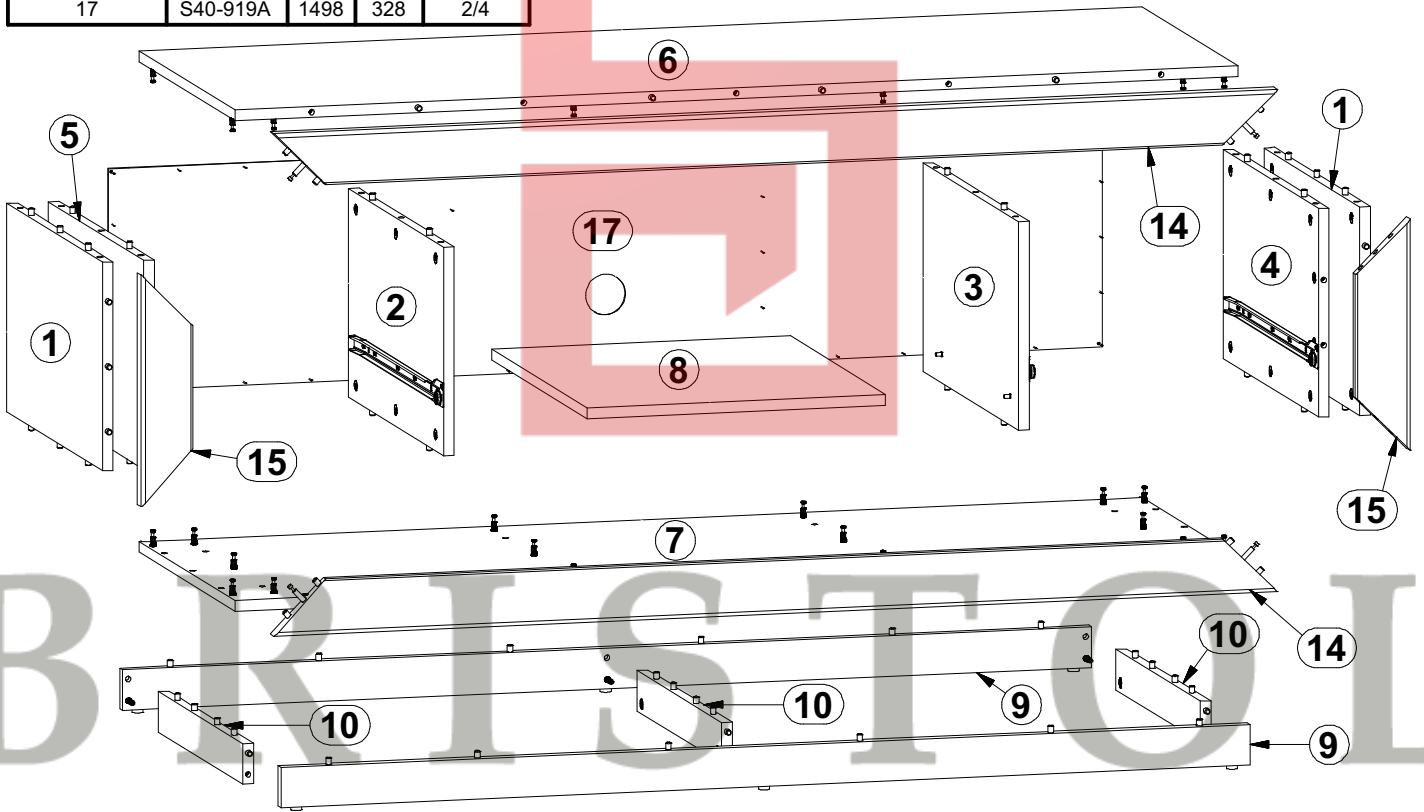
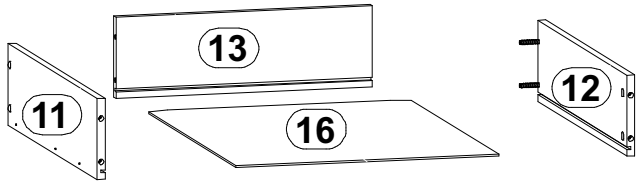


LARGO

PRTV2S/4/15



| A | B | C | D | |
|----|----------|------|-----|-----|
| 1 | S40-121 | 308 | 536 | 1/4 |
| 2 | S40-123 | 308 | 536 | 1/4 |
| 3 | S40-124 | 308 | 536 | 1/4 |
| 4 | S40-125 | 308 | 536 | 1/4 |
| 5 | S40-126 | 308 | 536 | 1/4 |
| 6 | S40-217A | 1511 | 536 | 2/4 |
| 7 | S40-218A | 1511 | 536 | 2/4 |
| 8 | S40-312 | 450 | 536 | 1/4 |
| 9 | S40-405 | 1460 | 60 | 2/4 |
| 10 | S40-408 | 475 | 60 | 2/4 |
| 11 | S40-506 | 500 | 120 | 2/4 |
| 12 | S40-507 | 500 | 120 | 2/4 |
| 13 | S40-508 | 386 | 120 | 2/4 |
| 14 | S40-573 | 1512 | 80 | 3/4 |
| 15 | S40-580 | 342 | 80 | 3/4 |
| 16 | S40-918A | 498 | 396 | 2/4 |
| 17 | S40-919A | 1498 | 328 | 2/4 |

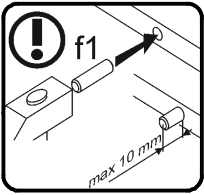
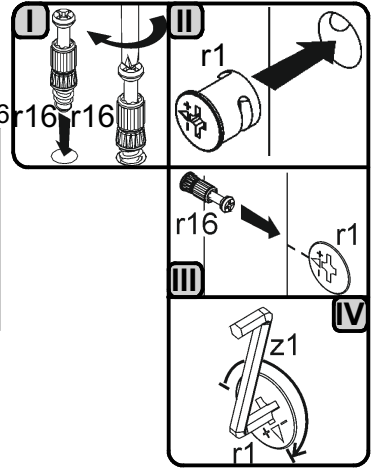
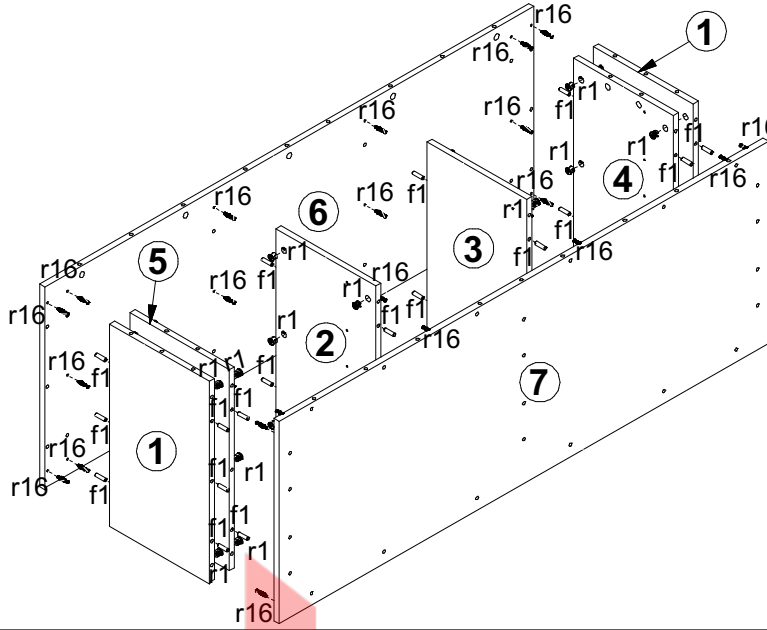


• МАГАЗИН МЕБЛІВ •

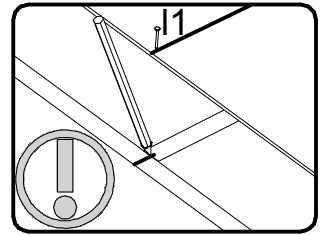
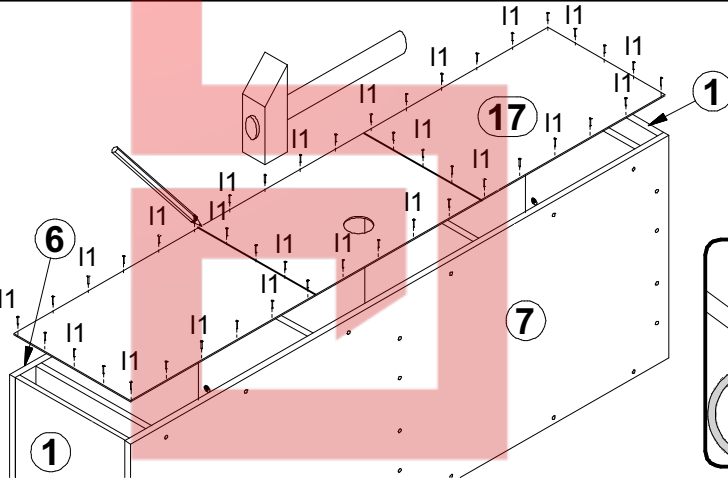
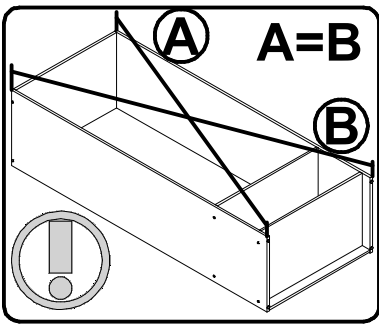
| | | | | | | | | |
|---------------------------|----------------------------|--------------------------------|---------------|----------------------------------|---------------------------|---------------------------|-----------------------------|--------------|
| 44x l1 | 12x p54 φ3x12 mm | 60x r1 φ1.5x12mm #16 | 4x r10 | 8x r15 φ1.2x10.5mm #12 | 16x r16 | 80x f1 φ8x30 mm | 8x f25 φ6.5x40 mm | 6x k1 |
| 2x w26DR 500 mm | 1x y1 GLUE | 1x z1 | 1x n26 | 1x p38 φ3,5x16 mm | 2x w26CL 500 mm | 2x w26CR 500 mm | 2x w26DL 500 mm | |



1



2



3

