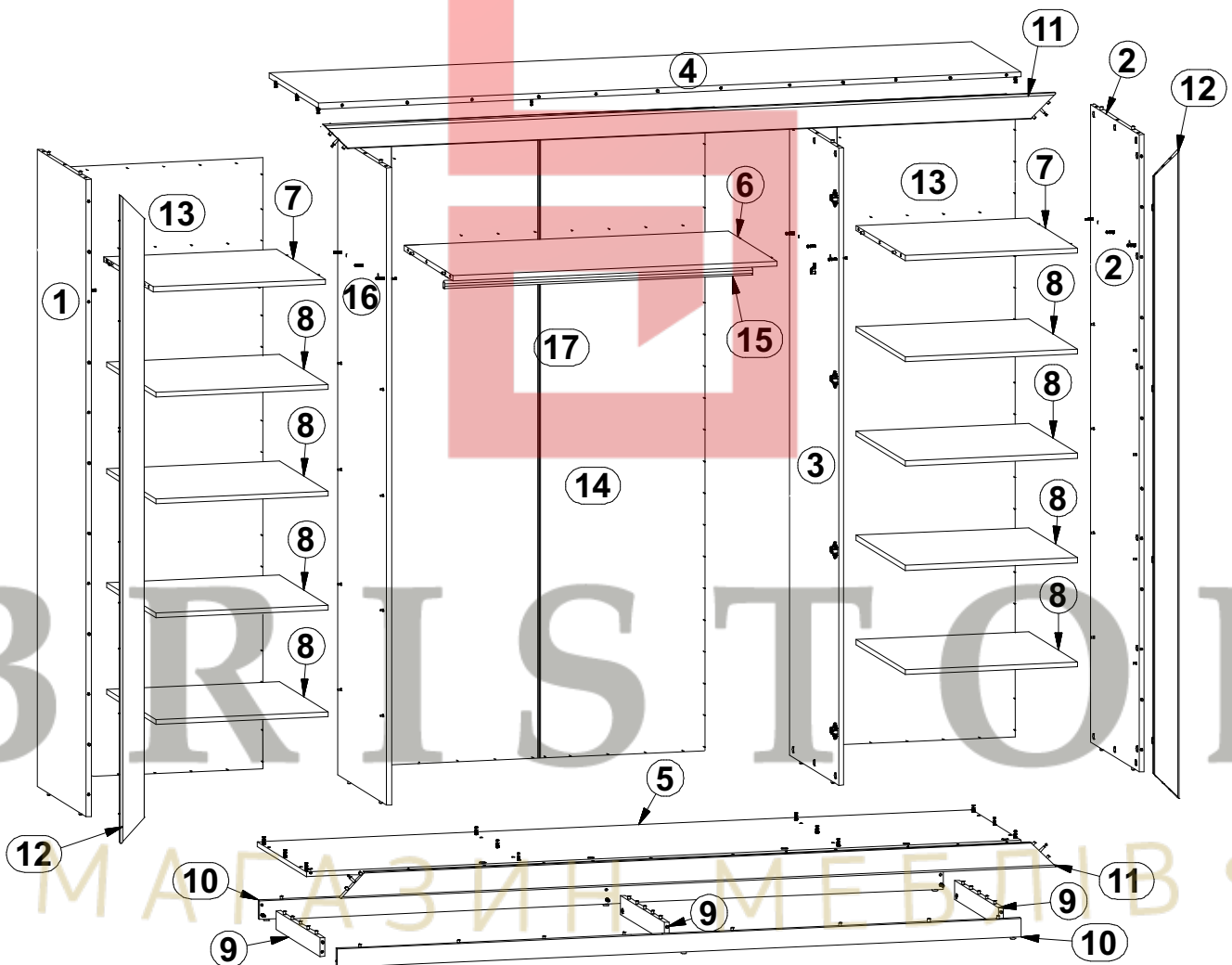
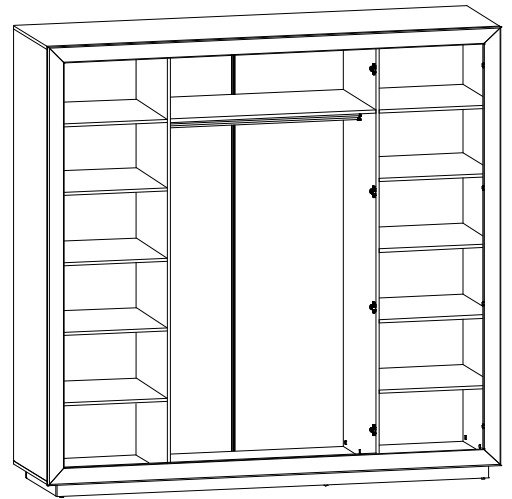


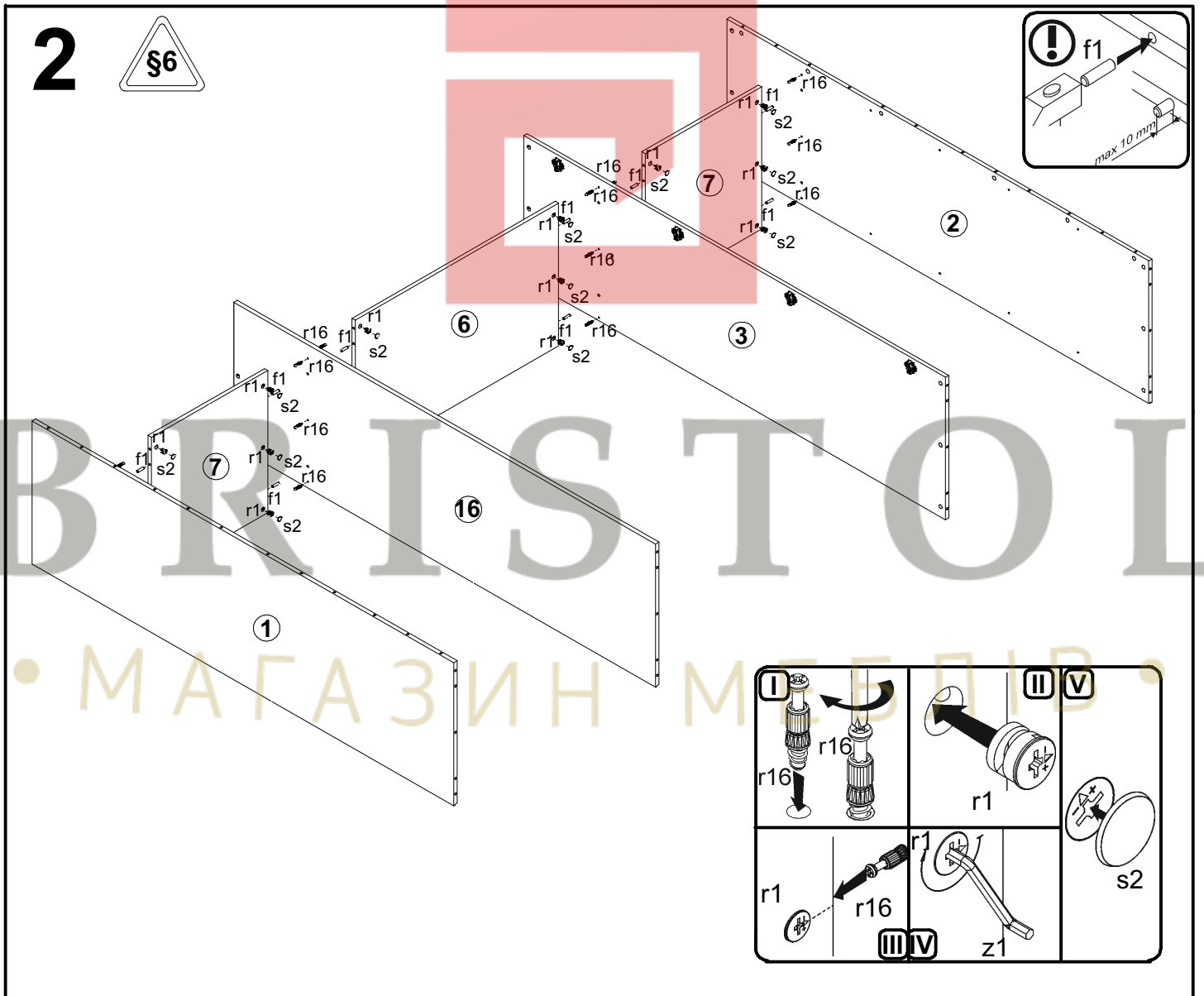
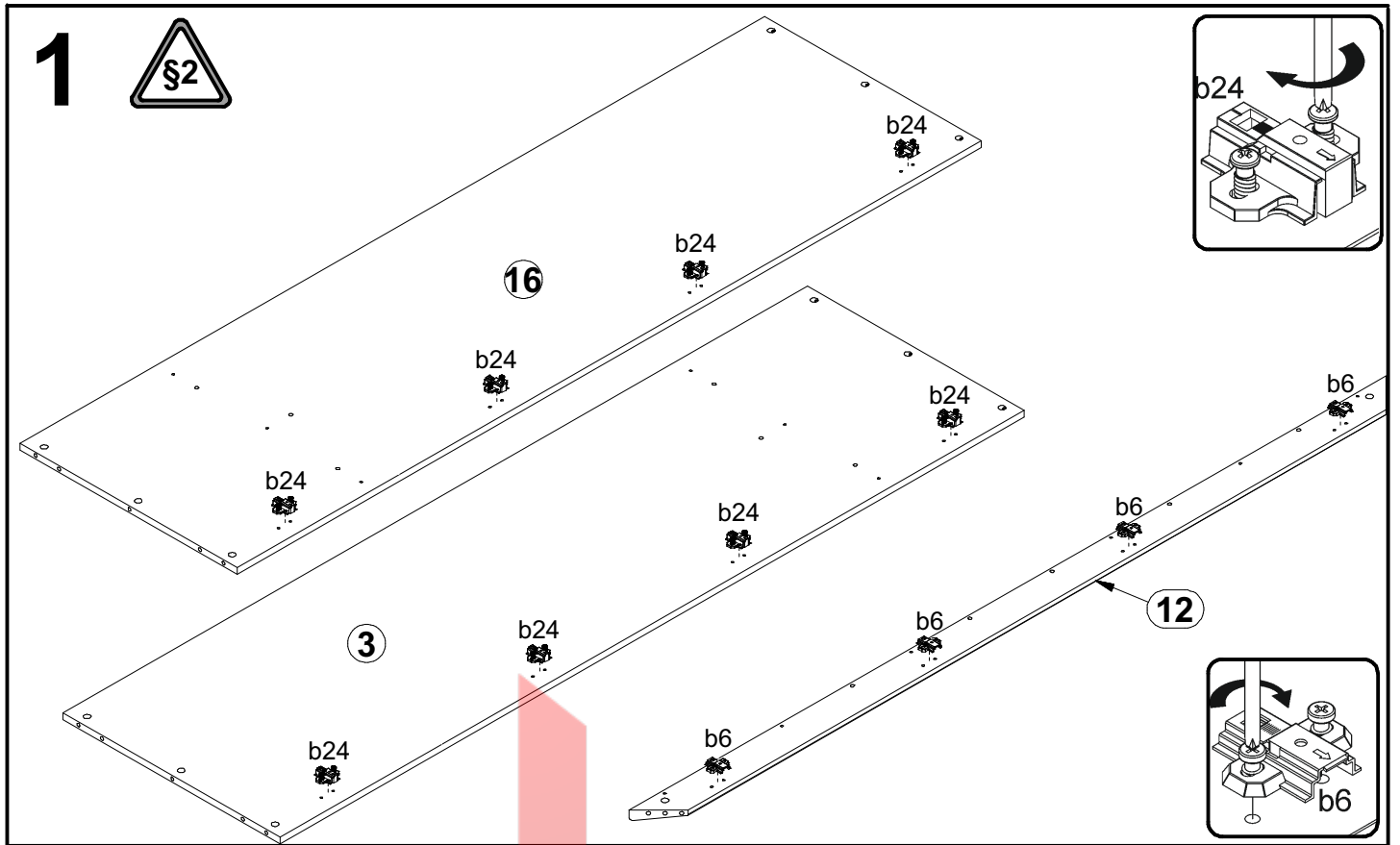
LARGO

PSZF4D/21/20

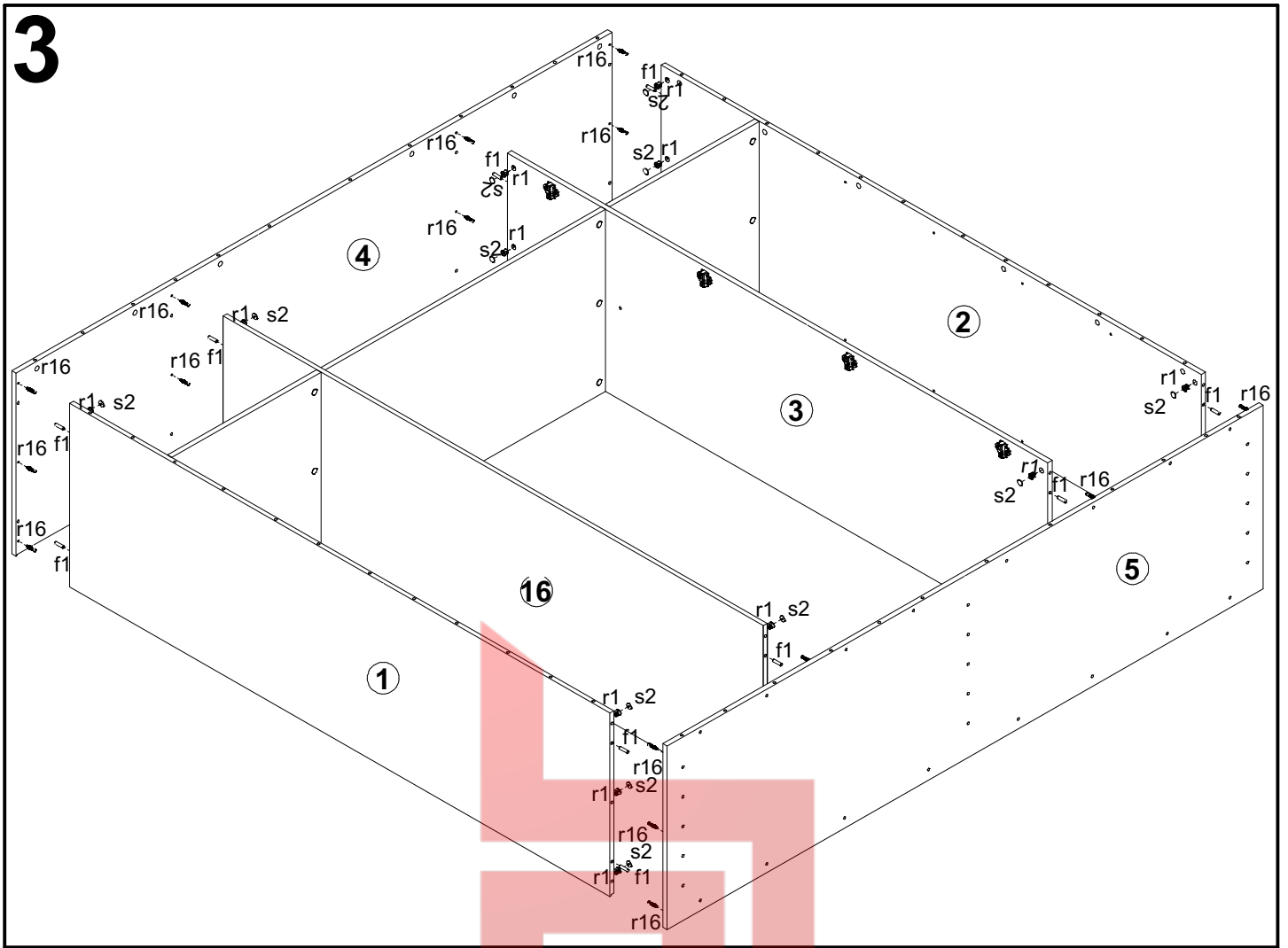
A	B	C	D	
1	S40-151	2028	591	1/6
2	S40-1119	2028	591	1/6
3	S40-120	2028	591	2/6
4	S40-240	2061	591	3/6
5	S40-241	2061	591	3/6
6	S40-330	876	591	3/6
7	S40-310	560	591	3/6
8	S40-311	560	591	4/6
9	S40-406	530	60	3/6
10	S40-440	1960	60	3/6
11	S40-579	2062	80	5/6
12	S40-579	2062	80	5/6
13	S40-9916	2048	578	1/6
14	S40-940	2048	445	1/6
15	dr-871	871	30	3/6
16	S40-150	2028	591	2/6
17	LH-2018	2018	14	1/6



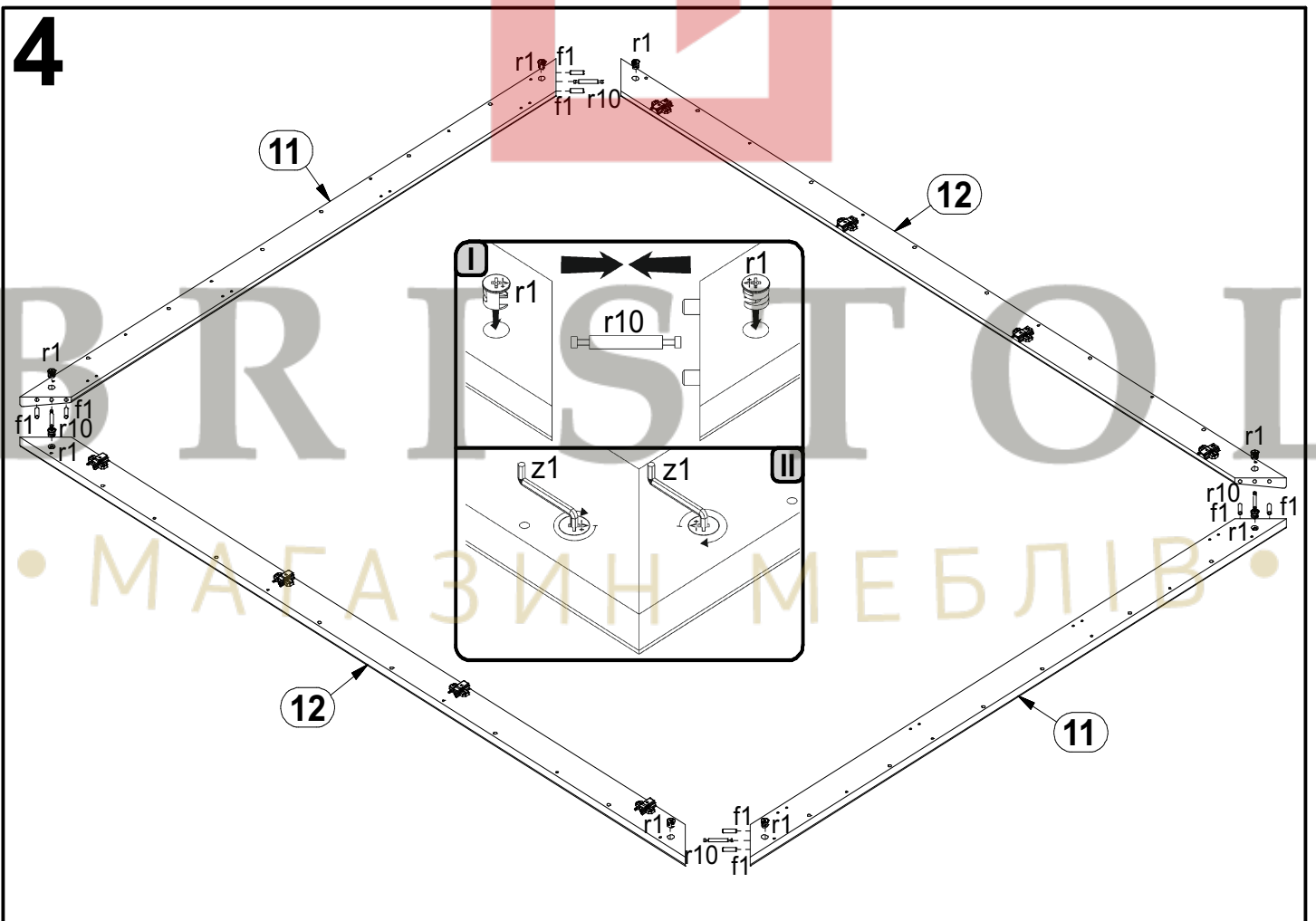
97x $\phi 8 \times 30$ mm f1	6x k1	150x l1	2x n1	8x a56	8x a58	8x b24	8x b6	32x $\phi 5 \times 17$ mm d1
1x GLUE y1	1x z1	1x n26	1x $\phi 3,5 \times 16$ mm p38	2x $\phi 3,5 \times 13$ mm p1	80x $\phi 1,5 \times 12$ mm #16 r1	4x r10	72x r16	66x $\phi 16$ s2



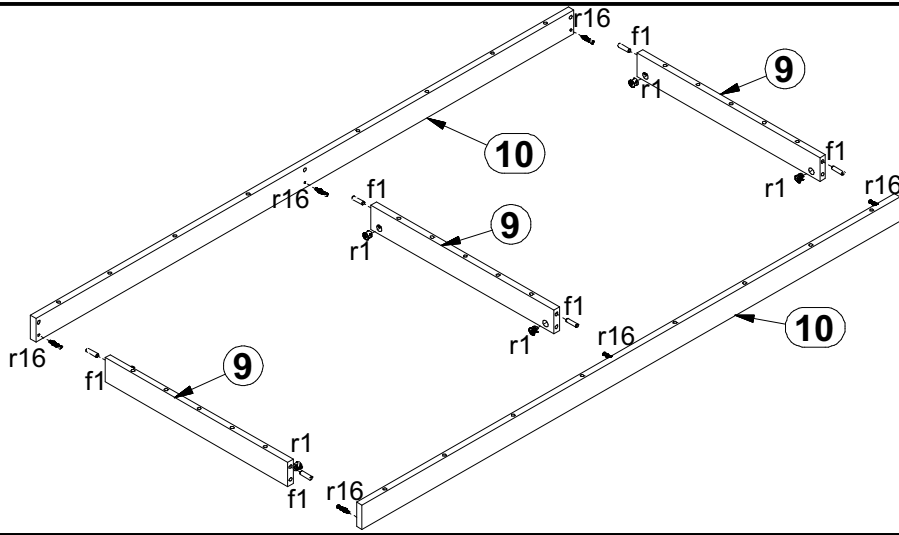
3



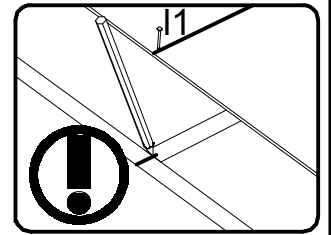
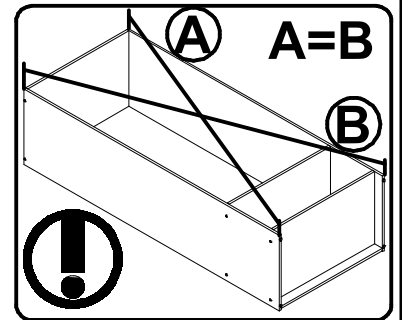
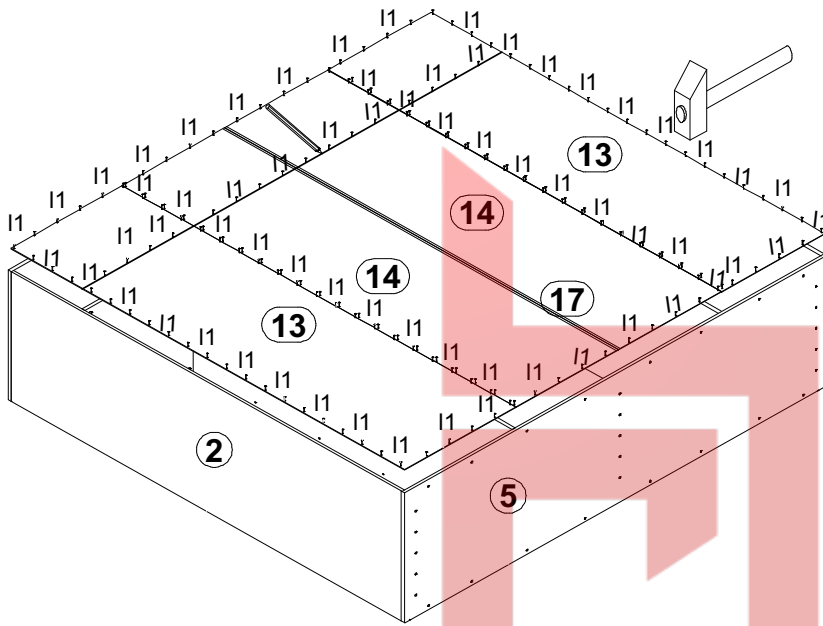
4



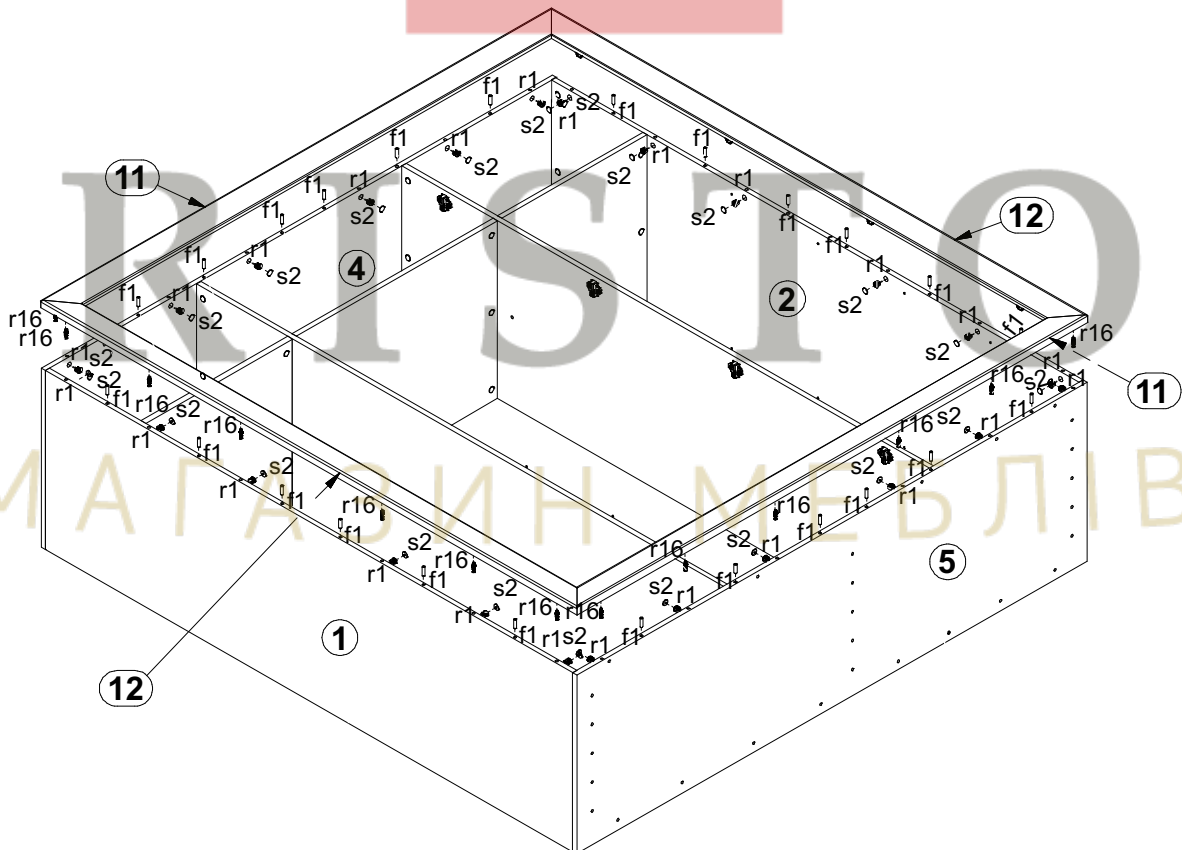
5



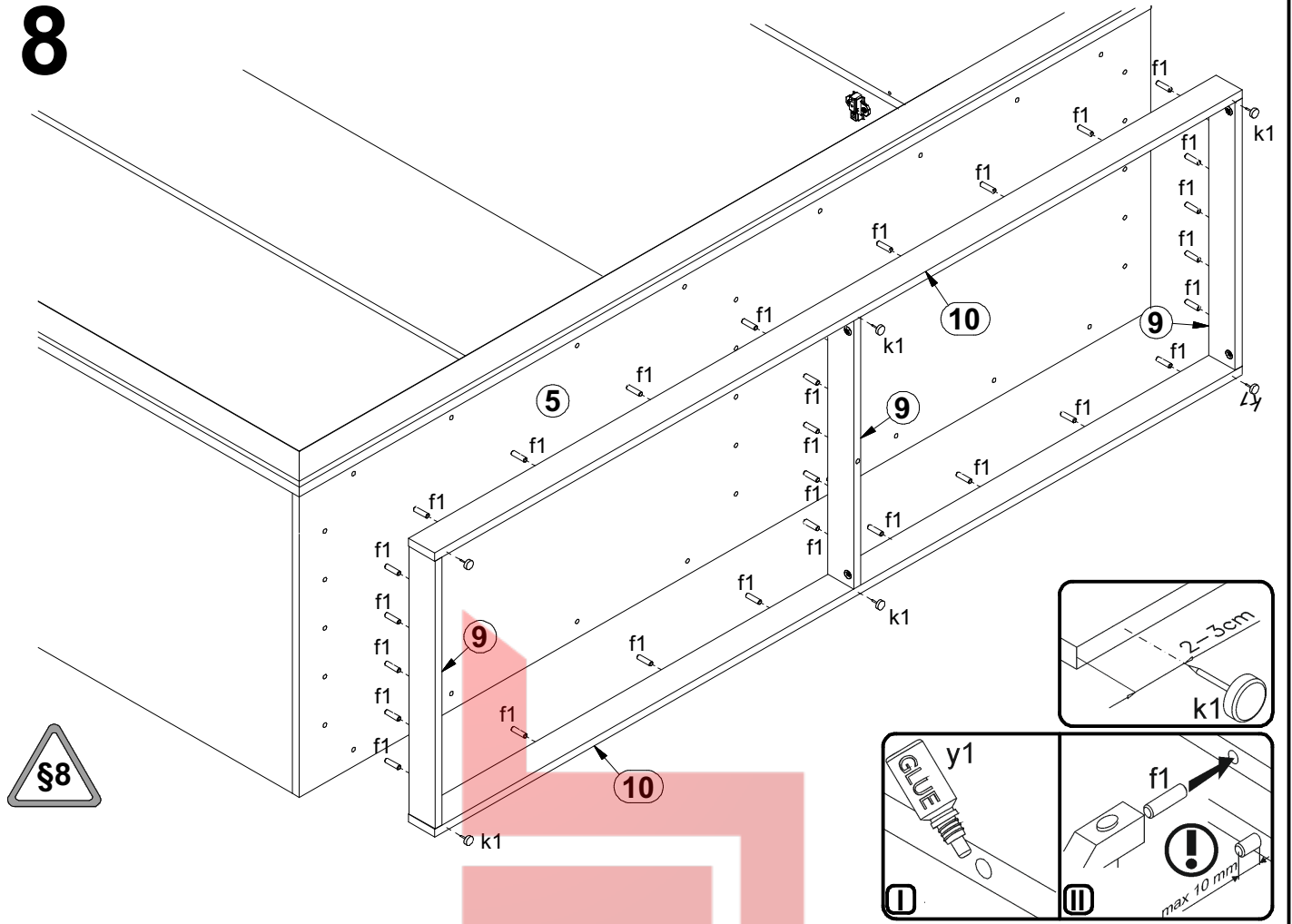
6



7



8



9

