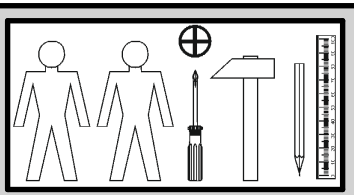
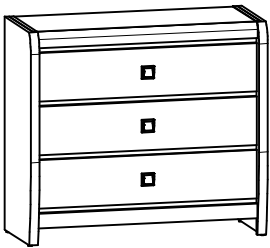
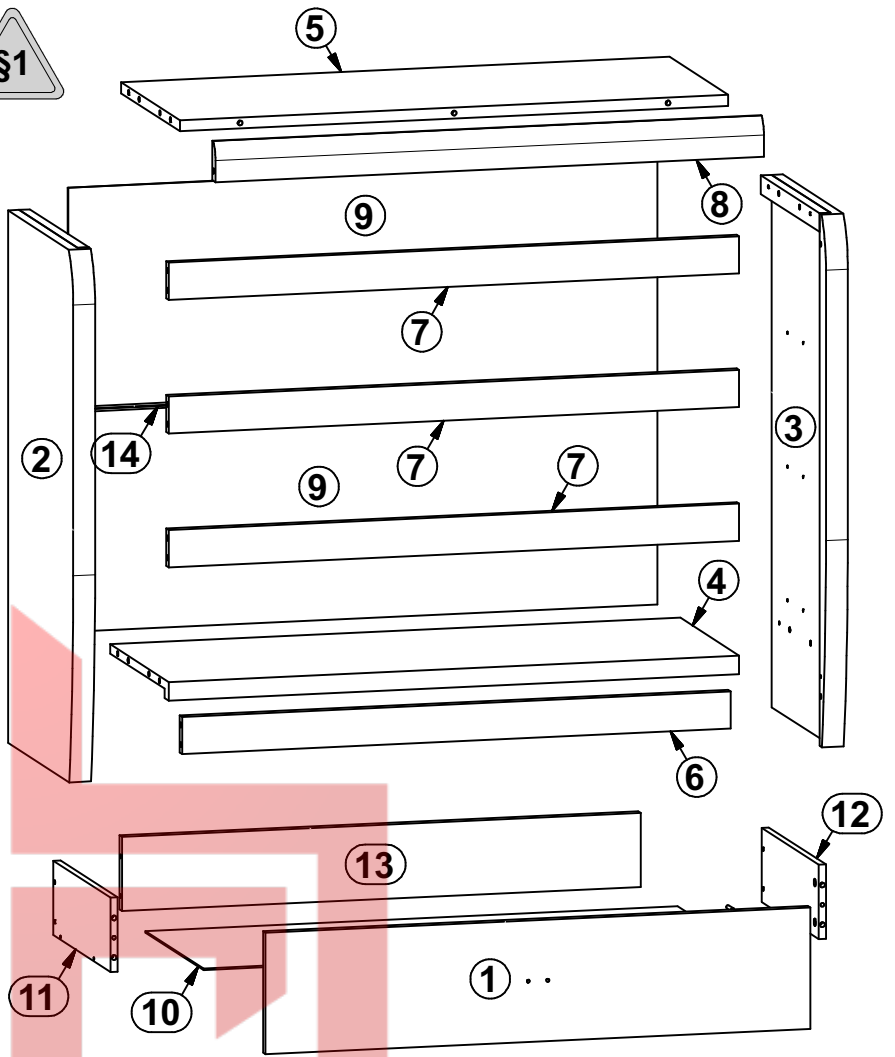
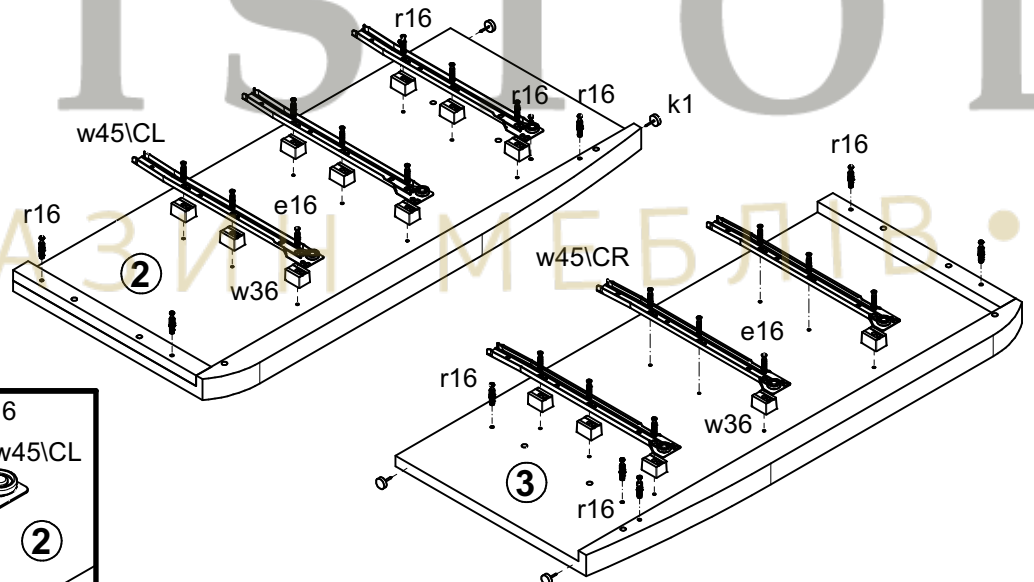
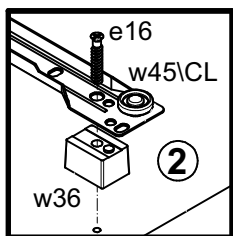
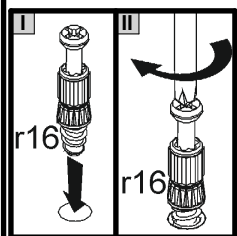
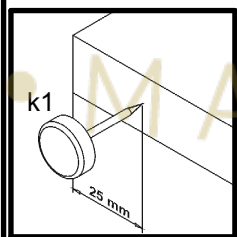


| A  | B          | C   | D   |     |
|----|------------|-----|-----|-----|
| 1  | S163-0003  | 896 | 196 | 2/2 |
| 2  | S163-1105  | 860 | 400 | 1/2 |
| 3  | S163-1106  | 860 | 400 | 1/2 |
| 4  | S163-3301  | 938 | 359 | 1/2 |
| 5  | S163-304   | 902 | 360 | 1/2 |
| 6  | S163-4404  | 902 | 60  | 1/2 |
| 7  | S163-4405  | 938 | 60  | 1/2 |
| 8  | S163-503   | 902 | 64  | 1/2 |
| 9  | S163-91902 | 969 | 717 | 1/2 |
| 10 | S163-9904  | 875 | 355 | 1/2 |
| 11 | ZS4-501    | 350 | 120 | 1/2 |
| 12 | ZS4-502    | 350 | 120 | 1/2 |
| 13 | ZS3-5512   | 853 | 120 | 1/2 |
| 14 | Lh-939     | 939 | 14  | 1/2 |

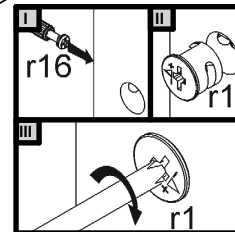
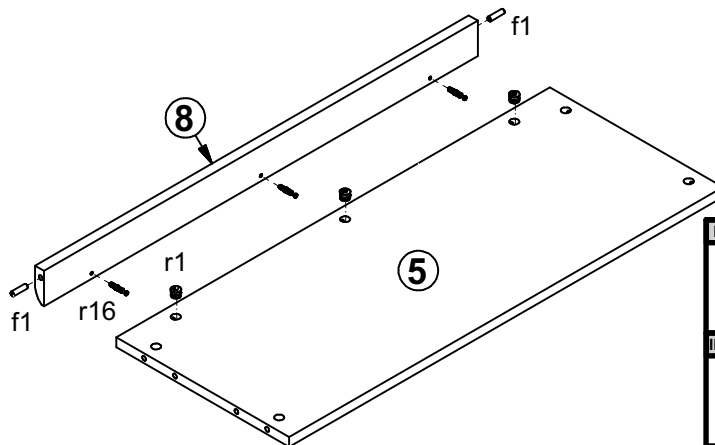
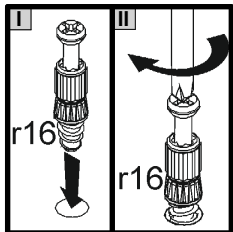
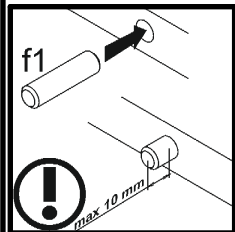


|                         |                         |                          |                              |                                 |                          |                      |                       |                        |
|-------------------------|-------------------------|--------------------------|------------------------------|---------------------------------|--------------------------|----------------------|-----------------------|------------------------|
| 3x<br>c333              | 18x<br>ШБ.х30 mm<br>e16 | 12x<br>ШБ.х9 mm<br>e19   | 24x<br>ШБ.х30 mm<br>f1       | 6x<br>ШБ.х30 mm<br>f9           | 12x<br>ШБ.5x40 mm<br>f25 | 6x<br>M4x20 mm<br>j1 | 4x<br>k1              | 40x<br>l1              |
| 3x<br>ШБ.5x16 mm<br>p25 | 3x<br>ШБ.5x10 mm<br>p35 | 18x<br>ШБ.5x16 mm<br>p38 | 13x<br>Ш11.5x12 mm #16<br>r1 | 12x<br>Ш11.2x10.5 mm #12<br>r15 | 25x<br>r16               | 3x<br>350 mm<br>t35  | 18x<br>H=18 mm<br>w36 | 3x<br>350 mm<br>w45\CL |
| 3x<br>350 mm<br>w45\CR  | 3x<br>350 mm<br>w45\DL  | 3x<br>350 mm<br>w45\DR   | 1x<br>n2611                  | 1x<br>ШБ.5x16 mm<br>p38         |                          |                      |                       |                        |

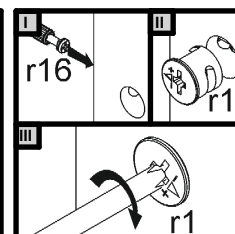
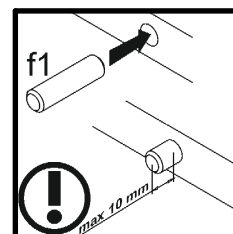
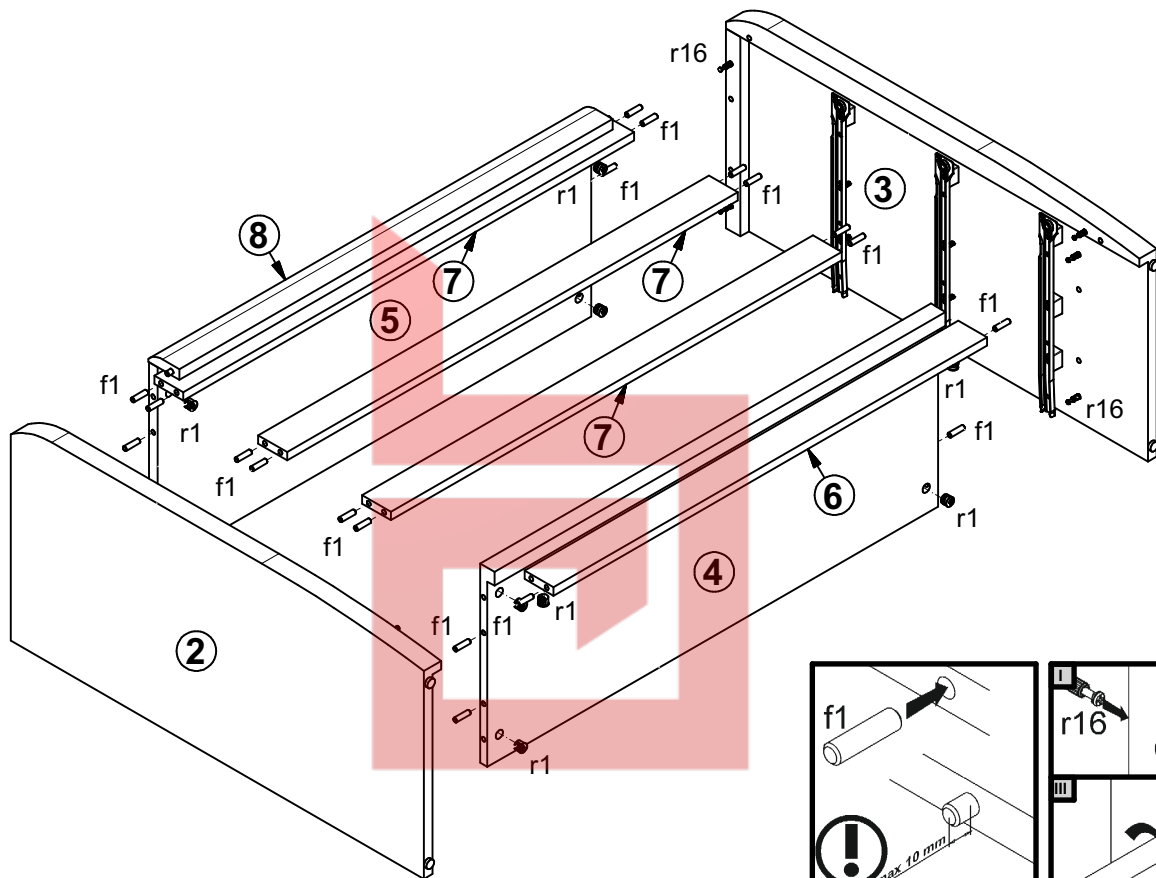
**1** §2



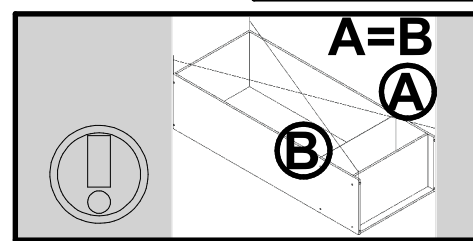
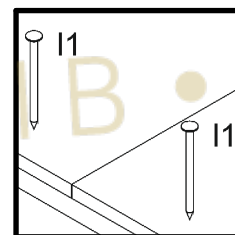
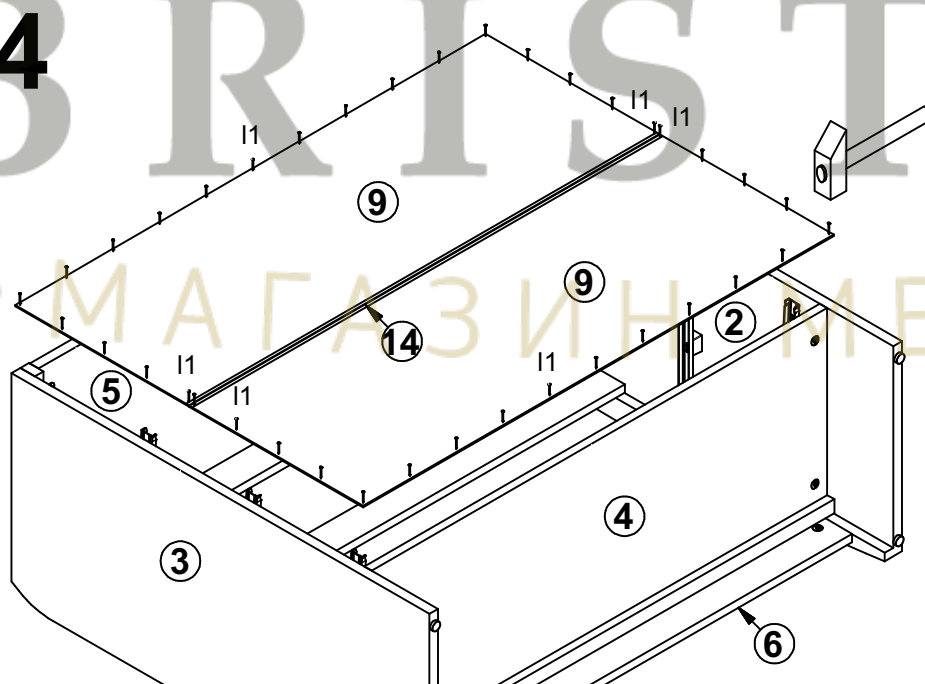
2 



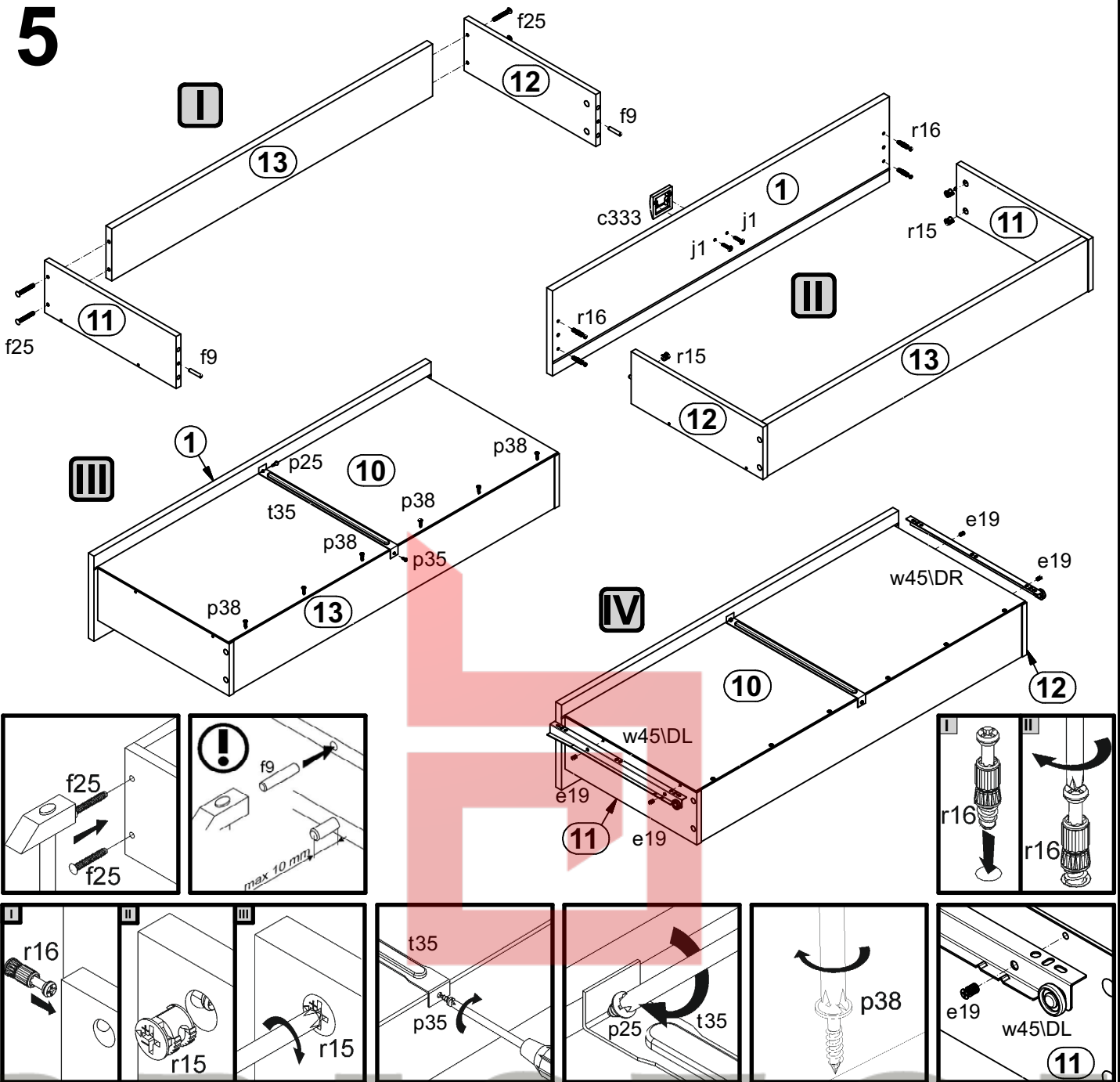
3



4



# 5



# 6

