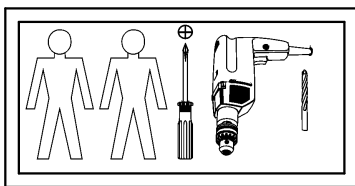
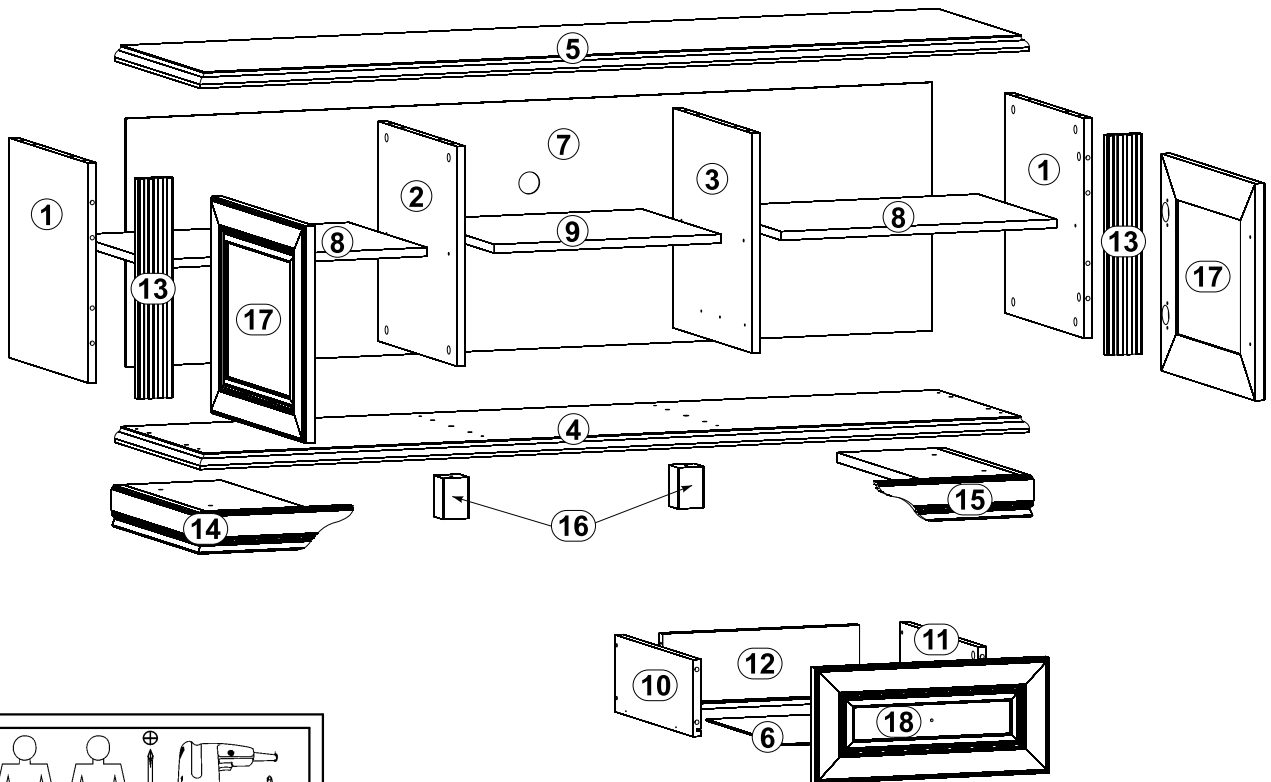
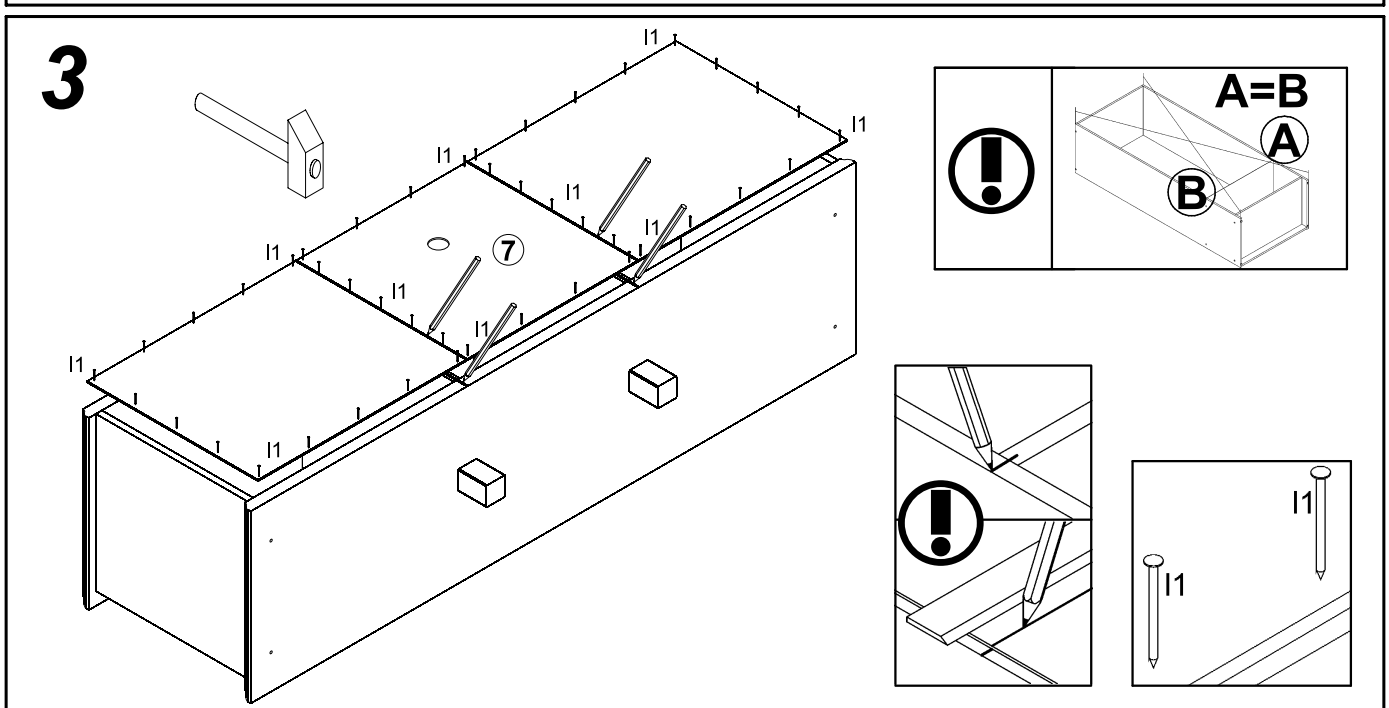
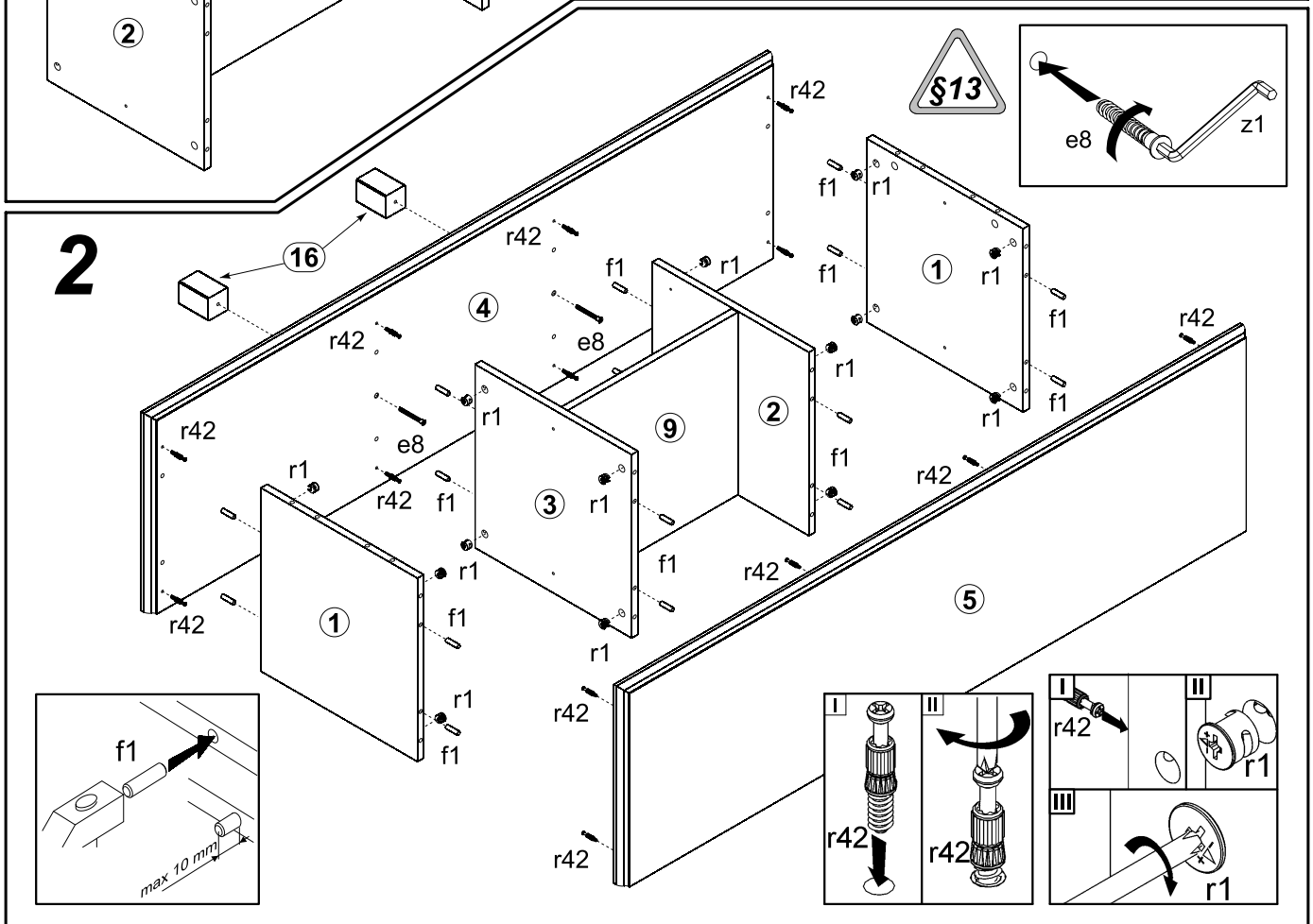
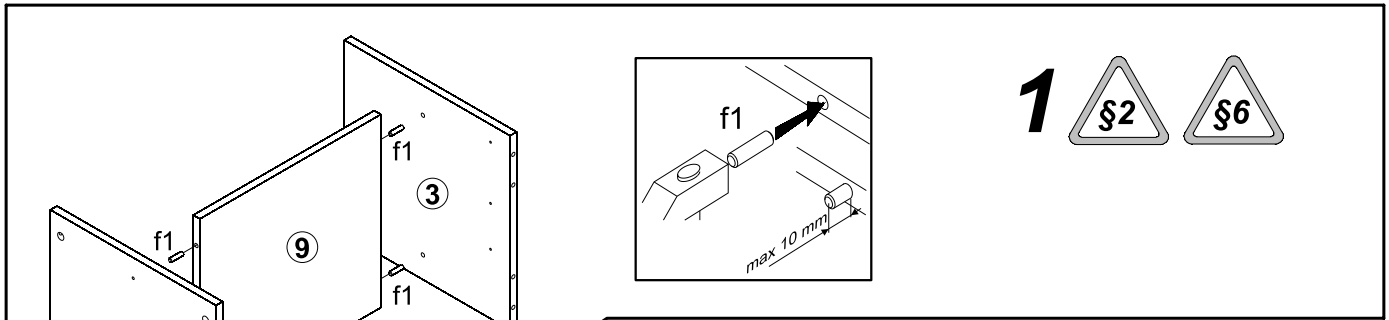


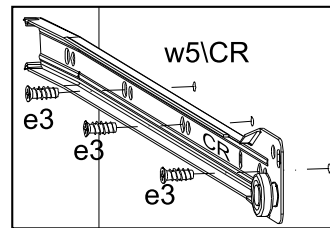
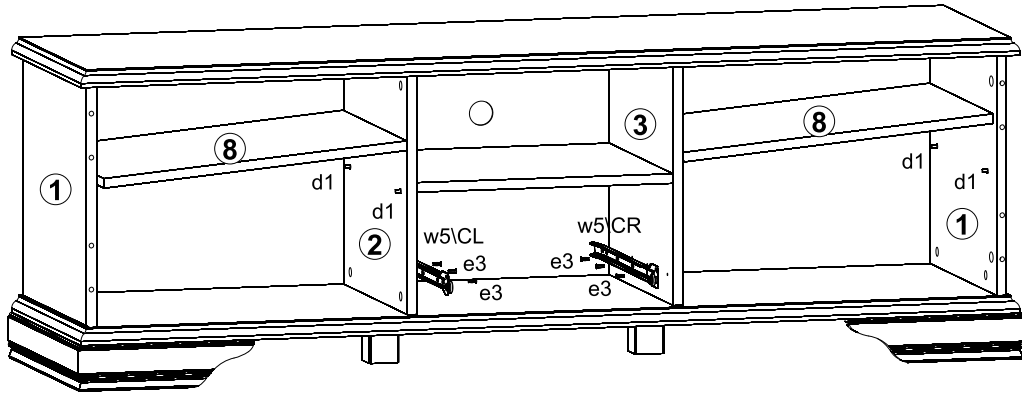
A	B	C	D	A	B	C	D		
1	NT1-107	400	406	1/4	10	NT1-551	400	140	2/4
2	NT1-110	400	406	1/4	11	NT1-552	400	140	2/4
3	NT1-111	400	406	1/4	12	NT1-553	380	140	2/4
4	NT1-209	1600	440	1/4	13	NT1-508	400	68	3/4
5	NT1-210	1600	440	1/4	14	NT1-579	446	350	3/4
6	NT1-903	399	395	1/4	15	NT1-580	446	350	3/4
7	NT1-906	1553	440	1/4	16	NT1-590	80	50	3/4
8	NT1-307	531	404	2/4	17	NT1-003	394	482	4/4
9	NT1-315	437	406	2/4	18	NT1-004	210	542	4/4



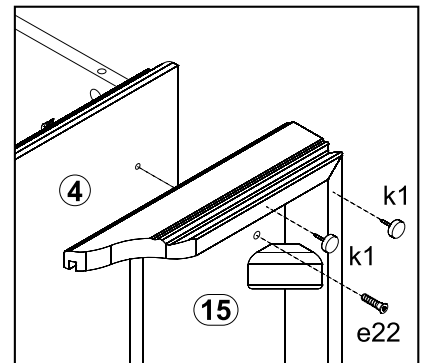
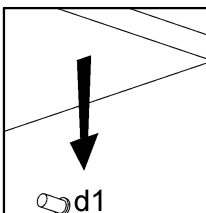
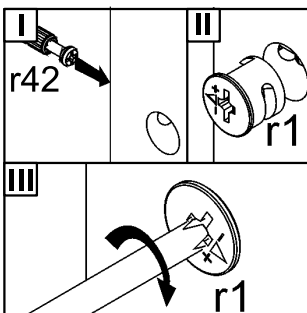
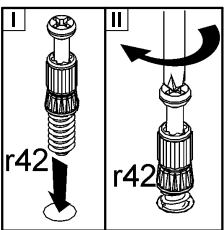
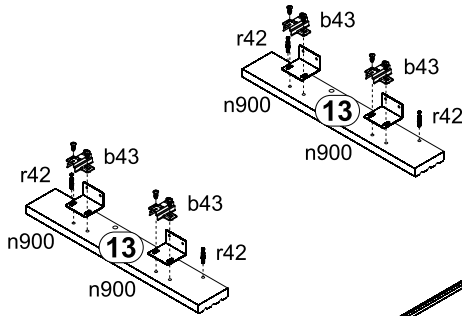
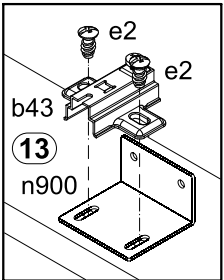
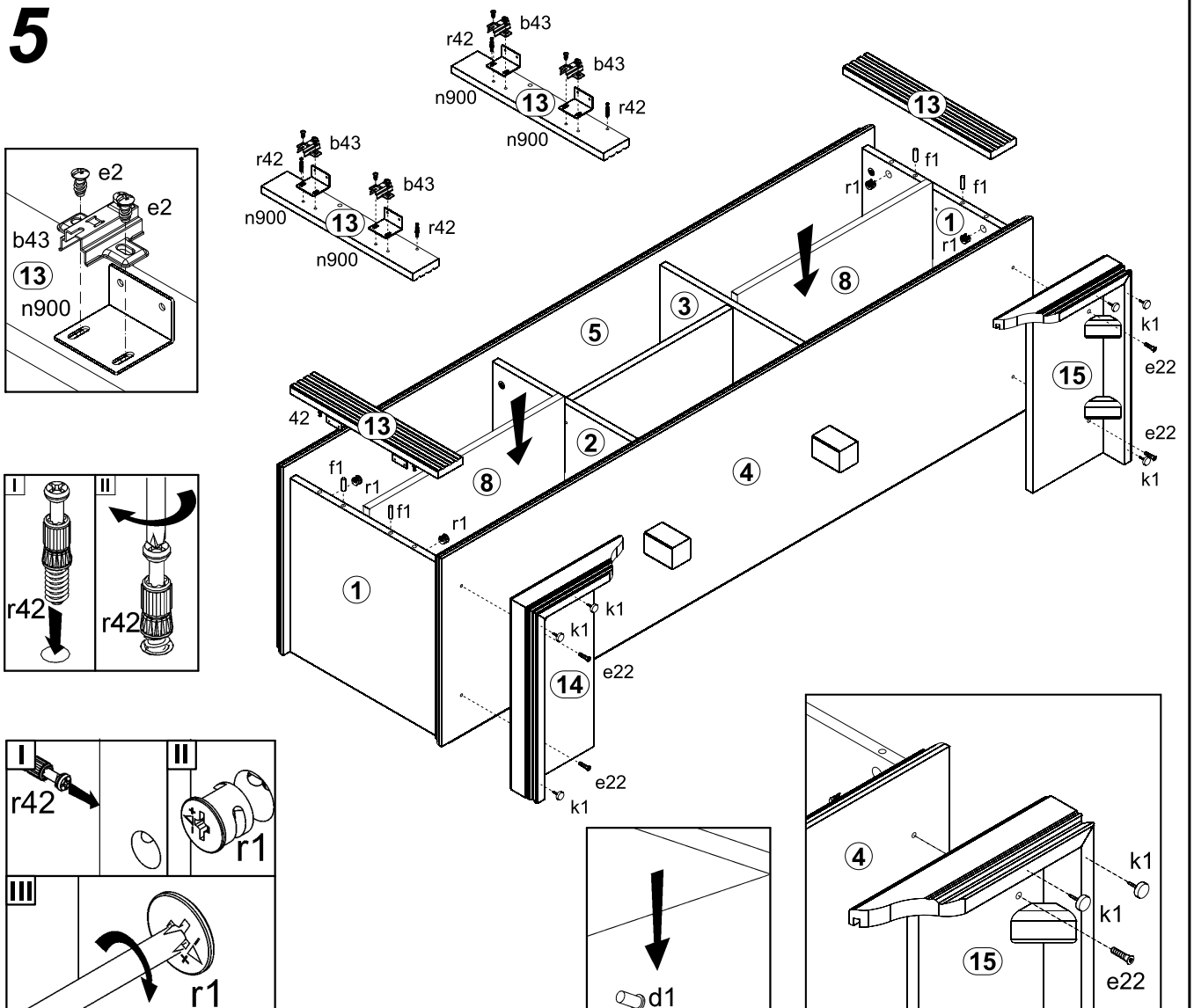
4x a99	4x b43	3x c409	8x $\phi 5 \times 17$ mm d1	8x $\phi 6,3 \times 13$ mm e2	6x $\phi 6 \times 13$ mm e3	2x $\phi 7 \times 60$ mm e8	4x $\phi 7 \times 28$ mm e22	4x $\phi 5 \times 50$ mm e32
6x k1	55x l1	24x $\phi 8 \times 30$ mm f1	1x M4x20 mm j1	2x M4x30 mm j6	4x 42x22 mm n900	8x $\phi 3,5 \times 13$ mm p5	8x $\phi 3,5 \times 15$ mm p51	4x $\phi 3 \times 12$ mm p54
24x $\phi 15 \times 12$ mm #16 r1	24x 20/11 r42	24x $\phi 16$ s2	1x 400 mm w5ICL	1x 400 mm w5ICR	1x 400 mm w5IDL	1x 400 mm w5IDR	1x z1	



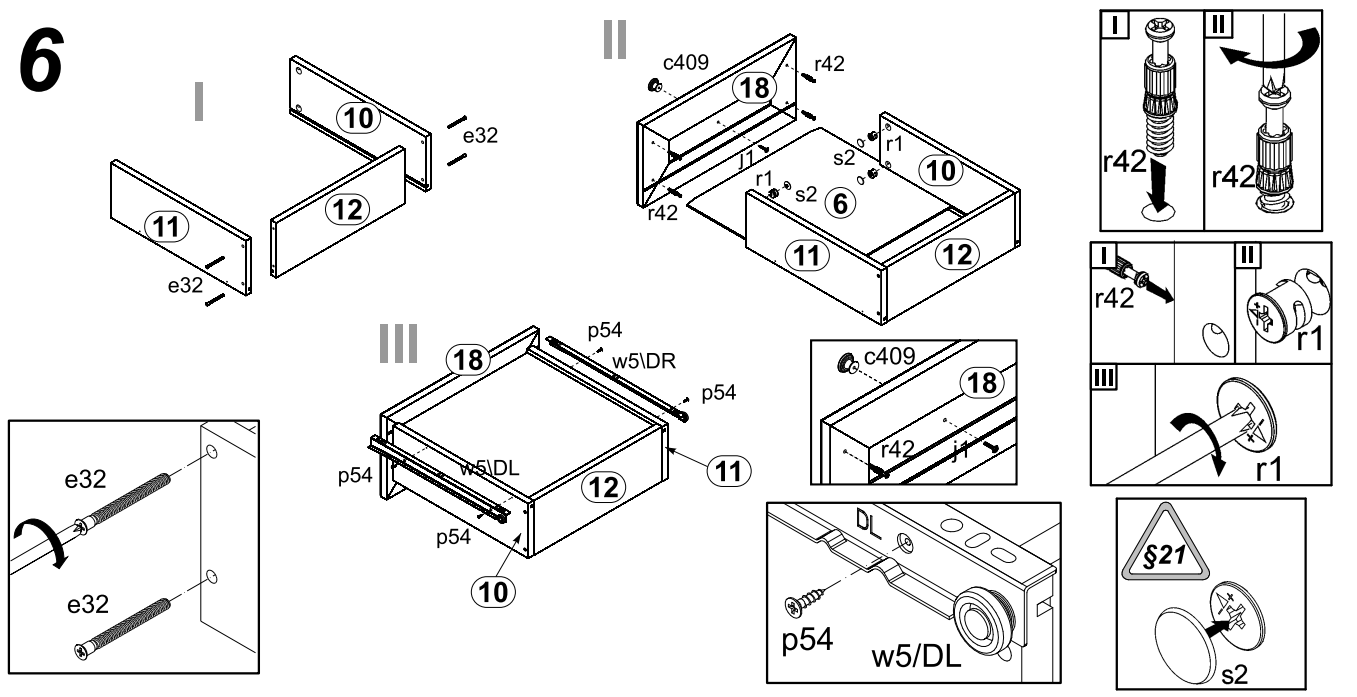
4



5



6



7

