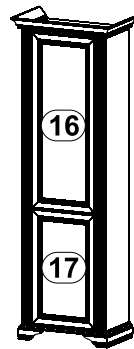
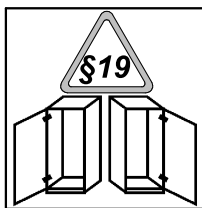
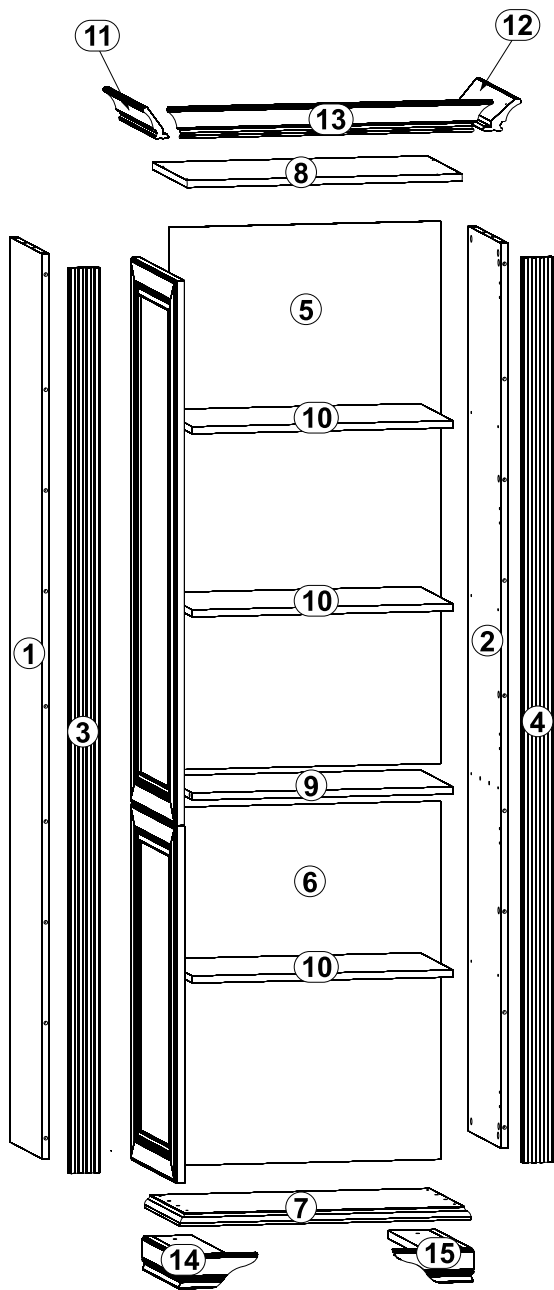
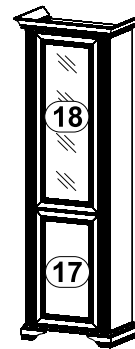


# НАЙТ

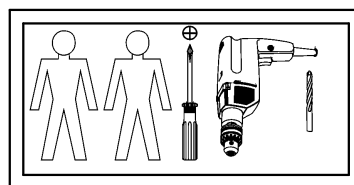
## Пенал\_2D; Вітрина/Витрина 1D1W



Пенал\_2D



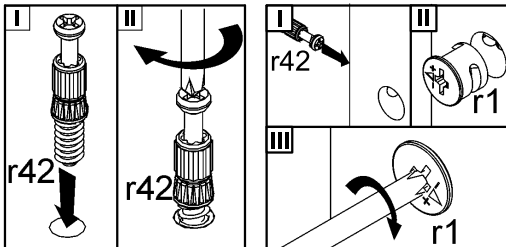
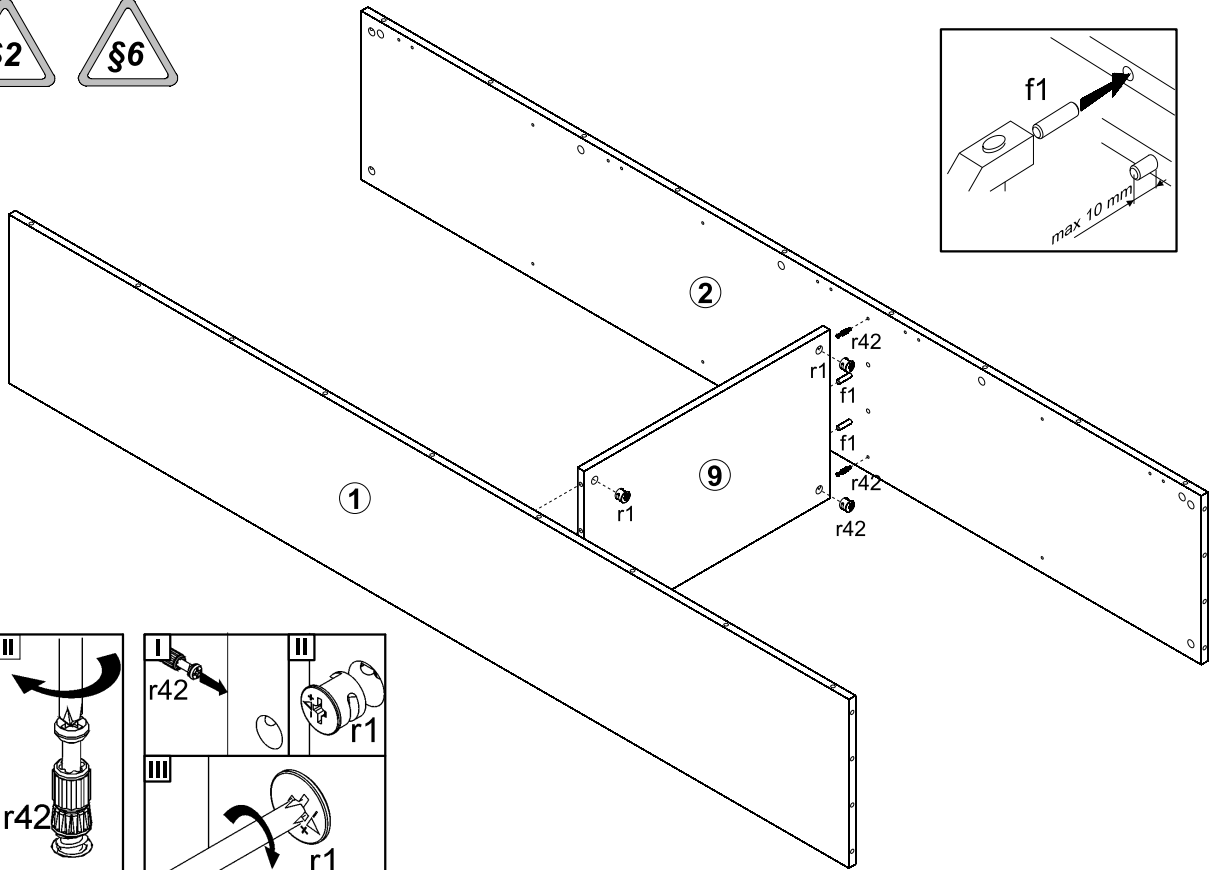
Вітрина/Витрина 1D1W



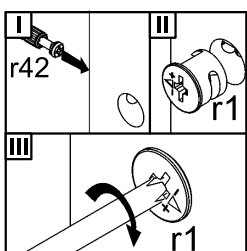
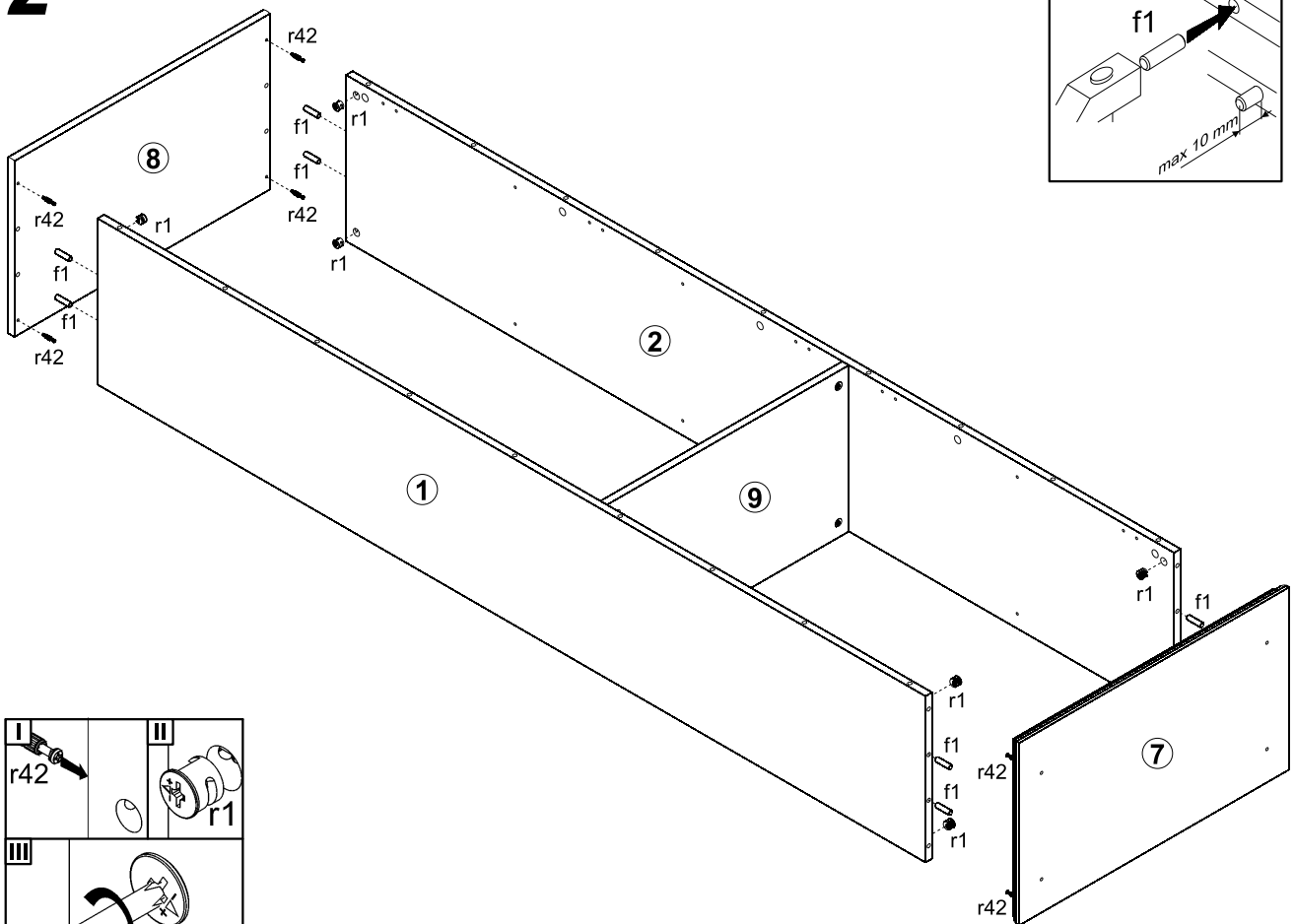
			Пенал 2D	Вітрина/Витрина 1D1W	
A	B	C	D	D	
1	NT1-112	2012	354	1/6	1/7
2	NT1-113	2012	354	1/6	1/7
3	NT1-509	2012	68	1/6	1/7
4	NT1-510	2012	68	1/6	1/7
5	NT1-907	1224	631	3/6	3/7
6	NT1-917	821	631	3/6	3/7
7	NT1-211	677	388	2/6	2/7
8	NT1-212	643	376	2/6	2/7
9	NT1-309	609	354	2/6	2/7
10	NT1-310	609	344	2/6	2/7
11	NT1-511	427	102	4/6	4/7
12	NT1-512	427	102	4/6	4/7
13	NT1-513	757	102	4/6	4/7
14	NT1-571	394	180	5/6	5/7
15	NT1-572	394	180	5/6	5/7
16	NT1-005	1211	500	6/6	
17	NT1-006	792	500	6/6	6/7
18	NT1-007	1211	500		7/7

5x  a99	5x  b43	2x  c409	12x  φ5x17 mm d1	10x  φ6.3x13 mm e2	4x  Ø7x28mm e22	20x  φ8x30 mm f1	2x  M4x30 mm j6	6x  k1
60x  l1	1x  n26'	2x  n40	5x  42x22 mm n900	10x  φ3.5x13 mm p5	4x  Ø3x7 mm p46	1x  φ3.5x16 mm p38	7x  Ø4x20 mm p39	10x  φ3.5x15 mm p51
22x  φ15x12mm #16 r1	22x  20/11 r42	18x  Ø16 s2	1x  z1					

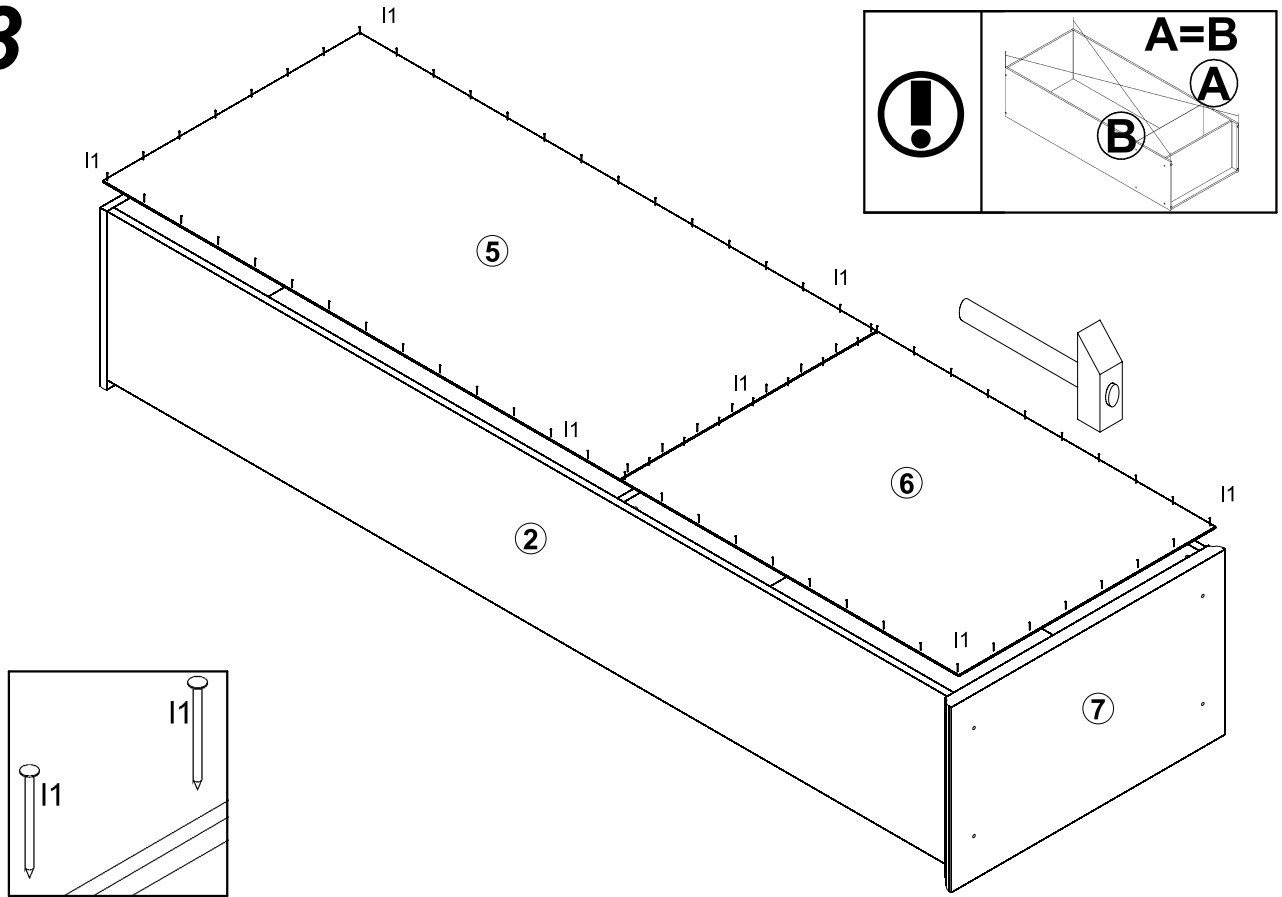
# 1



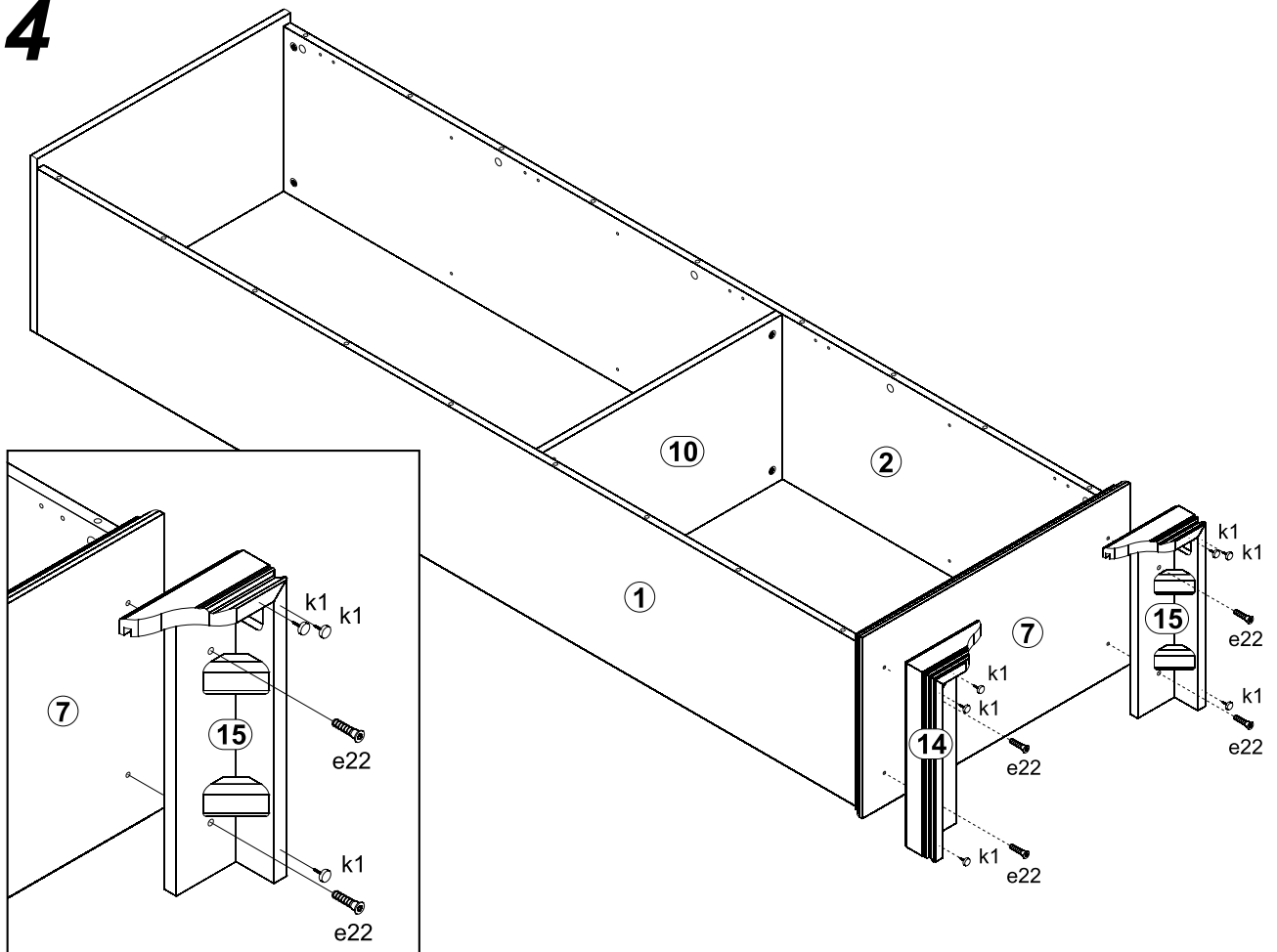
# 2



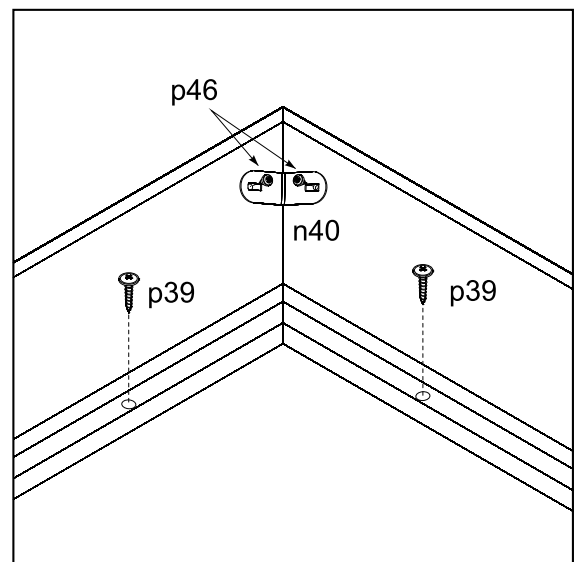
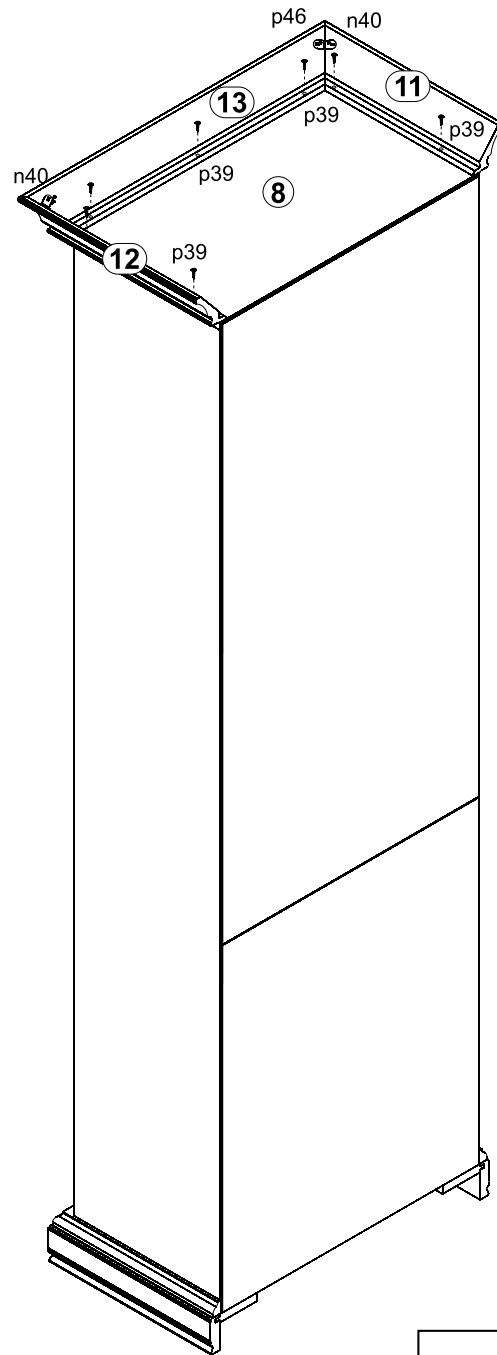
# 3



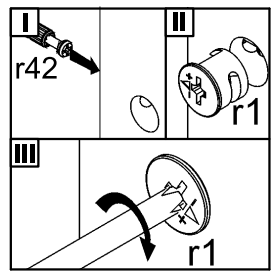
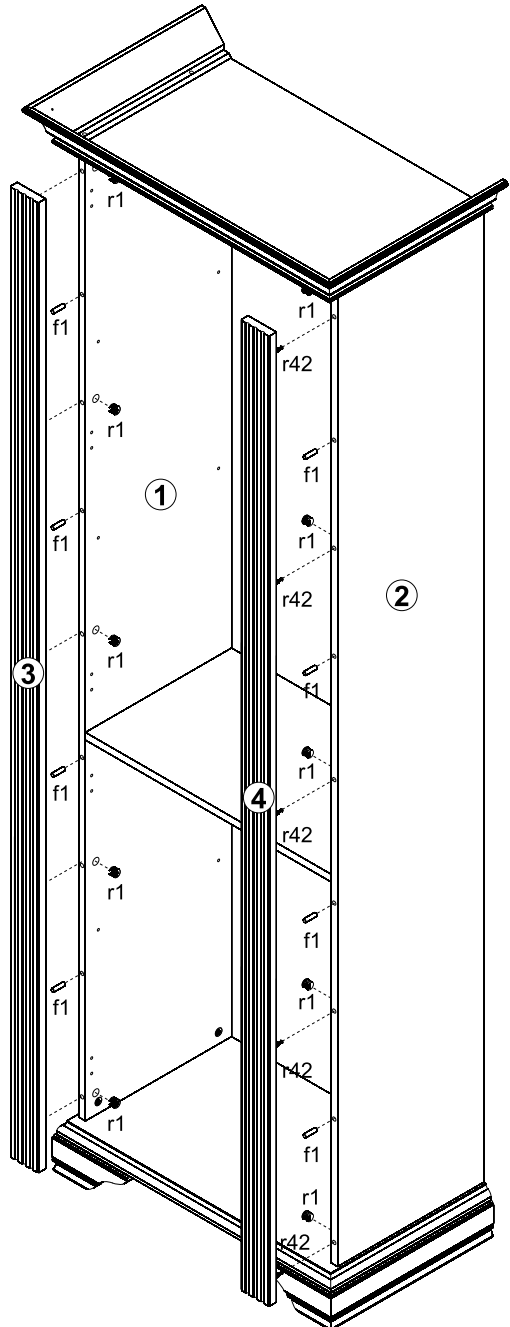
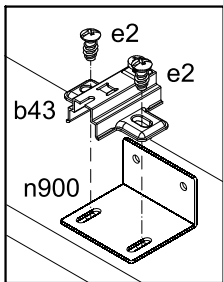
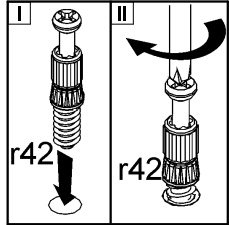
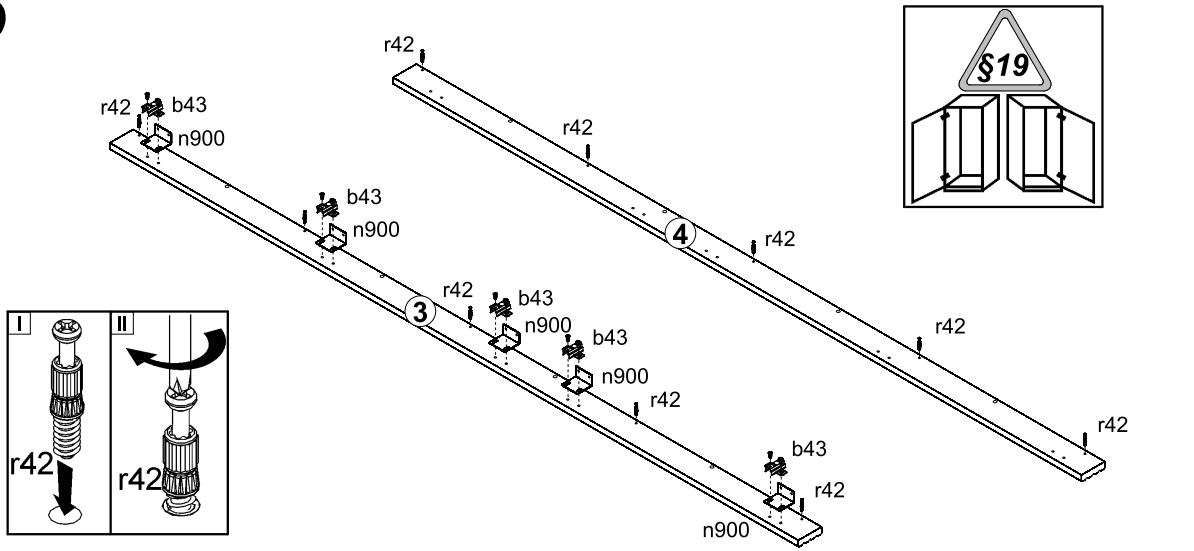
# 4



# 5



# 6



# 7

