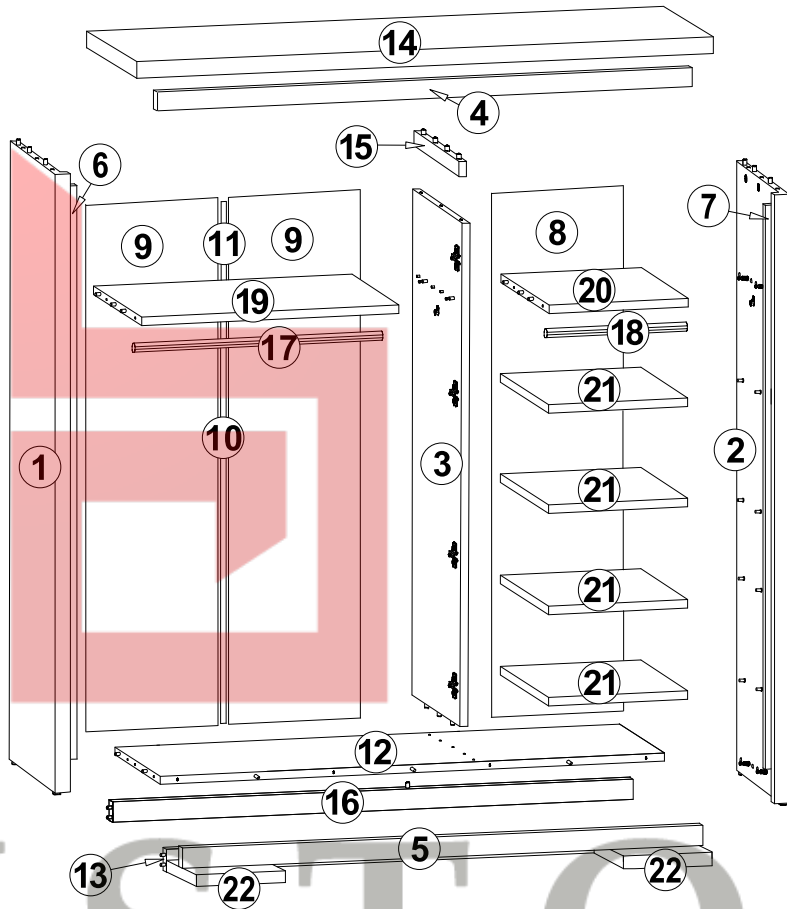
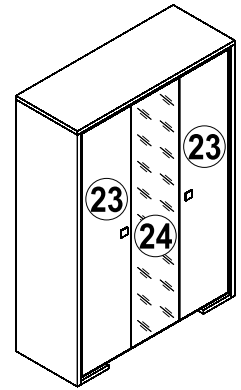
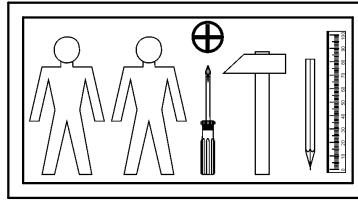
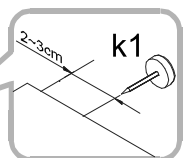
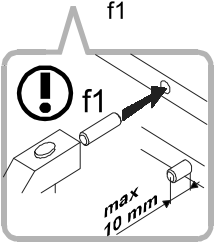
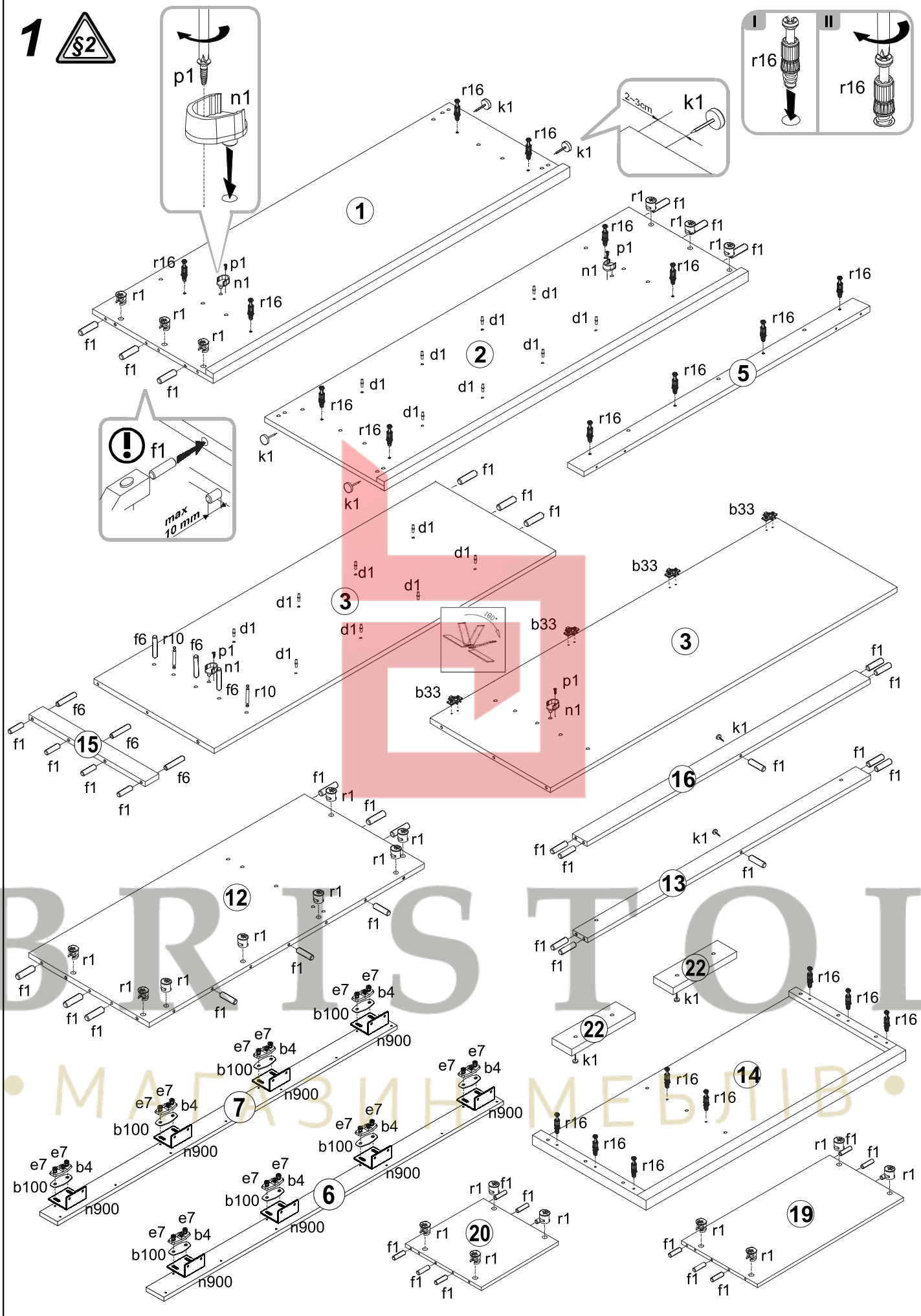
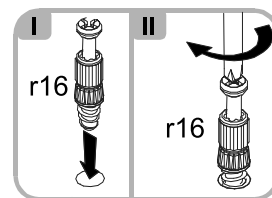


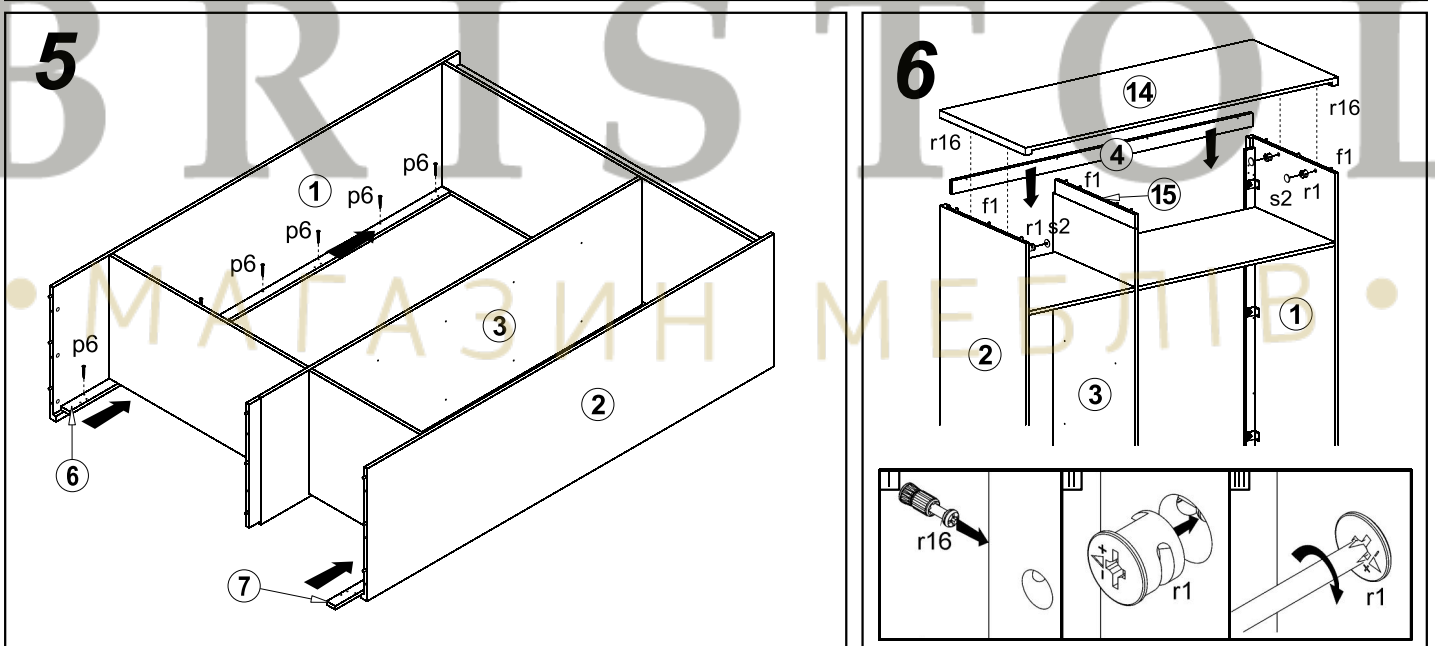
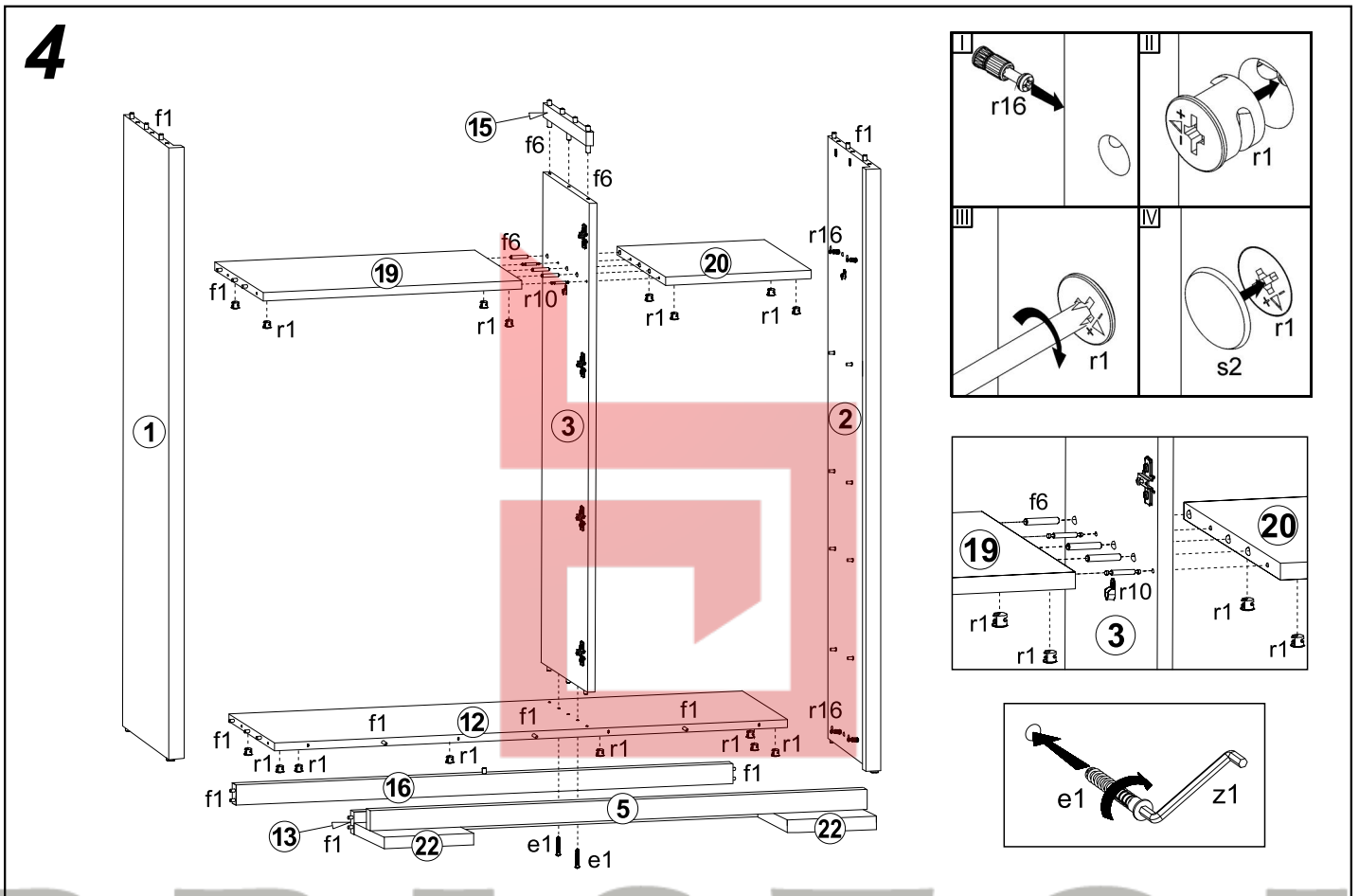
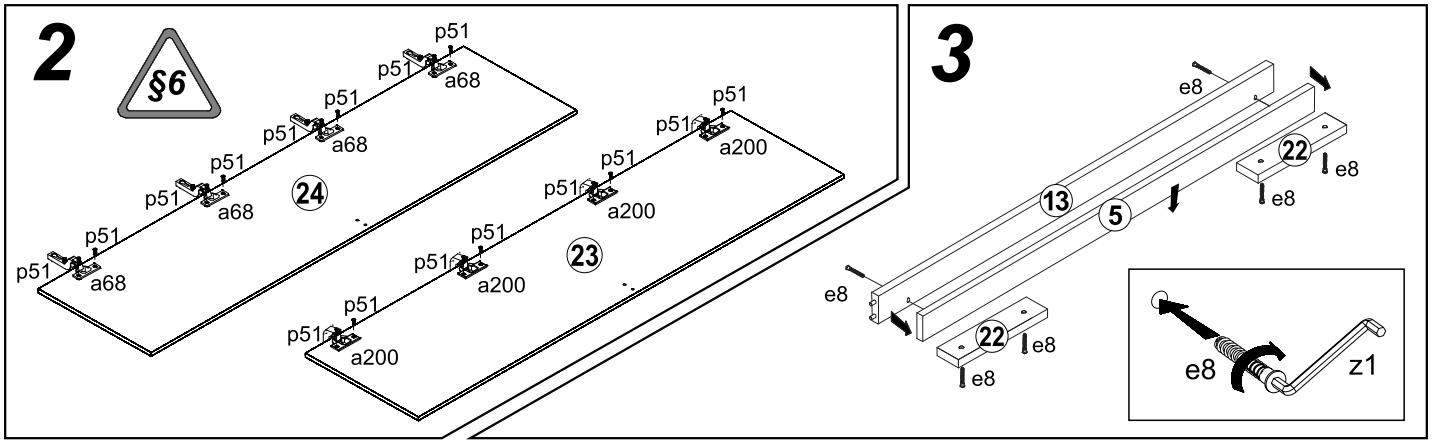
A	B	C		D
1	NK1-101	2112	595	1/4
2	NK1-102	2112	595	1/4
3	NK1-152	1976	570	2/4
4	NK1-461	1465	57	1/4
5	NK1-462	1493	60	1/4
6	NK1-406	1975	45	1/4
7	NK1-407	1975	45	1/4
8	NK1-922	2063	524	1/4
9	NK1-901	2063	497	1/4
10	LH-1711	1711	14	1/4
11	LH-307	307	14	1/4
12	NK1-321	1493	554	2/4
13	NK1-463	1493	76	2/4
14	NK1-214	1526	596	2/4
15	NK1-401	60	554	2/4
16	NK1-464	1493	76	2/4
17	DR-969	969	26	2/4
18	DR-497	497	26	2/4
19	NK1-302	975	553	3/4
20	NK1-322	502	553	3/4
21	NK1-323	502	520	3/4
22	NK1-501	270	65	3/4
23	NK1-001	2036	471	4/4
24	NK1-027	2036	471	4/4



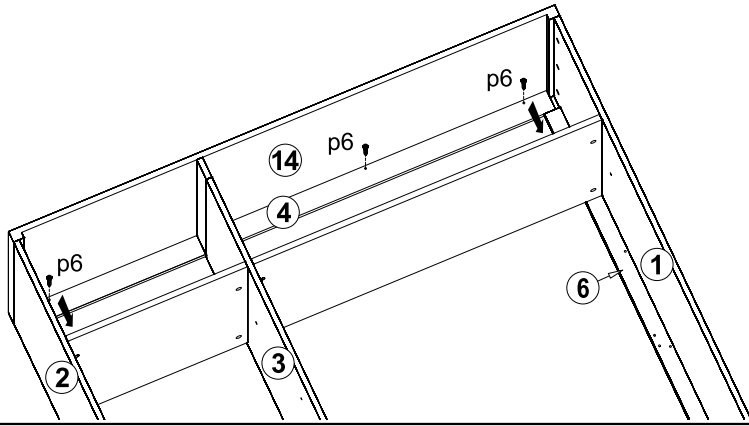
4x  <b>a68</b>	8x  <b>a200</b>	8x  <b>b4</b>	4x  <b>b33</b>	8x  <b>b100</b>	2x  <b>c212</b>	16x  <b>d1</b>
2x  <b>e1</b>	16x  <b>e7</b>	6x  <b>e8</b>	38x  <b>f1</b>	6x  <b>f6</b>	4x  <b>j8</b>	8x  <b>k1</b>
130x  <b>l1</b>	4x  <b>n1</b>	8x  <b>n900</b>	4x  <b>p1</b>	16x  <b>p5</b>	18x  <b>p6</b>	24x  <b>p51</b>
22x  <b>r1</b>	2x  <b>r10</b>	18x  <b>r16</b>	16x  <b>s2</b>	1x  <b>z1</b>		

1

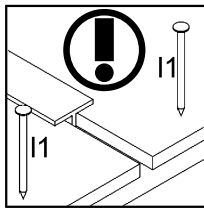
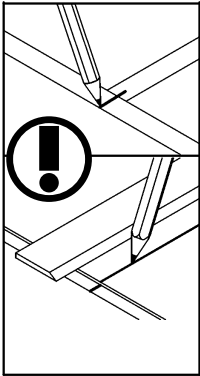
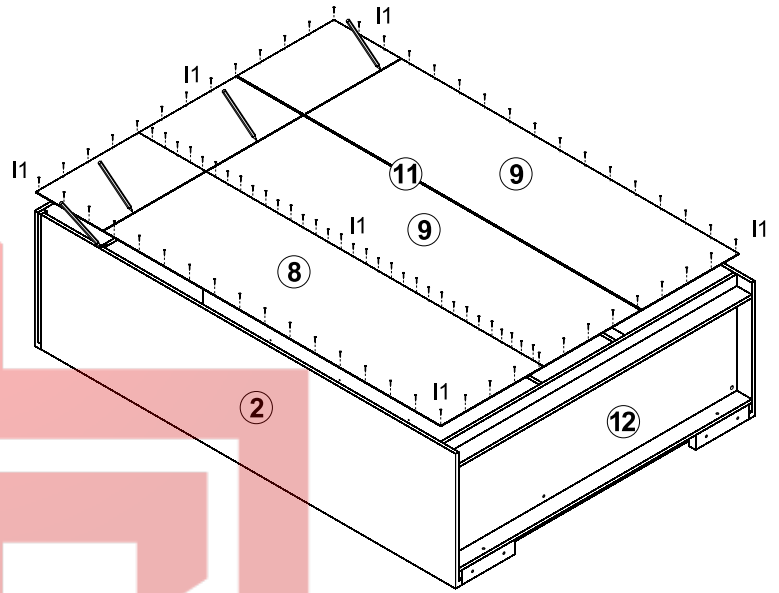
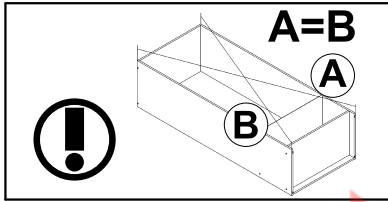




7



8



9

