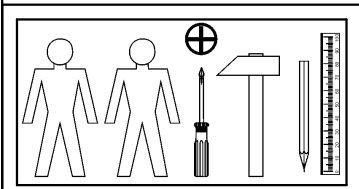
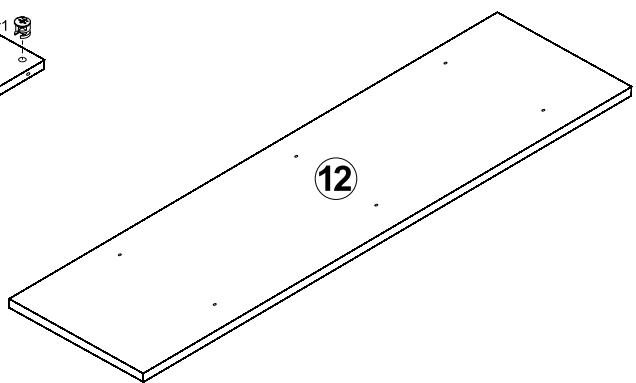
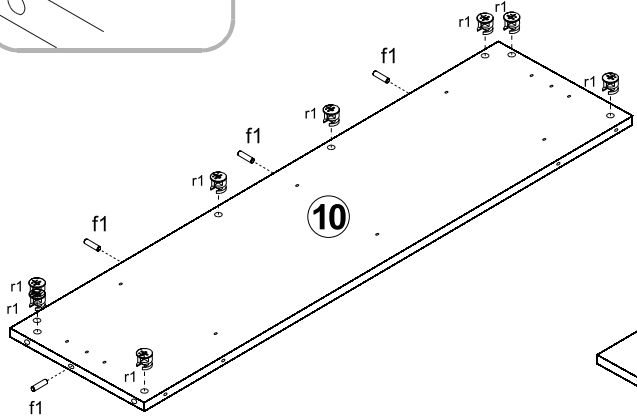
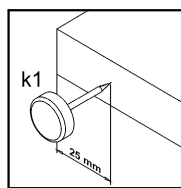
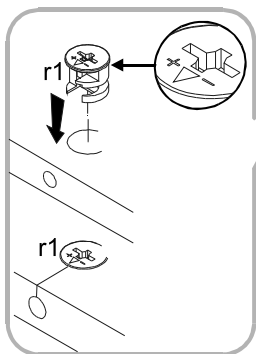
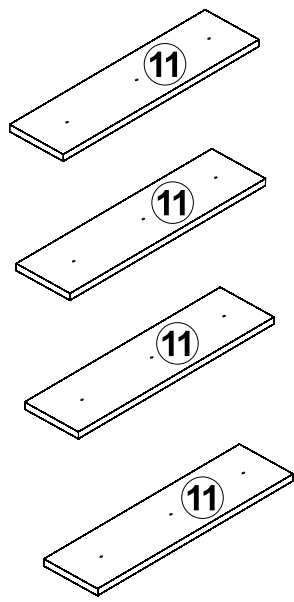
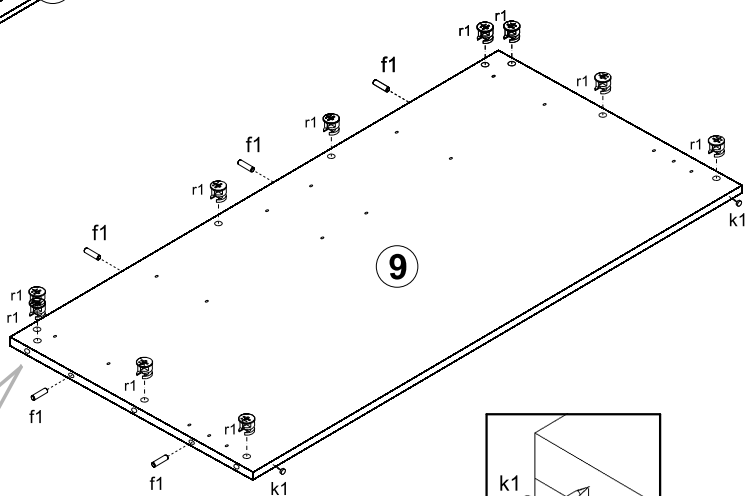
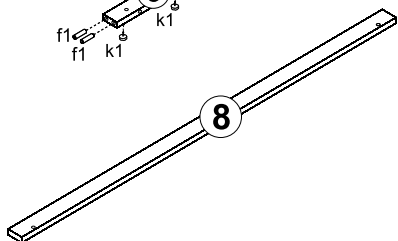
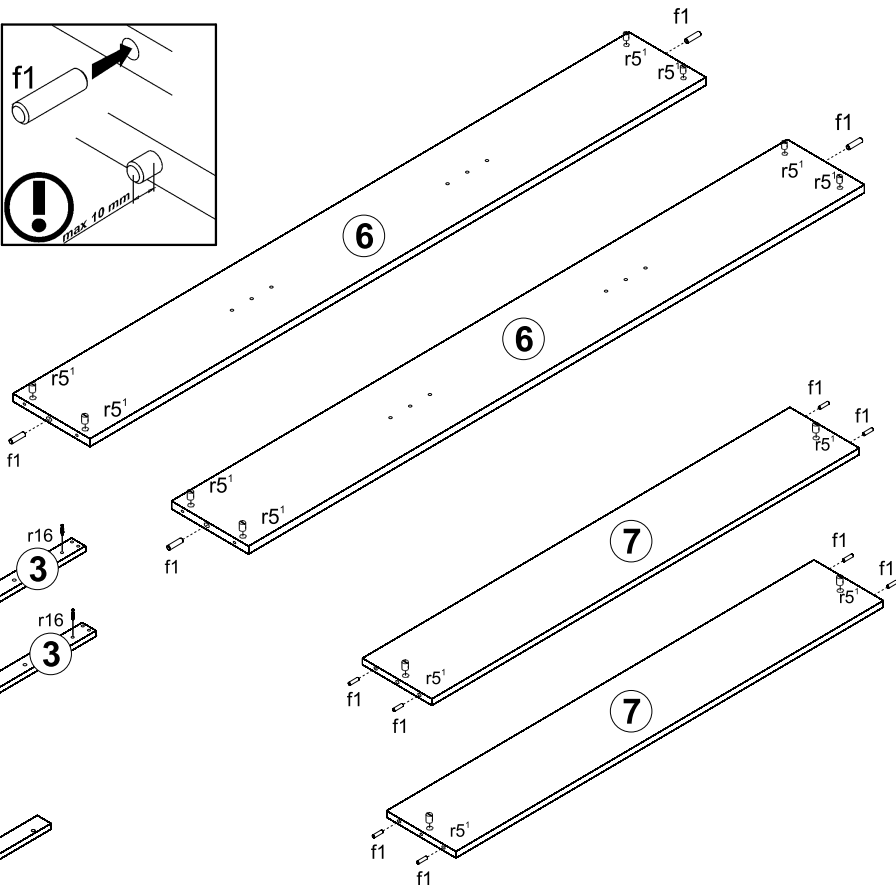
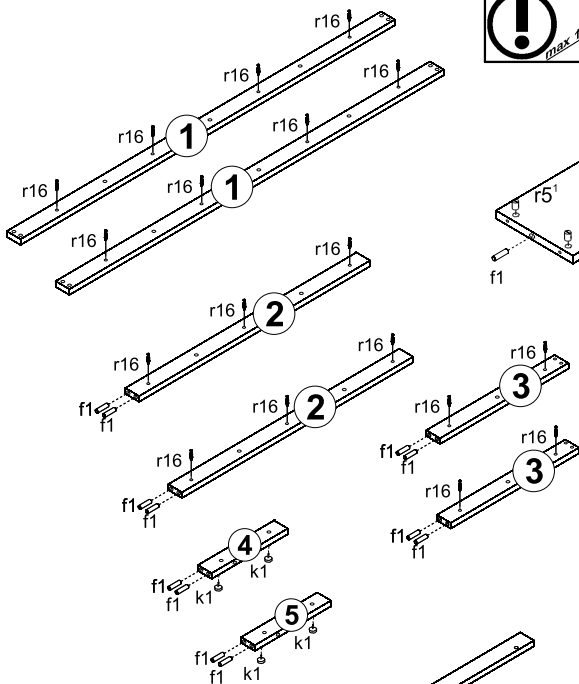
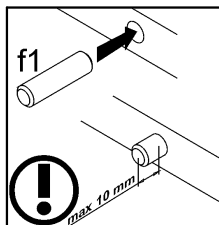


A	B	C	D	
1	NK-413	1760	67	1/2
2	NK-112	907	66	1/2
3	NK-113	472	66	1/2
4	NK-509	270	65	1/2
5	NK-508	270	65	1/2
6	NK-114	2000	250	1/2
7	NK-115	1603	200	1/2
8	NK-414	1443	60	1/2
9	NK-004	907	1703	2/2
10	NK-005	444	1703	2/2
11	NK-006	824	192	2/2
12	NK-007	1658	400	2/2

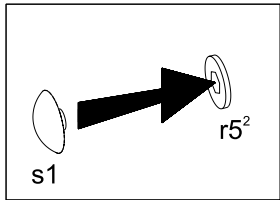
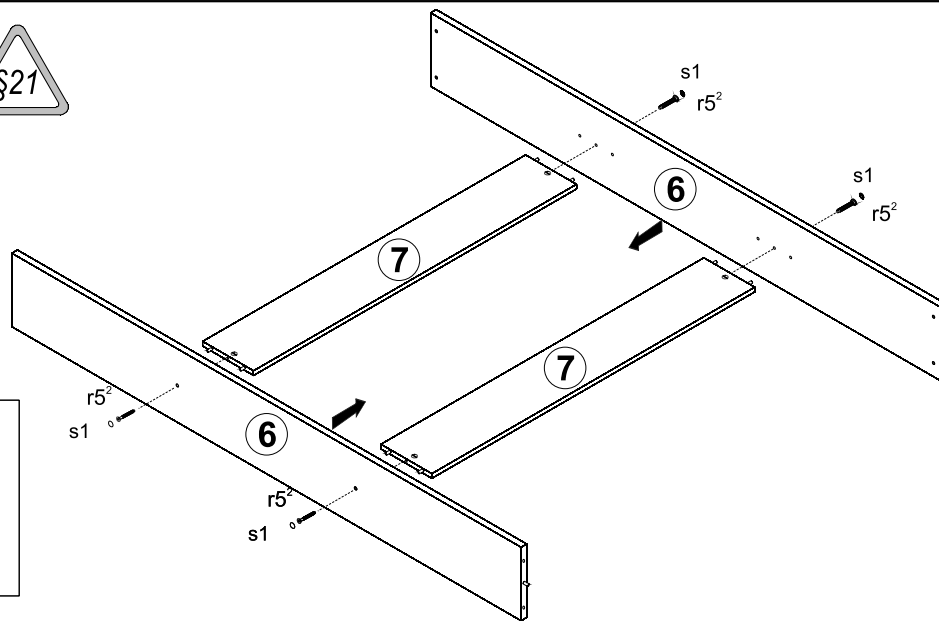


6x  φ7x60 mm <b>e8</b>	18x  φ7x28 mm <b>e22</b>	36x  φ8x30 mm <b>f1</b>	12x  φ10x13 mm <b>r5<sup>1</sup></b>	12x  M6x50 mm <b>r5<sup>2</sup></b>	7x 
8x 	18x  φ15x12mm #16 <b>r1</b>	18x  20/9 <b>r16</b>	12x  φ16 <b>s2</b>	1x 	

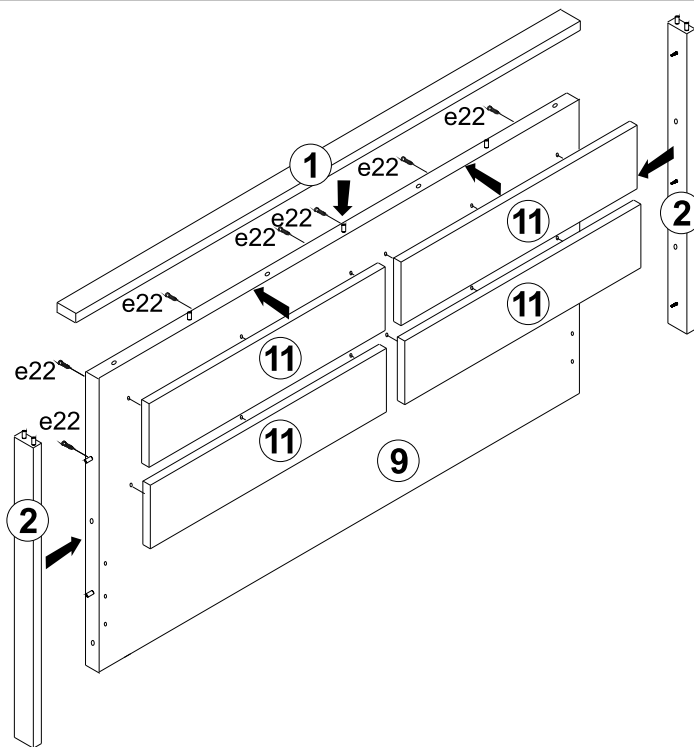
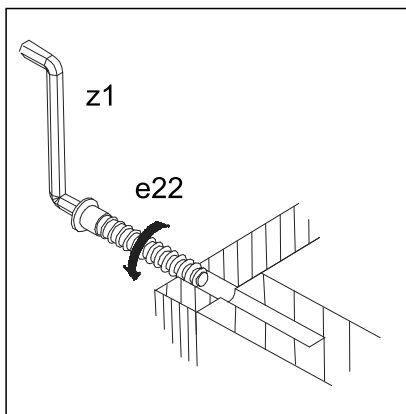
1 



# 2



# 3



# 4

