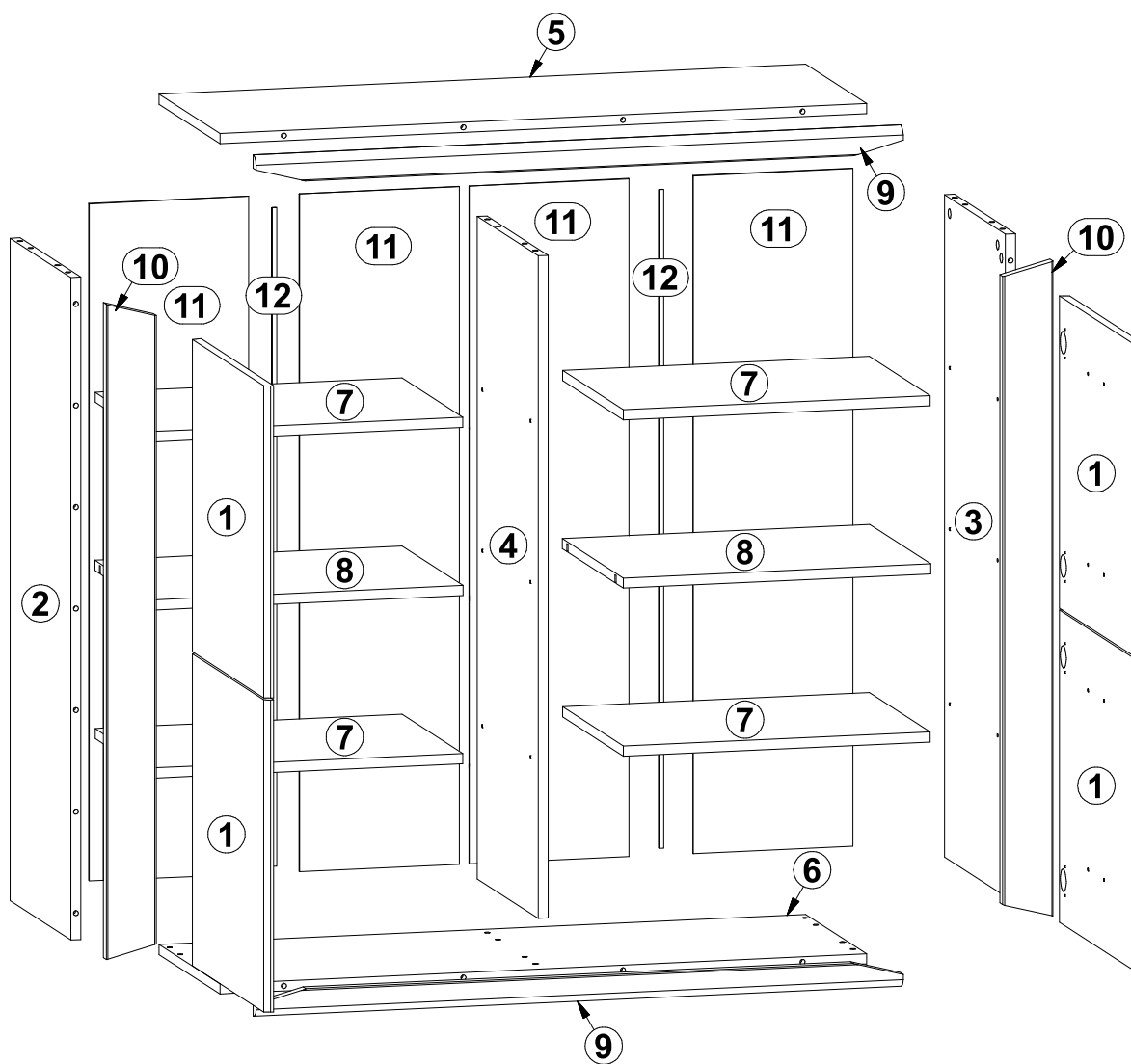
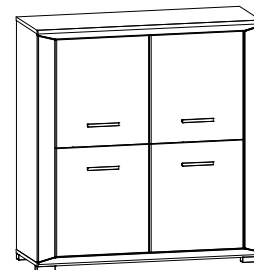
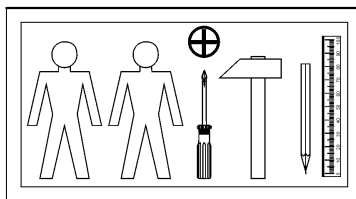


# ПАЛЕМО

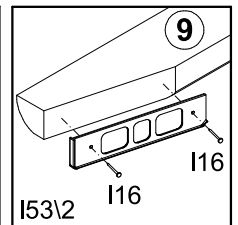
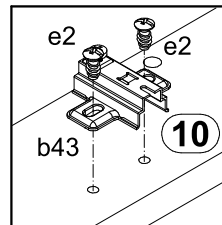
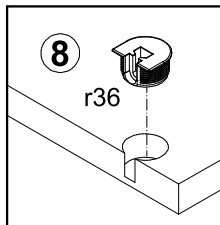
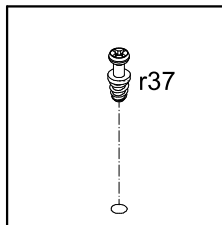
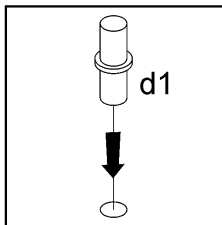
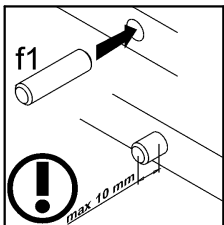
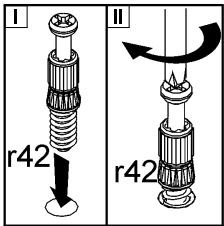
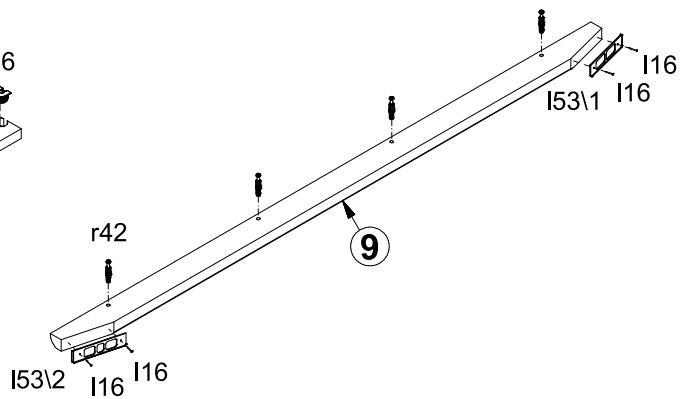
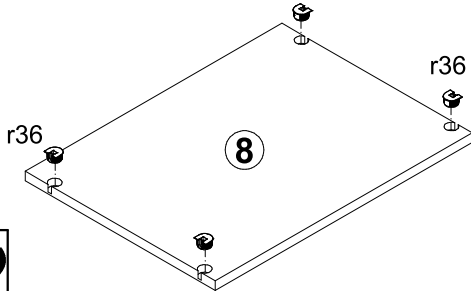
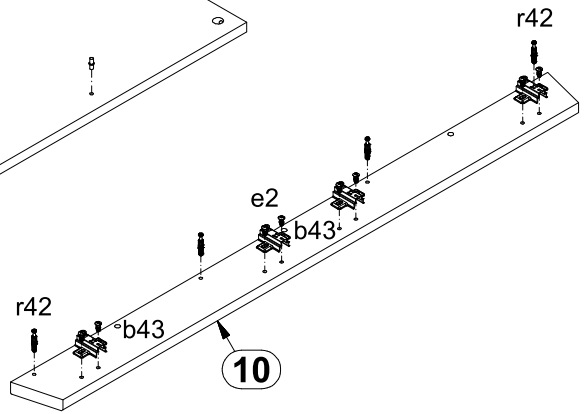
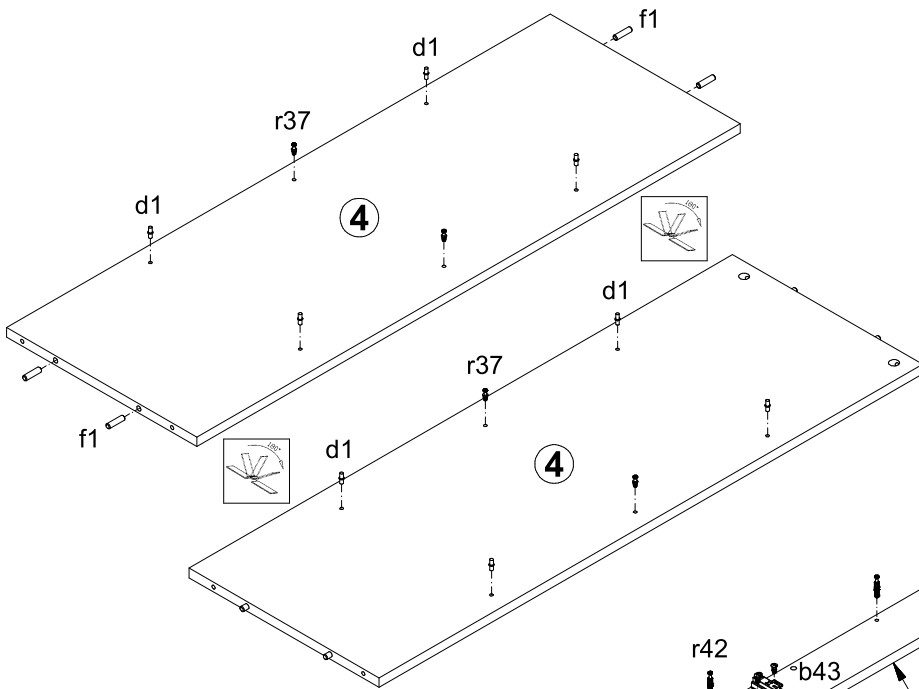
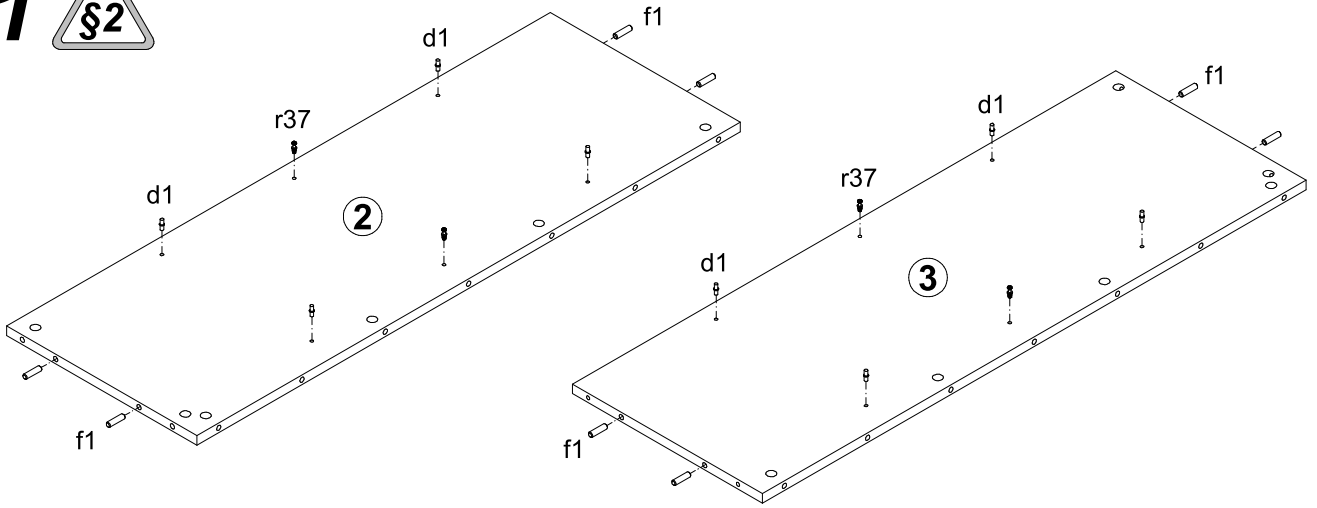
Тумба\_KOM4D

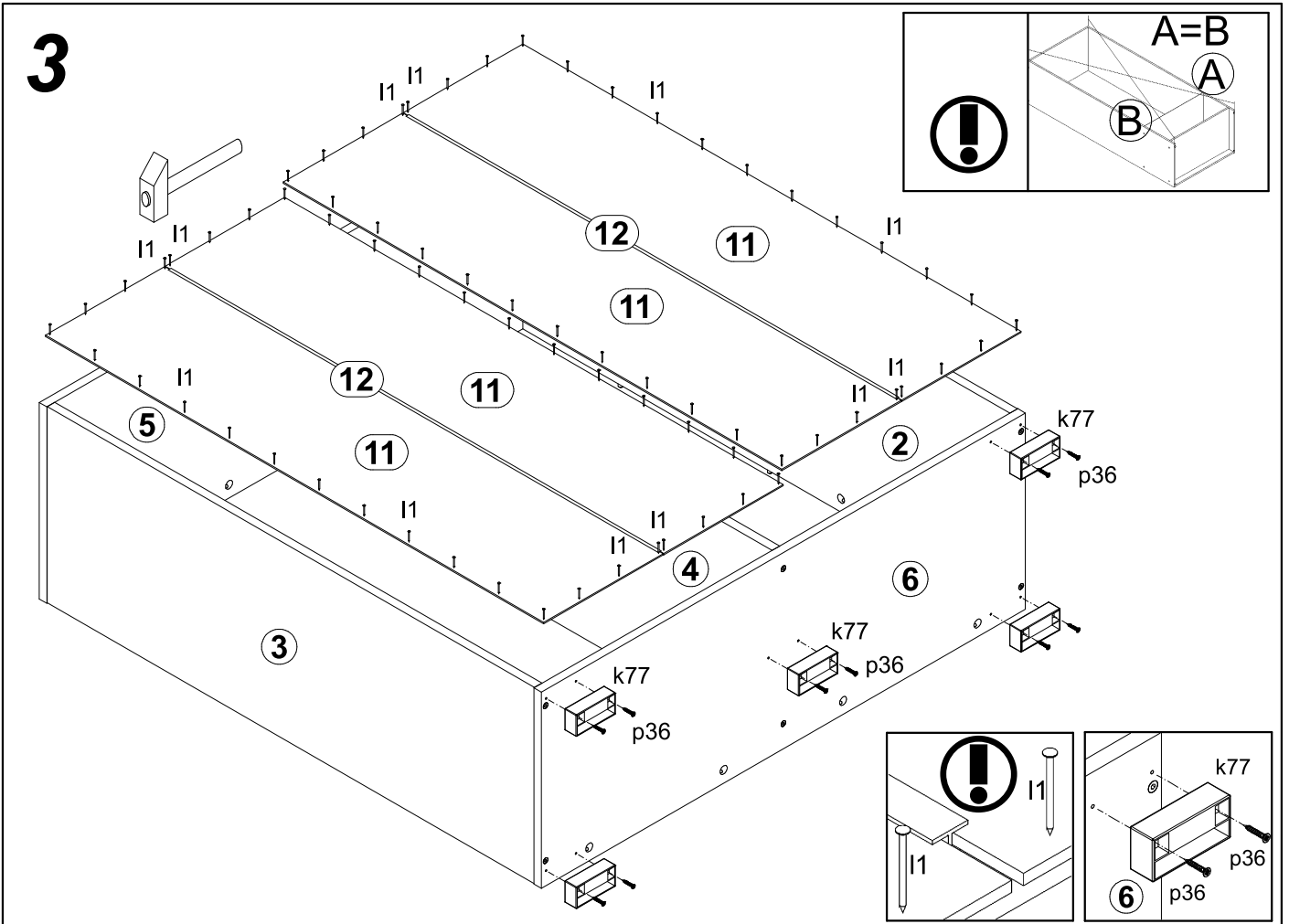
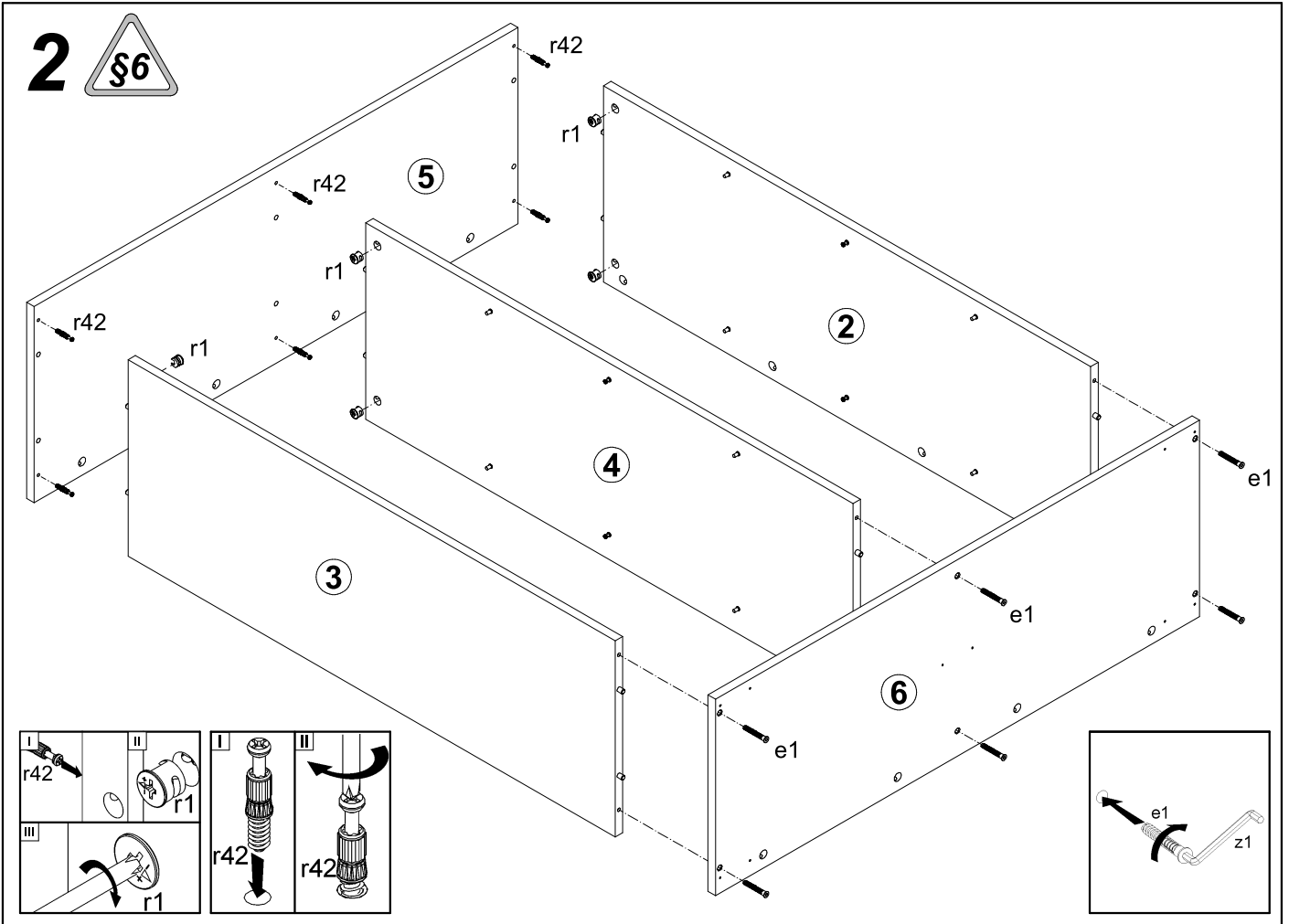
A	B	C	D	
1	S159-006	492	435	3/3
2	S159-112	1044	365	1/3
3	S159-113	1044	365	1/3
4	S159-114	1043,5	365	1/3
5	S159-205	1037	365	1/3
6	S159-206	1037	365	1/3
7	S159-301	492	364	1/3
8	S159-302	493	365	1/3
9	S159-571	1038	42	2/3
10	S159-577	1032	80	2/3
11	S159-909	1071	256	1/3
12	LH-1043	1043	14	1/3



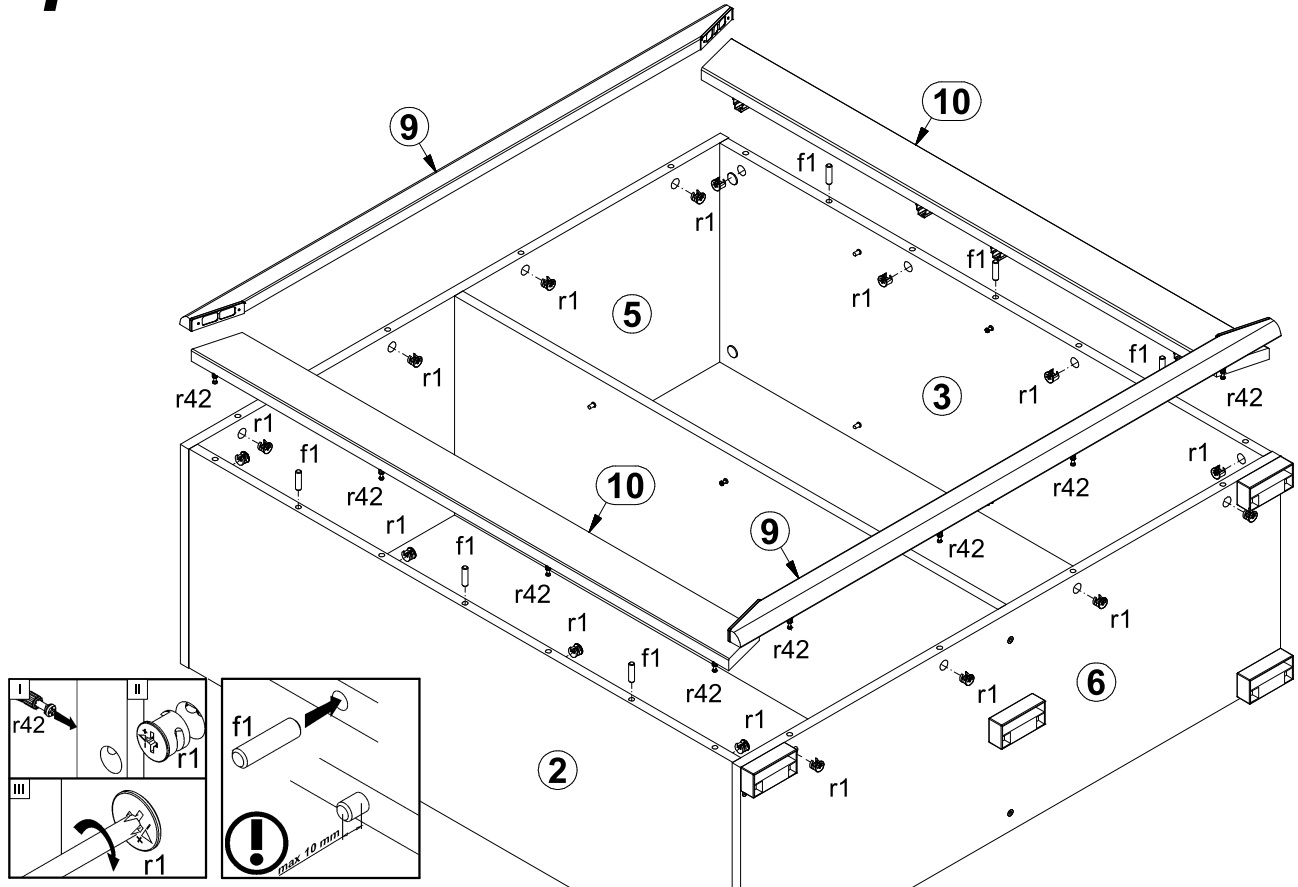
8x  a99	8x  b43	4x  c335	16x  φ5x17 mm d1	6x  φ7x50 mm e1	16x  φ6,3x13 mm e2	18x  φ8x30 mm f1	5x  8x40 25mm k77	65x  l1
8x  1,0x12 mm l16	2x  i5311	2x  i5312	10x  φ4x25 mm p36	16x  φ3,5x15 mm p51	8x  φ4x22 mm p60	22x  φ1,5x12mm #16 r1	8x  6,7/7,8 r37	22x  r42
8x  r36	14x  φ16 s2	1x  z1	1x  n2611	1x  φ3,5x16 mm p38				

# 1 §2





# 4



# 5

