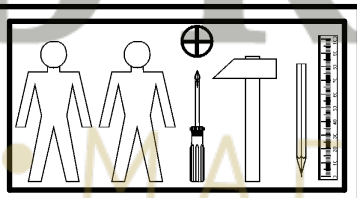
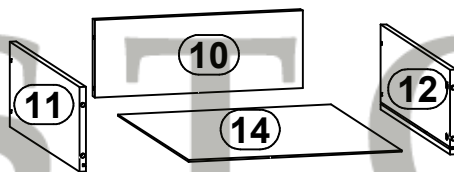
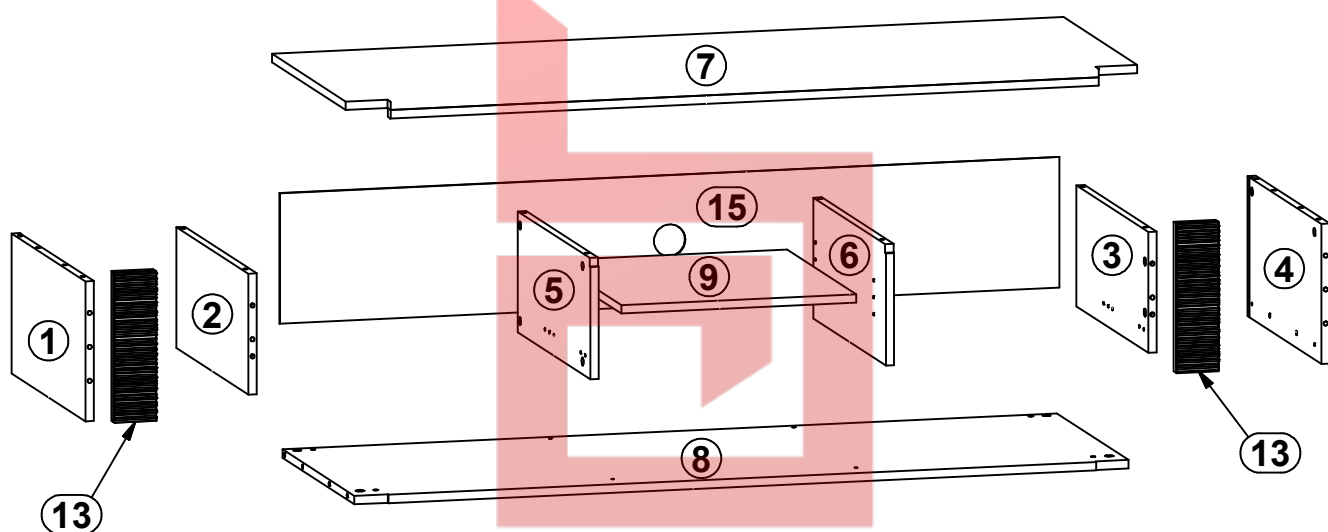
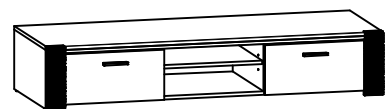
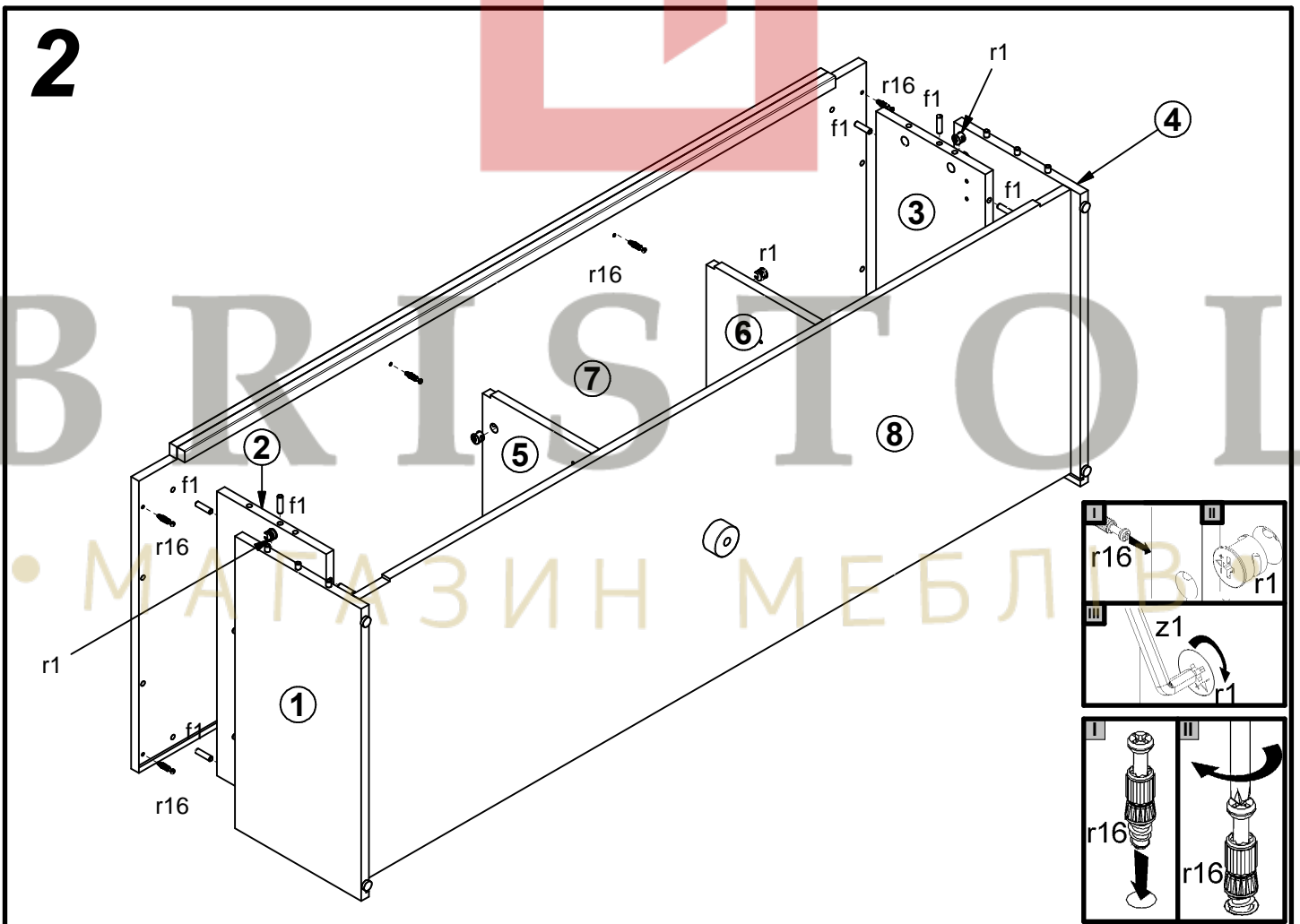
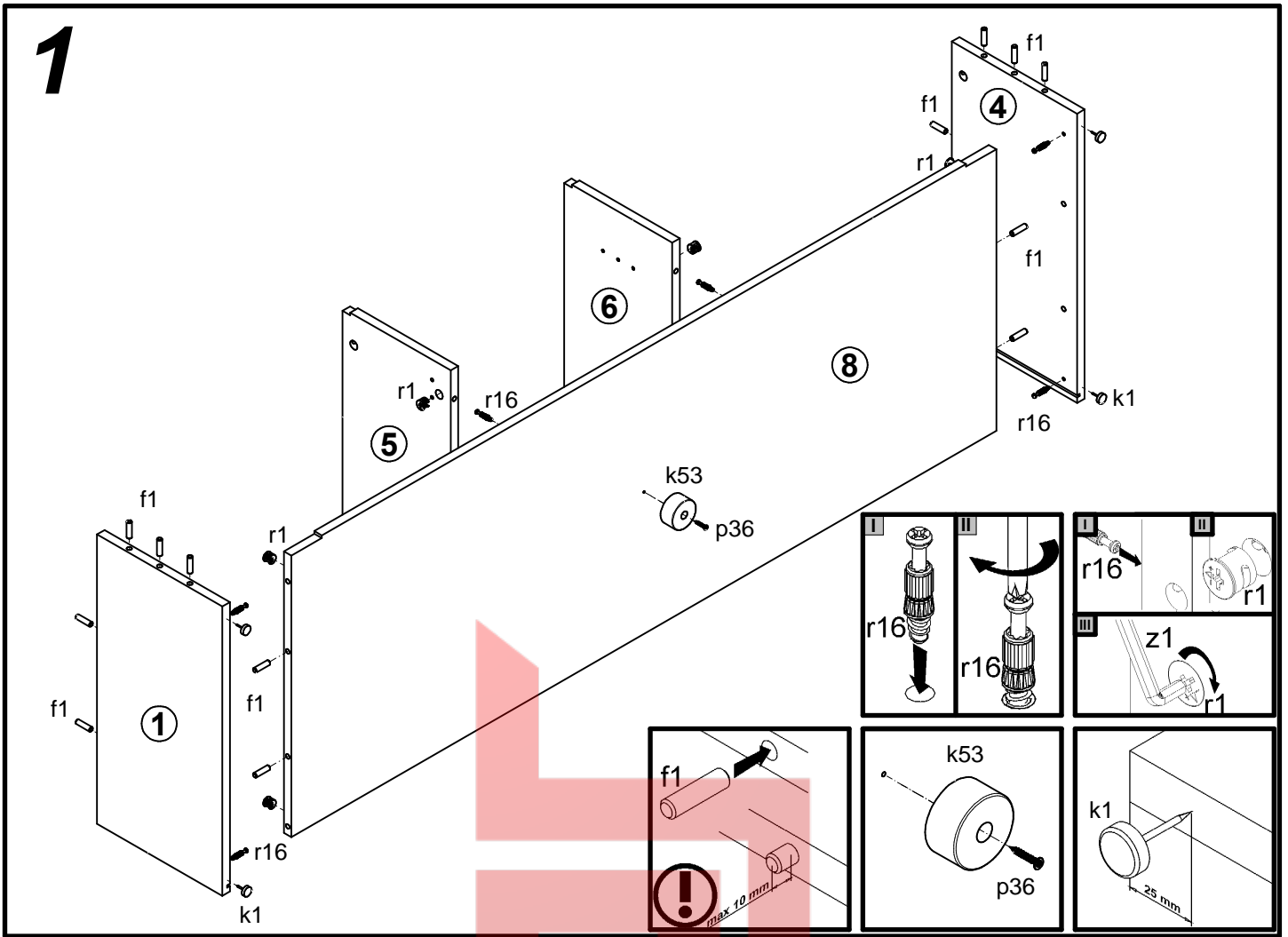
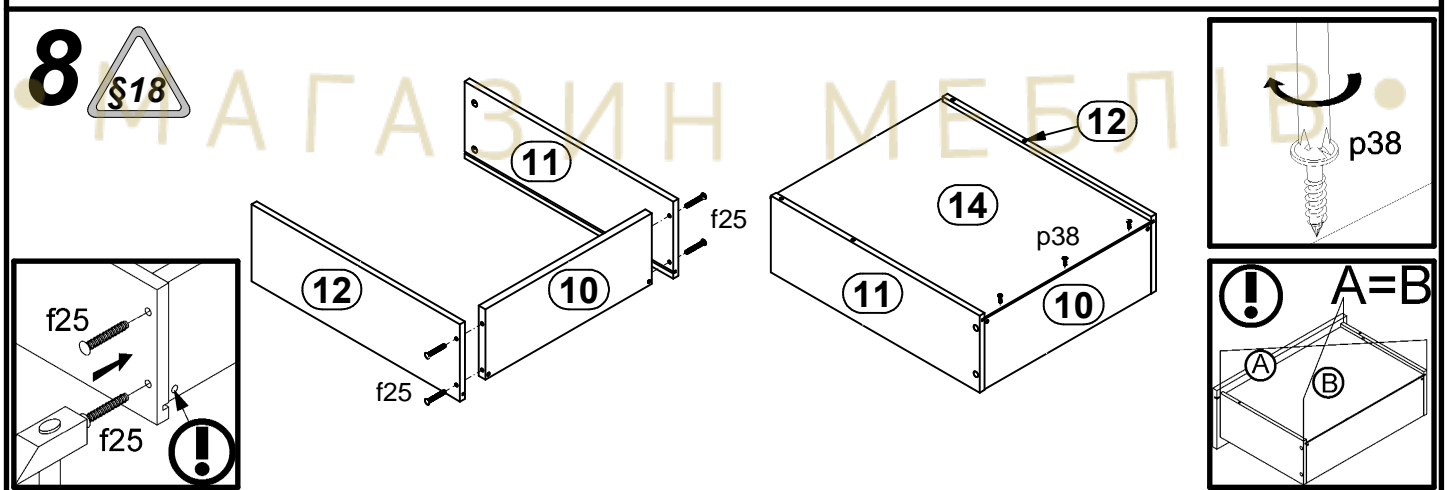
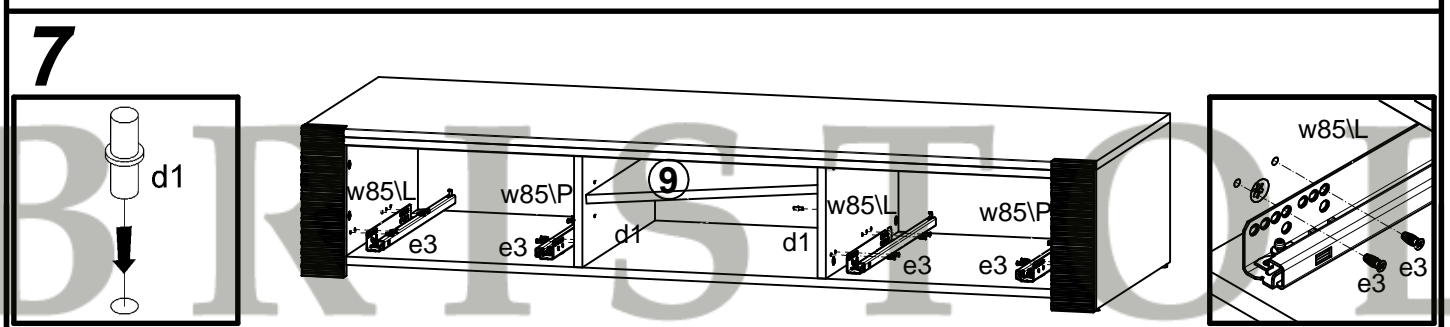
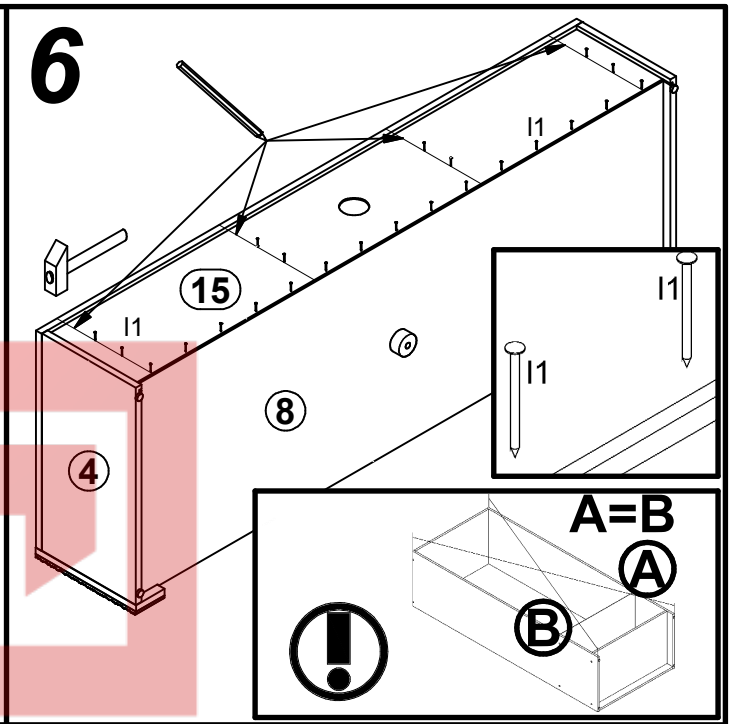
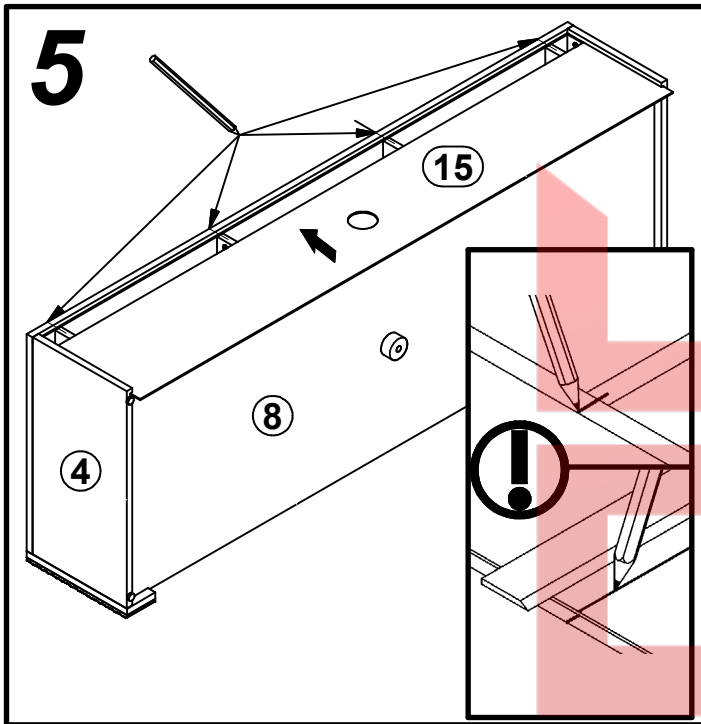
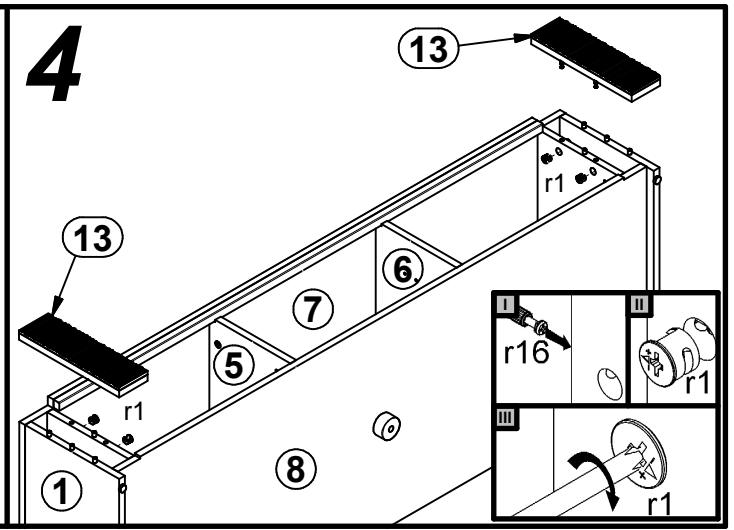
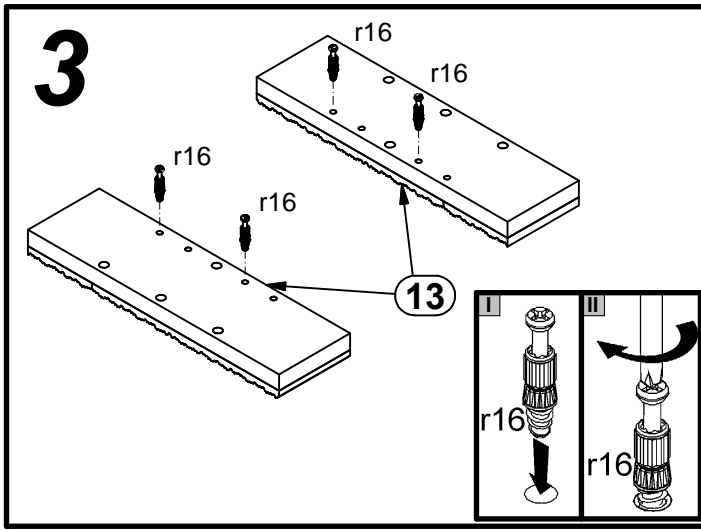


A	B	C	D	
1	S126-119	264	529	1/2
2	S126-120	228	515	1/2
3	S126-121	228	515	1/2
4	S126-122	264	529	1/2
5	S126-123	228	520	1/2
6	S126-147	228	520	1/2
7	S126-206	1519	551	1/2
8	S126-308	1486	520	1/2
9	S126-309	451	495	1/2
10	S126-504	399	146	1/2
11	S126-505	500	160	1/2
12	S126-506	500	160	1/2
13	S126-573	282	80	1/2
14	S126-905	409	506	1/2
15	S126-906	1496	246	1/2



4x φ5x17 mm <b>d1</b>	16x φ6x13 mm <b>e3</b>	24x φ8x30 mm <b>f1</b>	8x φ6.5x40 mm <b>f25</b>	4x <b>k1</b>	1x <b>k53</b>	25x <b>l1</b>	1x φ4x25 mm <b>p36</b>	6x φ3.5x16 mm <b>p38</b>
20x φ1.5x12mm #16 <b>r1</b>	8x φ12x10.5mm #12 <b>r15</b>	28x <b>r16</b>	2x 500 mm <b>w85\L</b>	2x 500 mm <b>w85\P</b>	1x <b>z1</b>			





# RAFLO

## S126-RTV2S/3/15 - FRN

A	B	C	D
1	S126-007	449	223
2	S126-008	449	223

