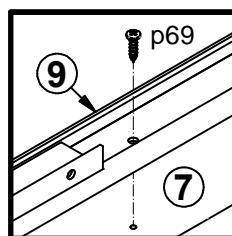
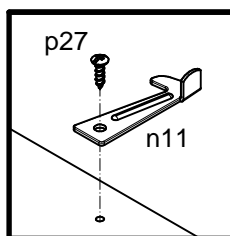
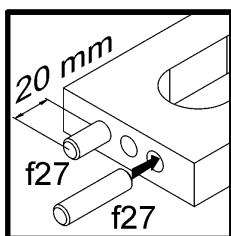
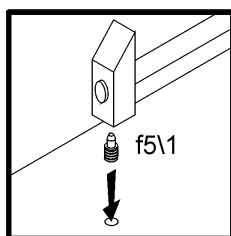
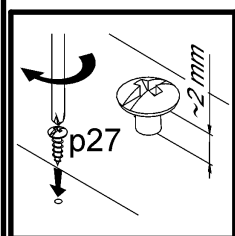
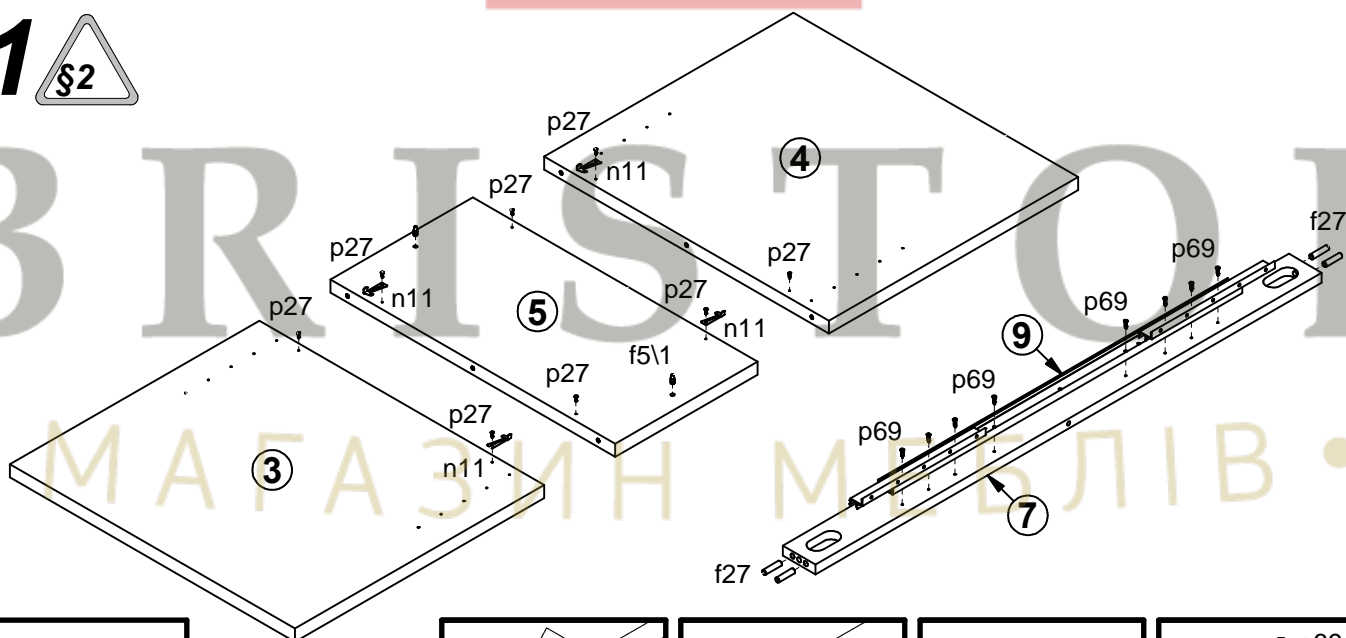
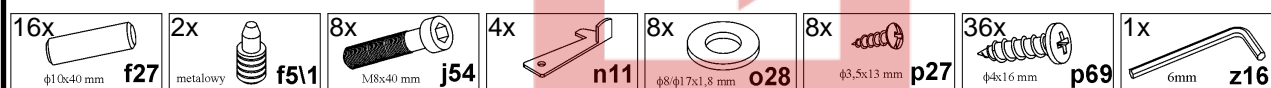
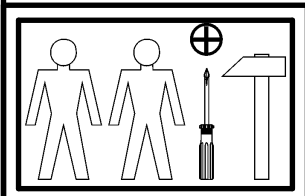
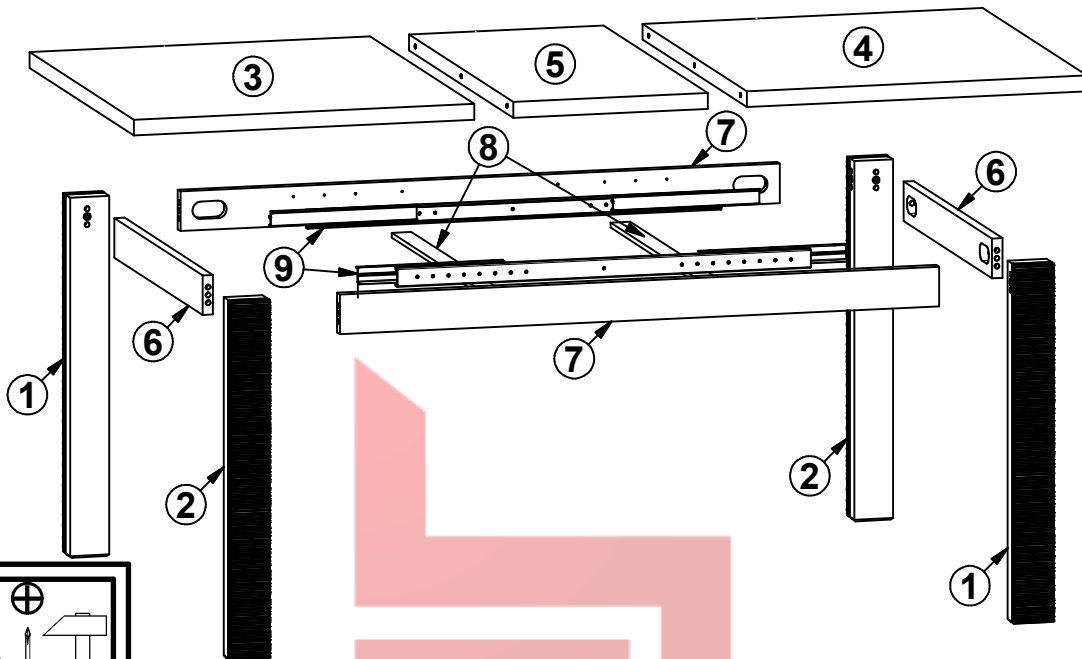
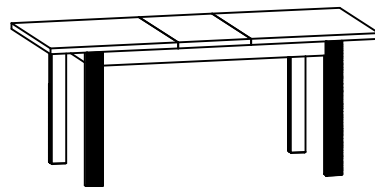


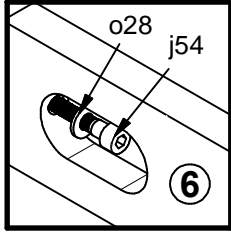
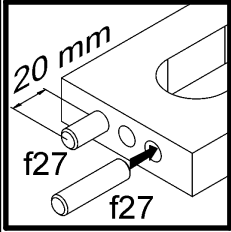
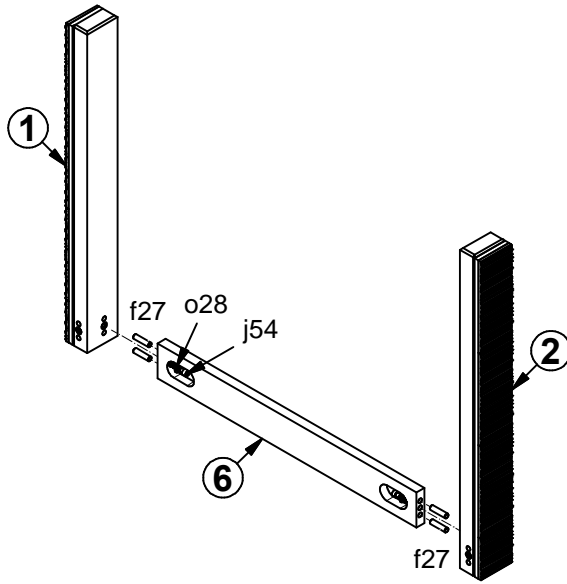
RAFLO

S126-STO/8/18

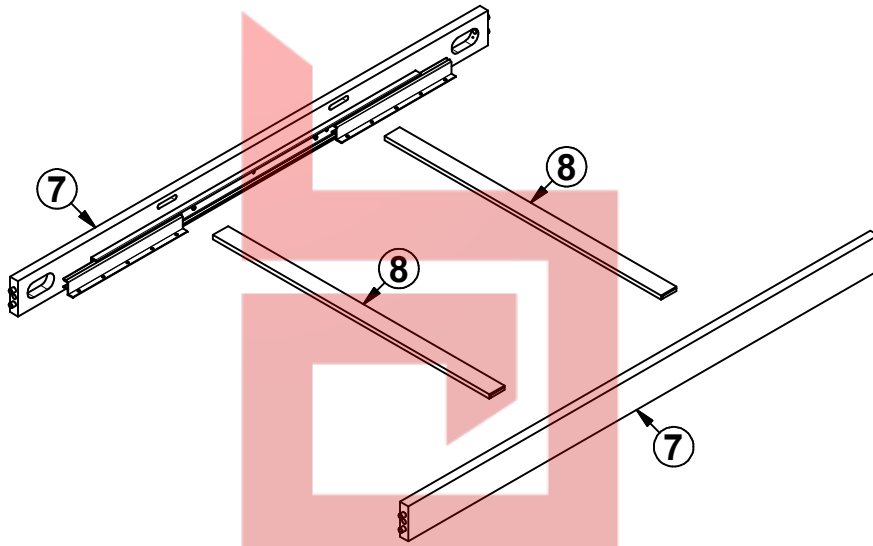
A	B	C	D	A	B	C	D		
1	S126-154	728	80	2/2	6	S126-403	678	80	2/2
2	S126-155	728	80	2/2	7	S126-404	1232	80	2/2
3	S126-212	700	800	1/2	8	S126-407	729	40	2/2
4	S126-213	700	800	1/2	9	w8	850		2/2
5	S126-214	400	800	1/2					



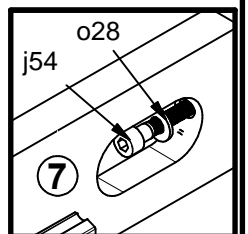
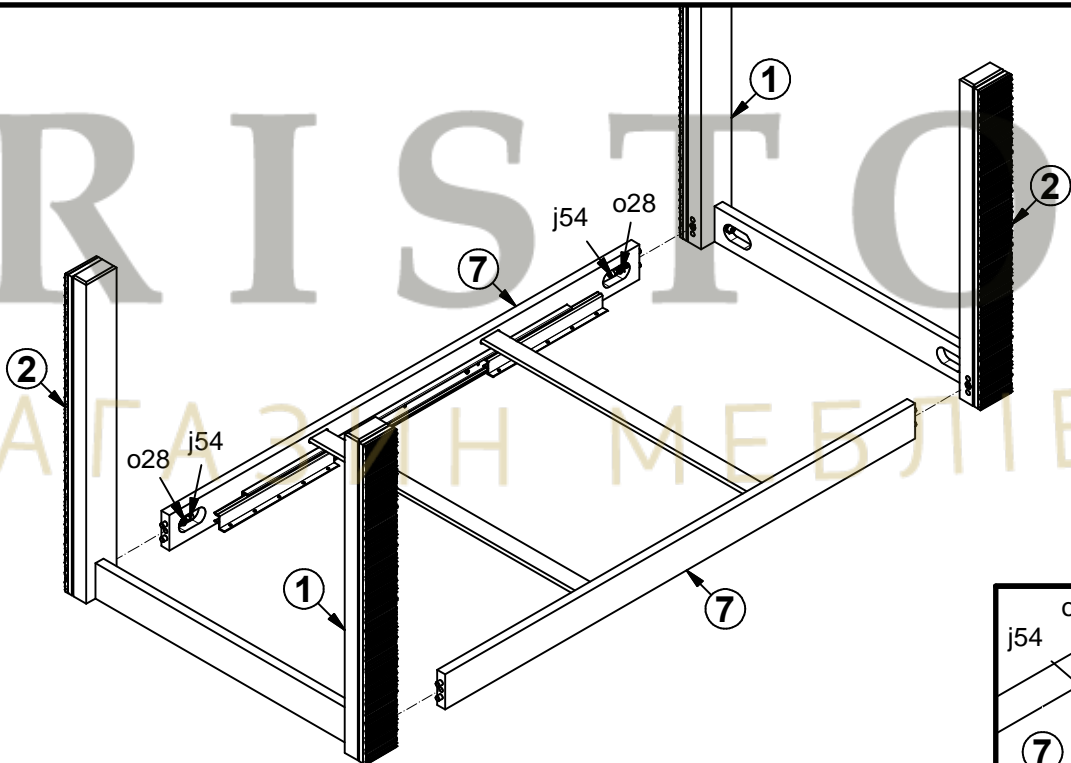
2 



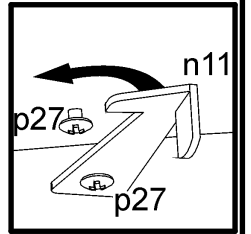
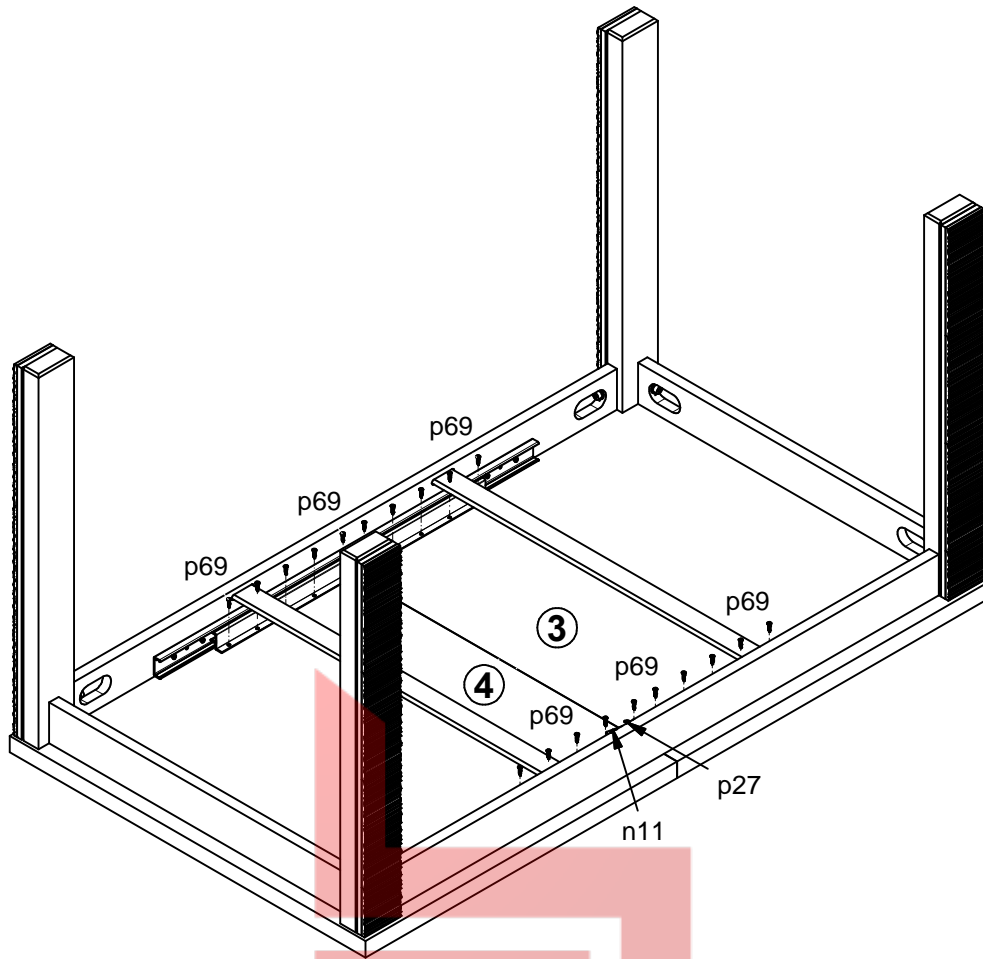
3



4



5



6

