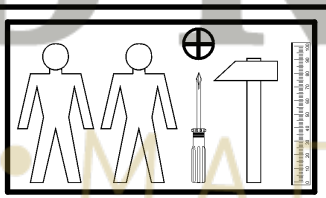
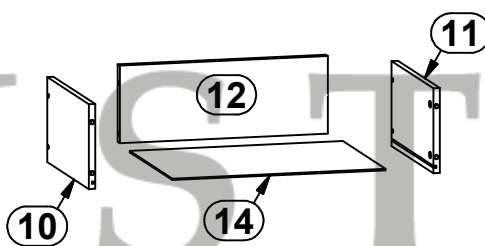
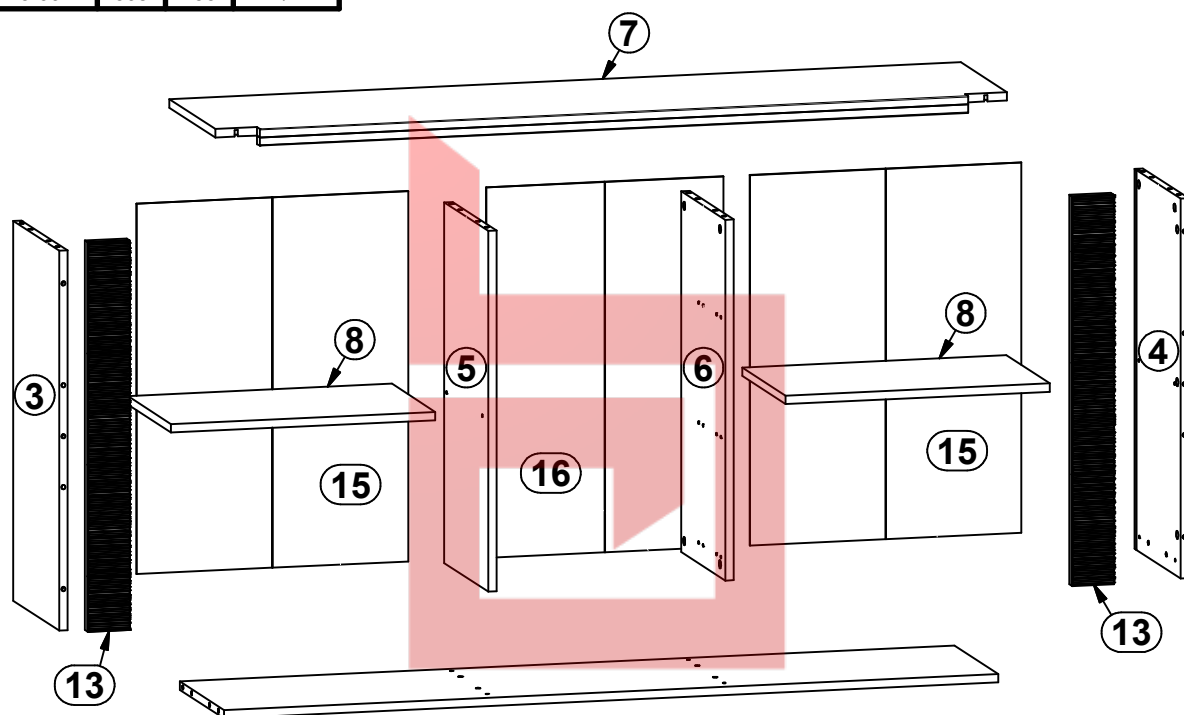
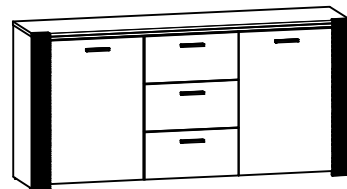


RAFLO

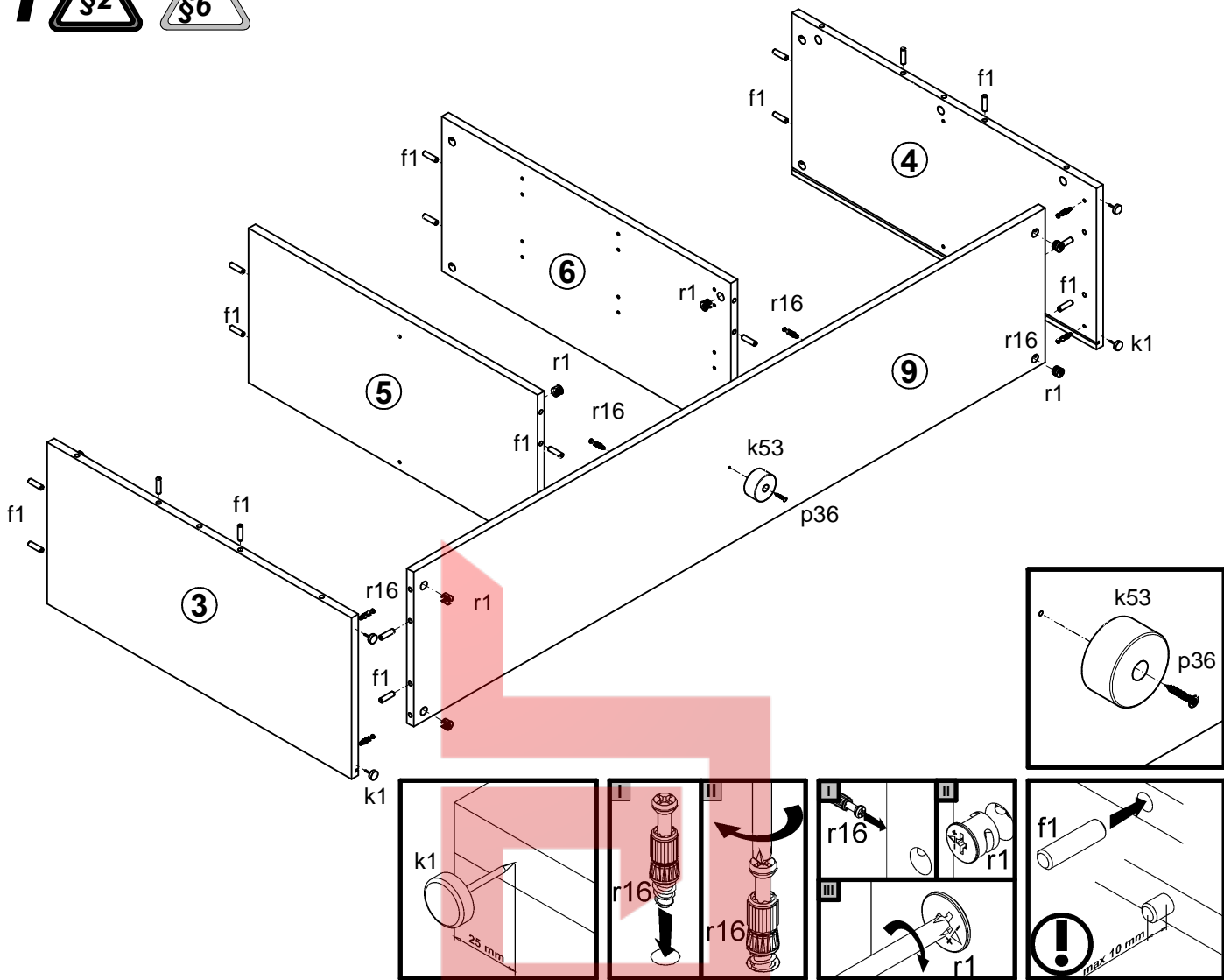
S126-KOM2D3S/7/15

A	B	C	D	
3	S126-111	716	329	1/2
4	S126-112	716	329	1/2
5	S126-113	680	315	1/2
6	S126-114	680	315	1/2
7	S126-204	1519	351	1/2
8	S126-304	507	310	1/2
9	S126-307	1486	315	1/2
10	S126-501	300	160	1/2
11	S126-502	300	160	1/2
12	S126-504	399	146	1/2
13	S126-572	734	80	1/2
14	S126-901	409	306	1/2
15	S126-9904	698	521	1/2
16	S126-9911	698	455	1/2

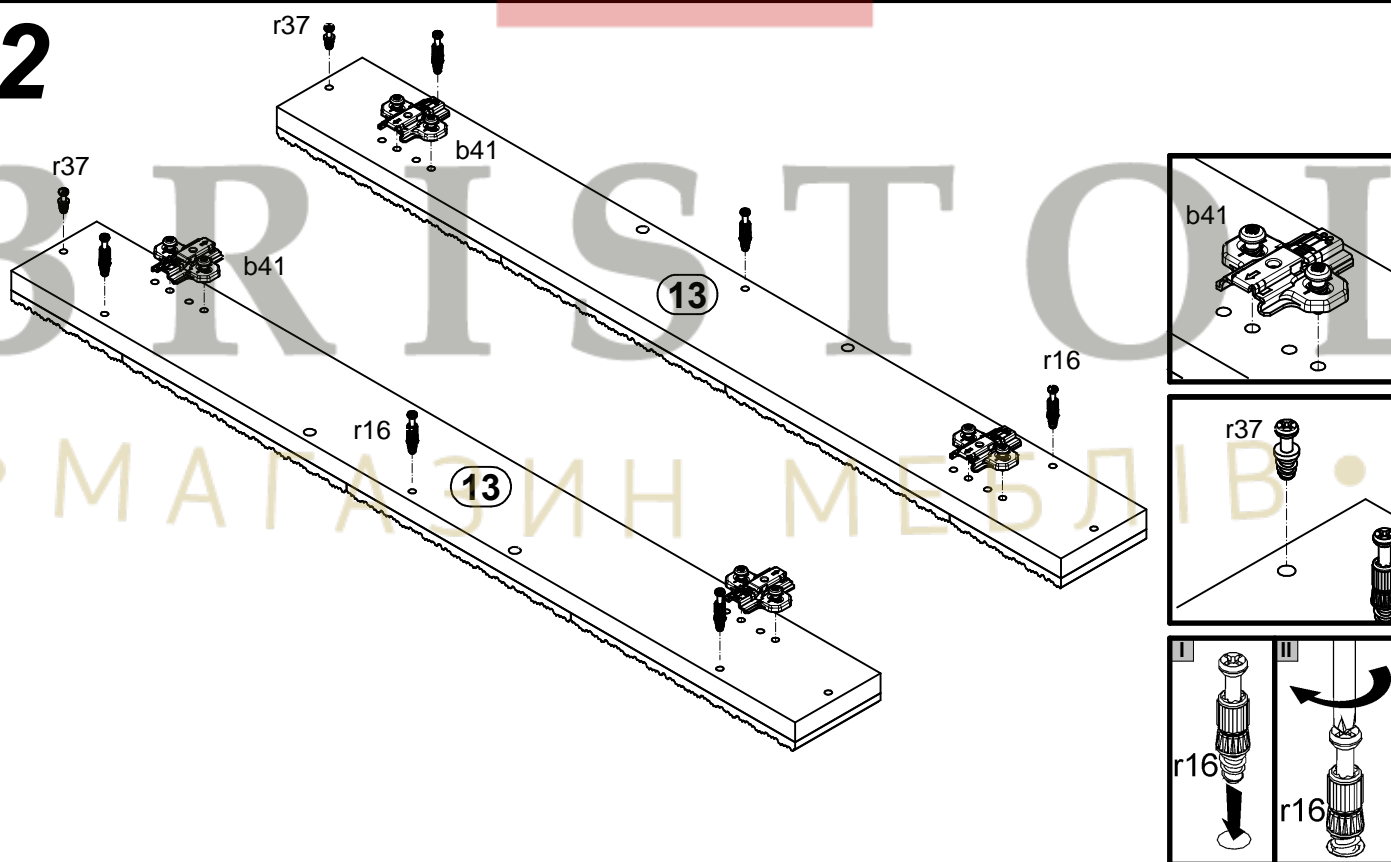


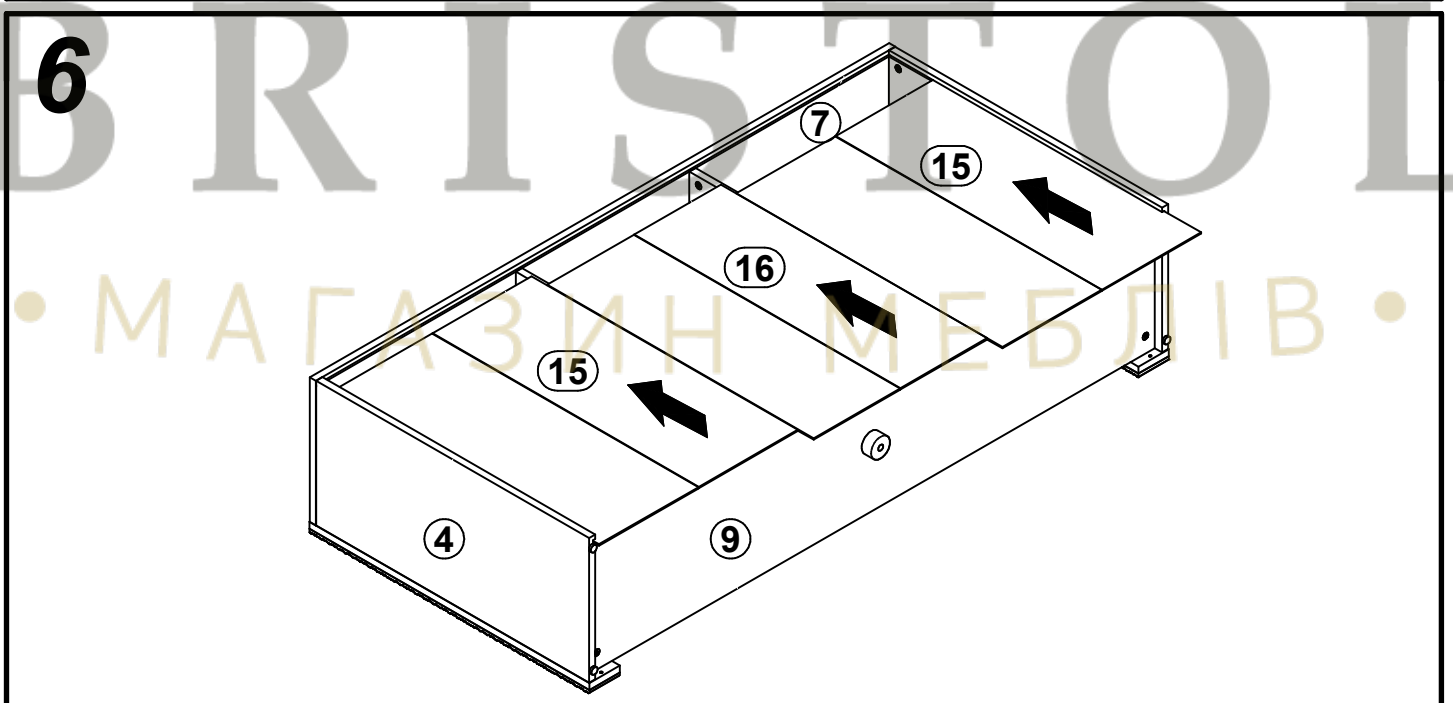
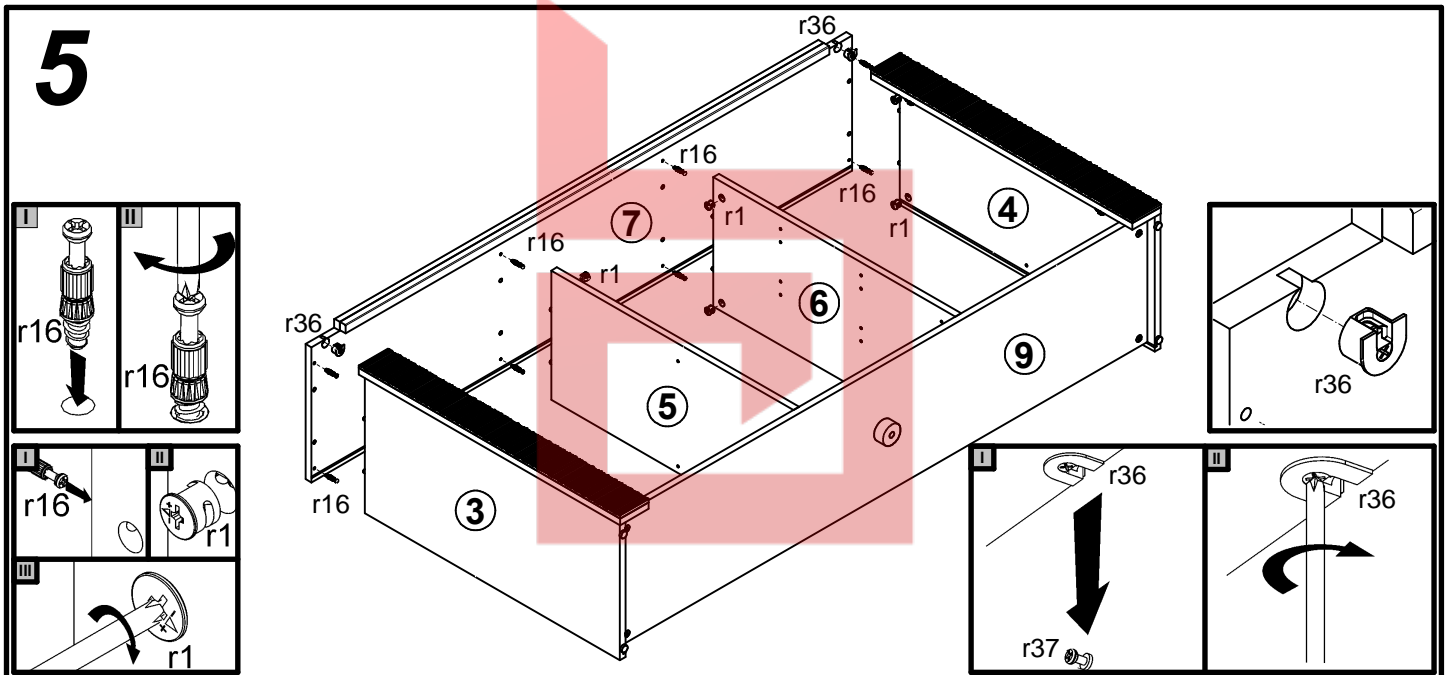
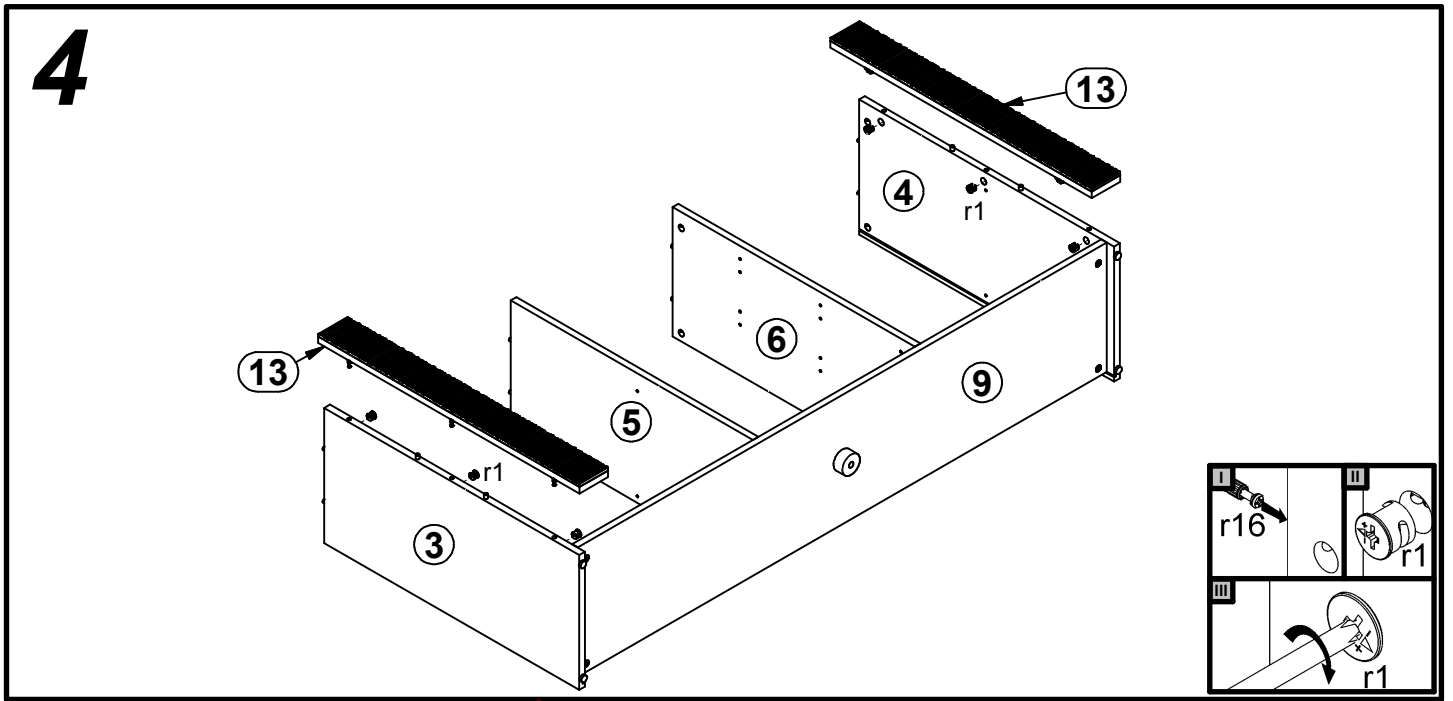
8x φ5x17 mm d1	24x φ6x13 mm e3	20x φ8x30 mm f1	12x φ6.5x40 mm f25	4x k1	1x k53	45x l1	1x φ4x25 mm p36	9x φ3.5x16 mm p38
22x φ1.5x12mm #16 r1	12x φ12x10.5mm #12 r15	34x r16	2x φ20x12mm #16 r36	2x 6,7/8 r37	8x φ11x5 mm s43	3x 300 mm w79/L	3x 300 mm w79/P	12x l2
1x n26/l1	1x φ3.5x16 mm p38	8x ø16 s2						

1  

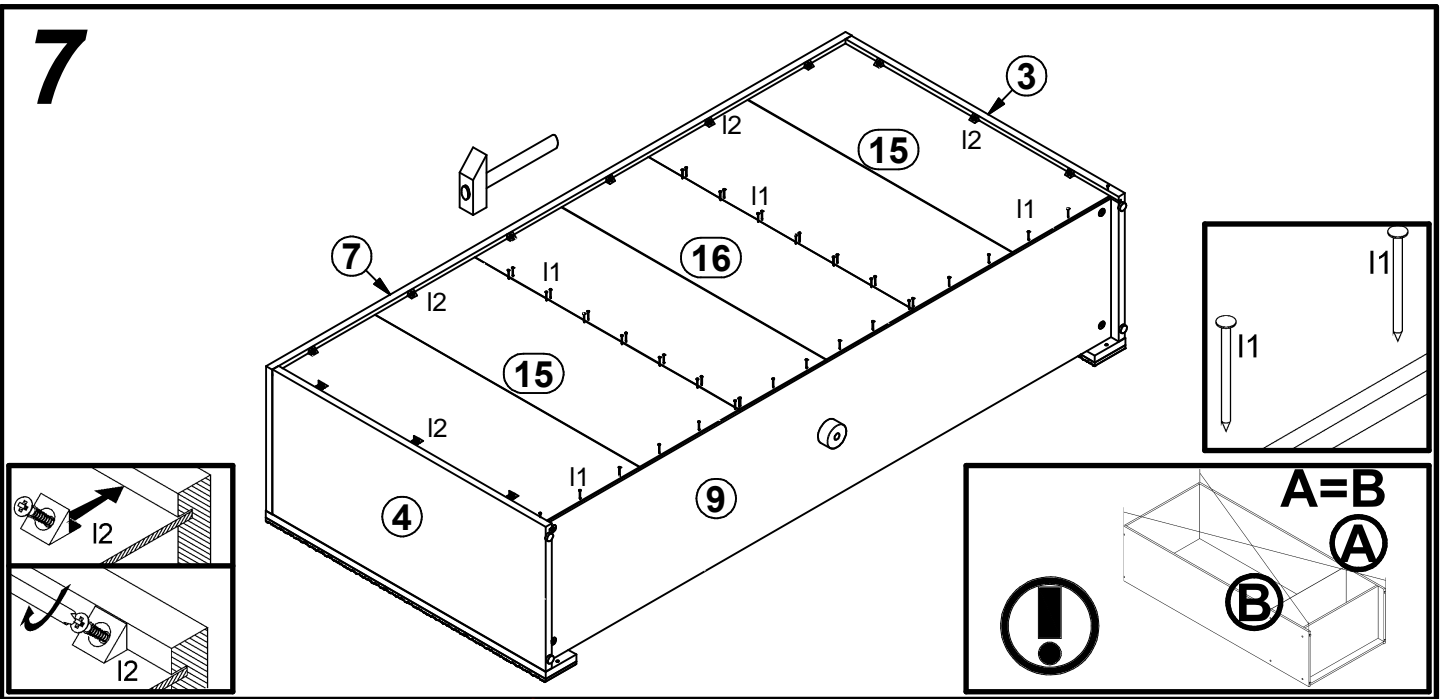


2

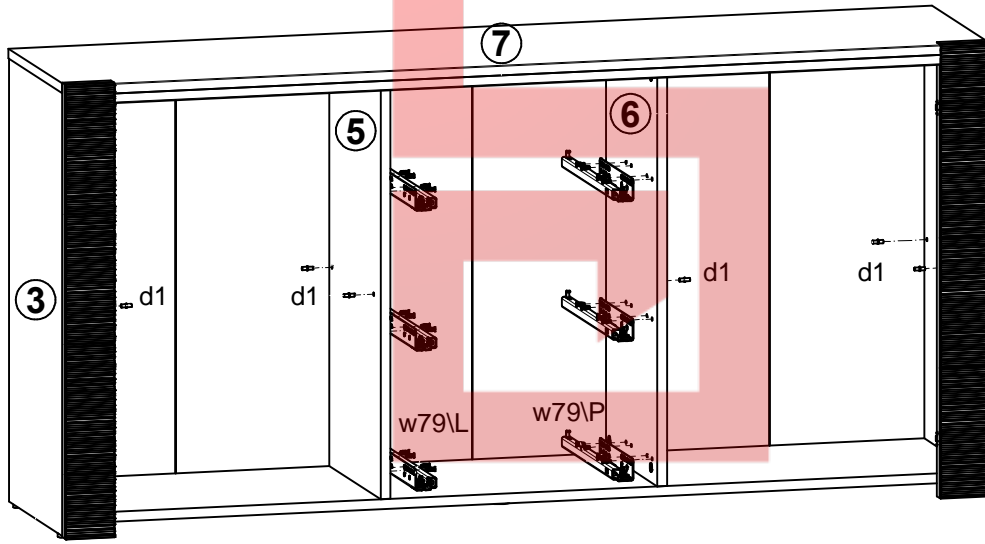




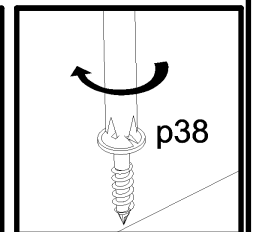
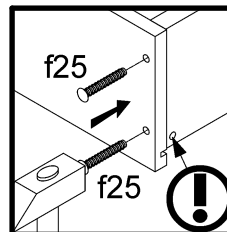
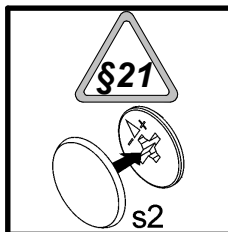
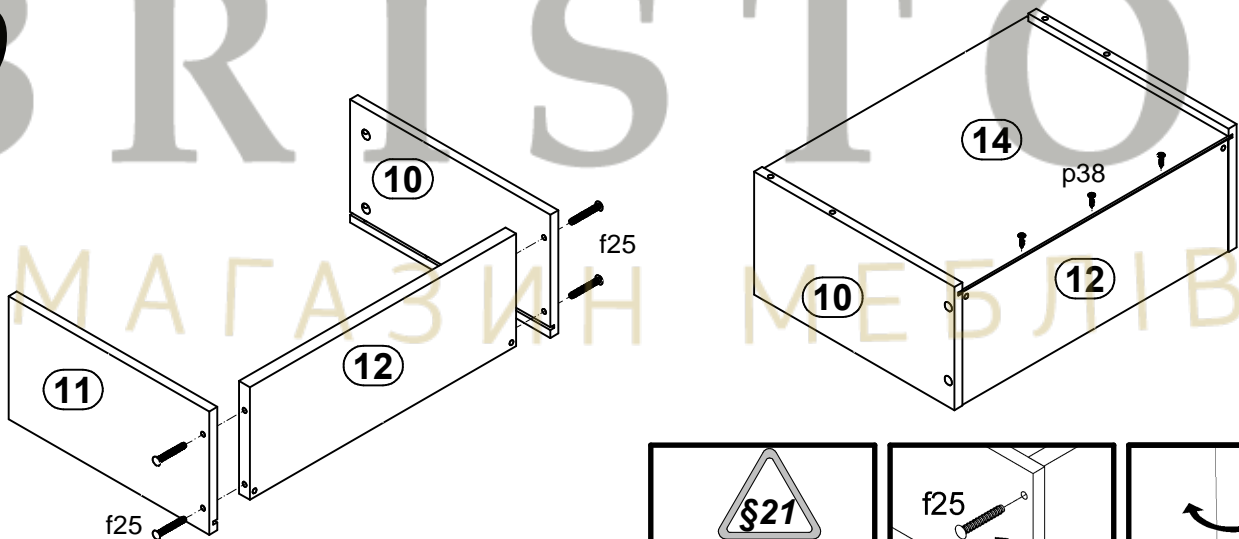
7



8



9



RAFLO

S126-KOM2D3S/7/15

A	B	C	D
1	S126-004	675	449
2	S126-005	449	223

