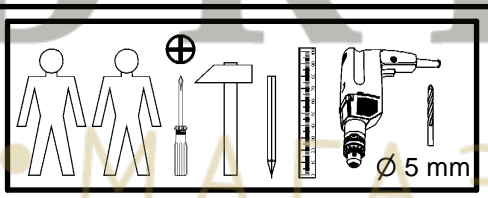
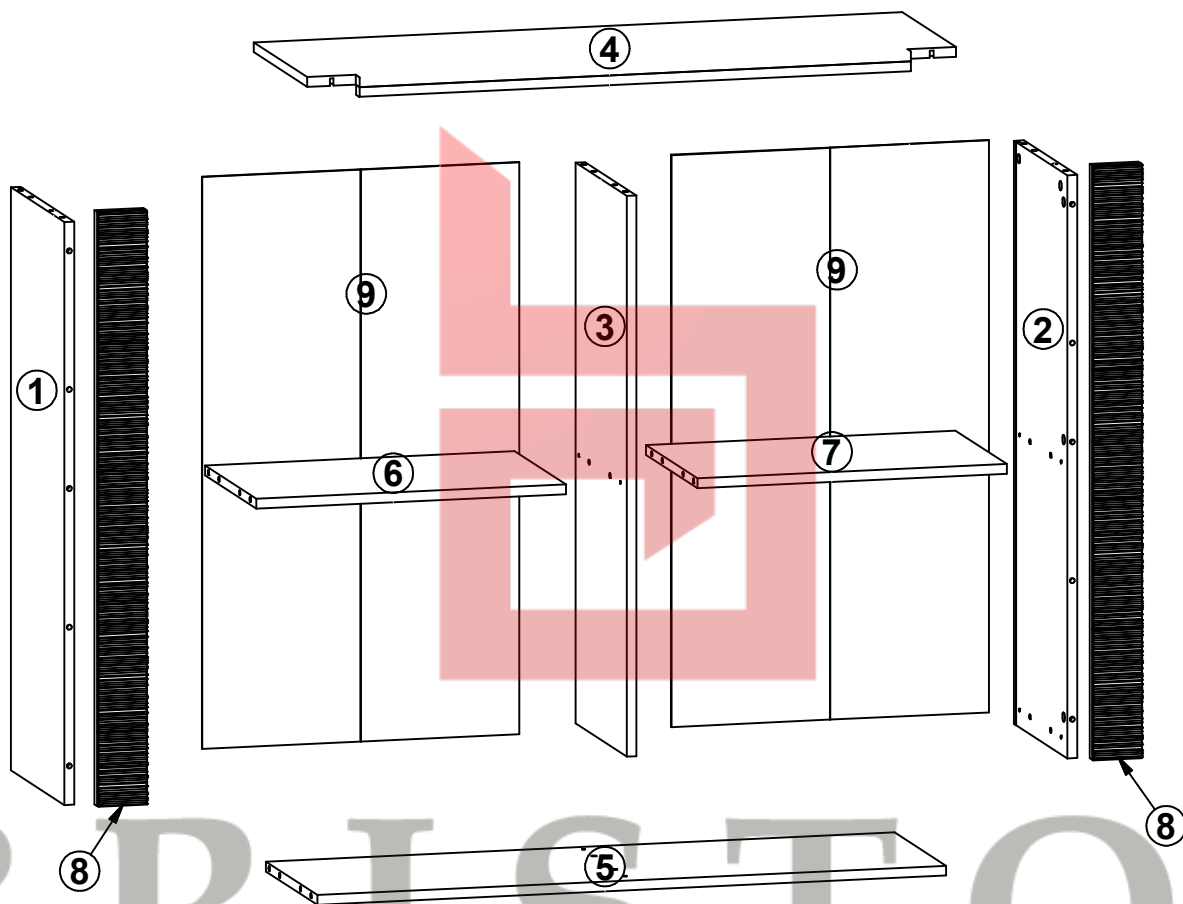
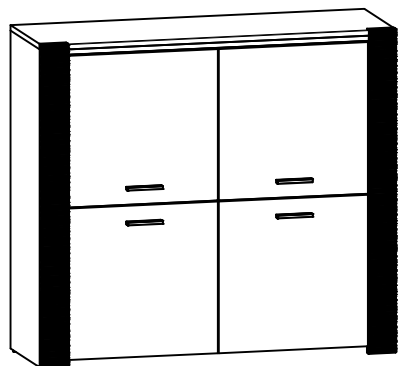
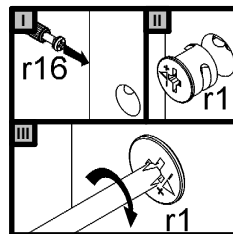
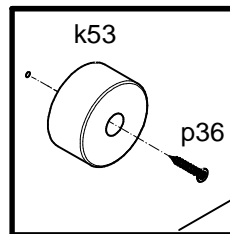
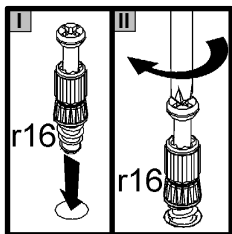
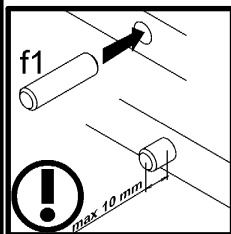
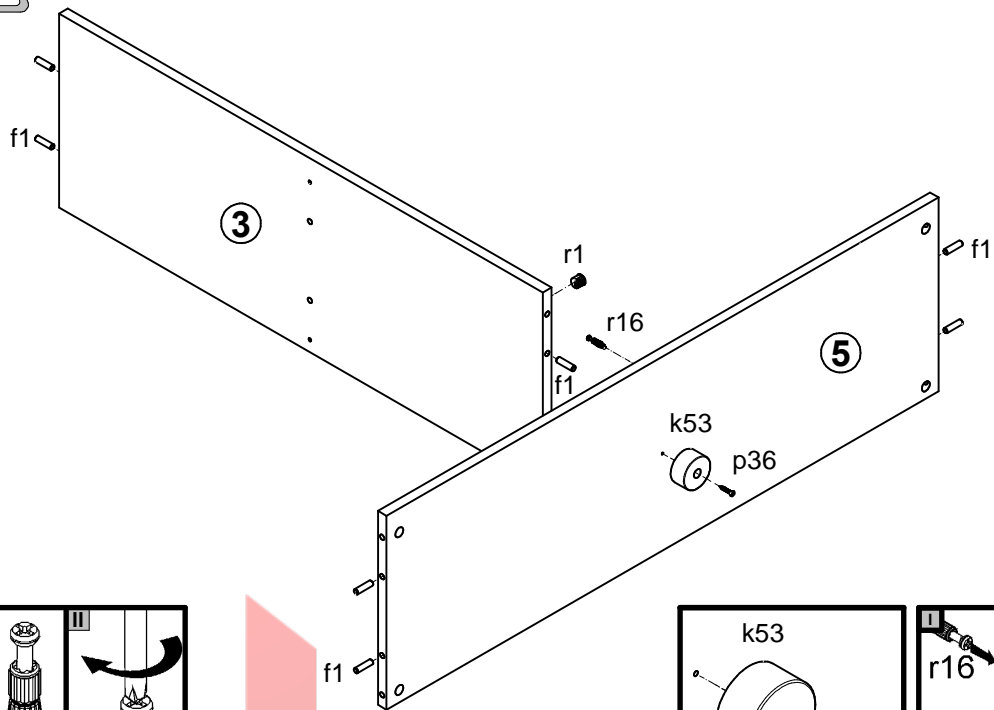


A	B	C	D
1	S126-104	942	329
2	S126-105	942	329
3	S126-106	906	315
4	S126-202	1067	351
5	S126-303	1034	315
6	S126-305	509	315
7	S126-306	509	315
8	S126-574	960	80
9	S126-9902	924	522

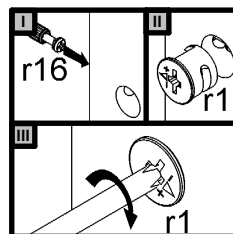
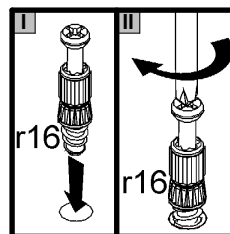
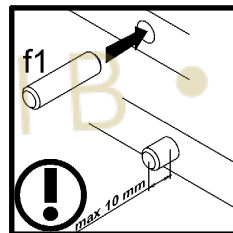
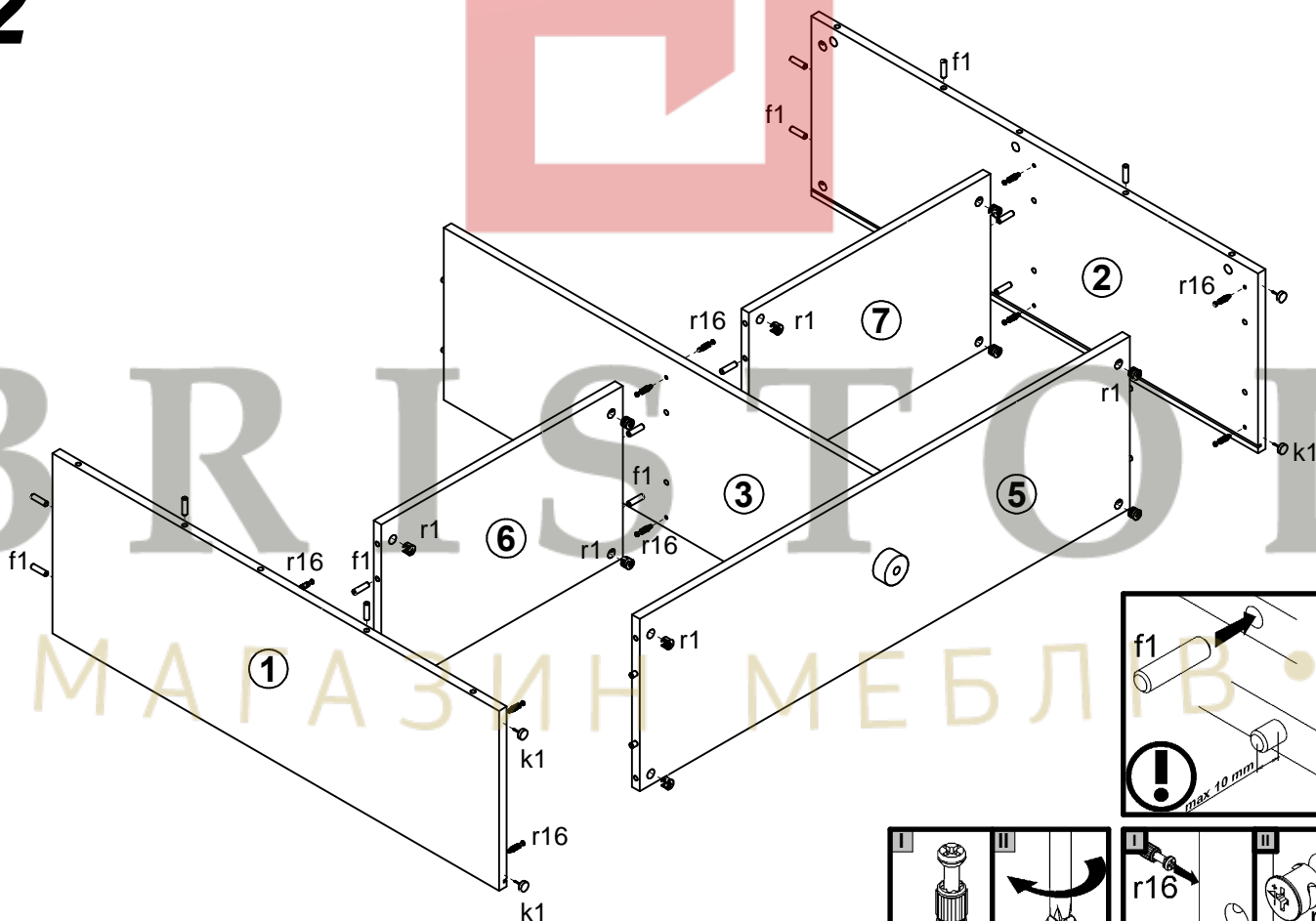


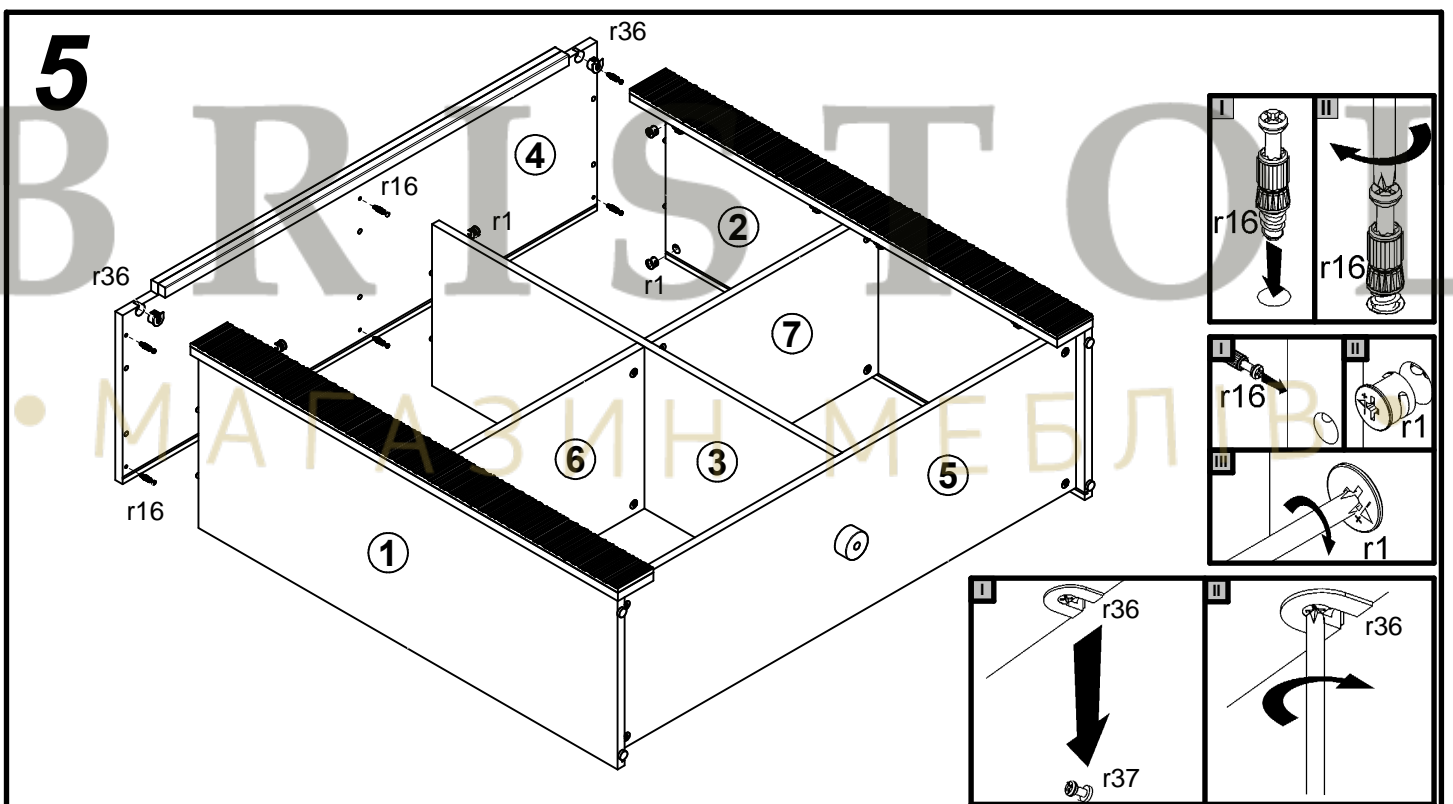
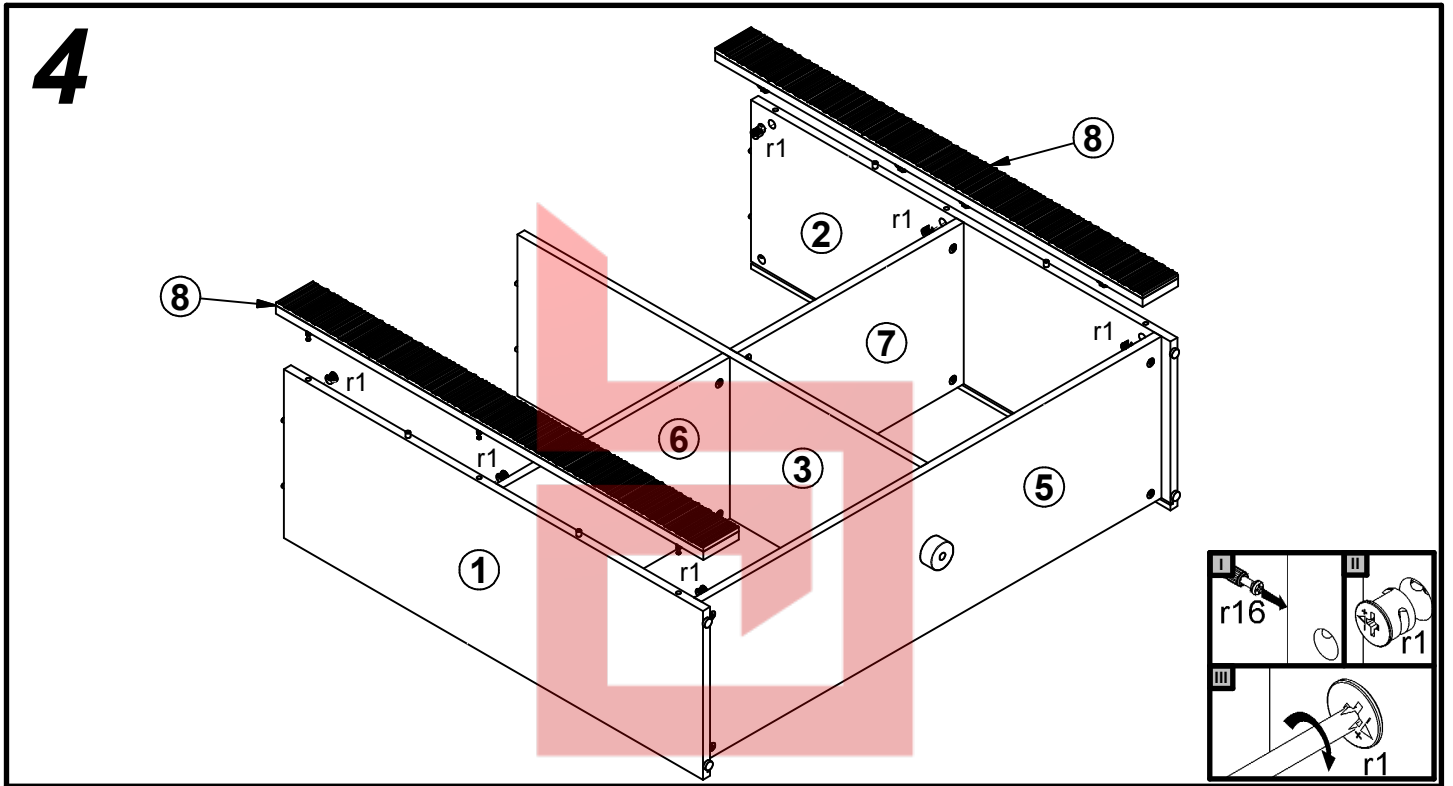
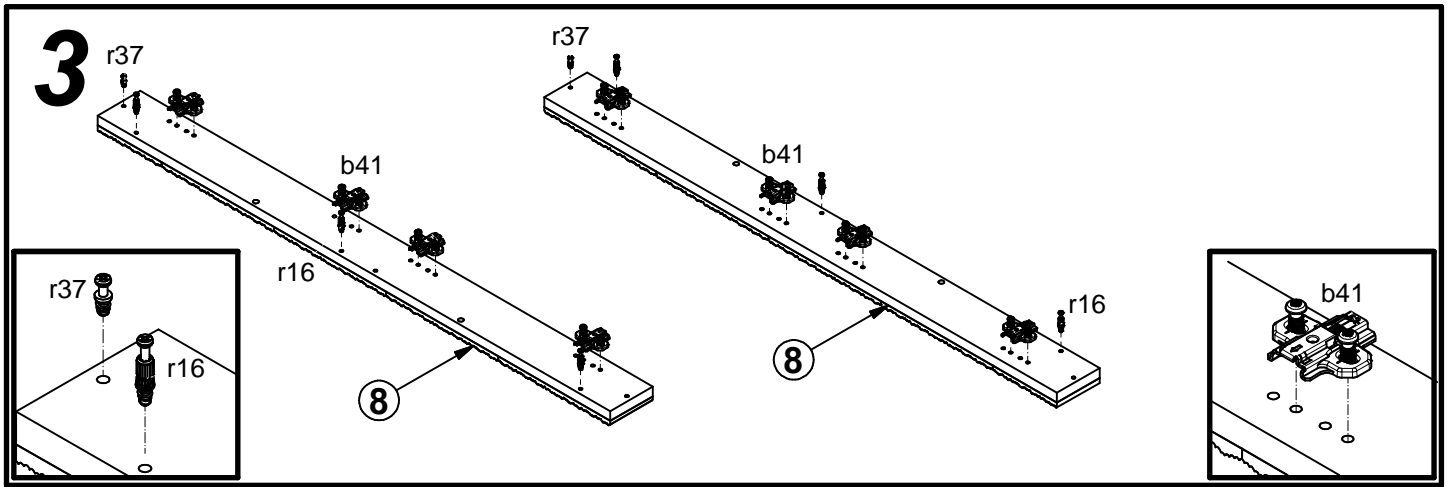
24x φ8x30 mm f1	4x k1	1x k53	30x l1	12x l2	1x φ4x25 mm p36	26x φ1.5x12mm #16 r1	26x r16	2x φ20x12mm #16 r36
2x 6,7x8 r37	8x ø16 s2	4x φ11x5 mm s43	1x n26/1	1x φ3,5x16 mm p38				

1  §2  §6

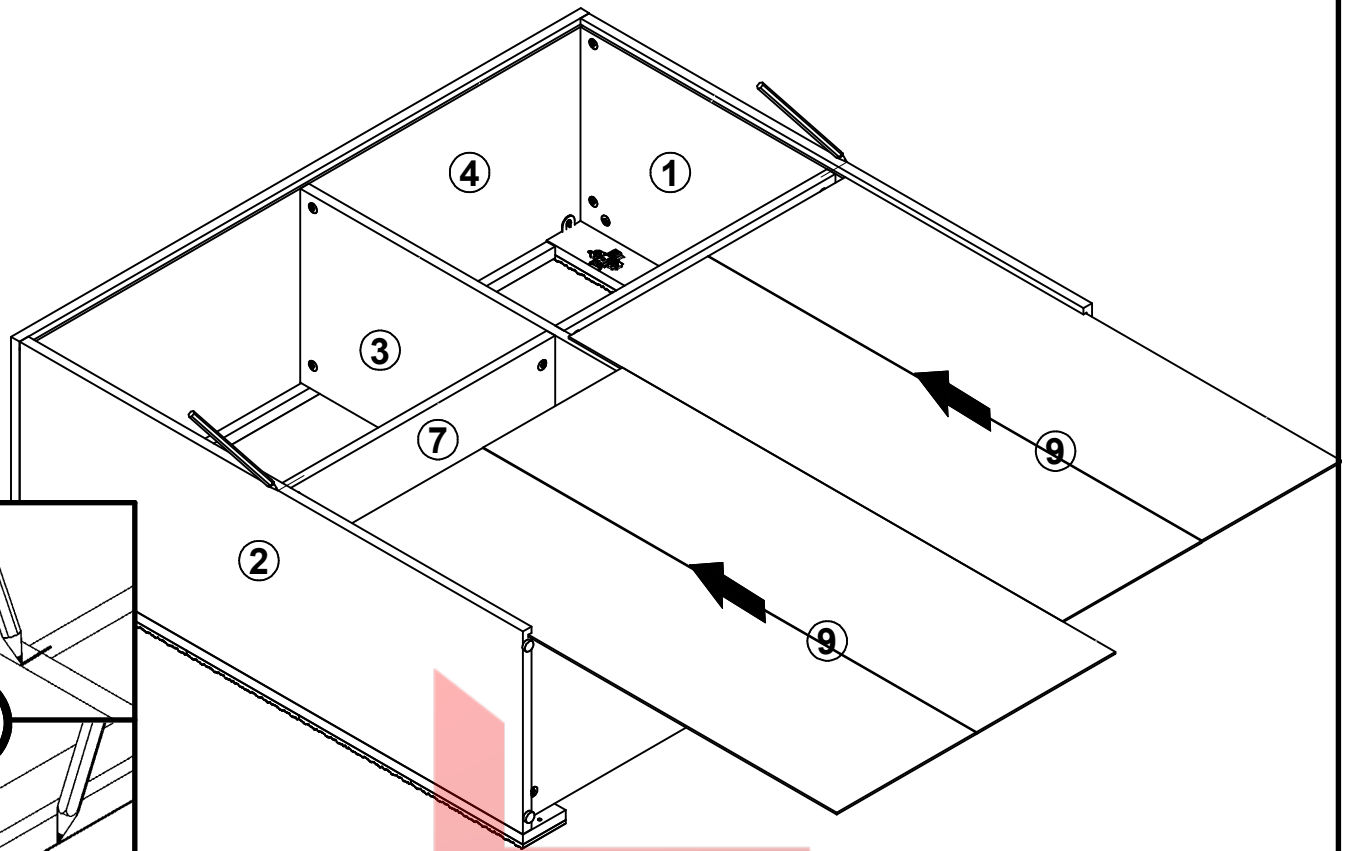
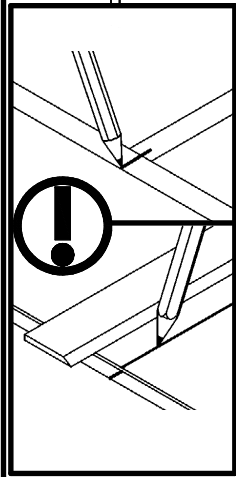


2

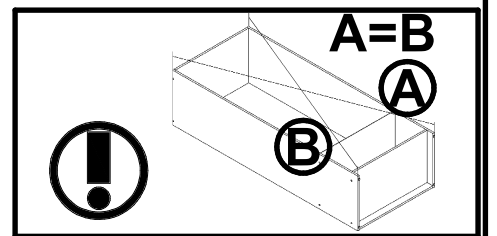
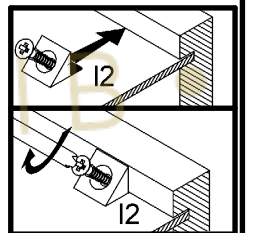
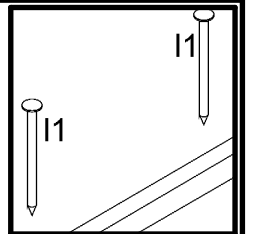
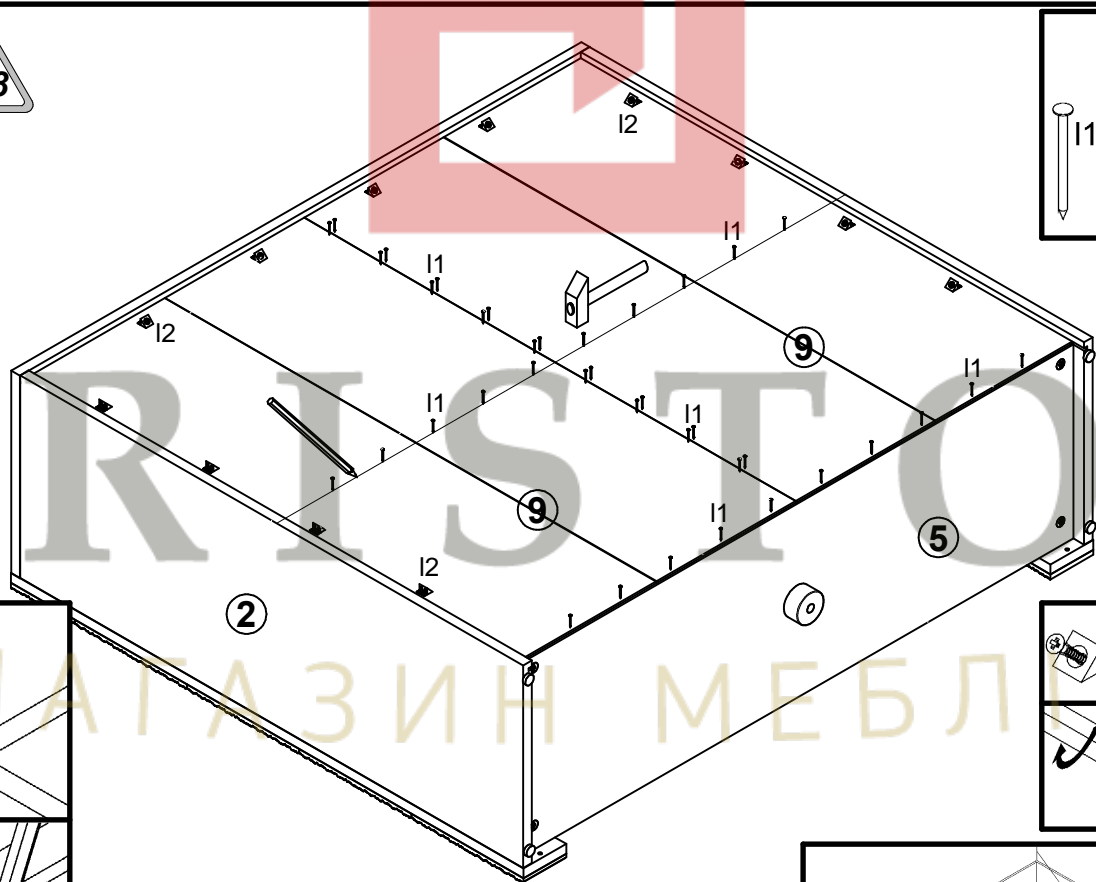
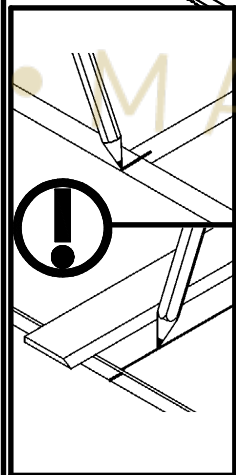




6



7



RAFLO

S126-SFK4D/10/11

A	B	C	D
1	S126-003	449	449
			2/2

