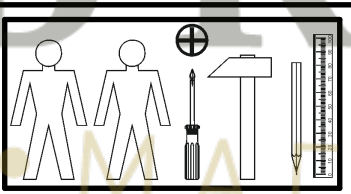
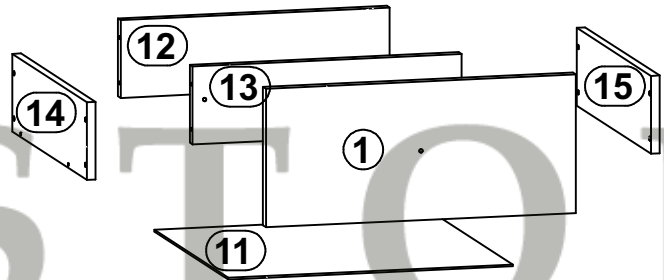
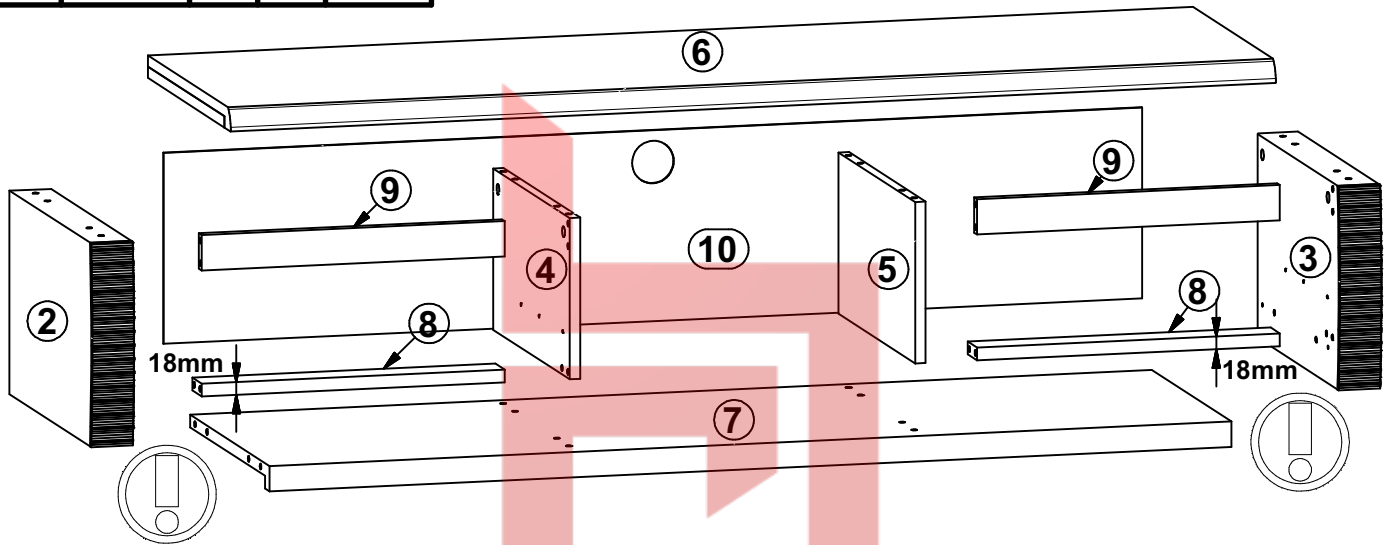
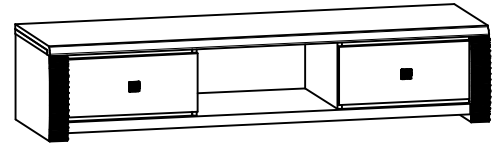


SENEGAL

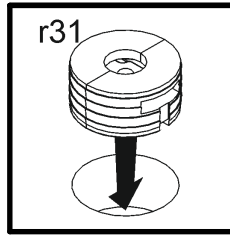
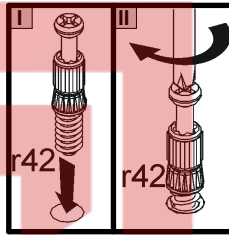
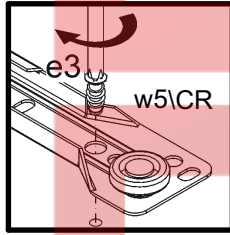
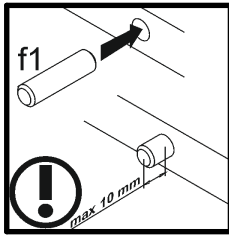
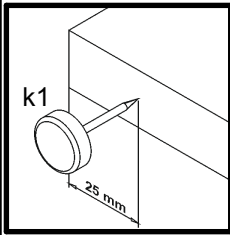
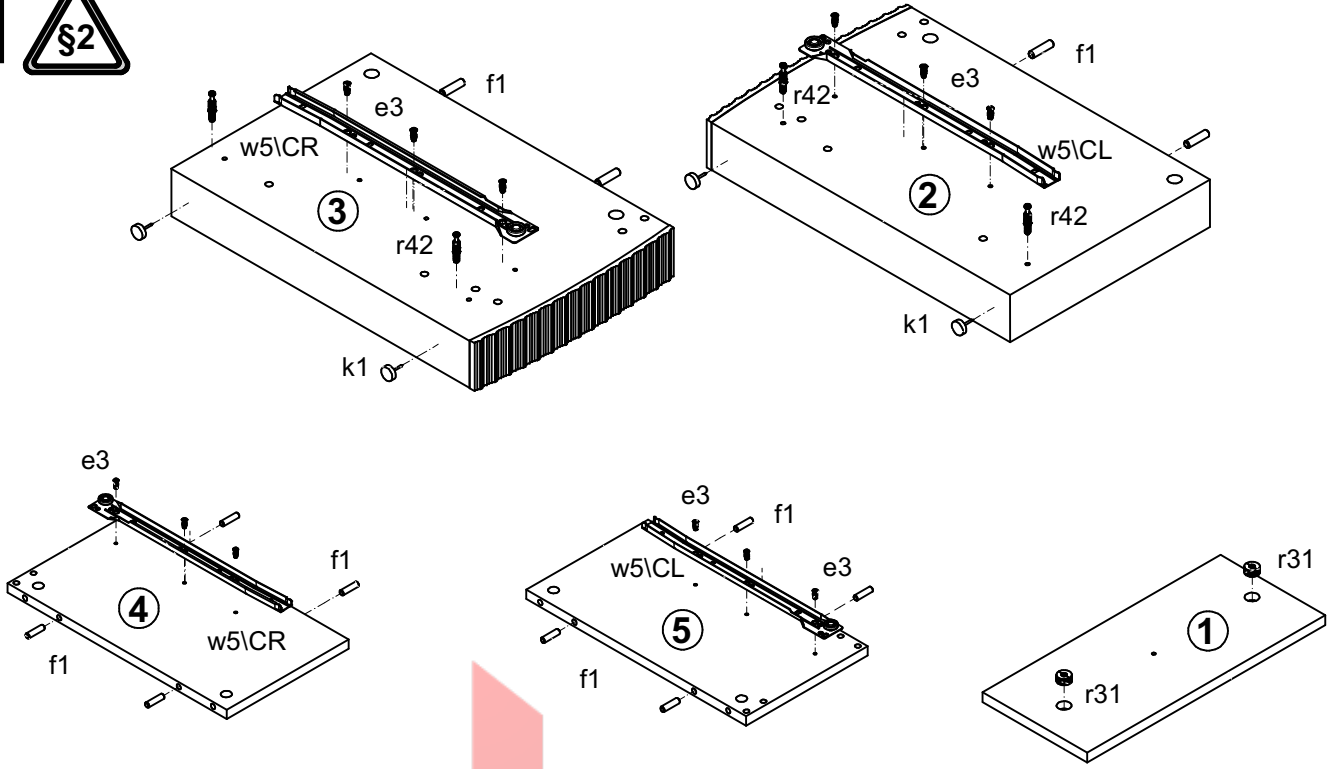
S175-RTV2S

A	B	C	D	
1	S175-014	446	196	4/4
2	S175-1127	288	445	1/4
3	S175-1128	288	445	1/4
4	S175-1129	228	411	2/4
5	S175-1130	228	411	2/4
6	S175-2209	1504	443	2/4
7	S175-3319	1384	426	2/4
8	S175-4403	436	50	2/4
9	S175-4405	436	50	2/4
10	S175-9918	270	1494	2/4
11	S175-9919	409	398	3/4
12	ZT3-509	387	110	3/4
13	ZT3-510	387	110	3/4
14	ZT3-517	400	110	3/4
15	ZT3-518	400	110	3/4

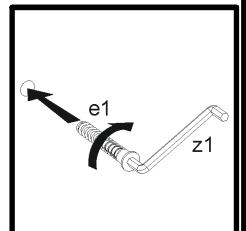
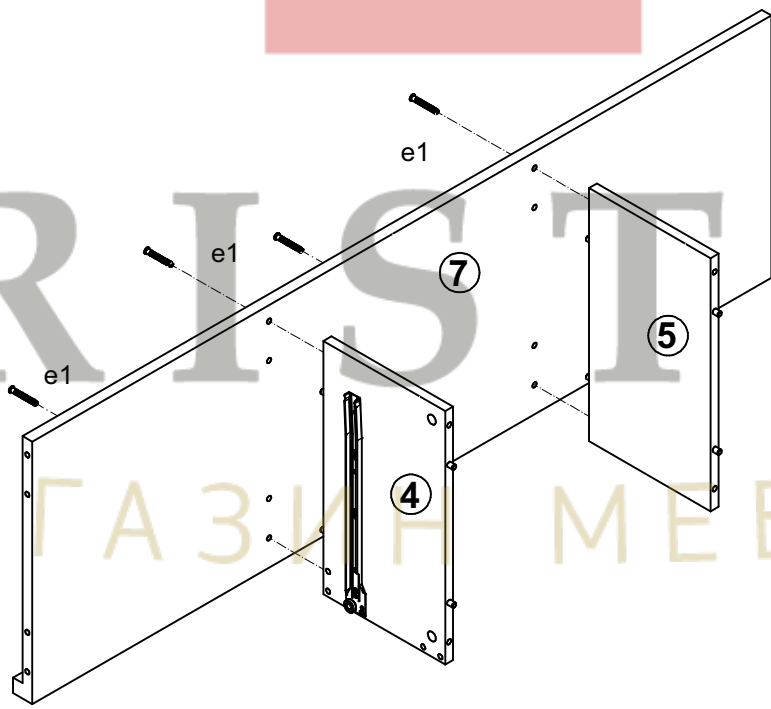


2x c295\1	2x c295\2	4x φ7x50 mm e1	12x φ6x13 mm e3	16x φ6x50 mm e32	32x φ8x30 mm f1	2x M4x22 mm j60	4x M4x25 mm j8	4x k1	
2x k2\1	2x k2\2	40x l1	16x φ3.5x16 mm p38	12x φ1.5x12 mm #16 r1	4x φ2.1x10 mm r31	12x r42	2x 400 mm w5\CL	2x 400 mm w5\CR	
2x 400 mm w5\DL	2x 400 mm w5\DR	1x z1	8x φ5x9 mm e19						

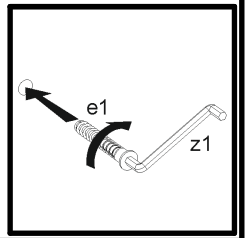
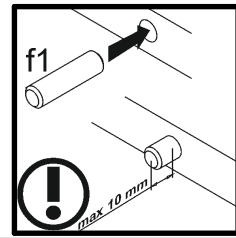
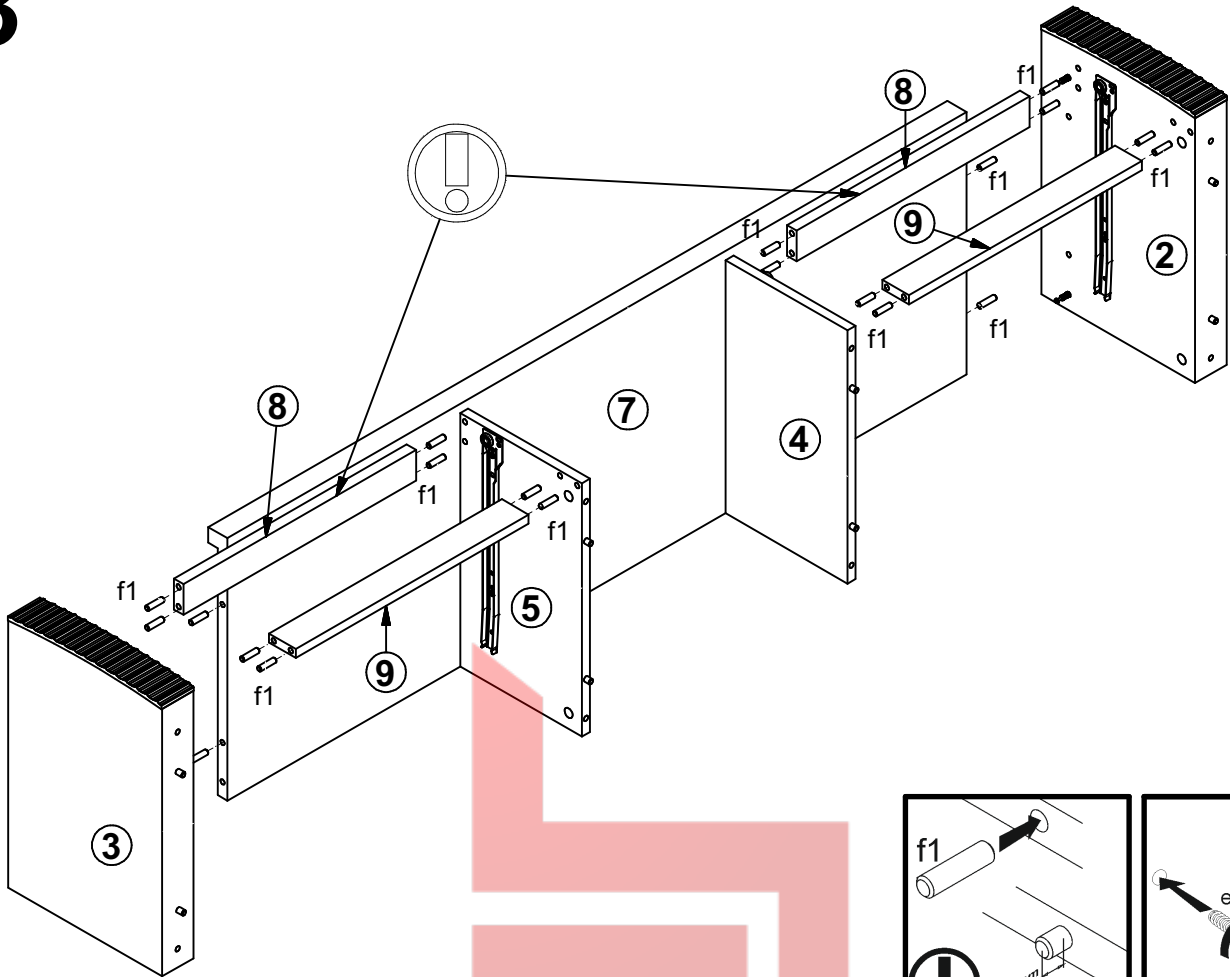
1



2



3



4

