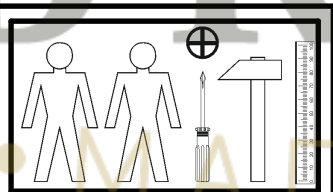
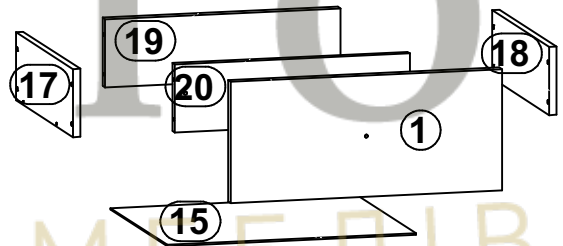
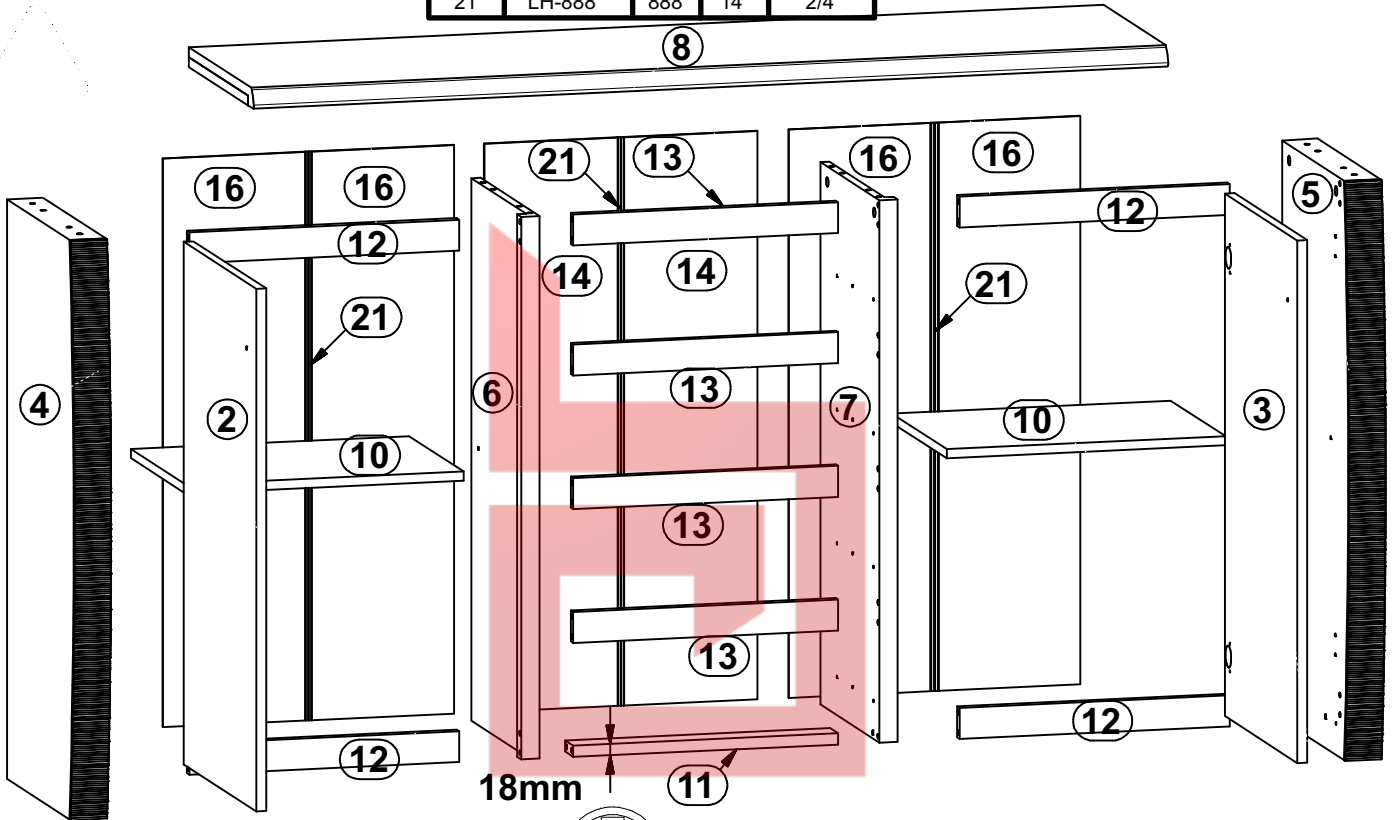
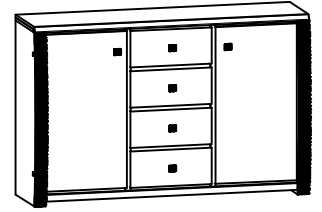


# SENEGAL

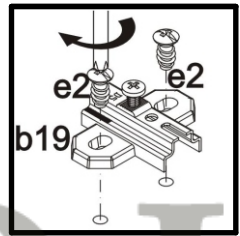
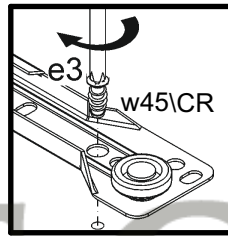
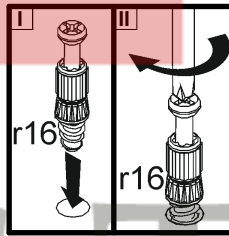
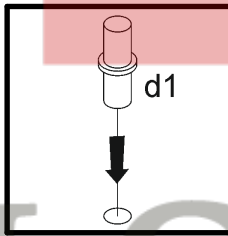
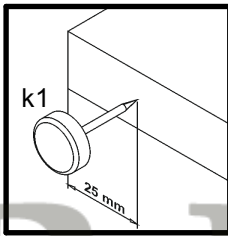
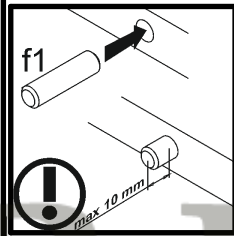
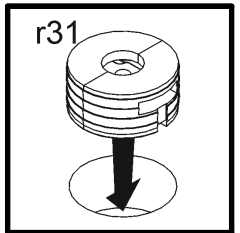
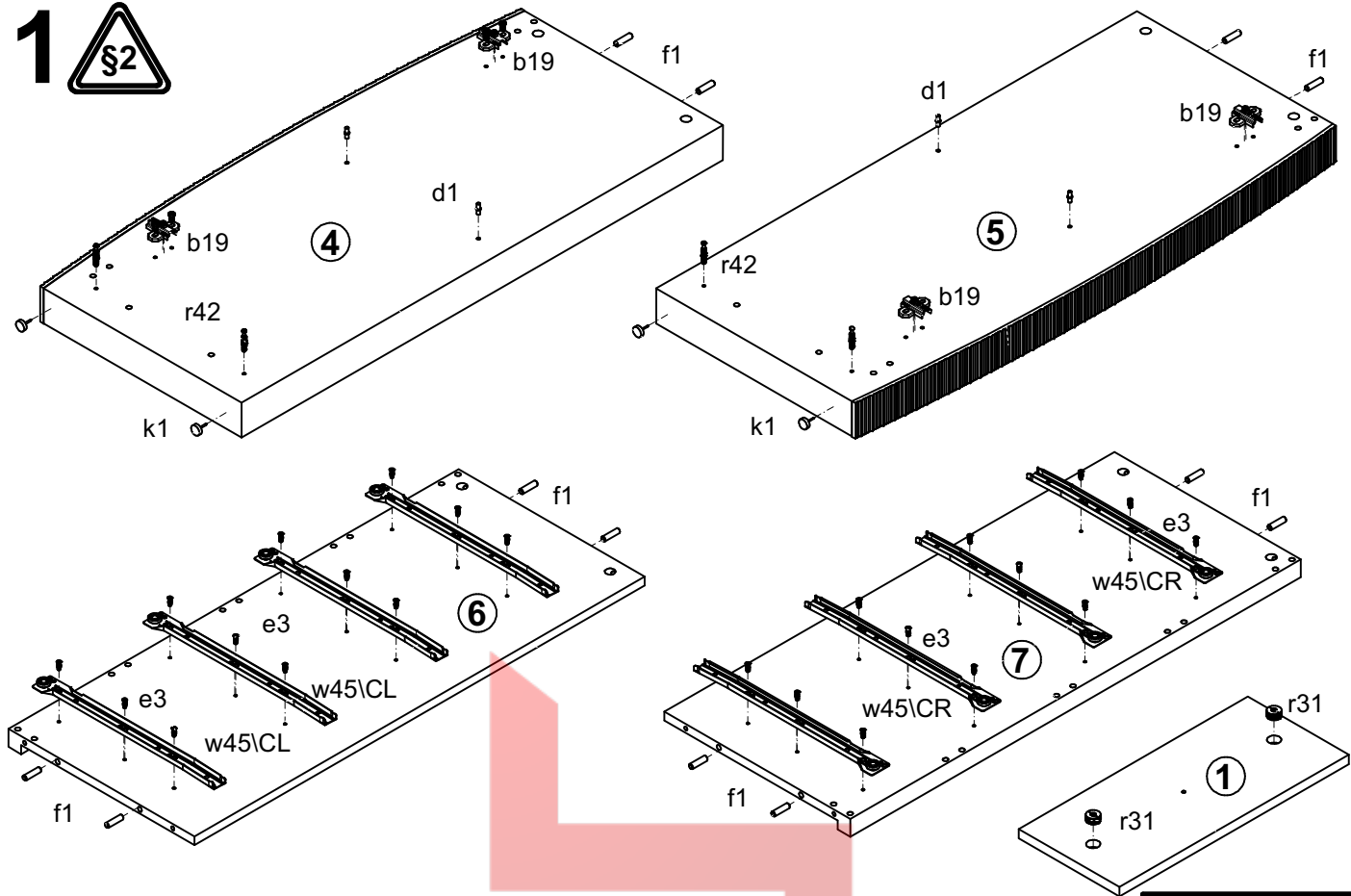
# S175-KOM2D4S

A	B	C		D	A	B	C		D
1	S175-004	446	196	4/4	11	S175-4403	436	50	2/4
2	S175-0005	844	448	4/4	12	S175-4404	444	50	2/4
3	S175-0008	844	448	4/4	13	S175-4405	436	50	2/4
4	S175-1105	936	414	1/4	14	S175-9905	918	225	2/4
5	S175-1106	936	414	1/4	15	S175-9906	409	348	2/4
6	S175-1107	876	362	1/4	16	S175-9907	918	261	2/4
7	S175-1108	876	362	1/4	17	ZT3-501	350	110	3/4
8	S175-2203	1508	394	2/4	18	ZT3-502	350	110	3/4
9	S175-3304	1388	377	2/4	19	ZT3-509	387	110	3/4
10	S175-3305	459	336	2/4	20	ZT3-510	387	110	3/4
					21	LH-888	888	14	2/4

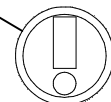
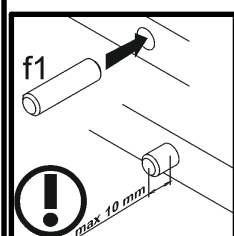
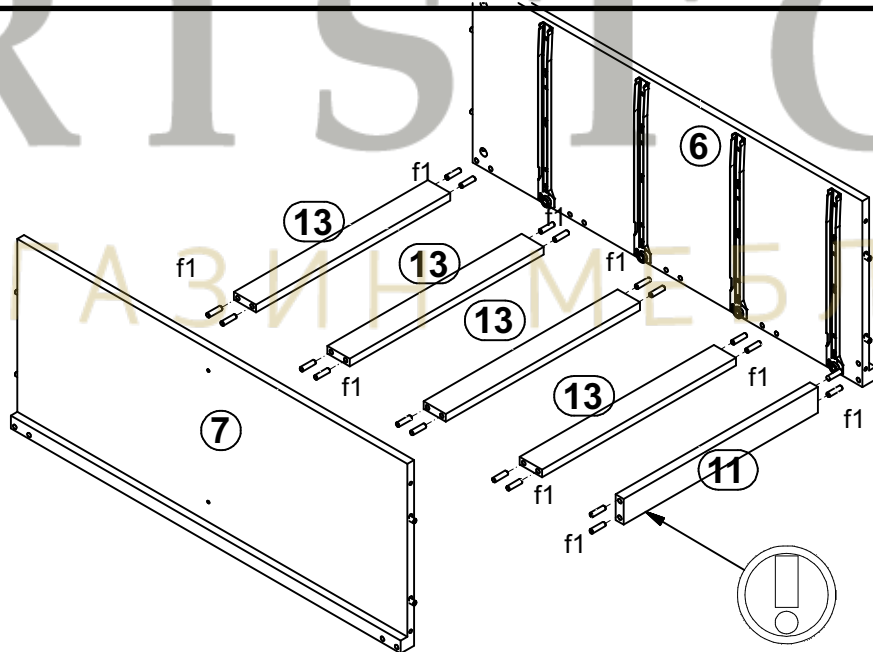


4x  a43	4x  b19	6x  c295l1	6x  c295l2	8x  d1	4x  e1	16x  e19	8x  e2	24x  e3
32x  e32	52x  f1	6x  j60	8x  j8	4x  k1	2x  k2l1	2x  k2l2	100x  l1	24x  p38
8x  p51	12x  r1	8x  r31	12x  r42	4x  w45lCL	4x  w45lCR	4x  w45lDL	4x  w45lDR	1x  z1
1x  n26l1	1x  p38	4x  s51						

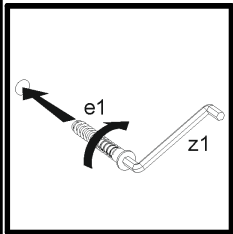
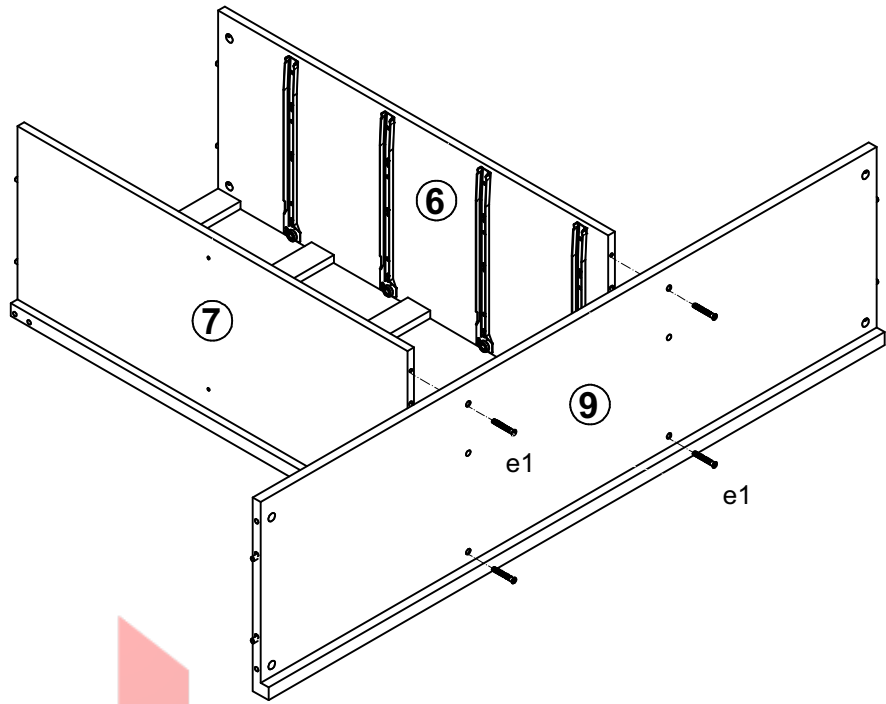
# 1



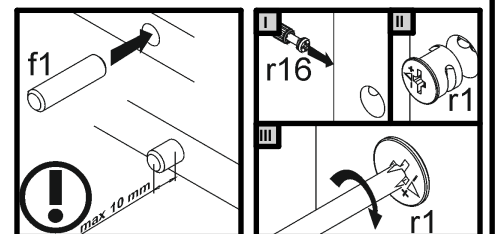
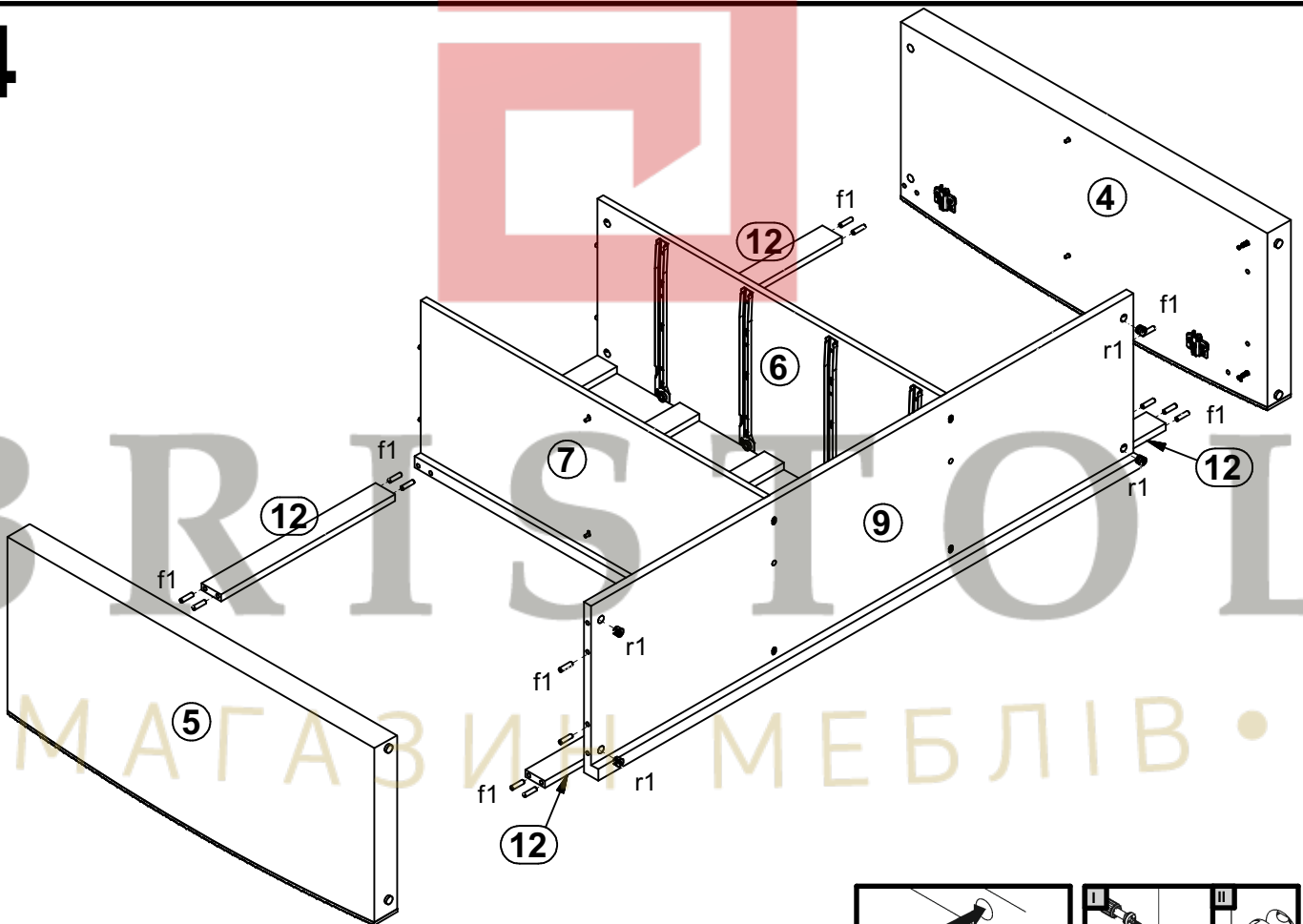
# 2



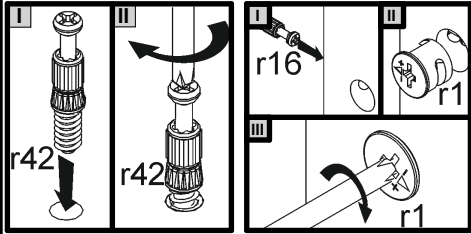
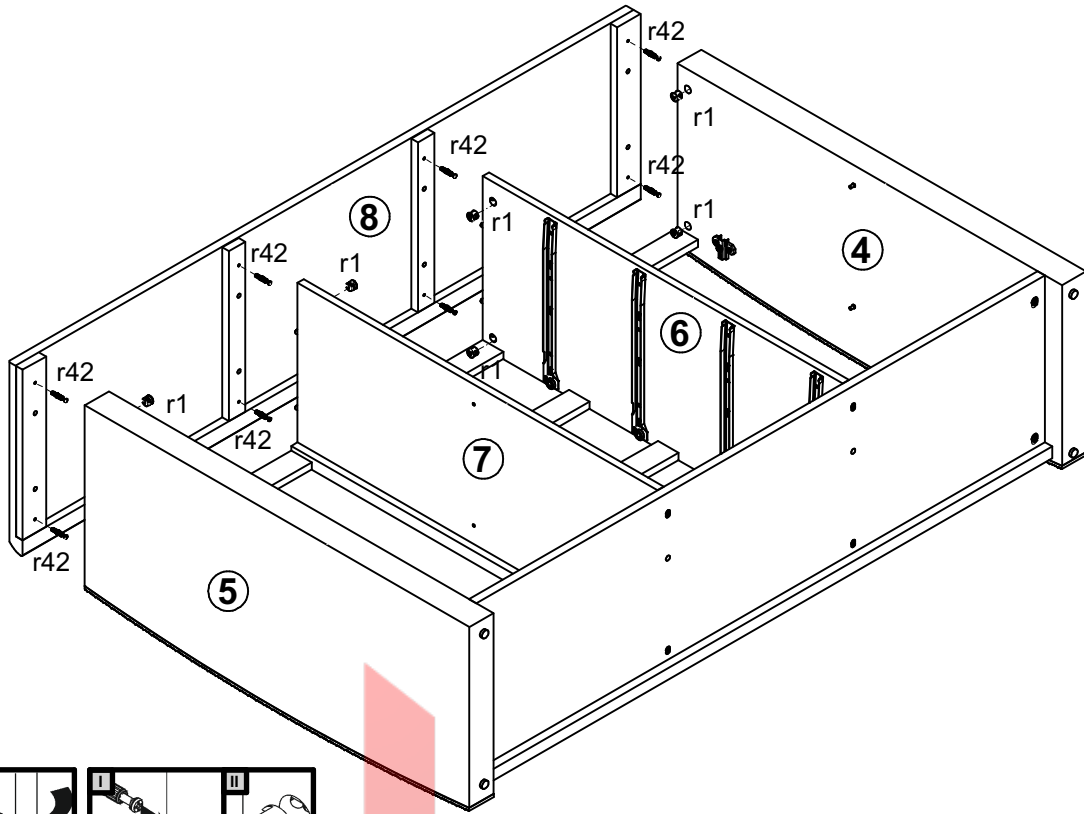
# 3



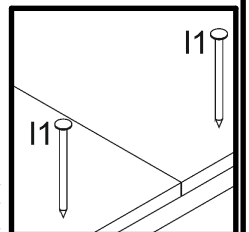
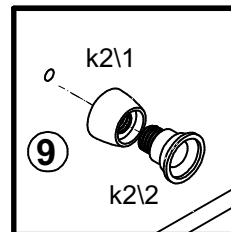
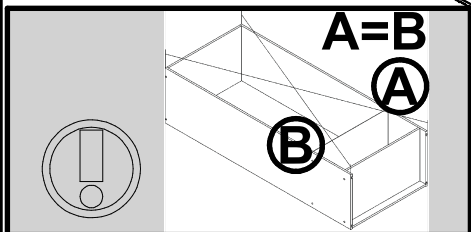
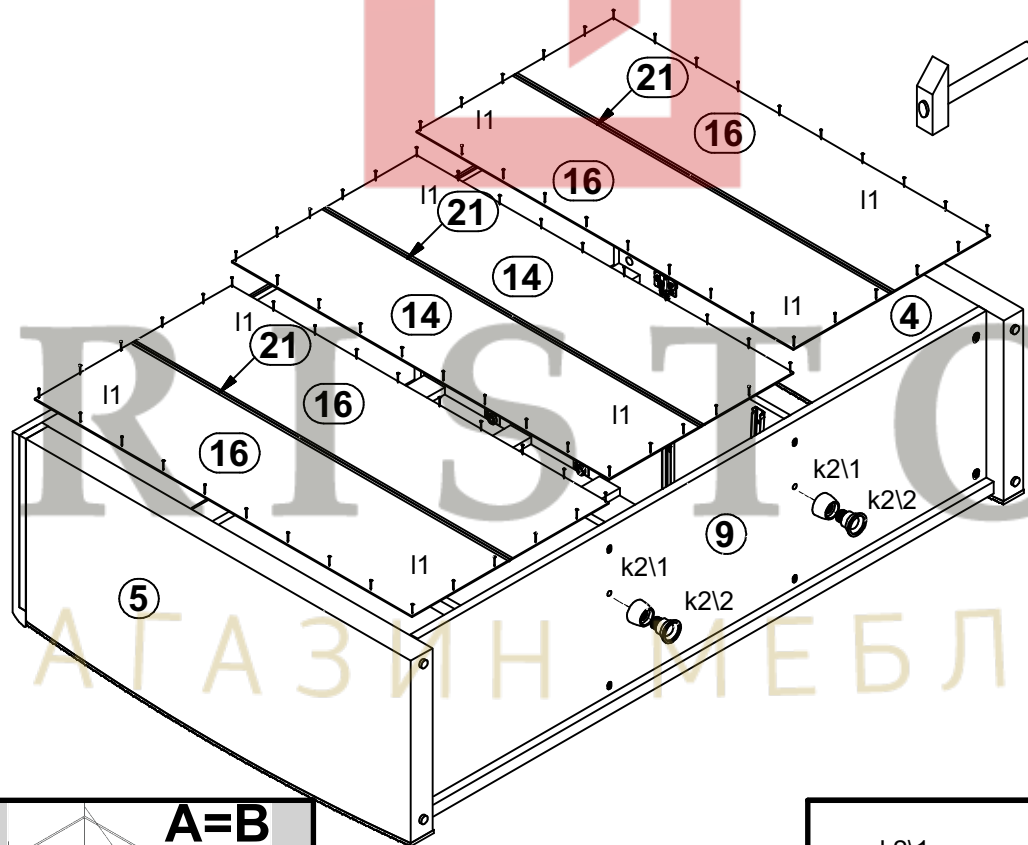
# 4



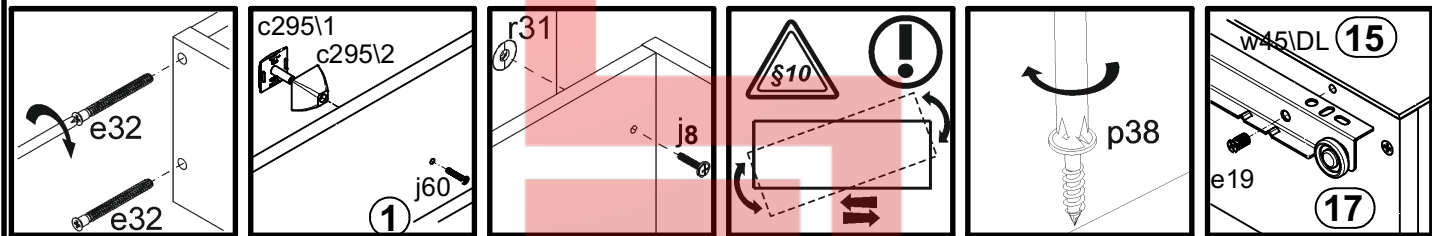
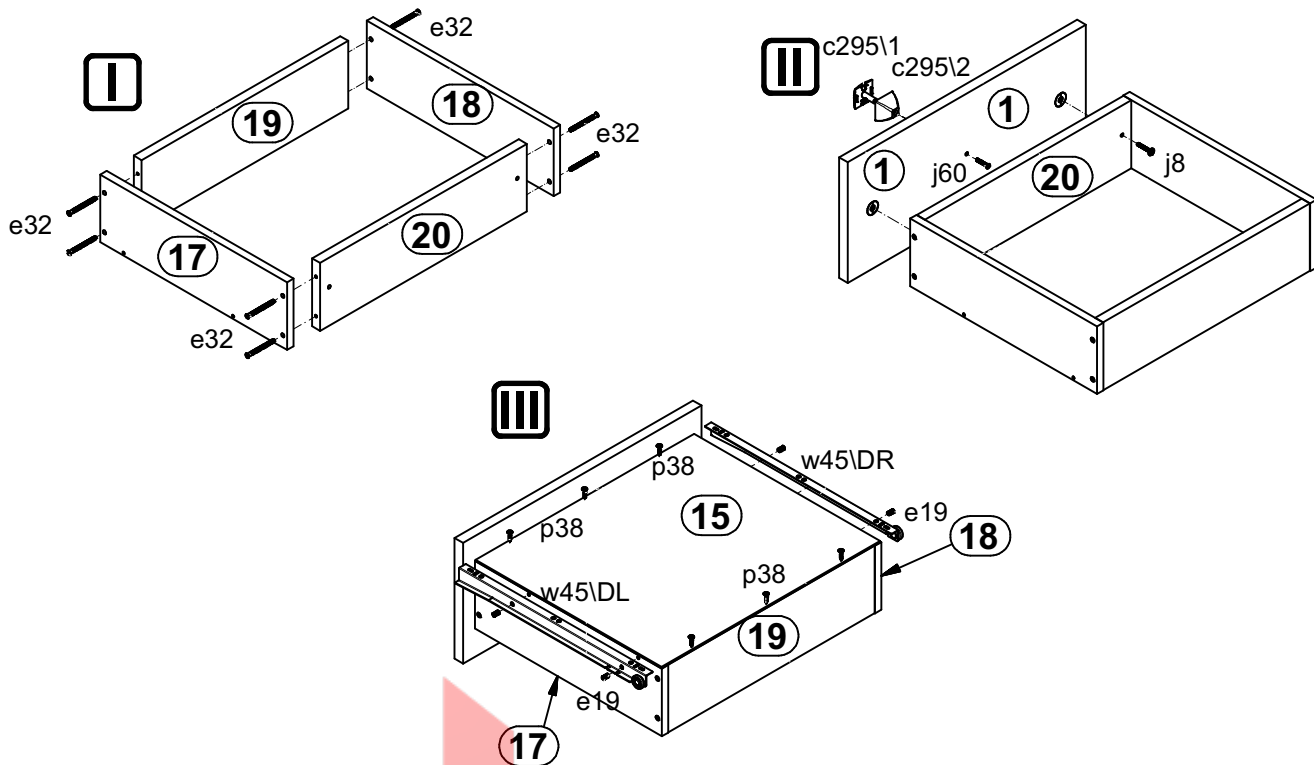
# 5



# 6



# 7



# 8

