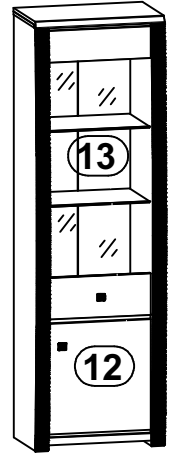
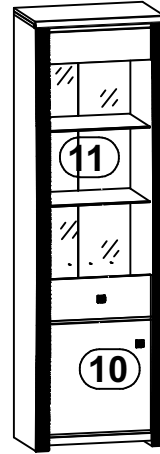
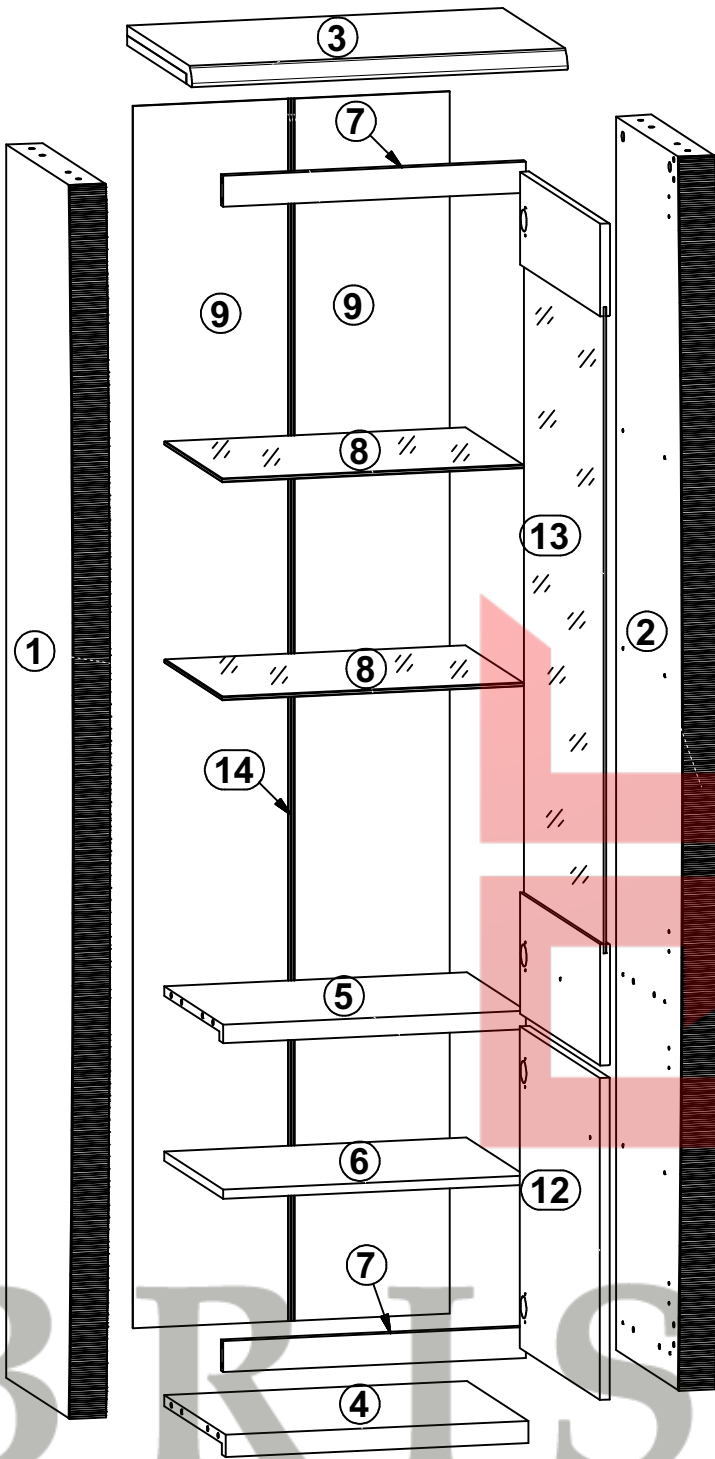


# SENEGAL

# S175-REG1D1W/LP

S175-REG1D1W/L

S175-REG1D1W/P



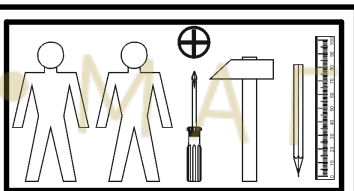
A	B	C	D	
1	S175-1119	1992	414	1/5
2	S175-1120	1992	414	1/5
3	S175-2206	618	394	2/5
4	S175-312	498	377	2/5
5	S175-3313	498	362	2/5
6	S175-3314	497	361	2/5
7	S175-4409	498	50	2/5
8	S175-502	496	354	3/5
9	S175-9911	1974	304	1/5
14	LH-1944	1944	14	1/5

S175-REG1D1W/L

A	B	C	D	
10	S175-006	491	520	4/5
11	S175-010	491	1360	5/5

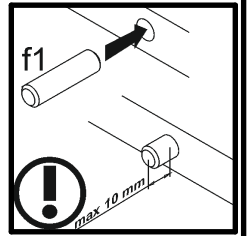
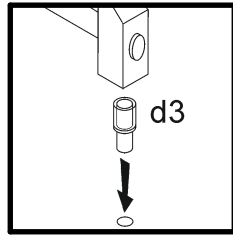
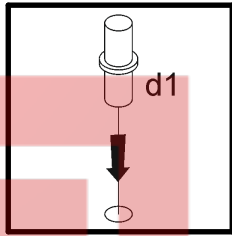
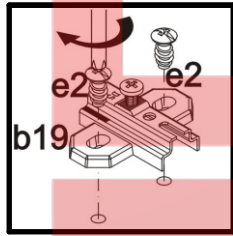
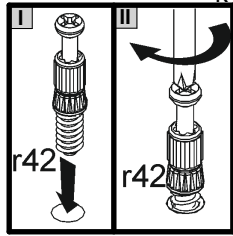
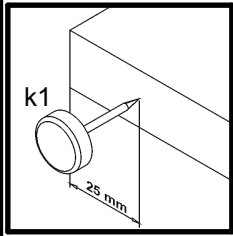
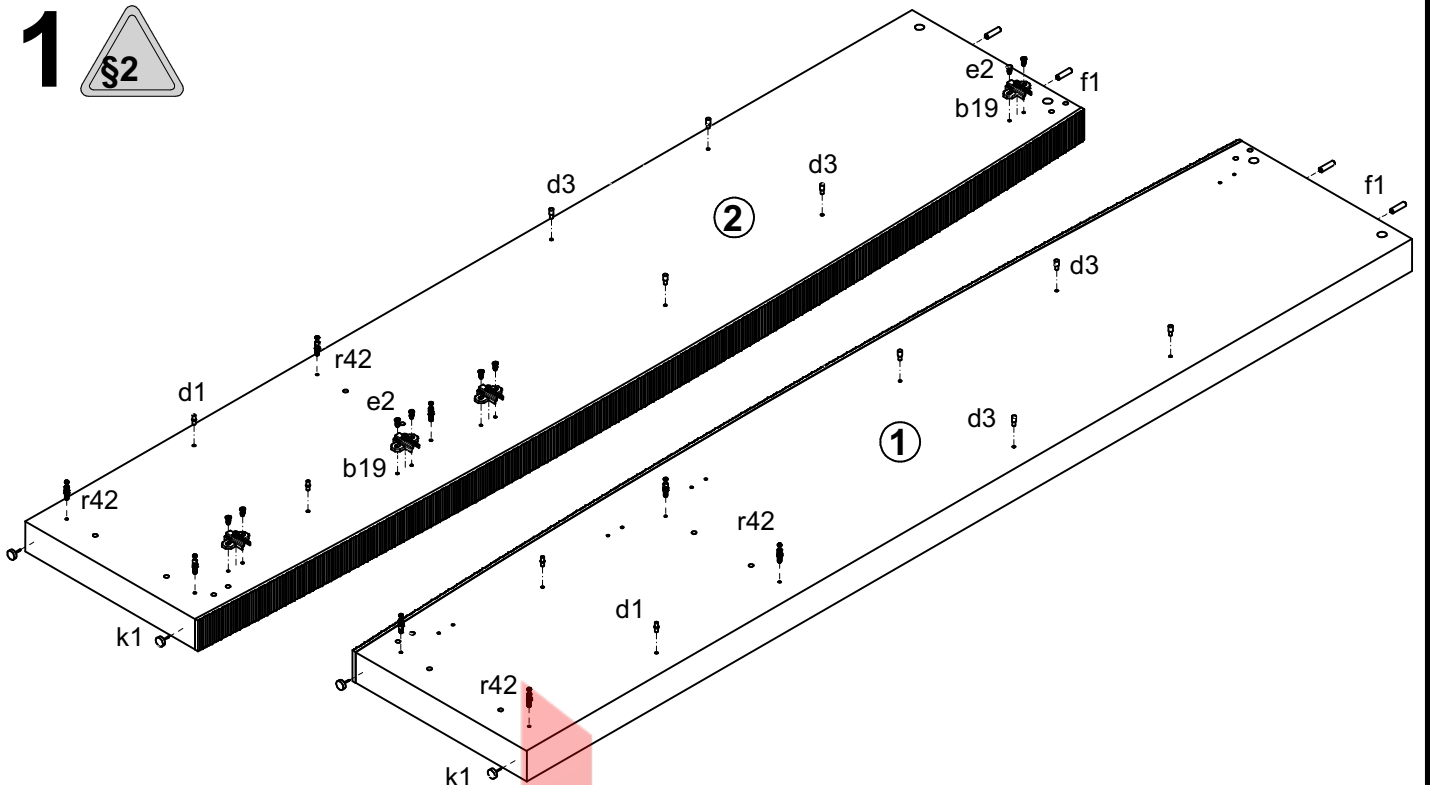
S175-REG1D1W/P

A	B	C	D	
12	S175-007	491	520	4/5
13	S175-009	491	1360	5/5

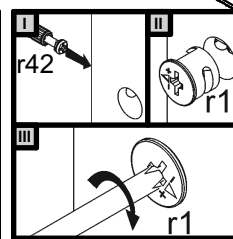
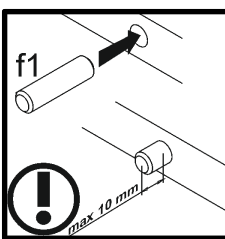
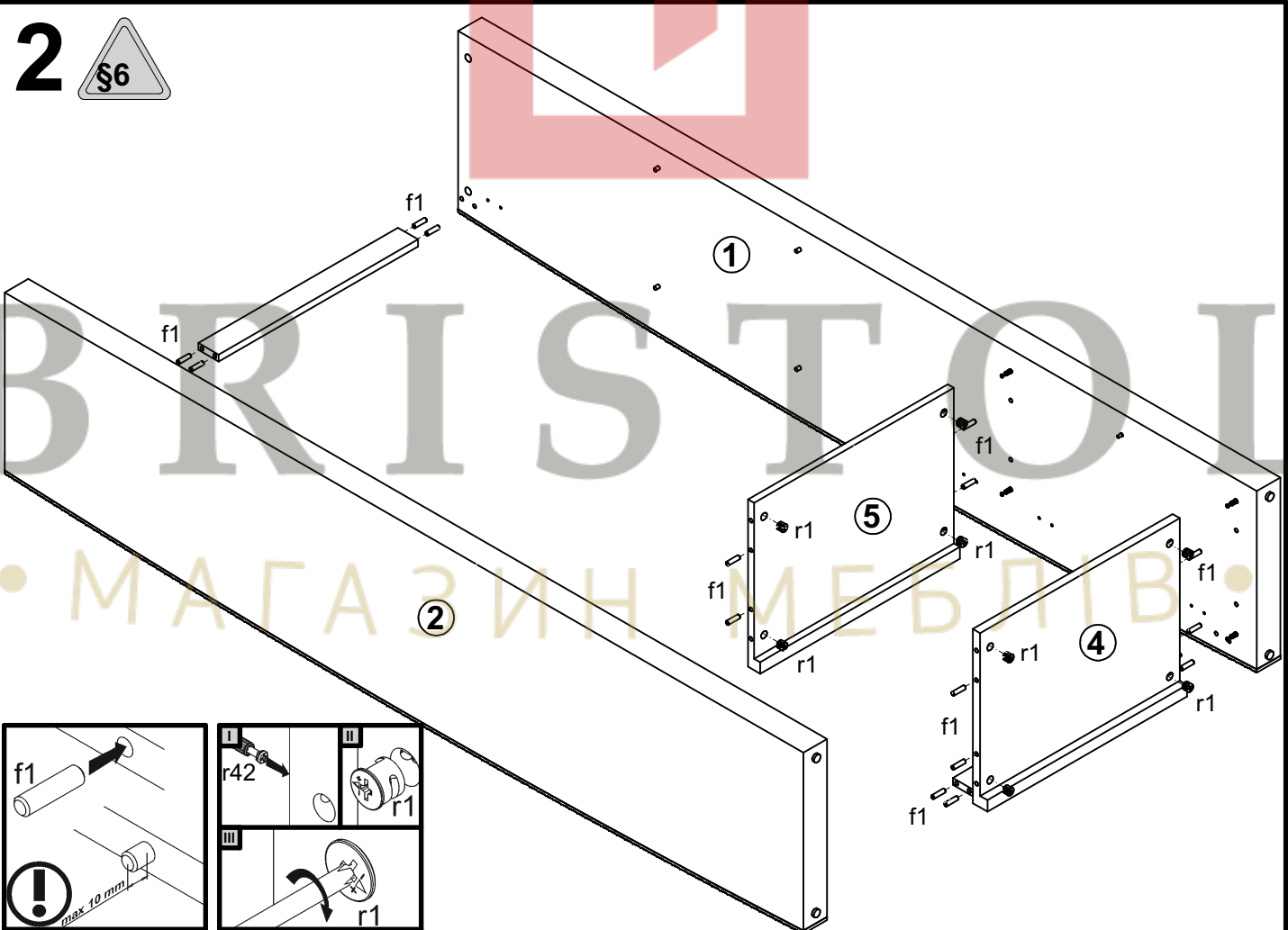


4x a43	4x b19	2x c29511	2x c29512	4x d1 5x17 mm	8x d3 11.5x17 mm	8x e2 11.5x13 mm	20x f1 11.5x30 mm	2x j60 M4x22 mm
4x k1	60x l1	8x p51 11.5x15 mm	12x r1 11.5x12 mm #16	12x r42	1x n2611	1x p38 11.5x16 mm	4x s51 11.5	

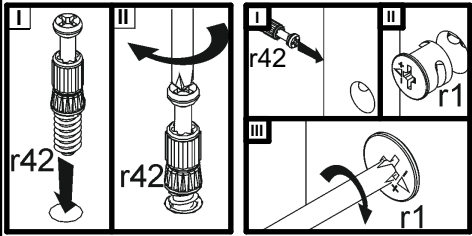
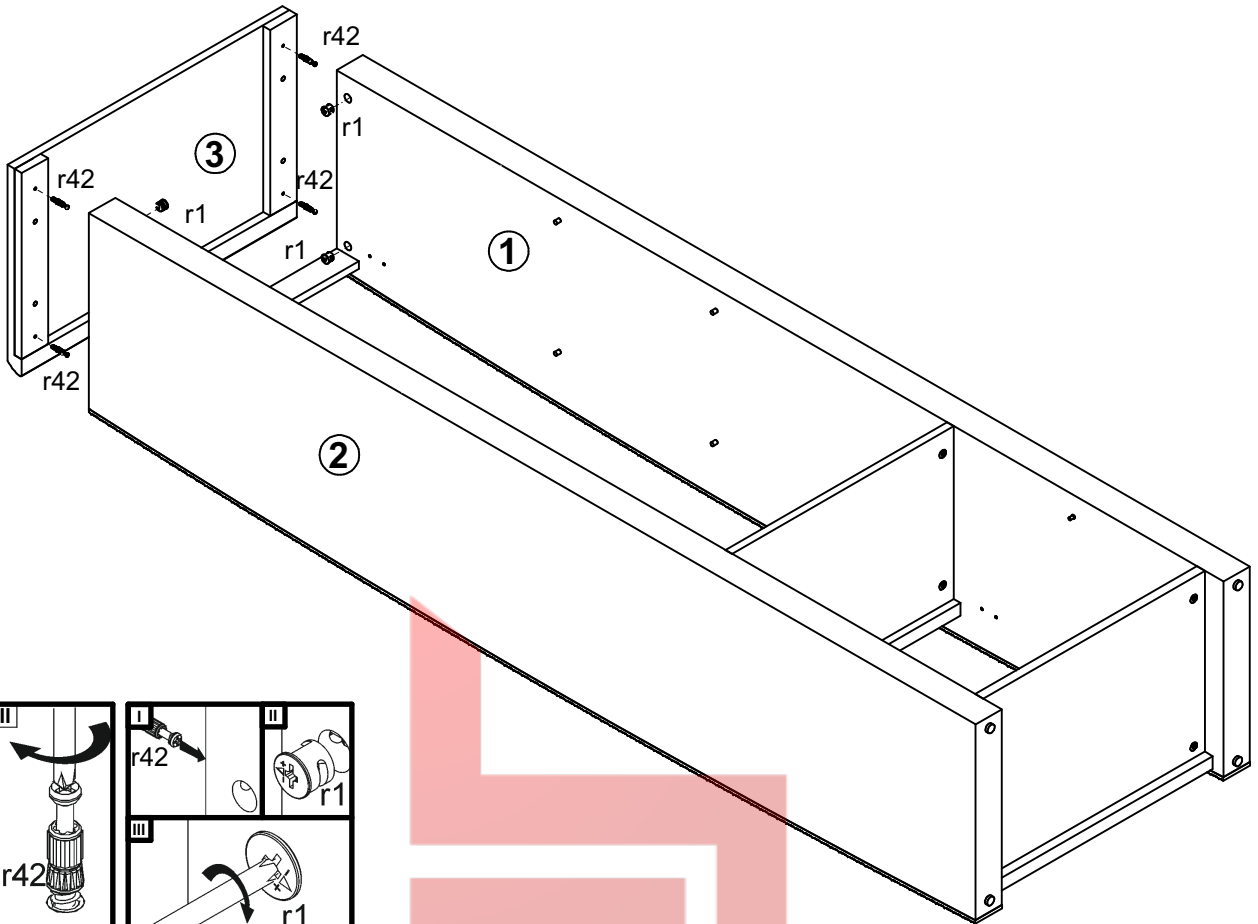
# 1



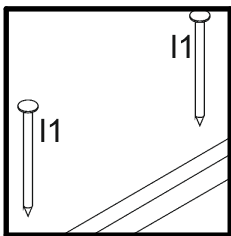
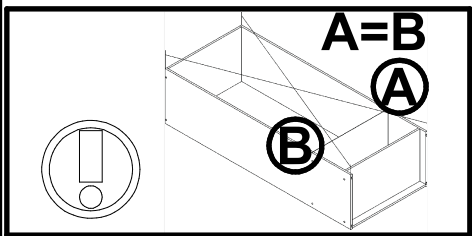
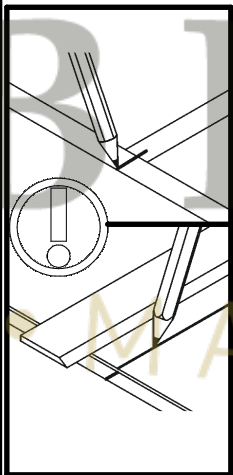
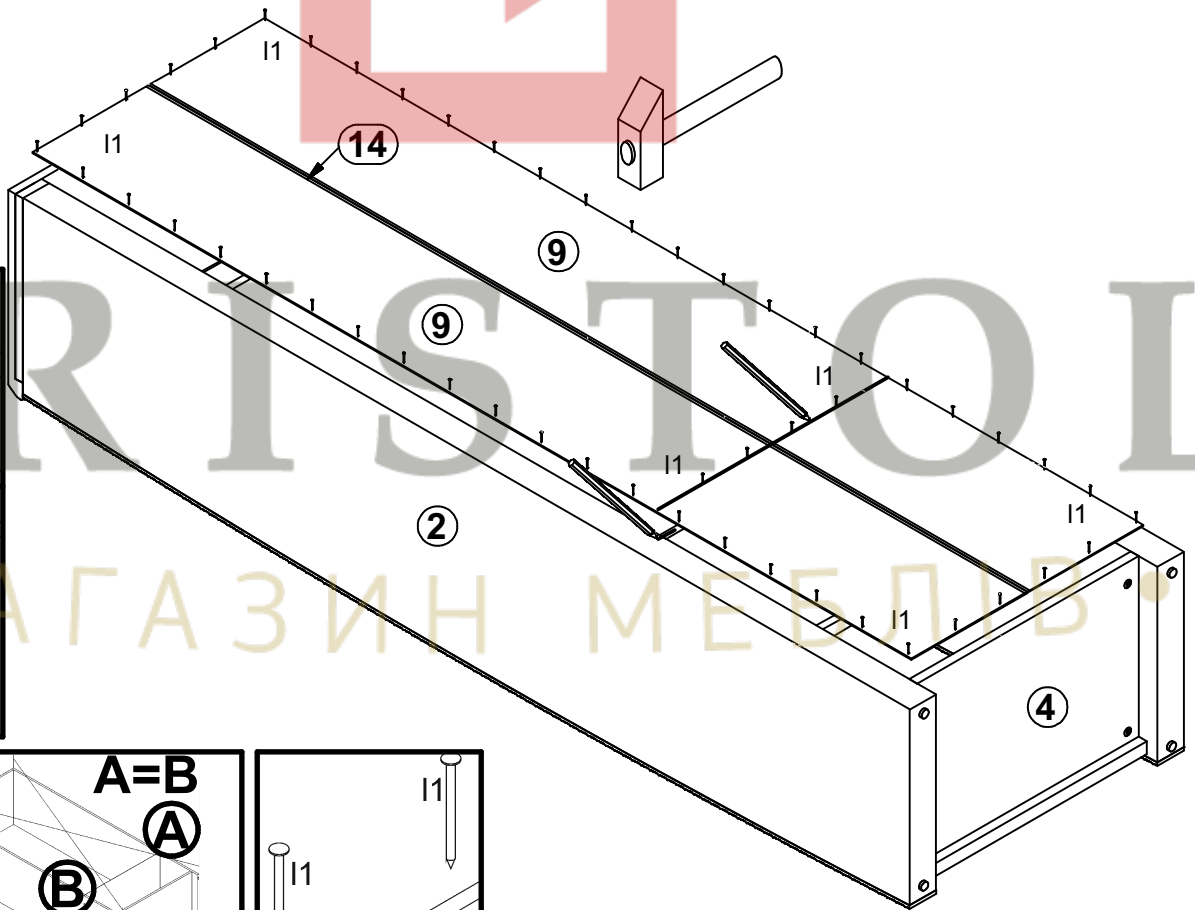
# 2



# 3



# 4



# 5

