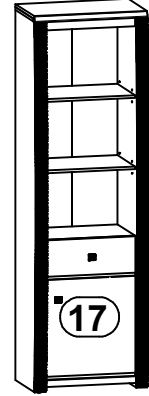
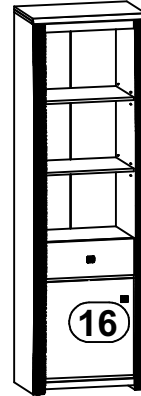
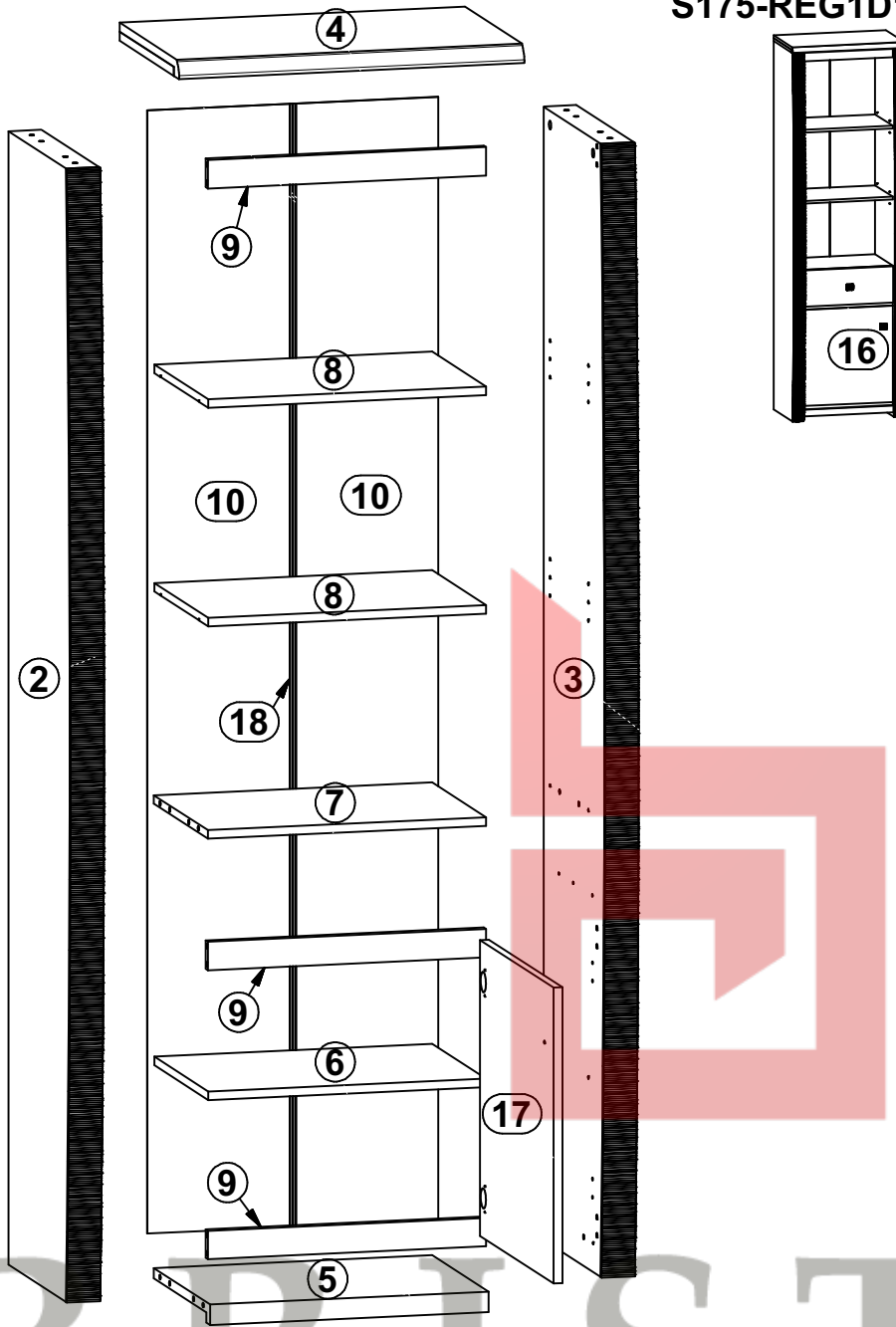


# SENEGAL

# S175-REG1D1S

## S175-REG1D1SL

## S175-REG1D1SP



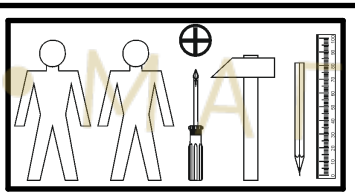
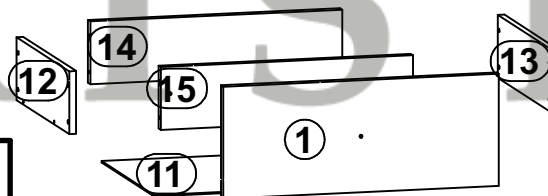
A	B	C	D	
1	S175-011	491	196	4/5
2	S175-1125	1992	414	1/5
3	S175-1126	1992	414	1/5
4	S175-2206	618	394	2/5
5	S175-312	498	377	2/5
6	S175-3314	497	361	2/5
7	S175-3317	498	362	2/5
8	S175-3318	497	361	2/5
9	S175-4409	498	50	2/5
10	S175-9911	1974	304	1/5
11	S175-9913	471	348	2/5
12	ZT3-501	350	110	3/5
13	ZT3-502	350	110	3/5
14	ZT3-511	449	110	3/5
15	ZT3-512	449	110	3/5
18	LH-1944	1944	14	1/5

## S175-REG1D1SL

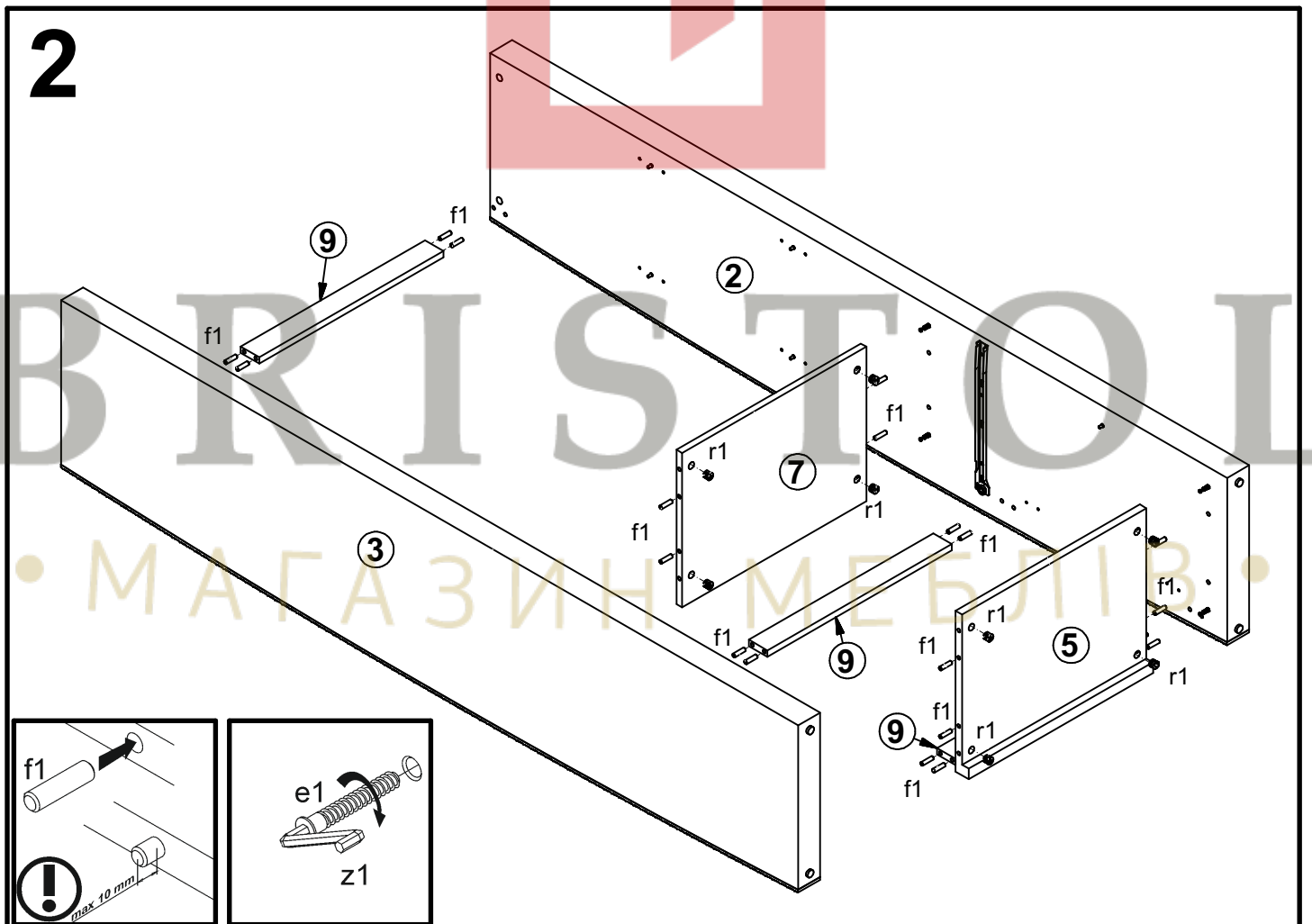
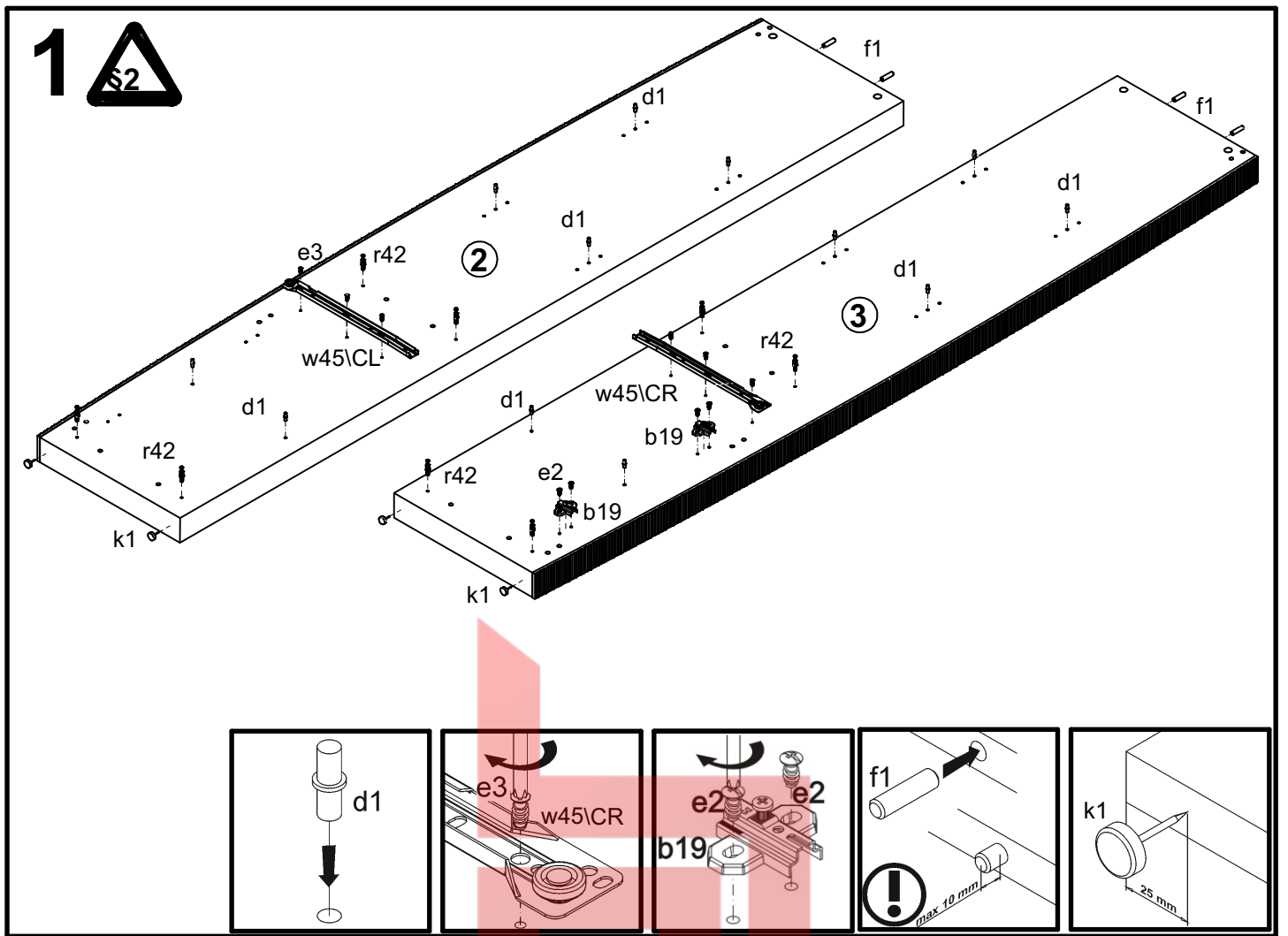
A	B	C	D	
16	S175-006	491	520	5/5

## S175-REG1D1SP

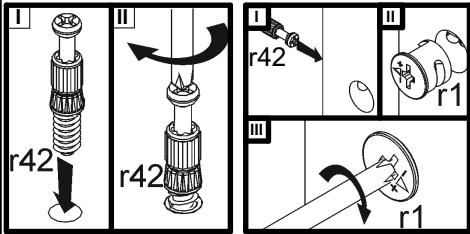
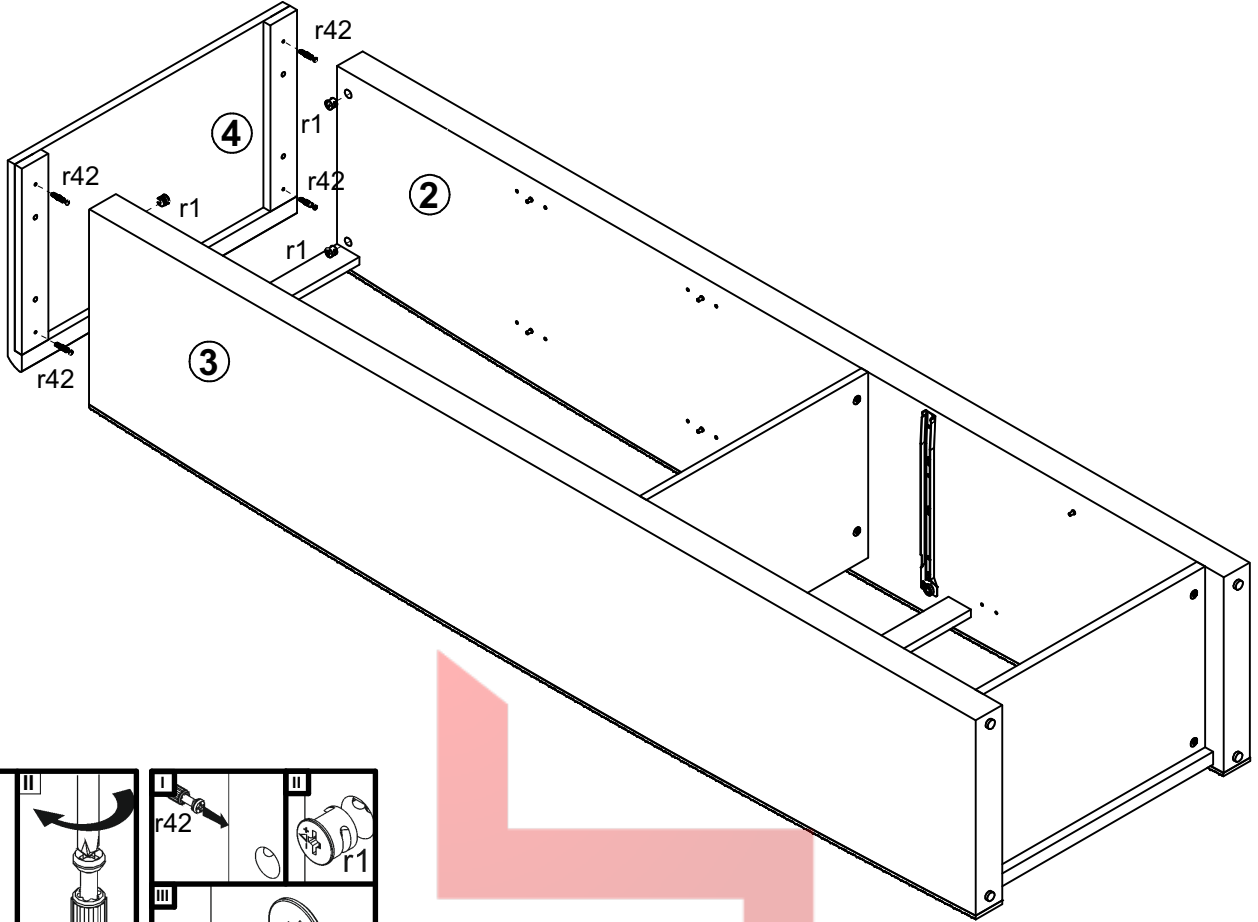
A	B	C	D	
17	S175-007	491	520	5/5



2x  a43	2x  b19	2x  c295\1	2x  c295\2	12x  d1 φ5x17 mm	4x  e19 φ5x9 mm	4x  e2 φ6,3x13 mm	6x  e3 φ6,3x13 mm	1x  p38 φ3,5x16 mm
8x  e32 φ5x50 mm	24x  f1 φ8x30 mm	2x  j60 M4x22 mm	2x  j8 M4x25 mm	4x  k1	55x  l1	6x  p38 φ3,5x16 mm	4x  p51 φ8,5x15 mm	12x  r1 φ1,5x12 mm #16
2x  r31 φ2,1x10 mm	12x  r42	1x  w45\CL 350 mm	1x  w45\CR 350 mm	1x  w45\DL 350 mm	1x  w45\DR 350 mm	1x  n26\1		



# 3



# 4

