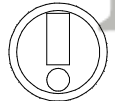
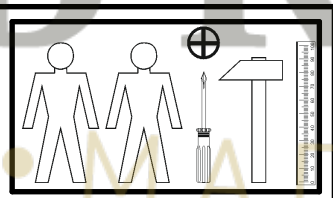
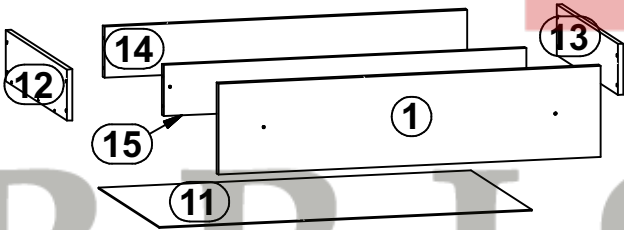
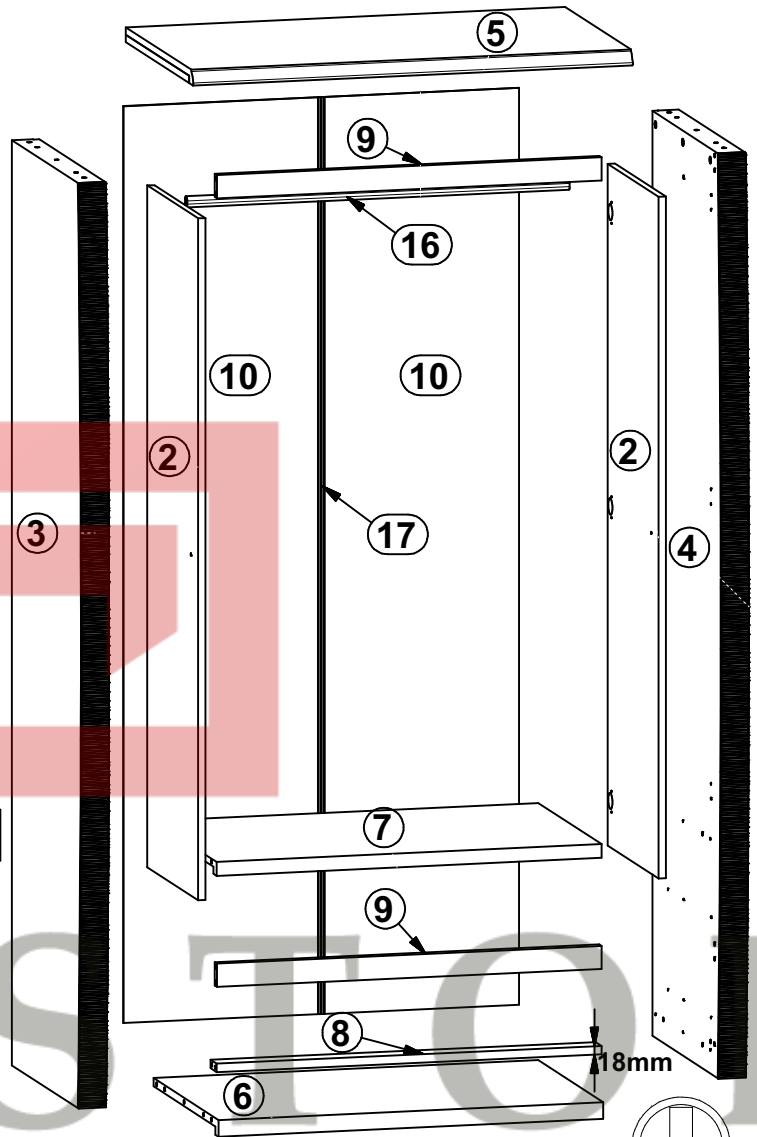
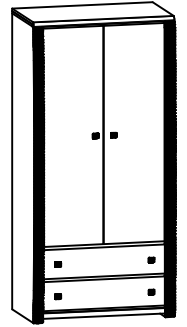


SENEGAL

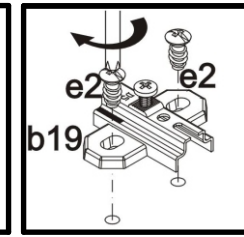
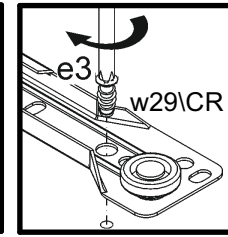
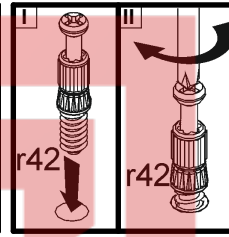
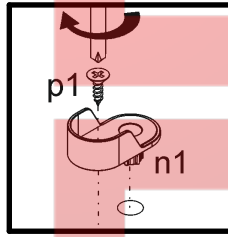
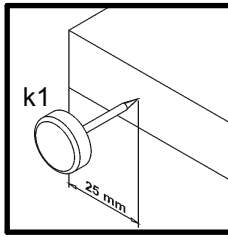
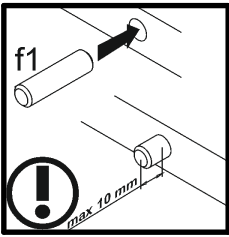
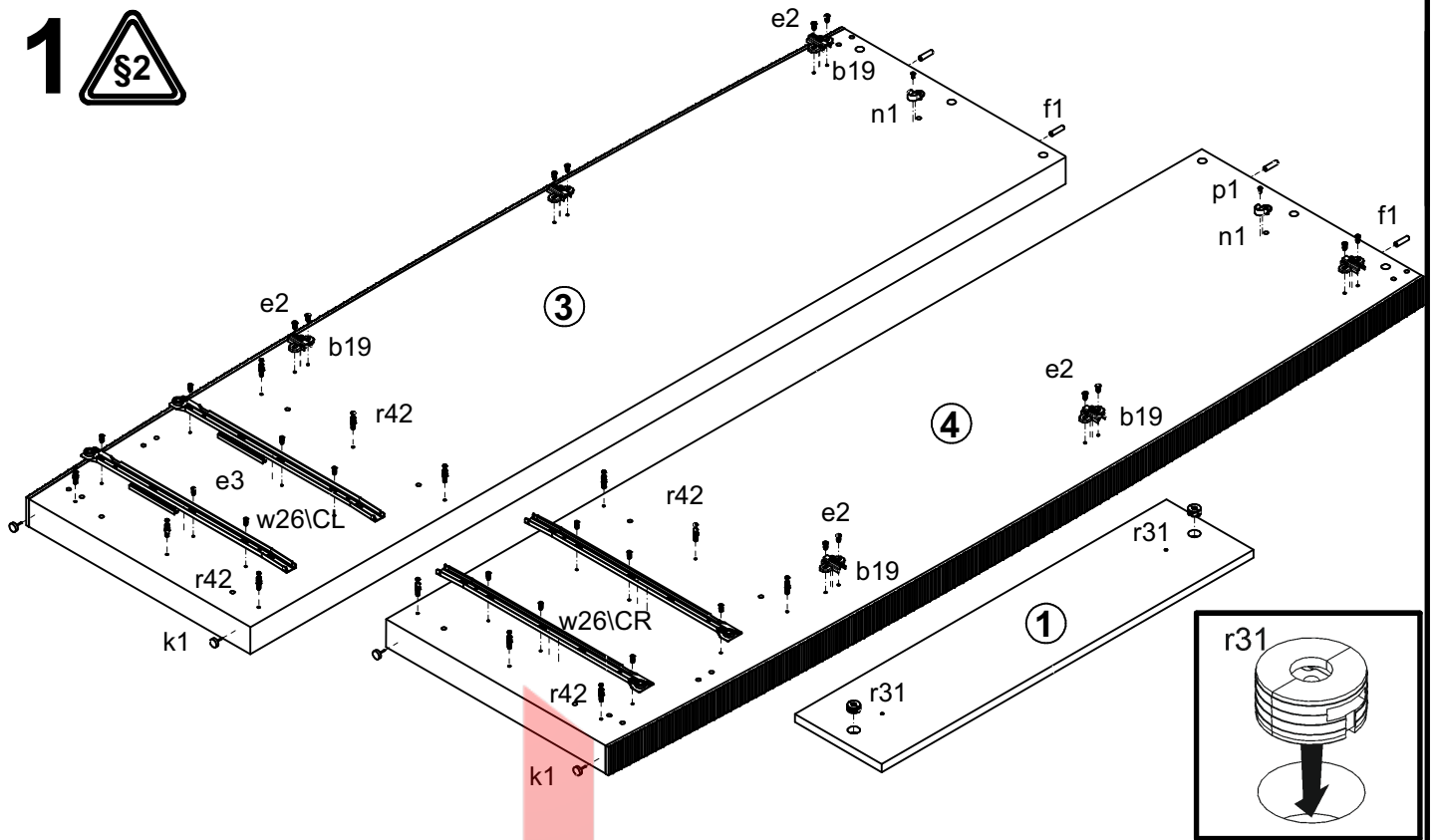
S175-SZF2D2S

A	B	C		D	A	B	C		D
1	S175-002	838	196	4/4	10	S175-9903	1974	477	1/4
2	S175-003	1468	417	4/4	11	S175-9904	817	498	2/4
3	S175-1103	1992	569	1/4	12	ZT3-505	500	110	3/4
4	S175-1104	1992	569	1/4	13	ZT3-506	500	110	3/4
5	S175-2202	964	549	2/4	14	ZT3-507	795	110	3/4
6	S175-302	844	532	2/4	15	ZT3-508	795	110	3/4
7	S175-3303	844	517	2/4	16	dr-839	839	22	2/4
8	S175-4401	844	50	2/4	17	LH-1944	1944	14	1/4
9	S175-4408	844	50	2/4					

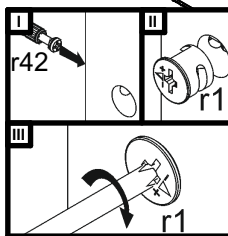
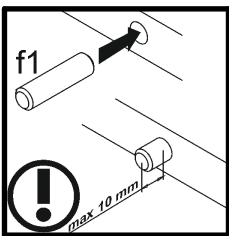
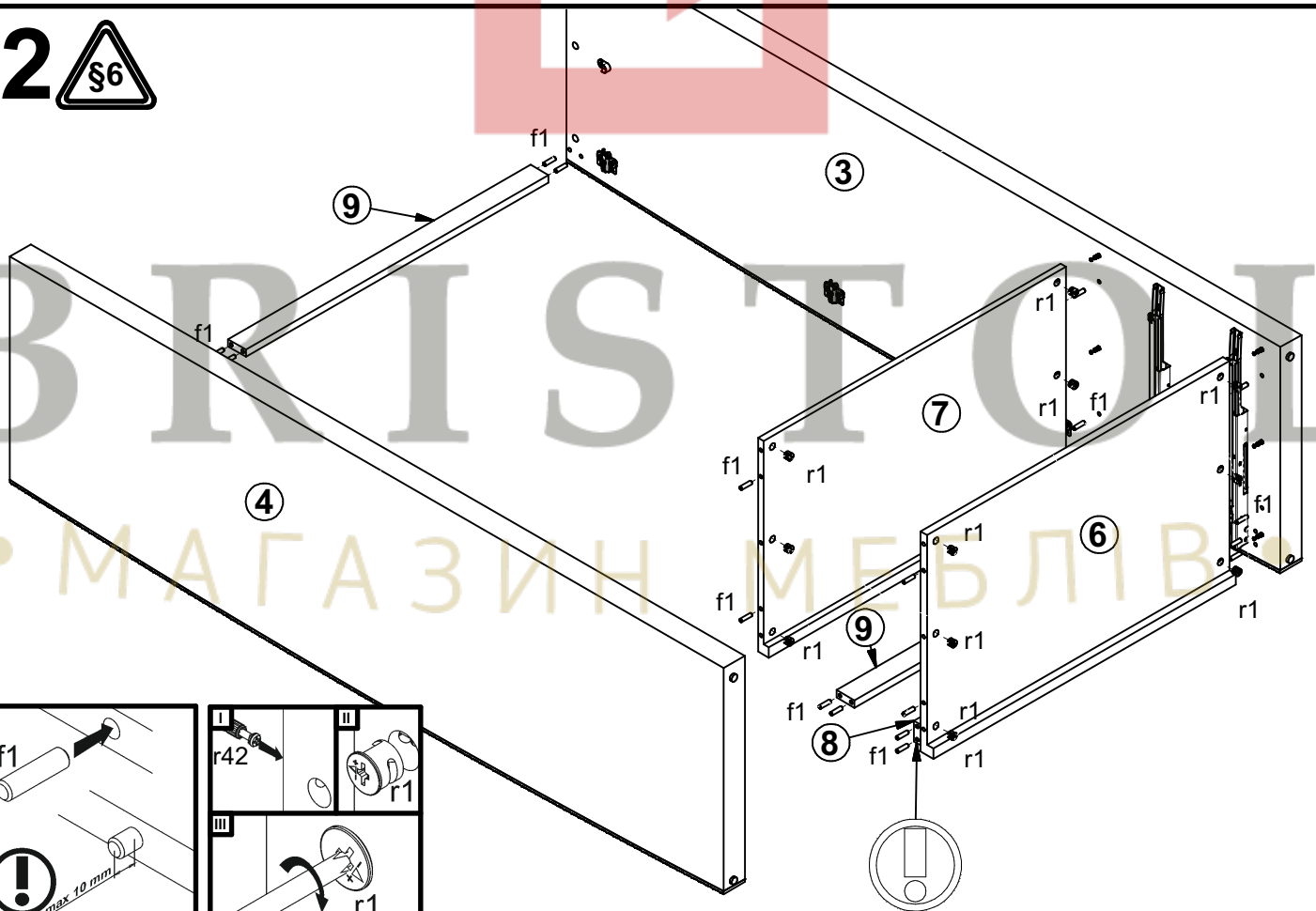


6x a43	6x b19	6x c2951	6x c2952	12x ШБ.х9 mm e19	12x ШБ.3x13 mm e2	12x ШБ.13 mm e3	16x ШБ.х50 mm e32	24x ШБ.х30 mm f1
6x M4x22 mm j60	4x M4x25 mm j8	4x k1	70x l1	2x n1	2x ШБ.5x13 mm p1	2x ШБ.5x16 mm p25	2x ШБ.5x10 mm p35	16x ШБ.5x16 mm p38
12x ШБ.5x15 mm p51	18x ШШ.5x12 mm #16 r1	4x ШШ.2x10 mm r31	18x r42	2x 500 mm t34	2x 500 mm w26\CL	2x 500 mm w26\CR	2x 500 mm w26\DL	2x 500 mm w26\DR
1x n2611	1x ШБ.5x16 mm p38	6x ШШ.5 s51						

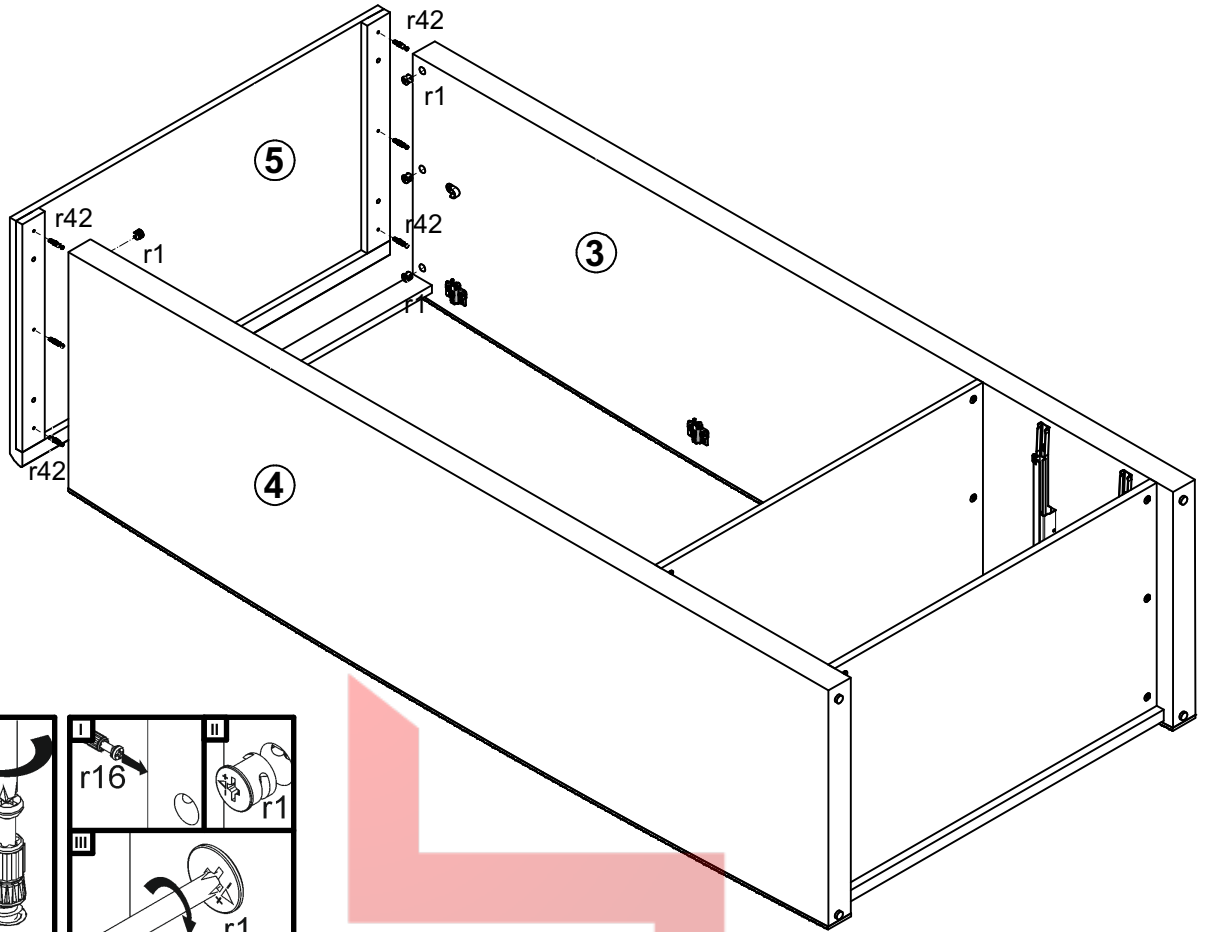
1



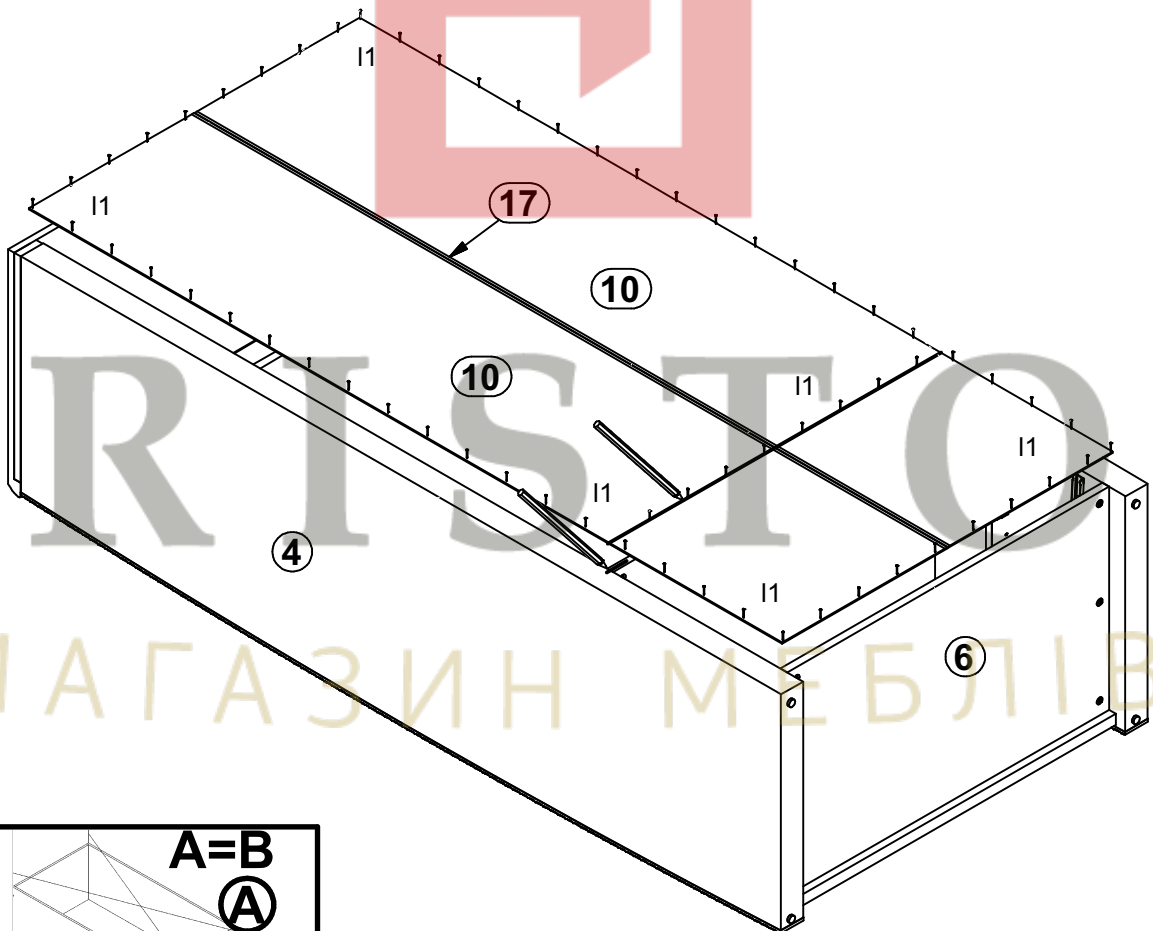
2



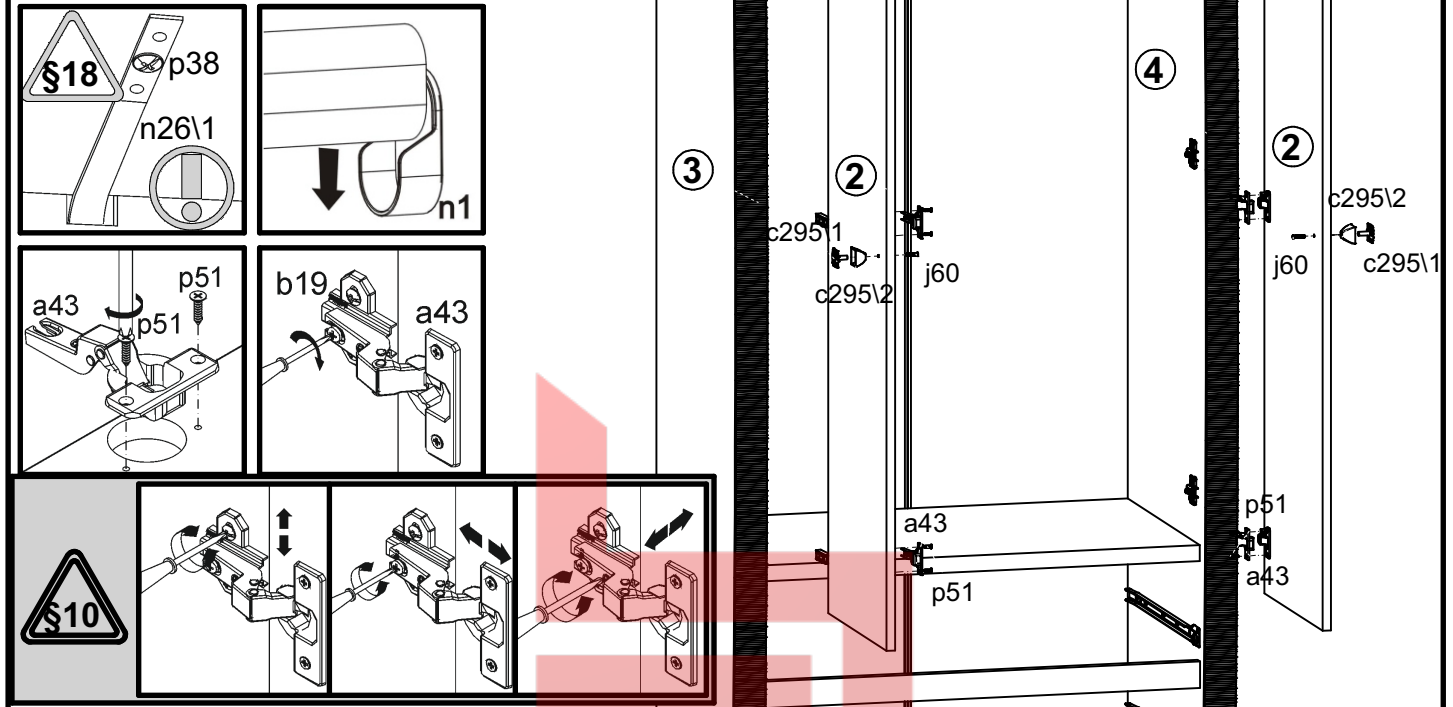
3



4



5



6

