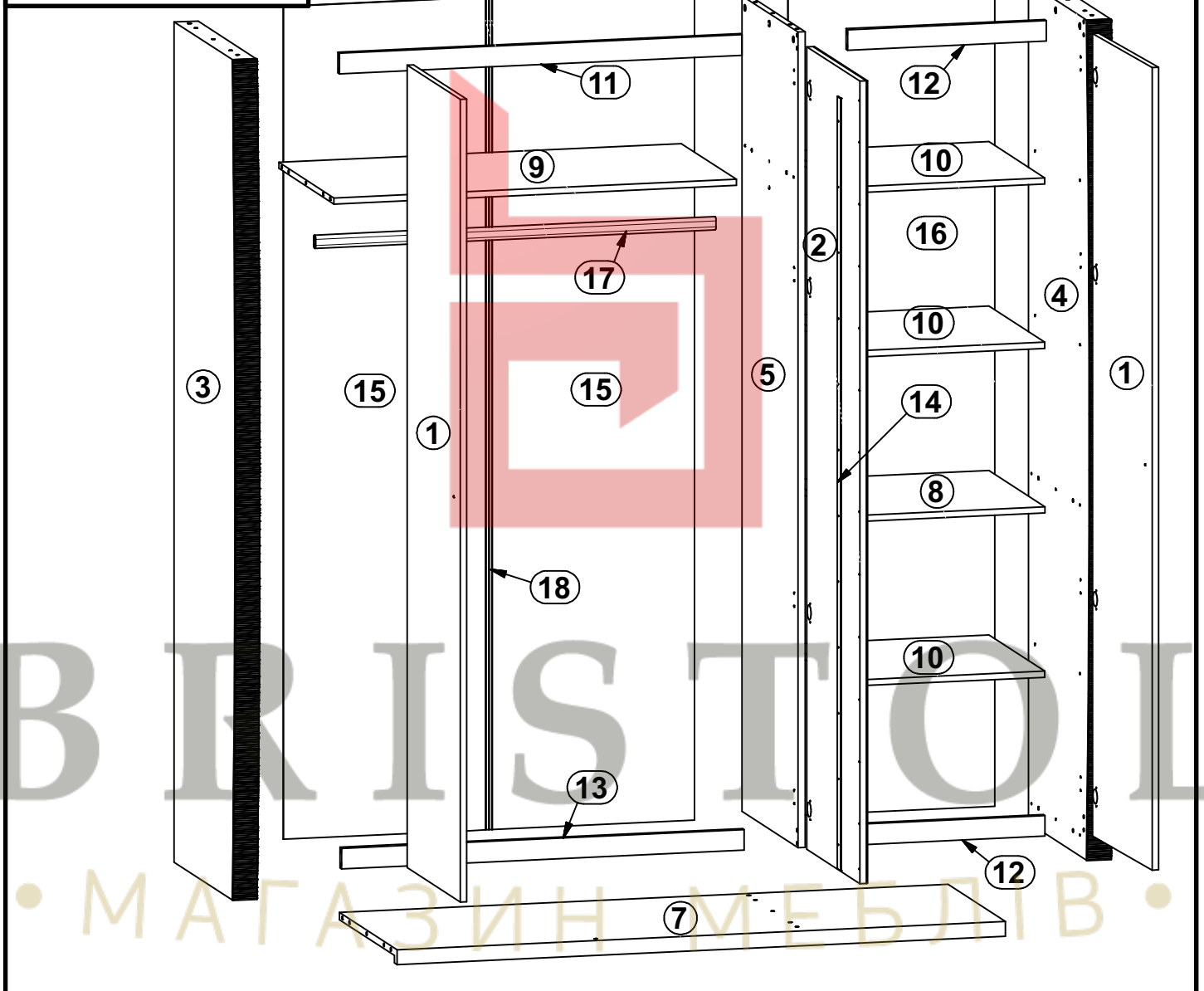
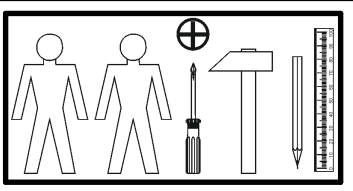


SENEGAL

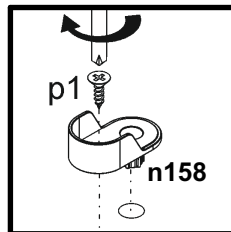
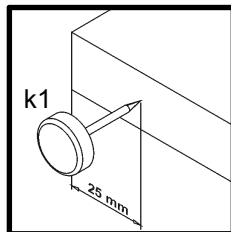
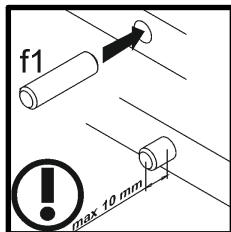
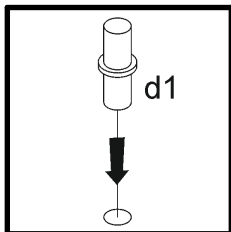
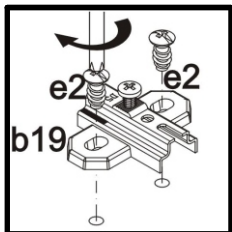
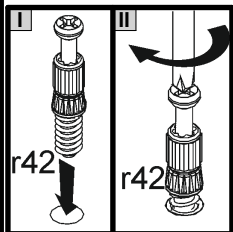
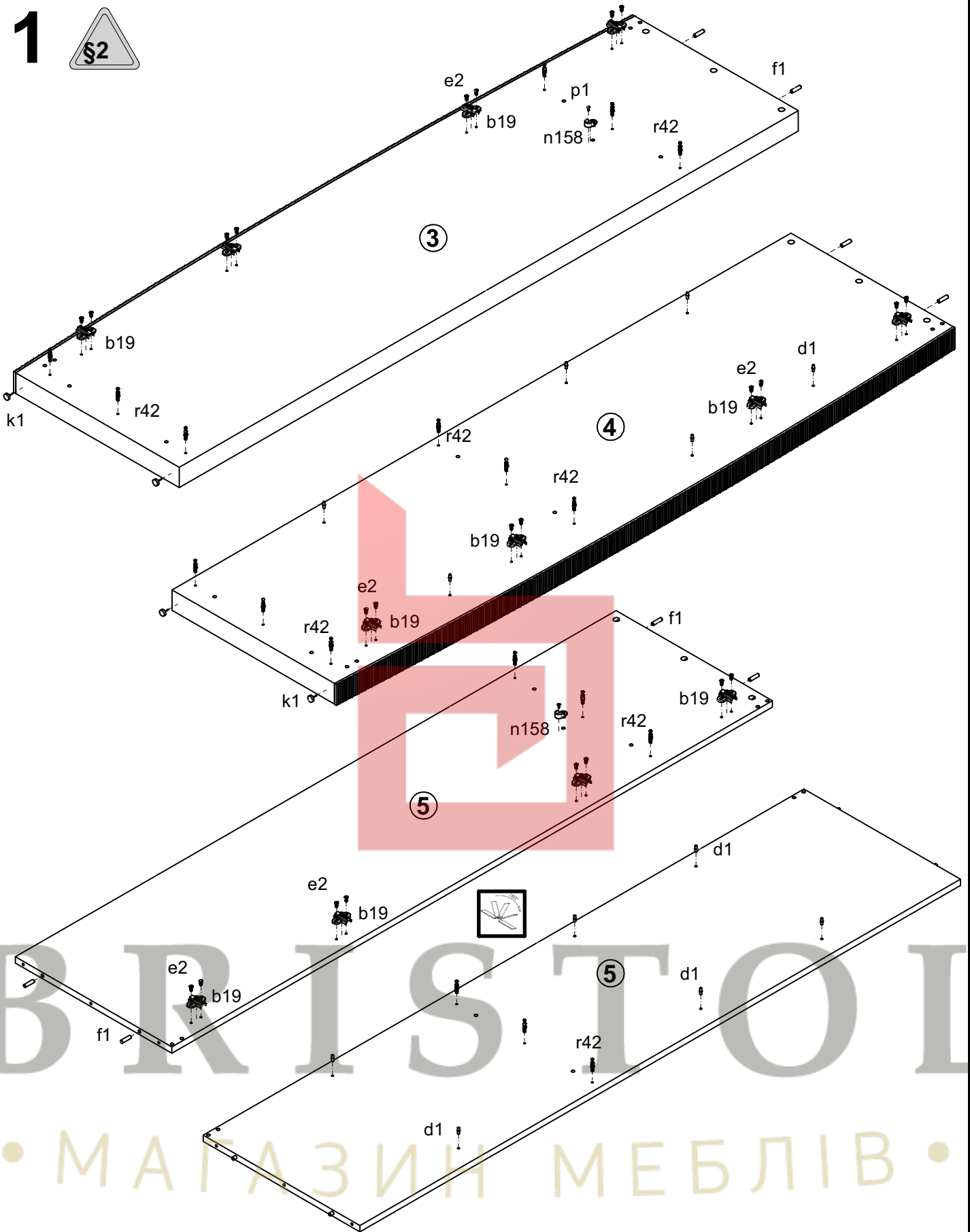
S175-SZF3D

A	B	C	D	A	B	C	D		
1	S175-0015	2072	491	5/5	10	S175-3323	491	516	3/5
2	S175-0016	2072	491	5/5	11	S175-4414	997	50	2/5
3	S175-1160	2164	569	1/5	12	S175-4415	492	50	2/5
4	S175-1161	2164	569	1/5	13	S175-4424	997	50	2/5
5	S175-1162	2104	517	1/5	14	S175-5503	1998	29	1/5
6	S175-2210	1627	549	2/5	15	S175-9920	2146	530	1/5
7	S175-320	1507	532	2/5	16	S175-9921	2146	557	1/5
8	S175-3321	492	517	3/5	17	dr-992	992	30	2/5
9	S175-3322	997	509	3/5	18	Lh-2116	2116	14	1/5

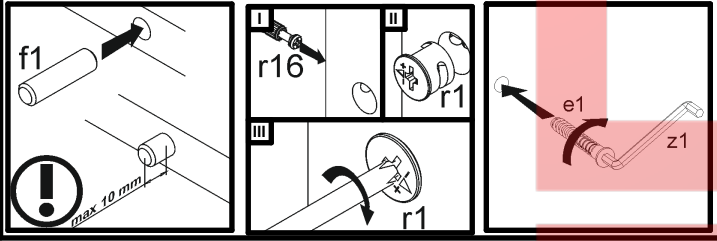
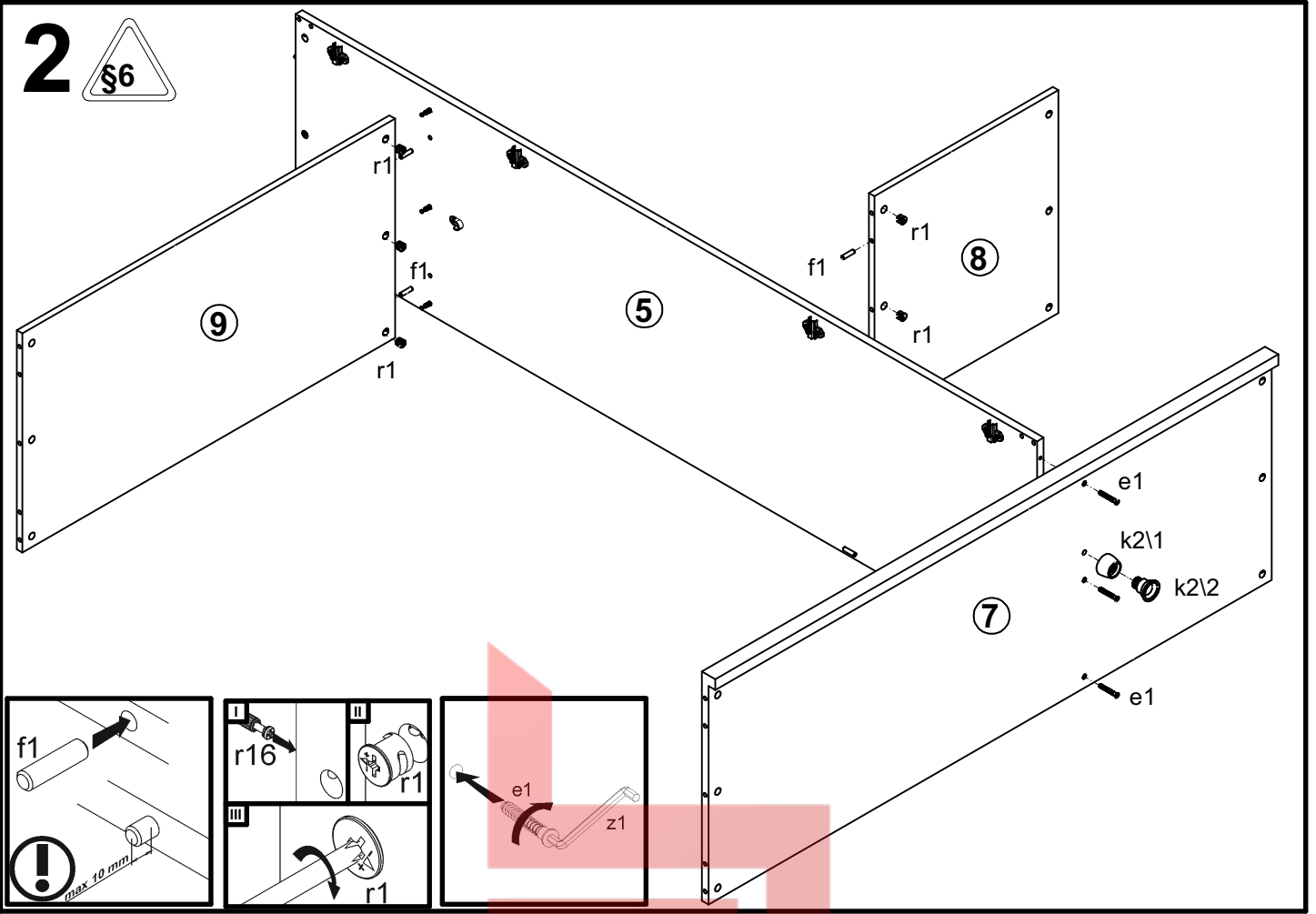


8x a43	12x b19	2x c2951	2x c2952	12x φ5x17 mm d1	3x φ7x50 mm e1	24x φ6,3x13 mm e2	29x φ8x30 mm f1	4x φ8x50 mm f6
2x M4x22 mm j60	4x k1	1x k21	1x k22	130x l1	2x n158	2x φ3,5x13 mm p1	15x φ3,5x16 mm p38	24x φ3,5x15 mm p51
27x φ1,5x12mm #16 r1	27x r42	1x z1	1x n261	4x a68	1x 32x16x15,1 mm n56	2x φ3,5x13 mm p27	6x φ16 s51	9x φ16 s2

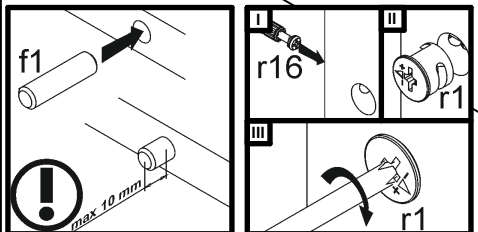
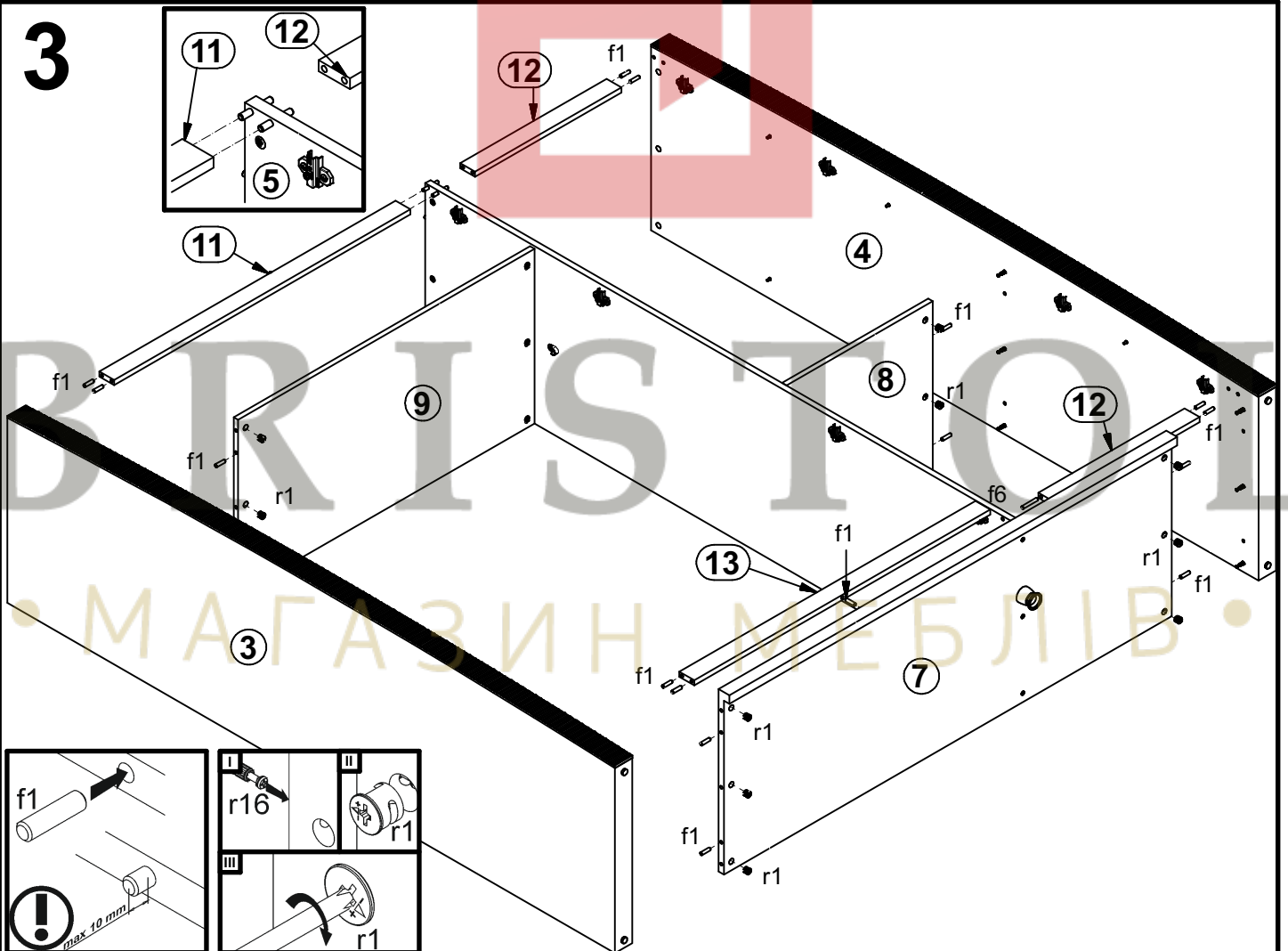
1

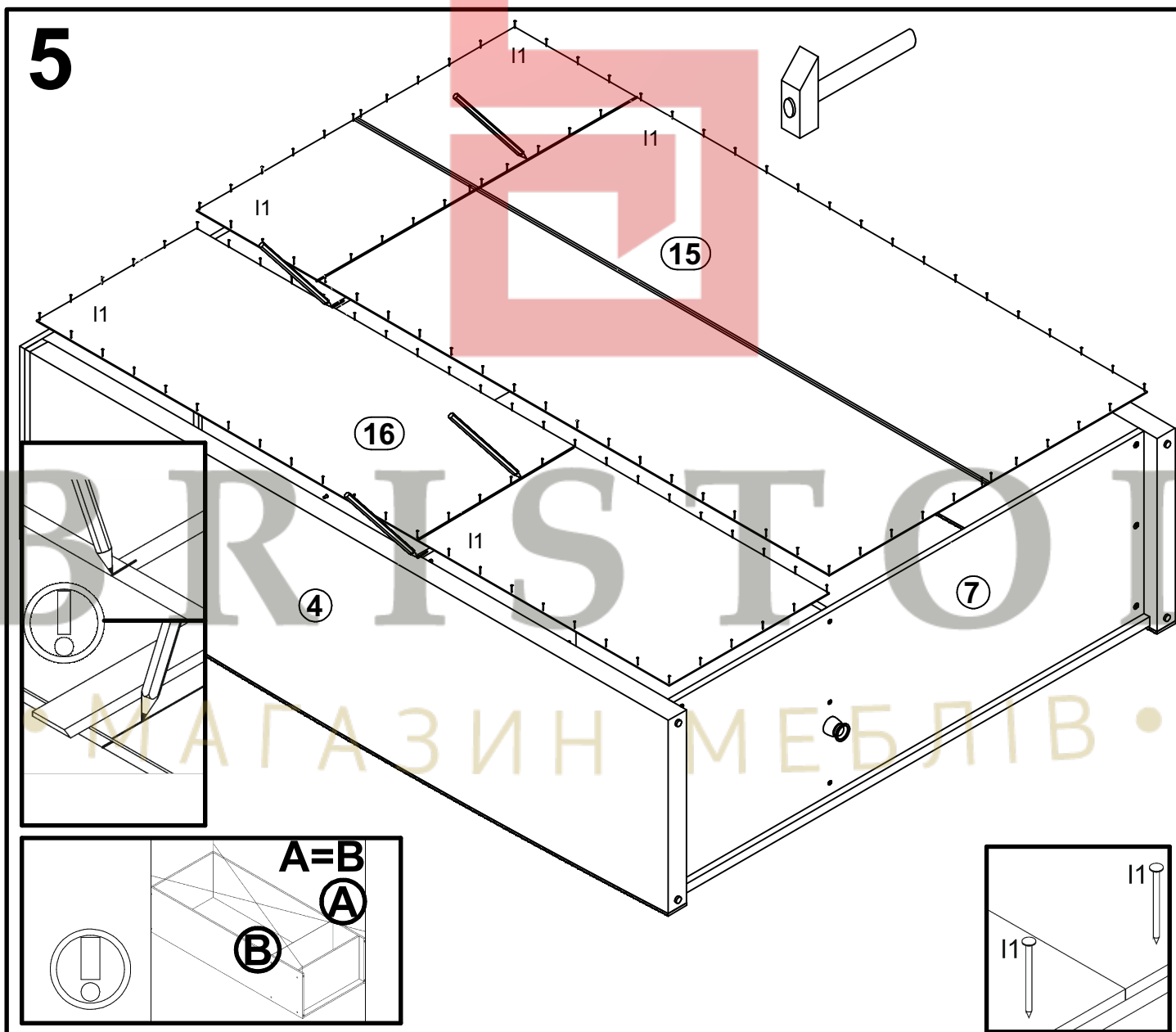
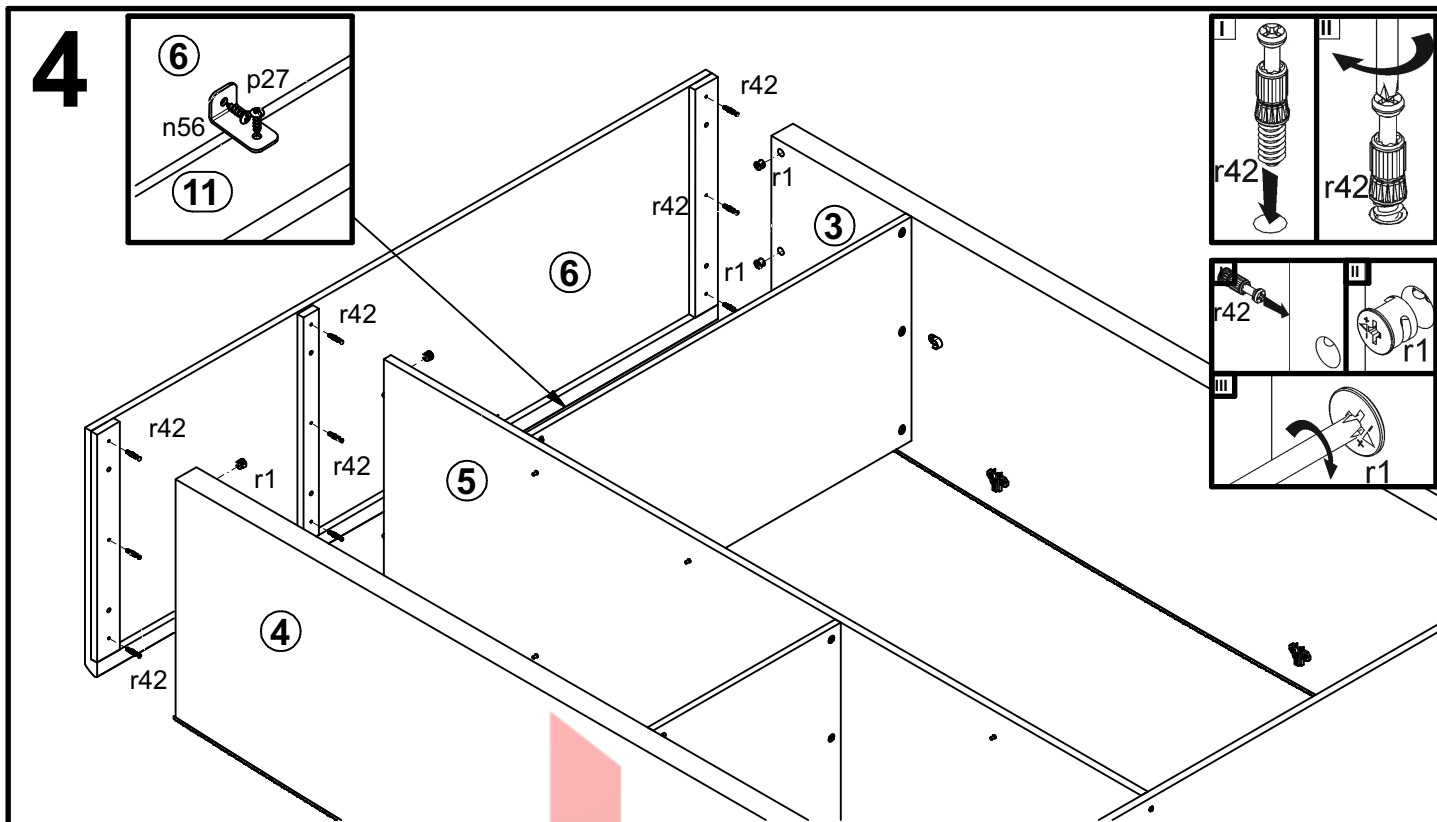


2 



3





6

