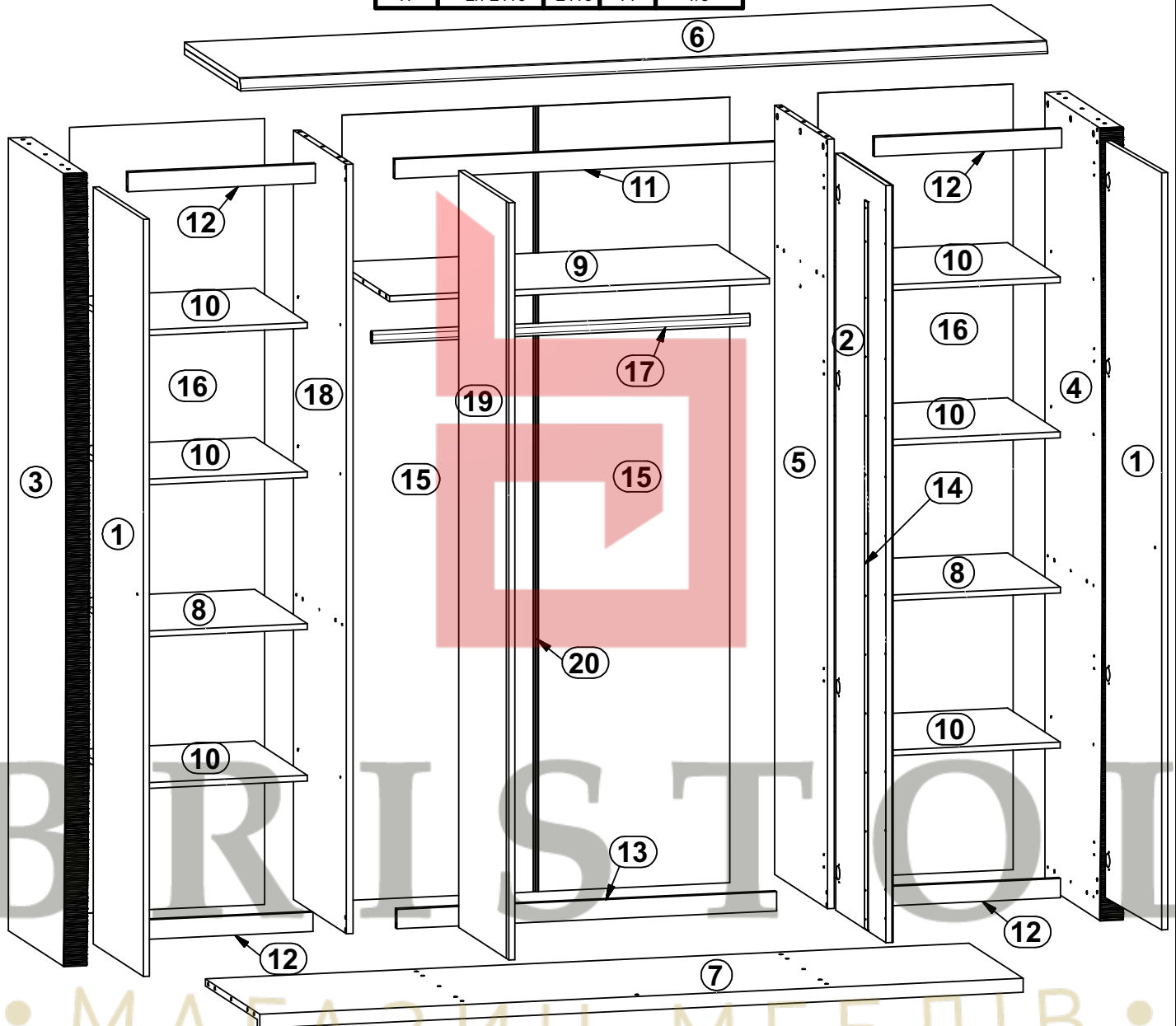
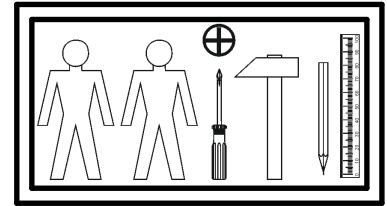


SENEGAL

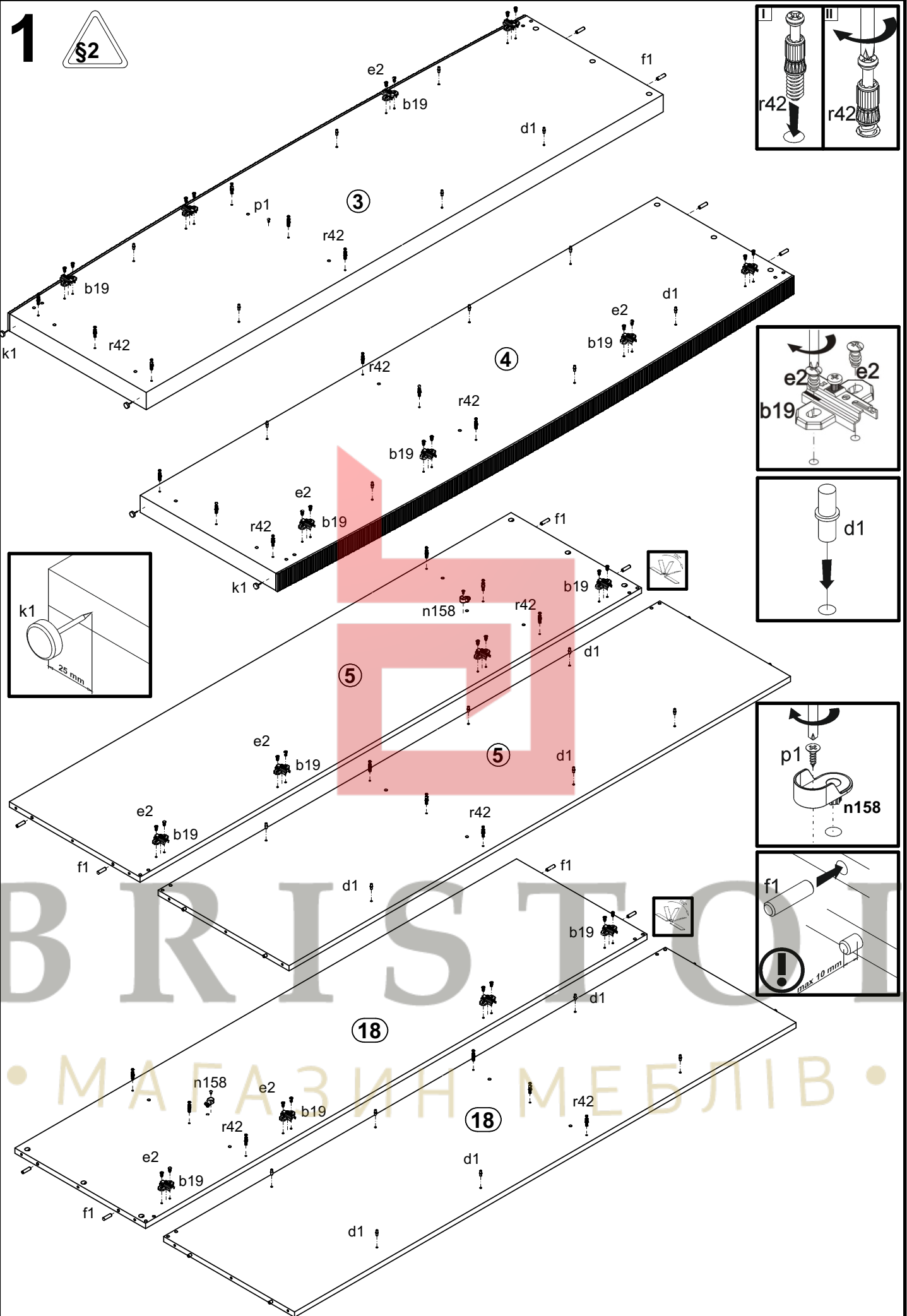
S175-SZF4D

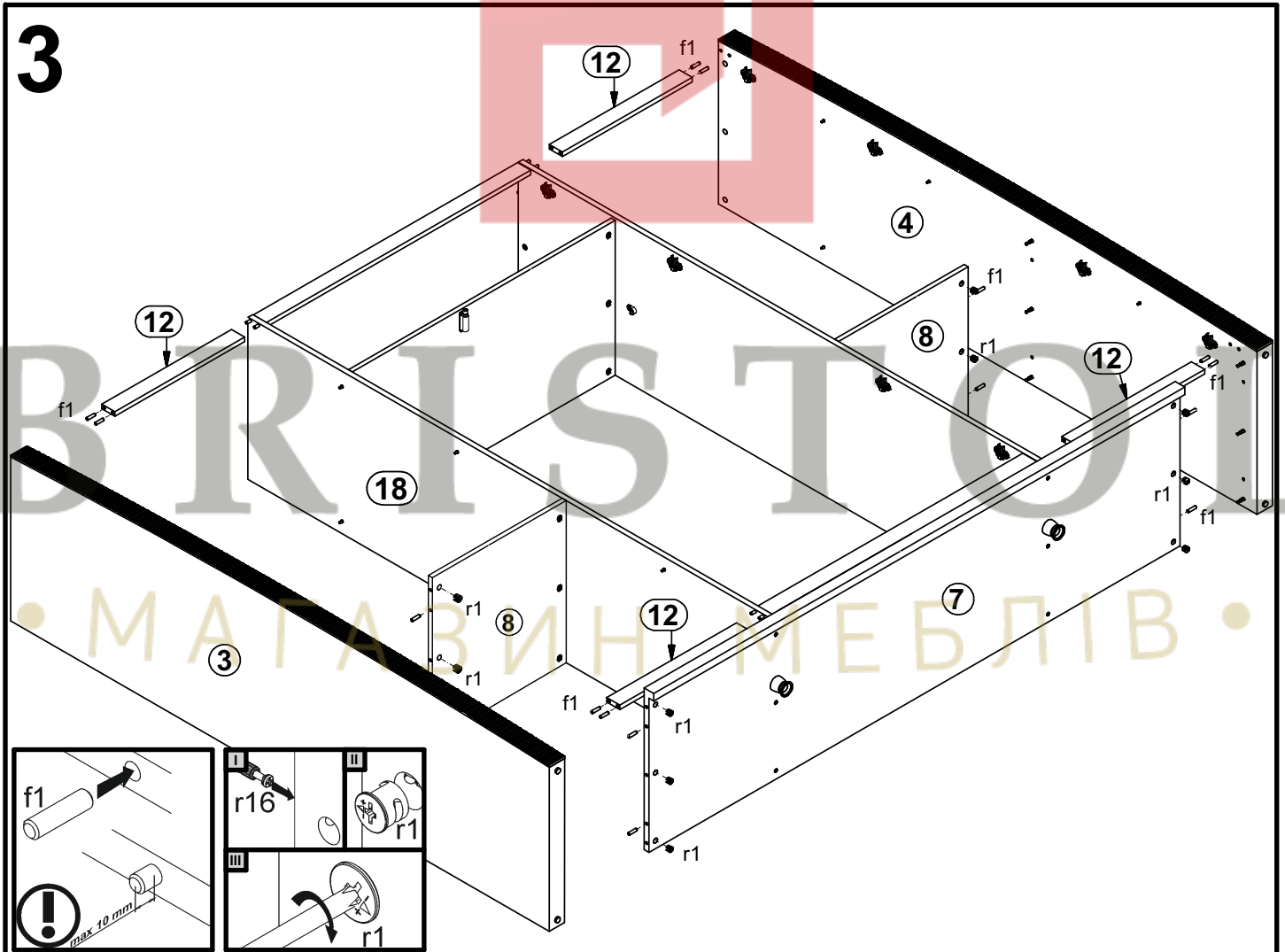
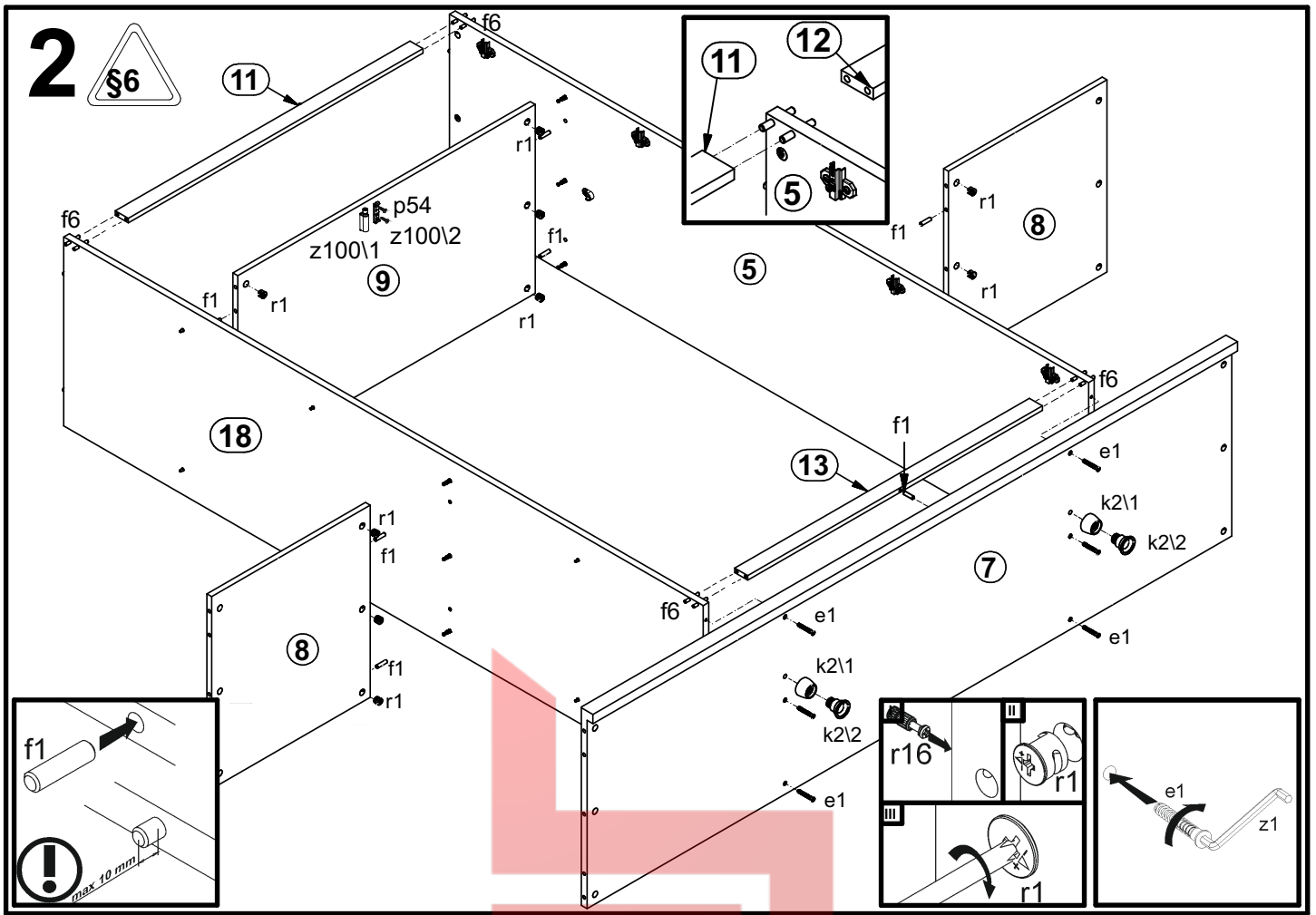
A	B	C	D	A	B	C	D		
1	S175-0015	2072	491	5/5	10	S175-3323	491	516	3/5
2	S175-0030	2072	491	5/5	11	S175-4441	992	50	1/5
3	S175-1163	2164	569	1/5	12	S175-4415	492	50	1/5
4	S175-1161	2164	569	1/5	13	S175-4440	992	50	1/5
5	S175-1162	2104	517	2/5	14	S175-5503	1998	29	1/5
6	S175-2240	2132	549	1/5	15	S175-9922	2146	504	1/5
7	S175-3340	2012	532	2/5	16	S175-9921	2026	557	1/5
8	S175-3321	492	517	3/5	17	dr-987	987	30	1/5
9	S175-3341	992	509	3/5	18	S175-1164	2104	517	2/5
					19	S175-0031	2072	491	5/5
					17	Lh-2116	2116	14	1/5

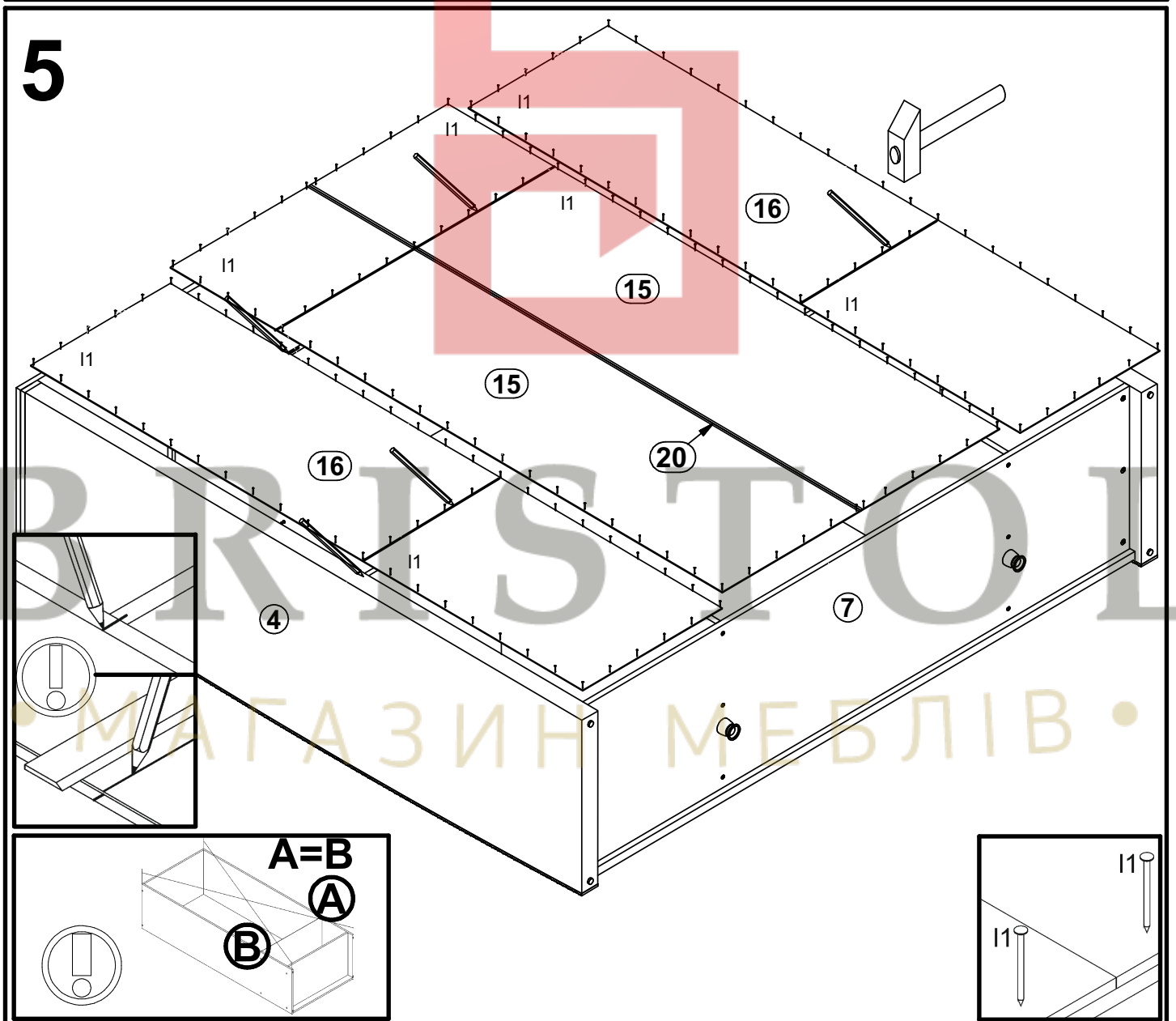
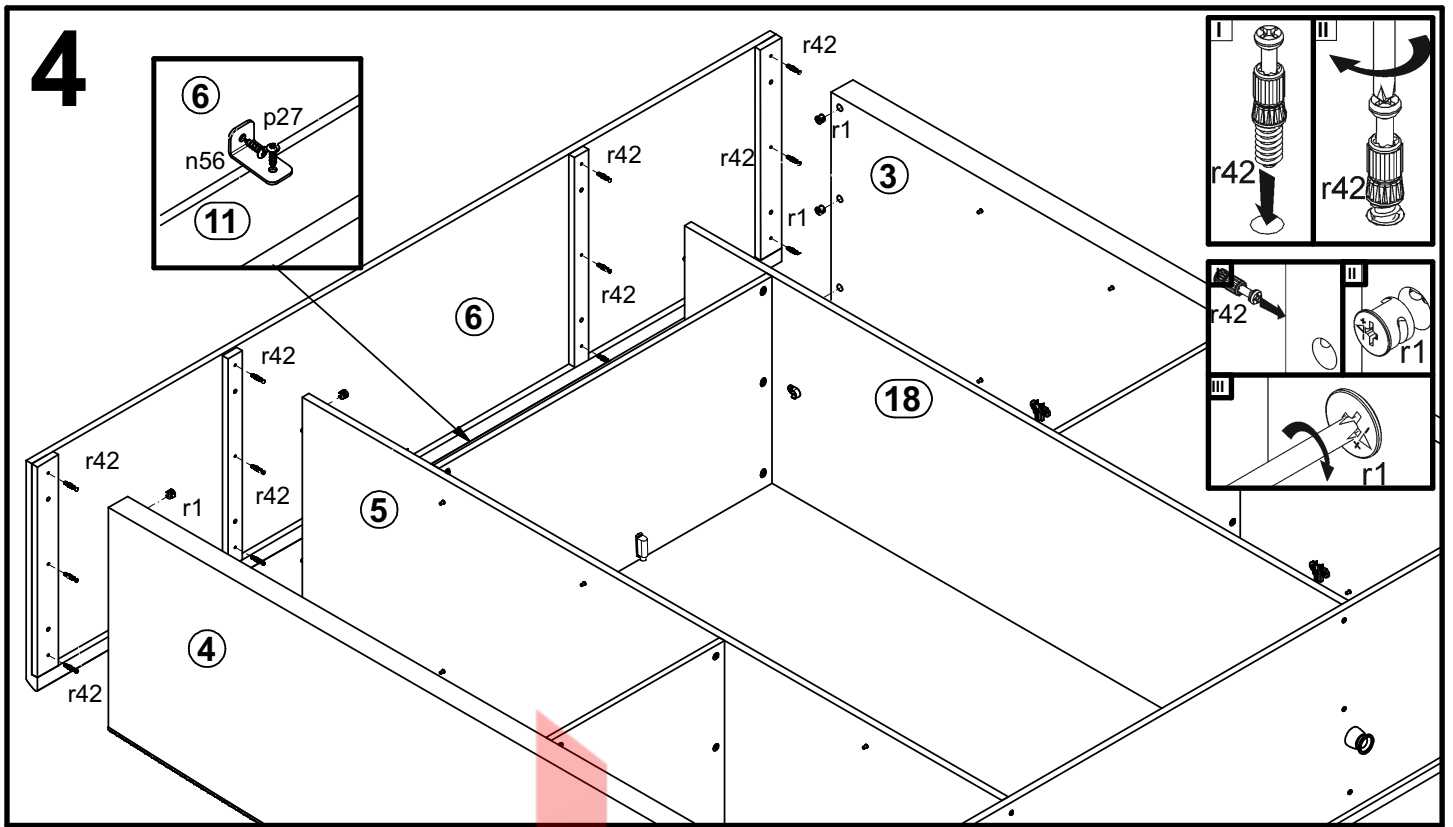


8x a43	16x b19	2x c29511	2x c29512	24x φ5x17 mm d1	6x φ7x50 mm e1	32x φ6,3x13 mm e2	37x φ8x30 mm f1	8x φ8x50 mm f6
2x M4x22 mm j60	4x k1	2x k21	2x k22	150x l1	2x n158	2x φ3,5x13 mm p1	15x φ3,5x16 mm p38	32x φ3,5x15 mm p51
36x φ1,5x12mm #16 r1	36x r42	1x z1	1x n2611	8x a68	1x 32x16x15,1 mm n56	2x φ3,5x13 mm p27	6x φ11,5 s51	18x φ16 s2
1x z100	2x φ3x12 mm p54							

1







6

