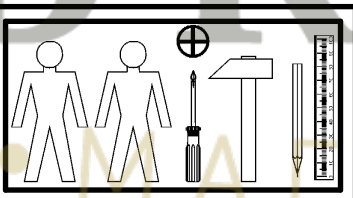
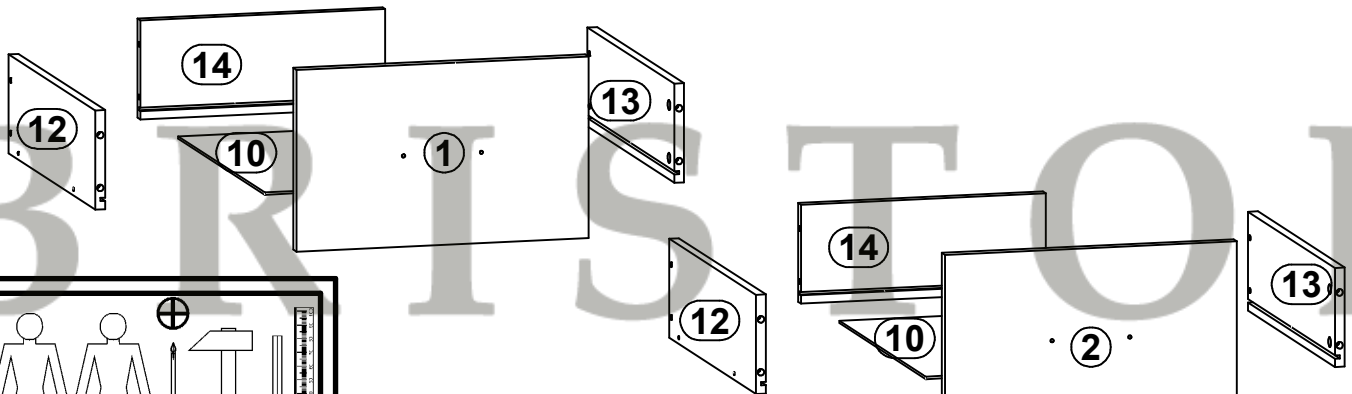
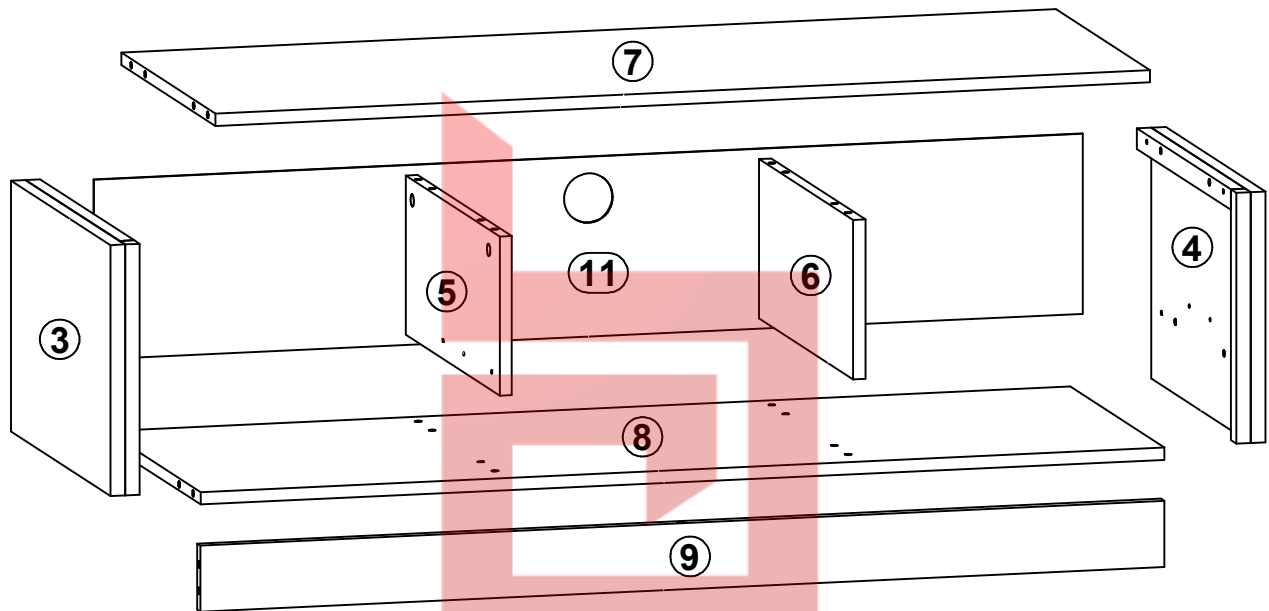
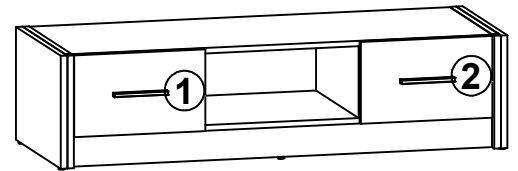


SETI

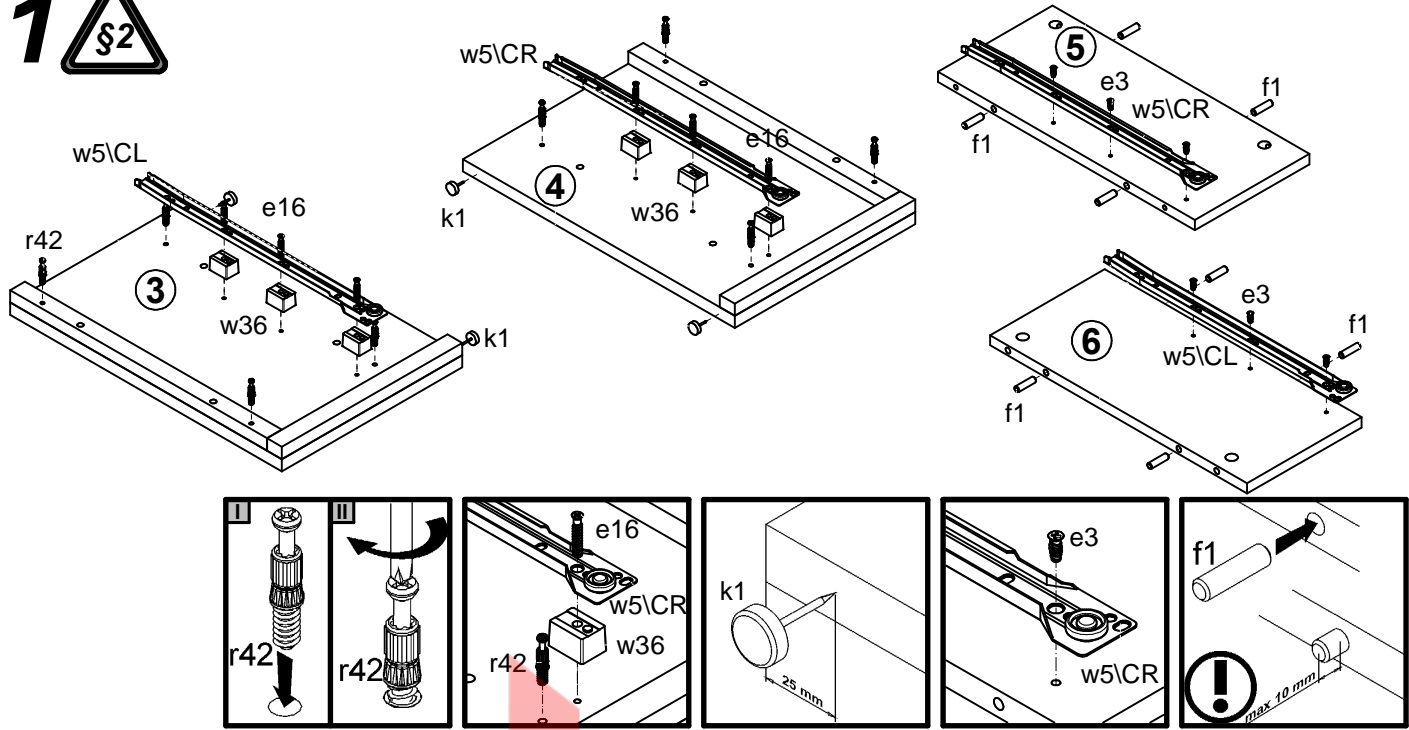
S135-RTV2S

A	B	C	D	
1	S135-015	360	220	2/2
2	S135-016	360	220	2/2
3	S135-134	304	458	1/2
4	S135-135	304	458	1/2
5	S135-136	193	433	1/2
6	S135-137	193	433	1/2
7	S135-340	1153	433	1/2
8	S135-341	1189	433	1/2
9	S135-401	1189	80	1/2
10	S135-917	313	398	1/2
11	S135-918	218	1220	1/2
12	ZS2-503	400	120	1/2
13	ZS2-504	400	120	1/2
14	ZS2-5532	302	120	1/2

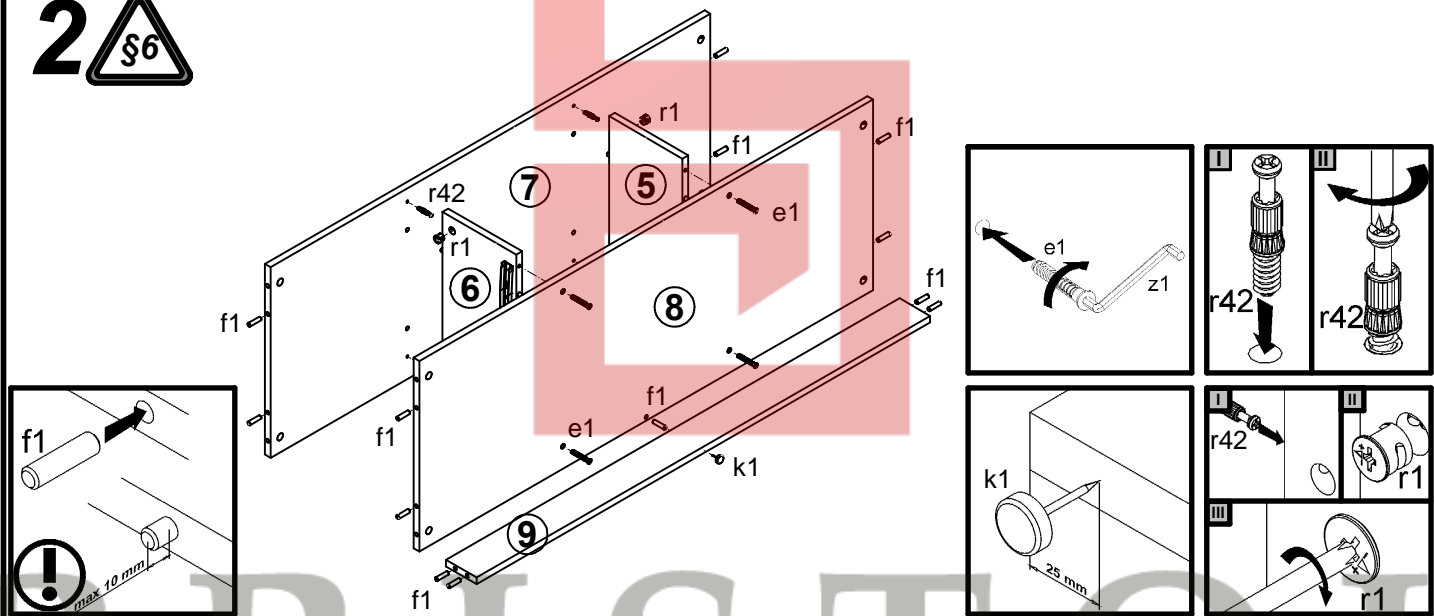


2x L=146/96 c296\3	4x φ7x50 mm e1	6x φ6x30 mm e16	8x φ5x9 mm e19	6x φ6x13 mm e3	21x φ8x30 mm f1	8x φ6.5x40 mm f25	5x k1	30x l1
4x φ2.9x24 mm p50	12x φ1.5x12mm #16 r1	8x φ12x10.5mm #12 r15	20x r42	6x h=18 mm w36	2x 400 mm w5\CL	2x 400 mm w5\CR	2x 400 mm w5\DL	2x 400 mm w5\DR
1x z1								

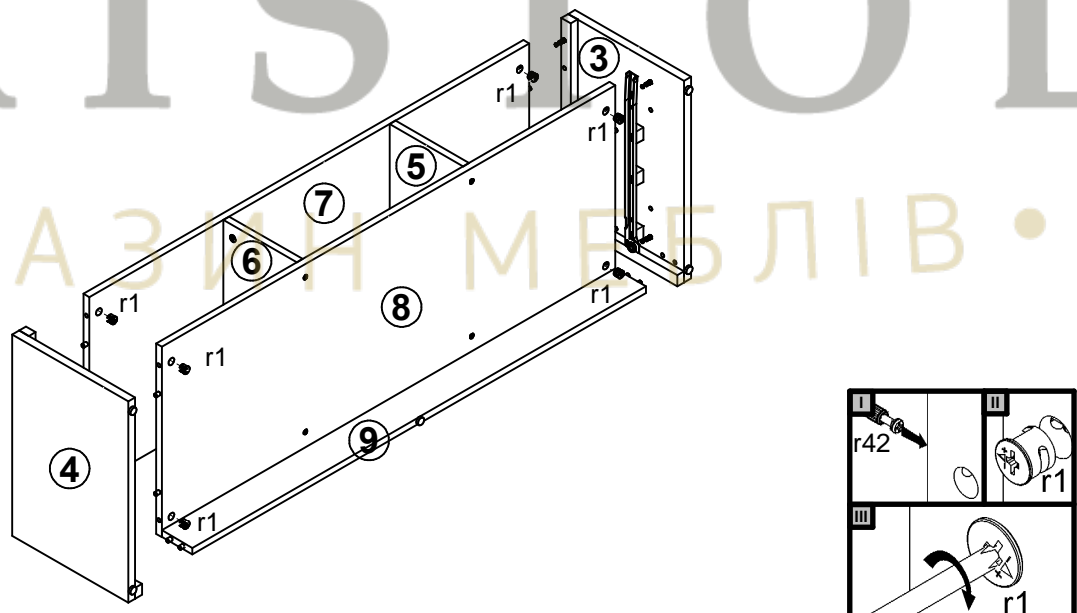
1



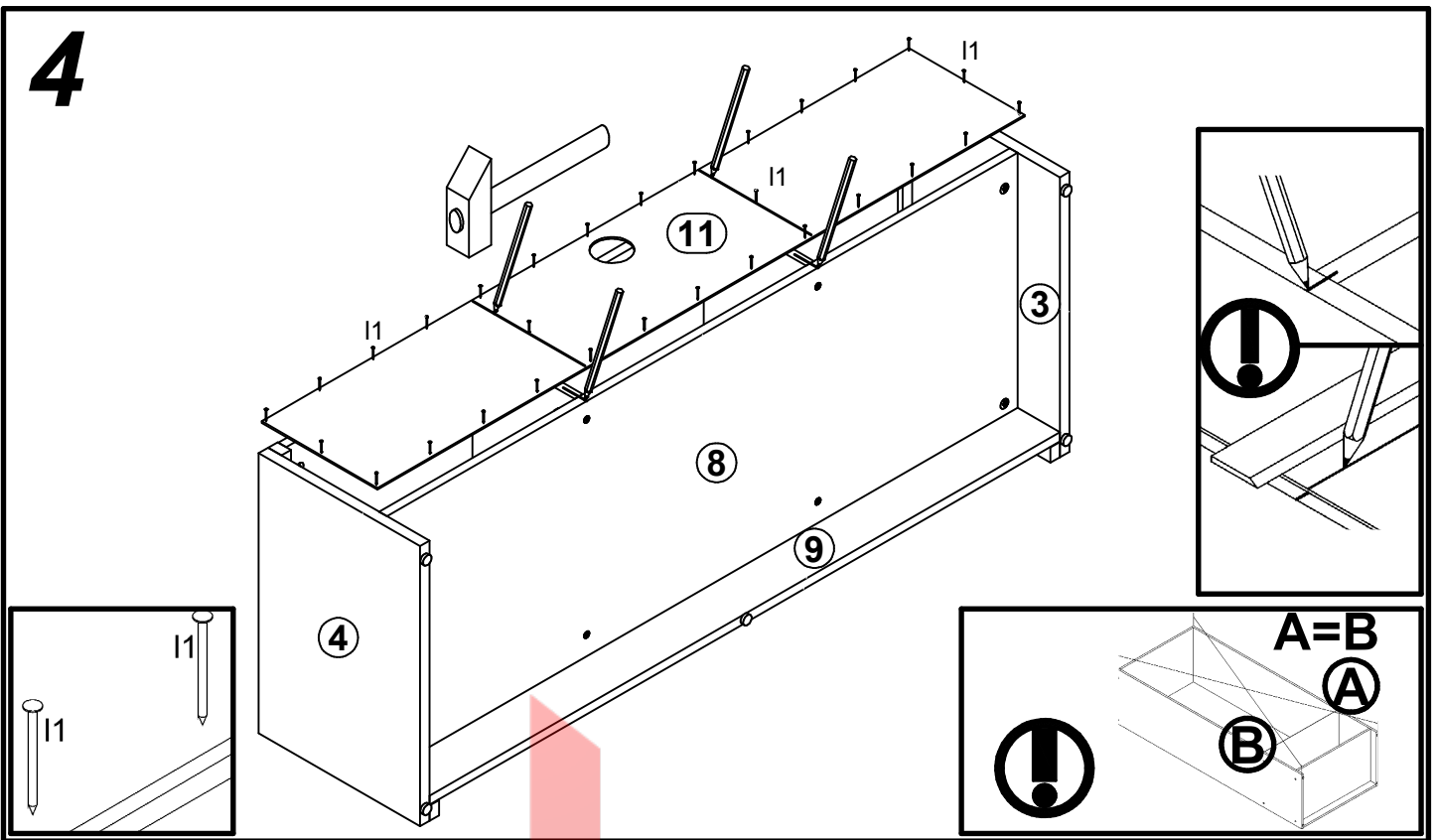
2



3



4



5

