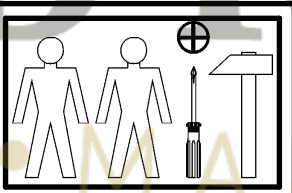
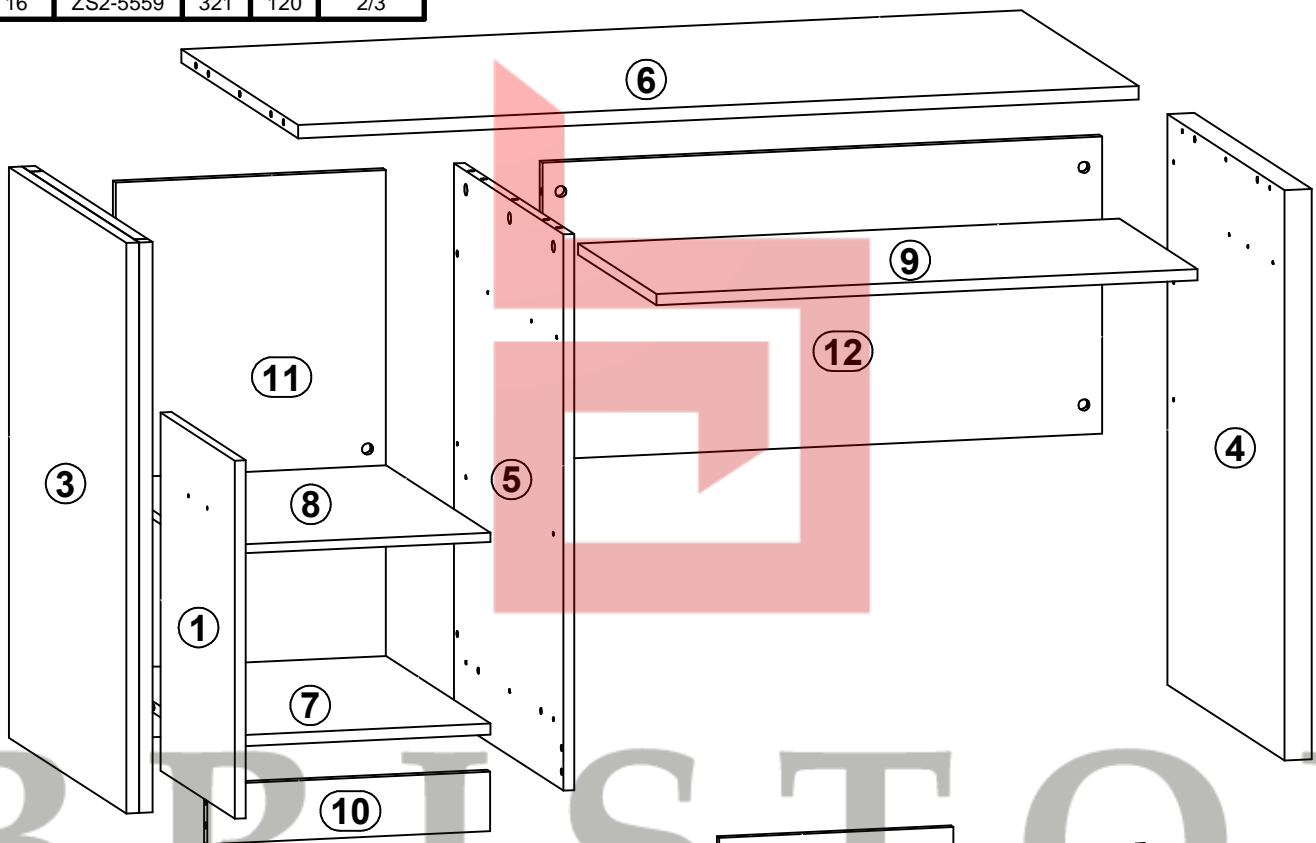
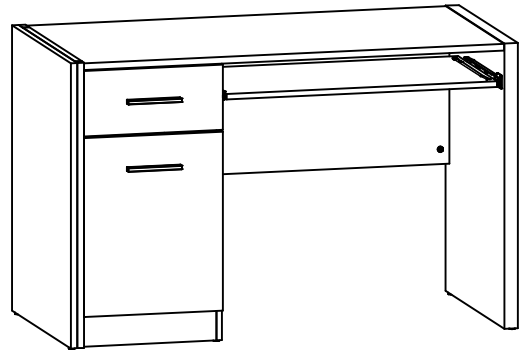


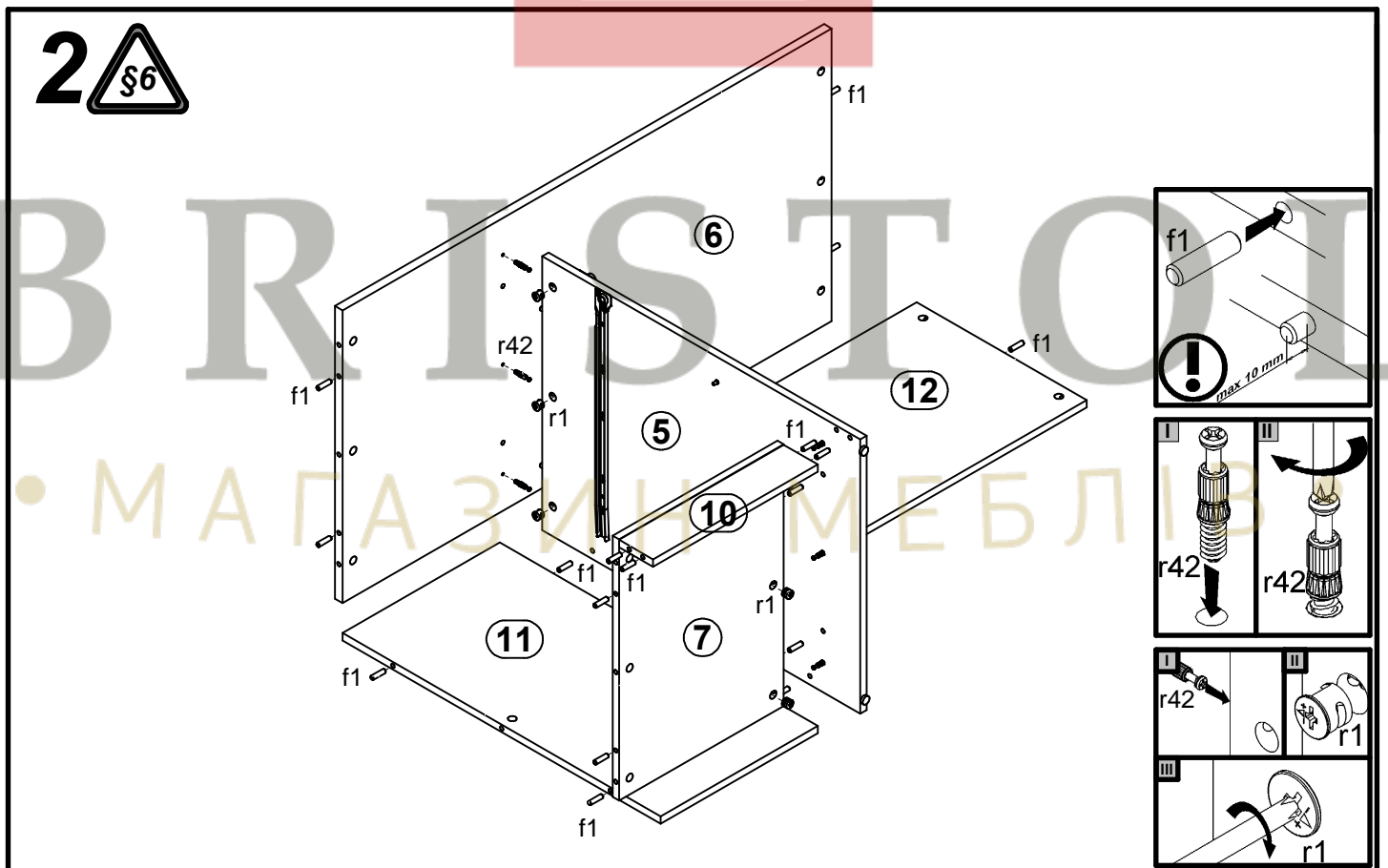
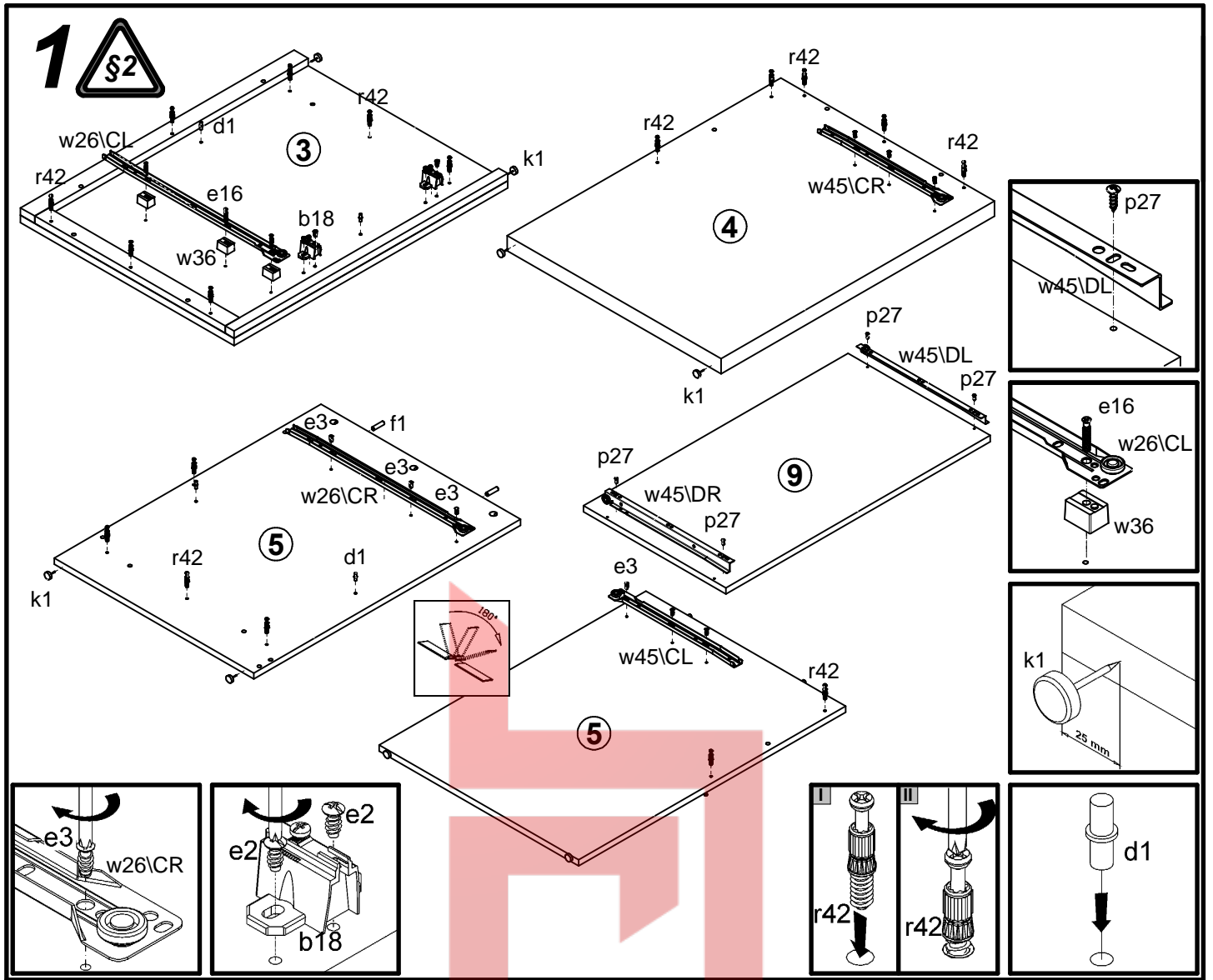
SETI

S135-BIU1D1S

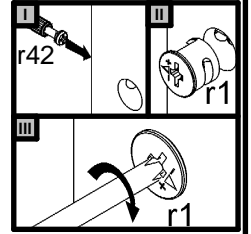
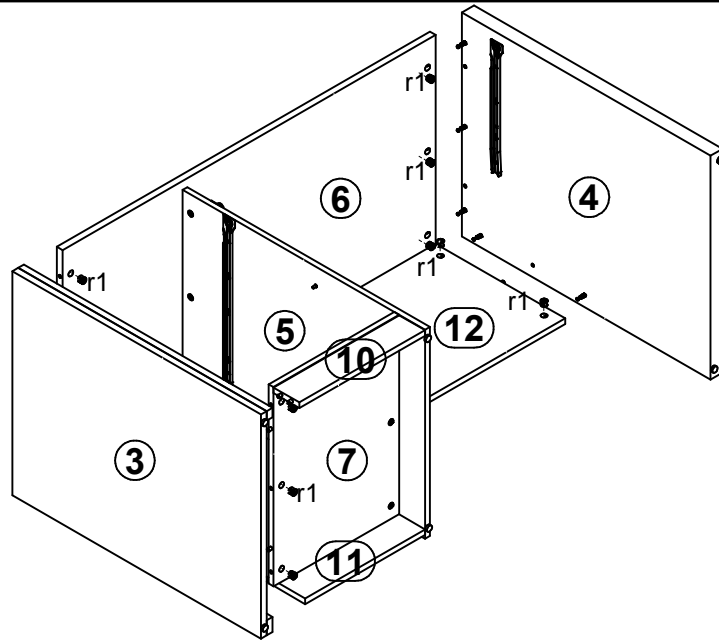
A	B	C	D	
1	S135-007	380	482	3/3
2	S135-008	380	176	3/3
3	S135-112	768	600	1/3
4	S135-113	768	600	1/3
5	S135-114	749	560	1/3
6	S135-315	1152	598	2/3
7	S135-319	388	534	2/3
8	S135-320	387	534	2/3
9	S135-321	742	400	1/3
10	S135-405	388	80	1/3
11	S135-406	749	370	1/3
12	S135-407	767	400	1/3
13	S135-910	332	498	2/3
14	ZS2-509	500	120	2/3
15	ZS2-510	500	120	2/3
16	ZS2-5559	321	120	2/3



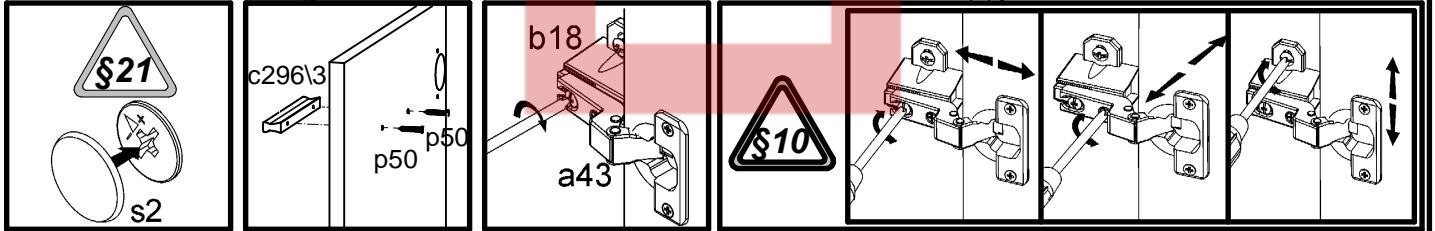
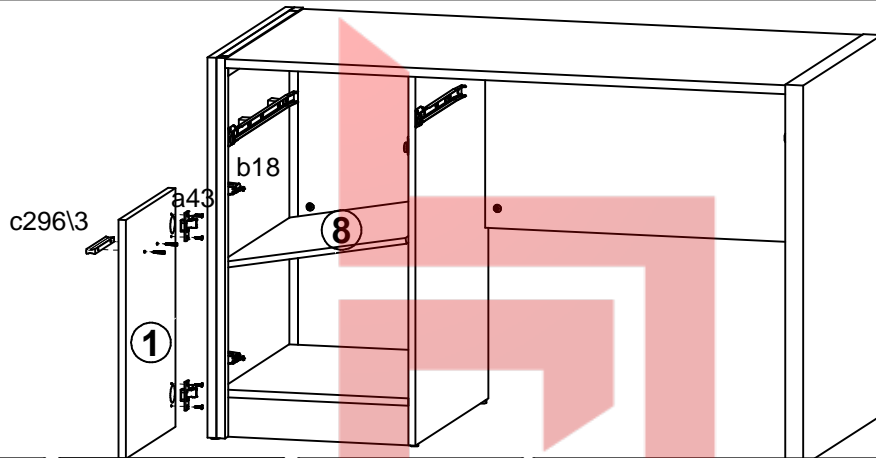
2x a43	2x b18	2x c296\3 L=146/96	4x d1 φ5x17 mm	3x e16 φ6x30 mm	6x e19 φ5x9 mm	4x e2 φ6,3x13 mm	9x e3 φ6x13 mm	20x f1 φ8x30 mm
4x f25 φ6,5x40 mm	6x k1	4x p27 φ3,5x13 mm	4x p50 φ2,9x24 mm	4x p51 φ3,5x15 mm	21x r1 φ1,5x12mm #16	4x r15 φ12x10,5mm #12	25x r42	1x w26\CL 500 mm
1x w26\CR 500 mm	1x w26\DL 500 mm	1x w26\DR 500 mm	3x w36 h=18 mm	1x w45\CL 350 mm	1x w45\CR 350 mm	1x w45\DL 350 mm	1x w45\DR 350 mm	4x s2 φ16



3



4



5

