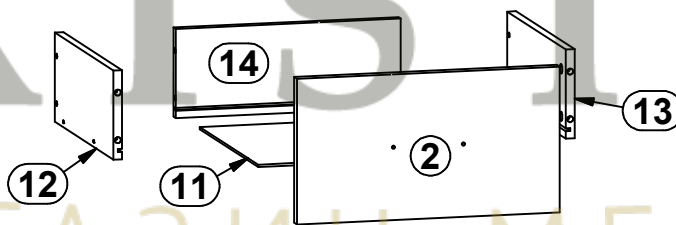
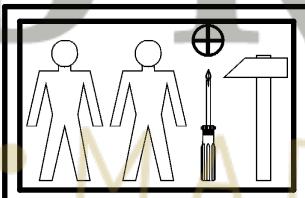
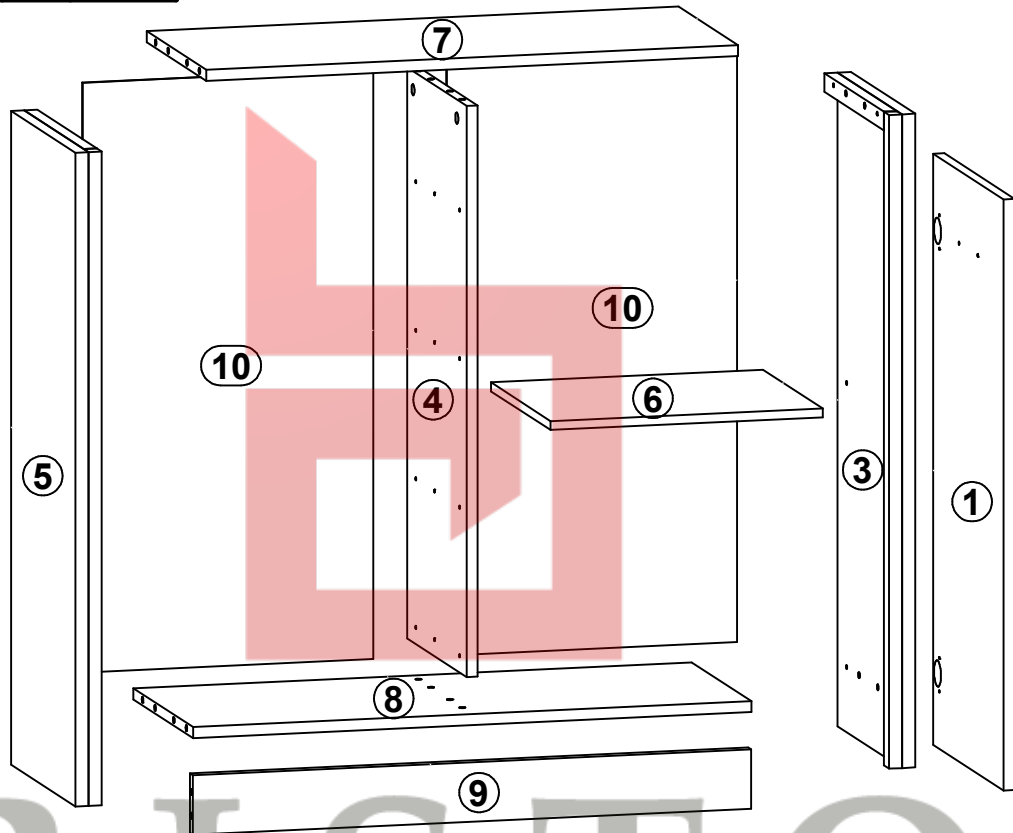


# SETI

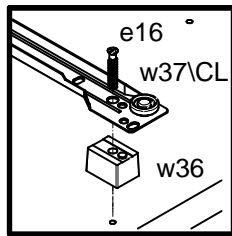
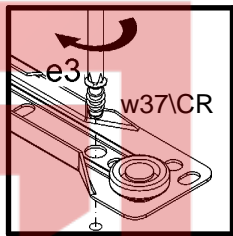
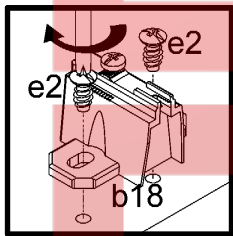
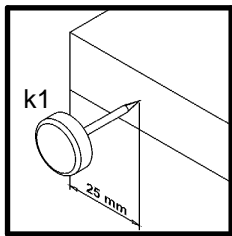
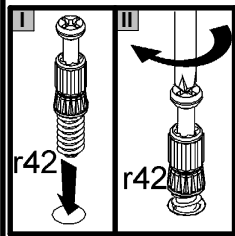
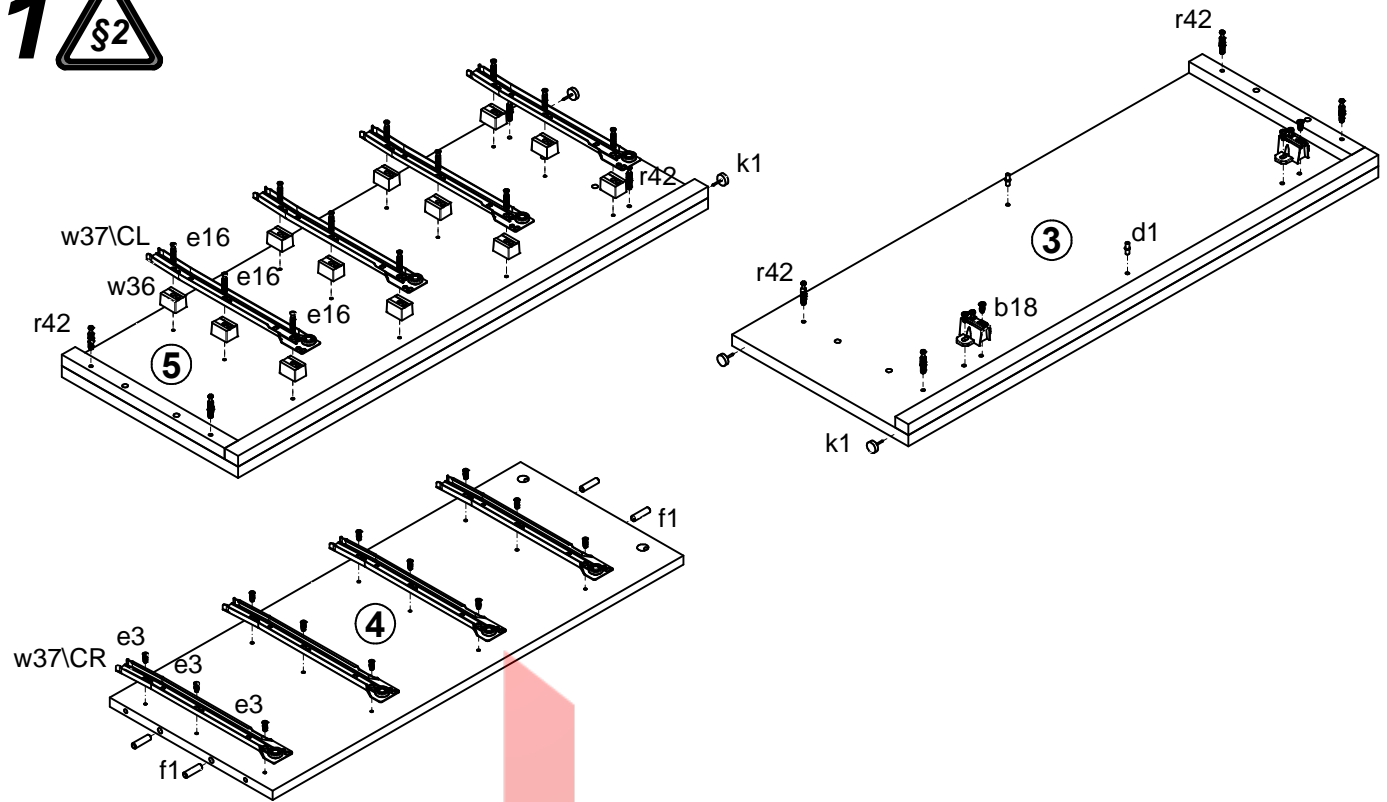
# S135-KOM1D4S

A	B	C	D
1	S135-003	796	360
2	S135-014	360	196
3	S135-102	880	330
4	S135-104	769	305
5	S135-131	880	330
6	S135-303	373	305
7	S135-337	729	305
8	S135-338	765	305
9	S135-418	765	80
10	S135-902	794	398
11	S135-916	319	298
12	ZS2-507	300	120
13	ZS2-508	300	120
14	ZS2-5563	308	120

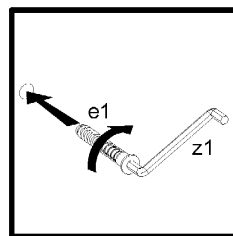
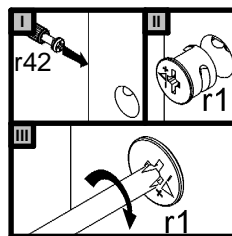
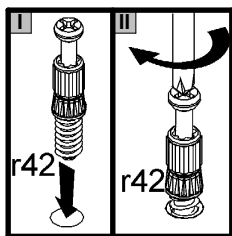
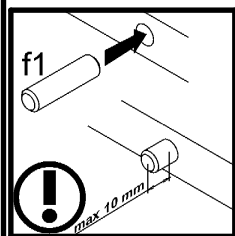
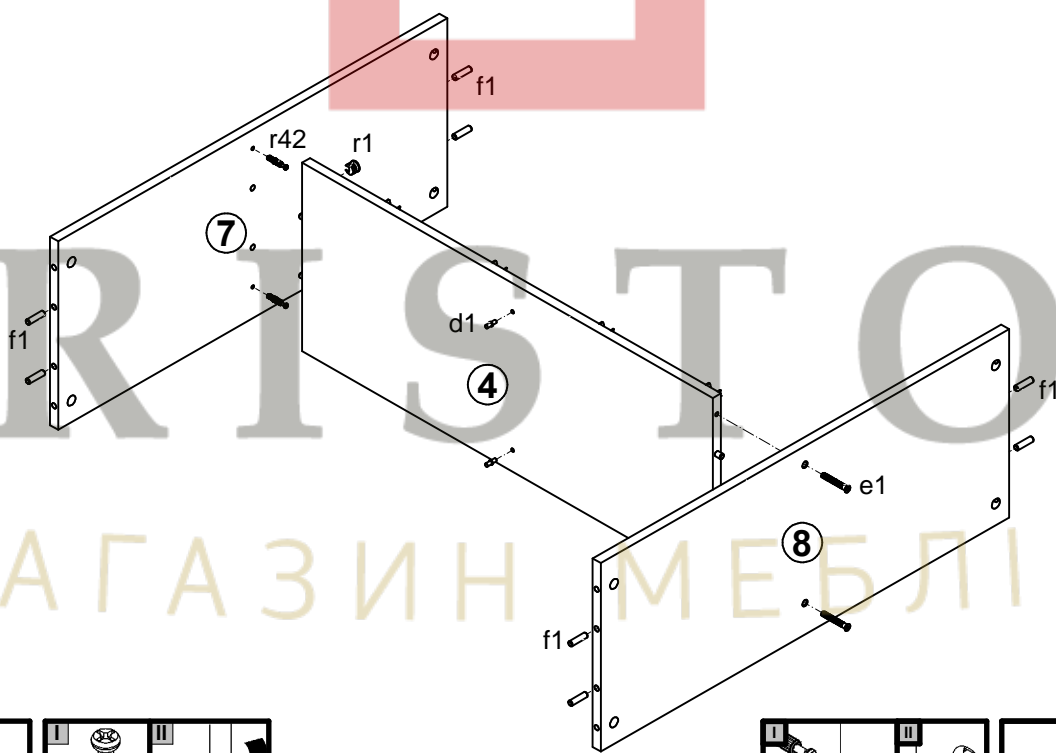


2x  a43	2x  b18	5x  L=146/96 c296/3	4x  φ8x17 mm d1	2x  φ7x50 mm e1	12x  φ6x30 mm e16	16x  φ5x9 mm e19	4x  φ6,3x13 mm e2	12x  φ6x13 mm e3
16x  φ8x30 mm f1	16x  φ6,5x40 mm f25	4x  k1	50x  l1	10x  φ2,9x24 mm p50	4x  φ3,5x15 mm p51	10x  φ1,5x12mm #16 r1	16x  φ12x10,5mm #12 r15	26x  r42
2x  ø16 s2	12x  h=18 mm w36	4x  300 mm w37/CL	4x  300 mm w37/CR	4x  300 mm w37/DL	4x  300 mm w37/DR	1x  z1	1x  n26/1	1x  φ3,5x16 mm p38

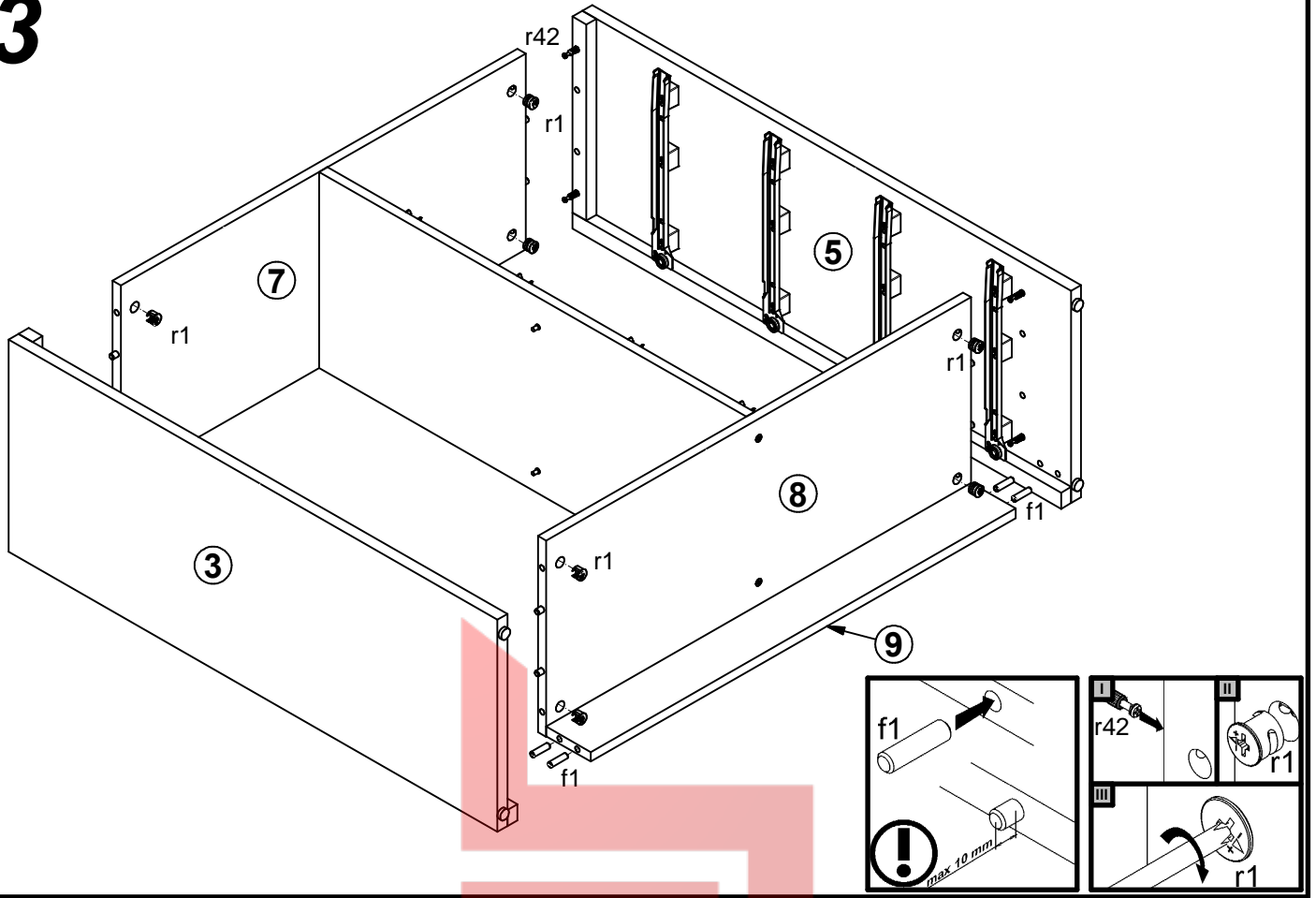
# 1



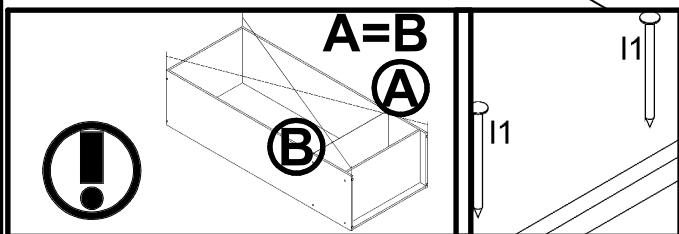
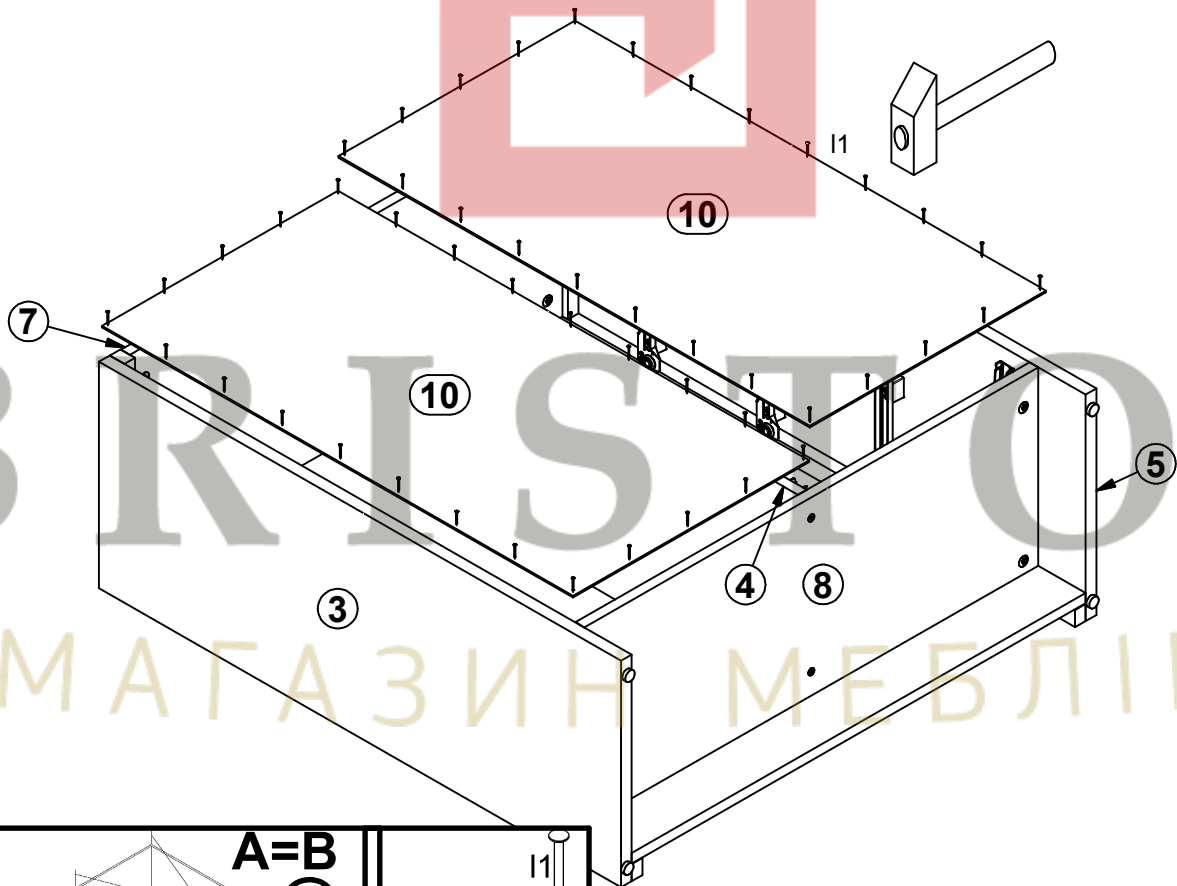
# 2



# 3



# 4



# 5

