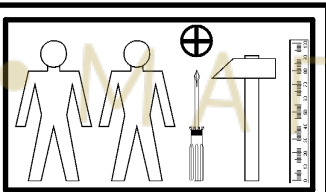
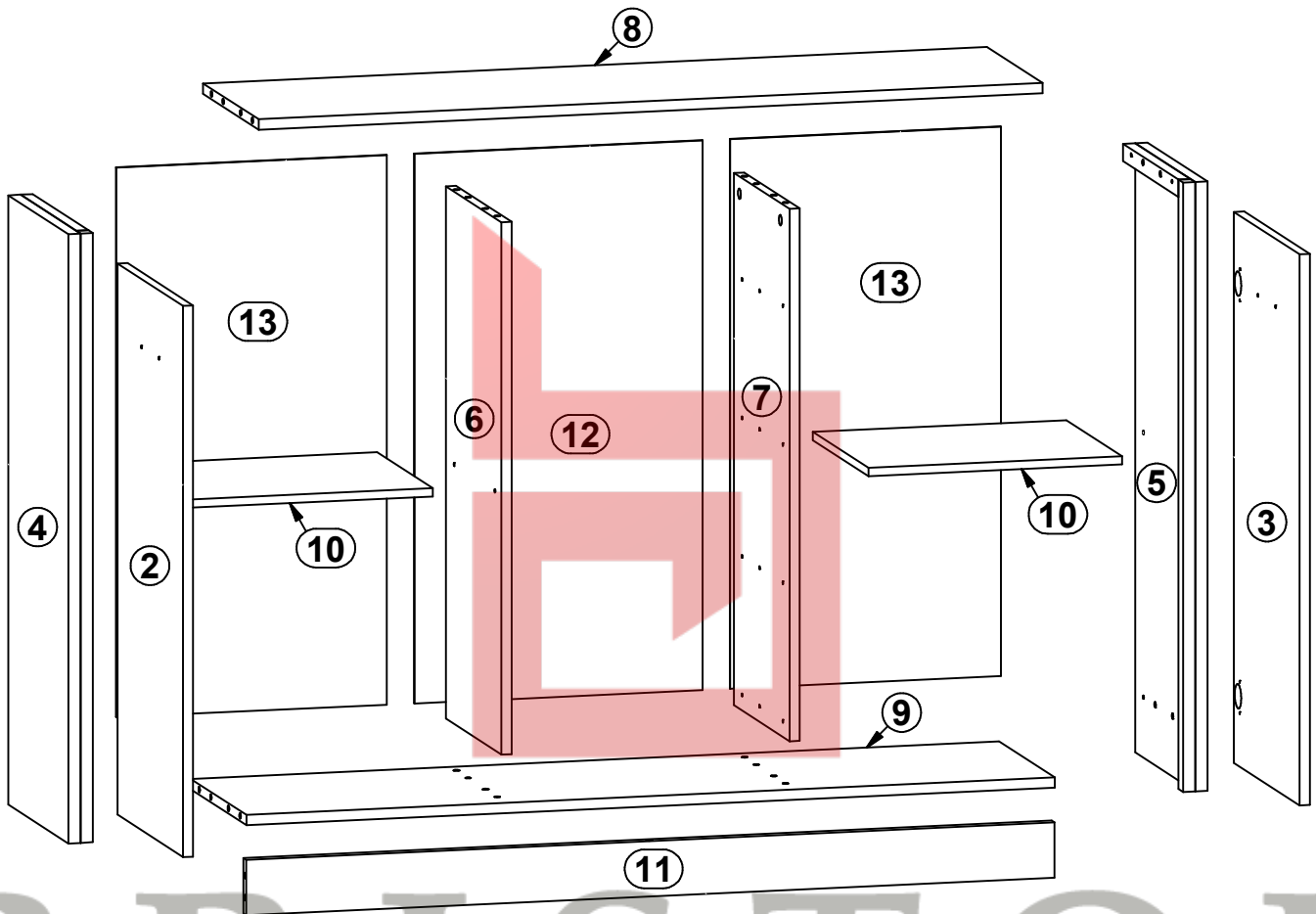
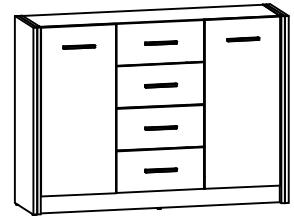


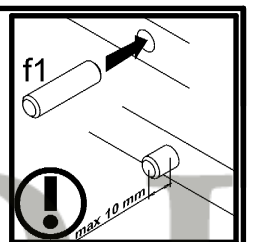
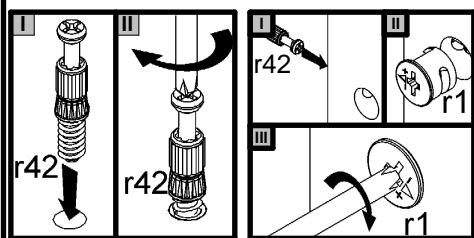
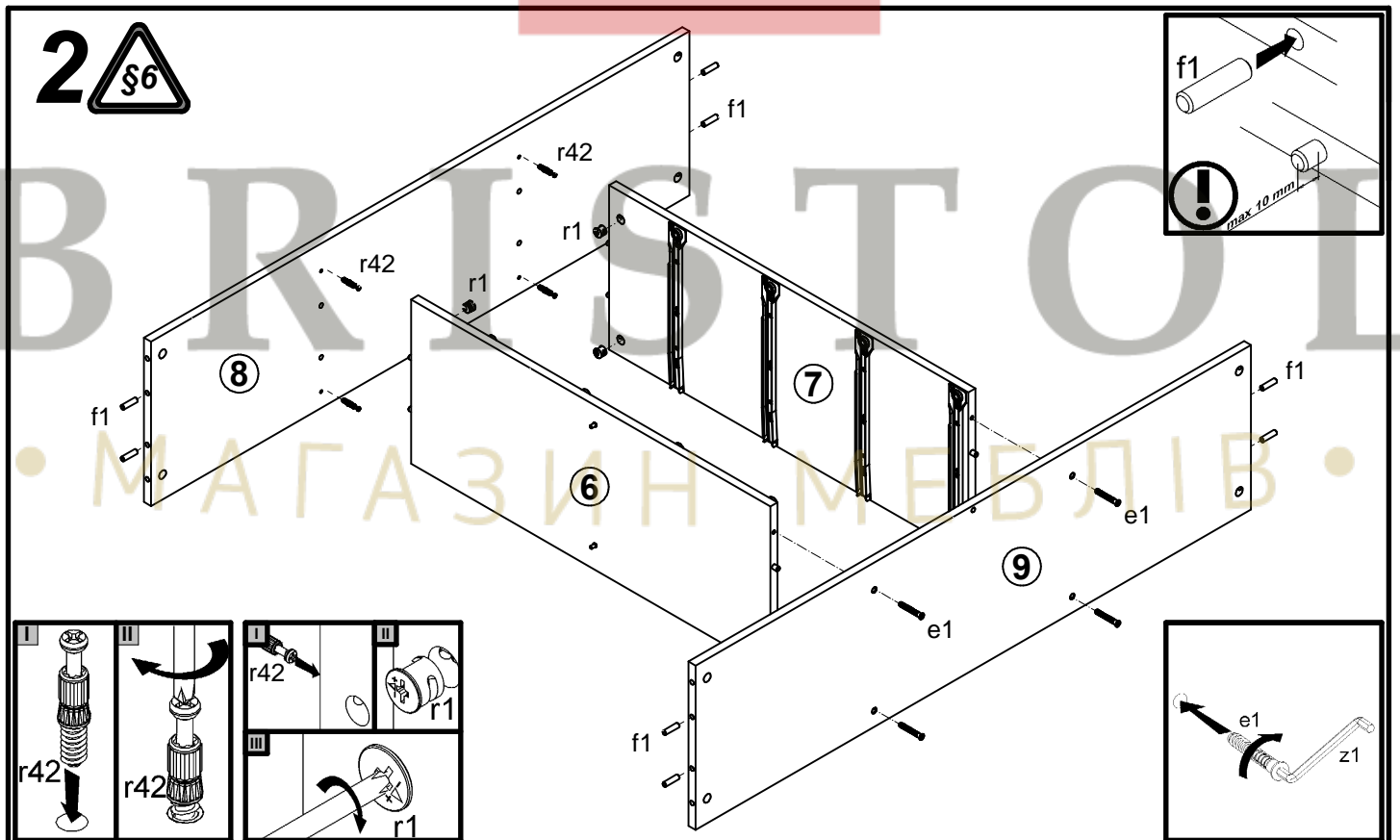
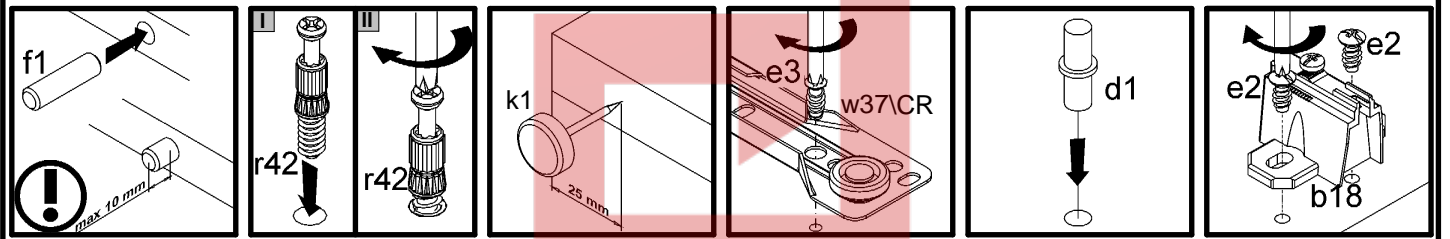
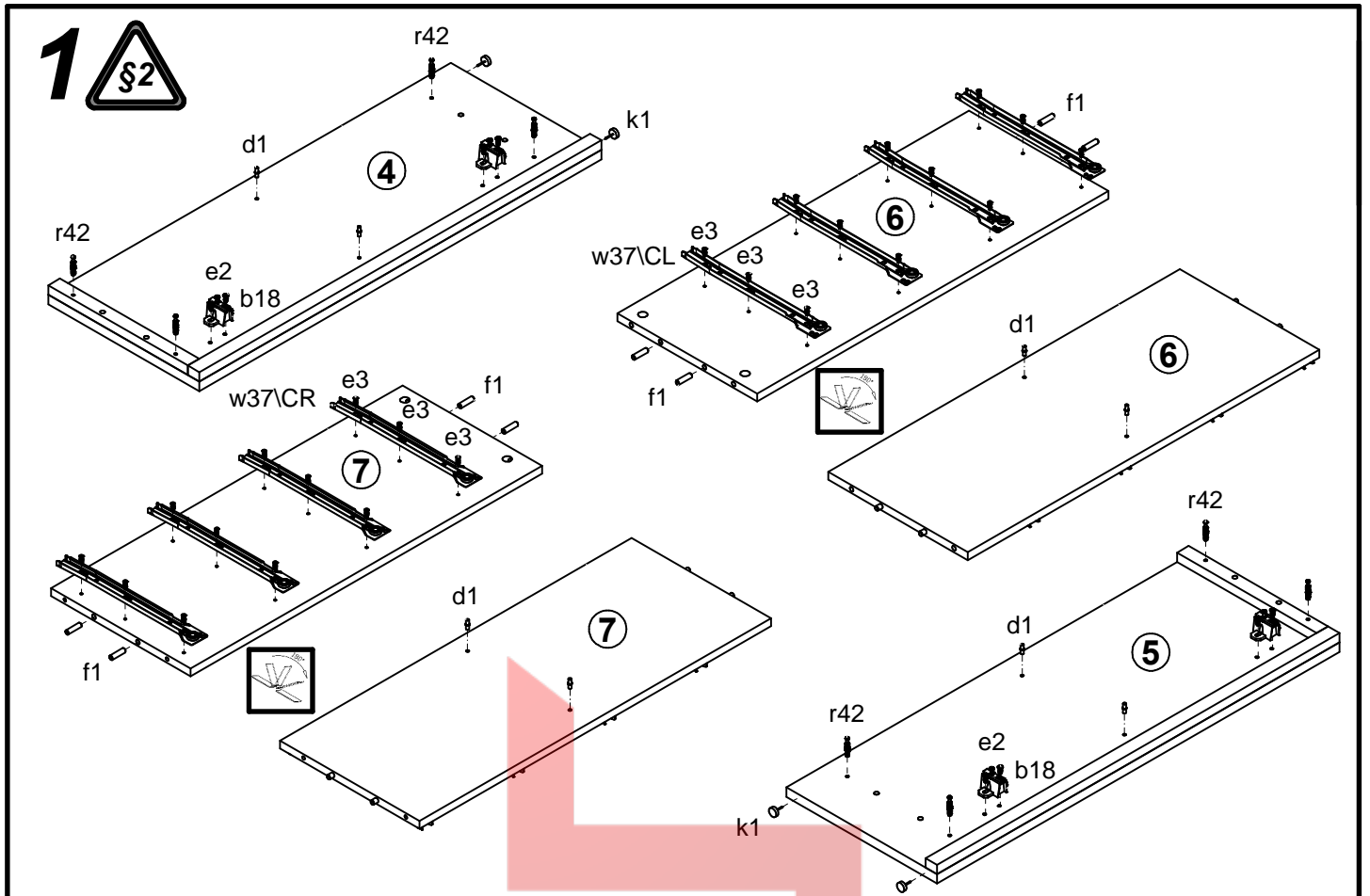
SETI

S135-KOM2D4S

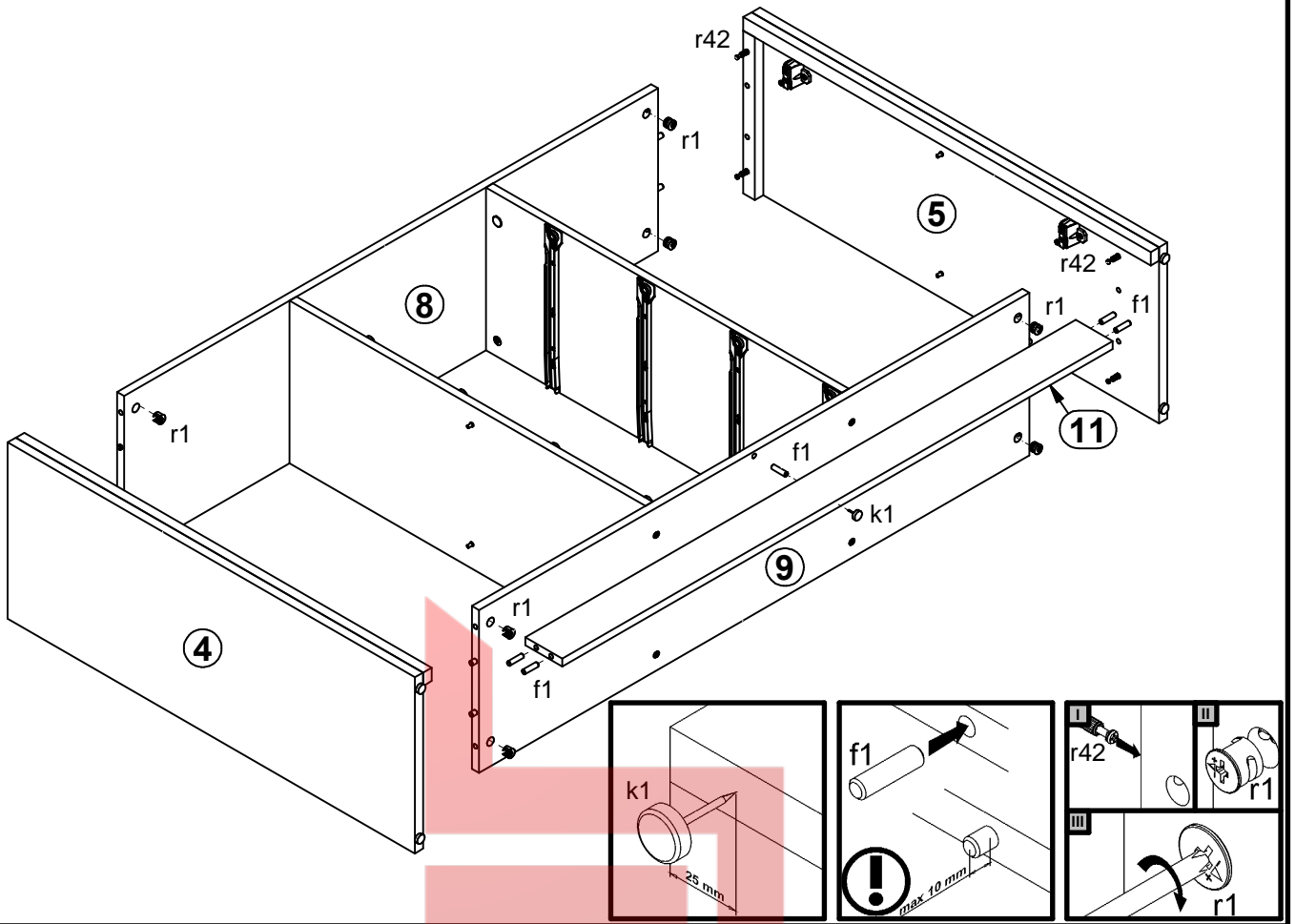
A	B	C	D	A	B	C	D		
1	S135-001	420	196	3/3	11	S135-401	1189	80	2/3
2	S135-002	796	360	3/3	12	S135-901	794	424	3/3
3	S135-003	796	360	3/3	13	S135-902	794	398	3/3
4	S135-101	880	330	1/3	14	S135-903	371	298	3/3
5	S135-102	880	330	1/3	15	ZS2-507	300	120	1/3
6	S135-103	769	305	1/3	16	ZS2-508	300	120	1/3
7	S135-104	769	305	1/3	17	ZS2-5555	360	120	1/3
8	S135-301	1153	305	2/3					
9	S135-302	1189	305	2/3					
10	S135-303	373	305	1/3					



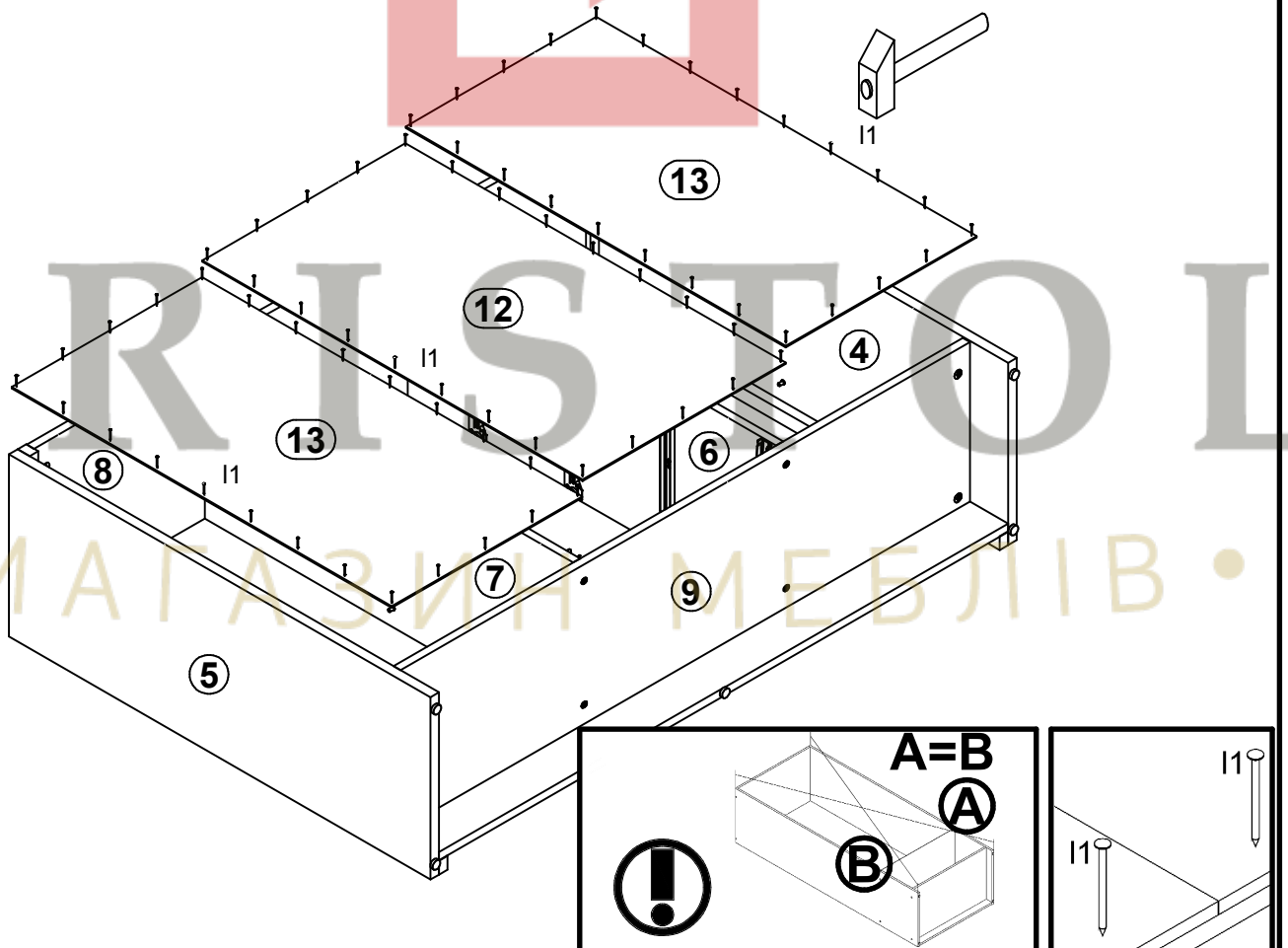
4x a43	4x b18	6x L=146/96 c296/3	8x φ5x17 mm d1	4x φ7x50 mm e1	8x φ6,3x13 mm e2	24x φ6x13 mm e3	16x φ5x9 mm e19	21x φ8x30 mm f1
16x φ6,5x40 mm f25	5x k1	80x l1	12x φ2,9x24 mm p50	8x φ3,5x15 mm p51	12x φ1,5x12mm #16 r1	16x φ12x10,5mm #12 r15	28x r42	4x 300 mm w37/CL
4x 300 mm w37/CR	4x 300 mm w37/DL	4x 300 mm w37/DR	2x φ16 s2	1x z1	1x n26/1	1x φ3,5x16 mm p38		



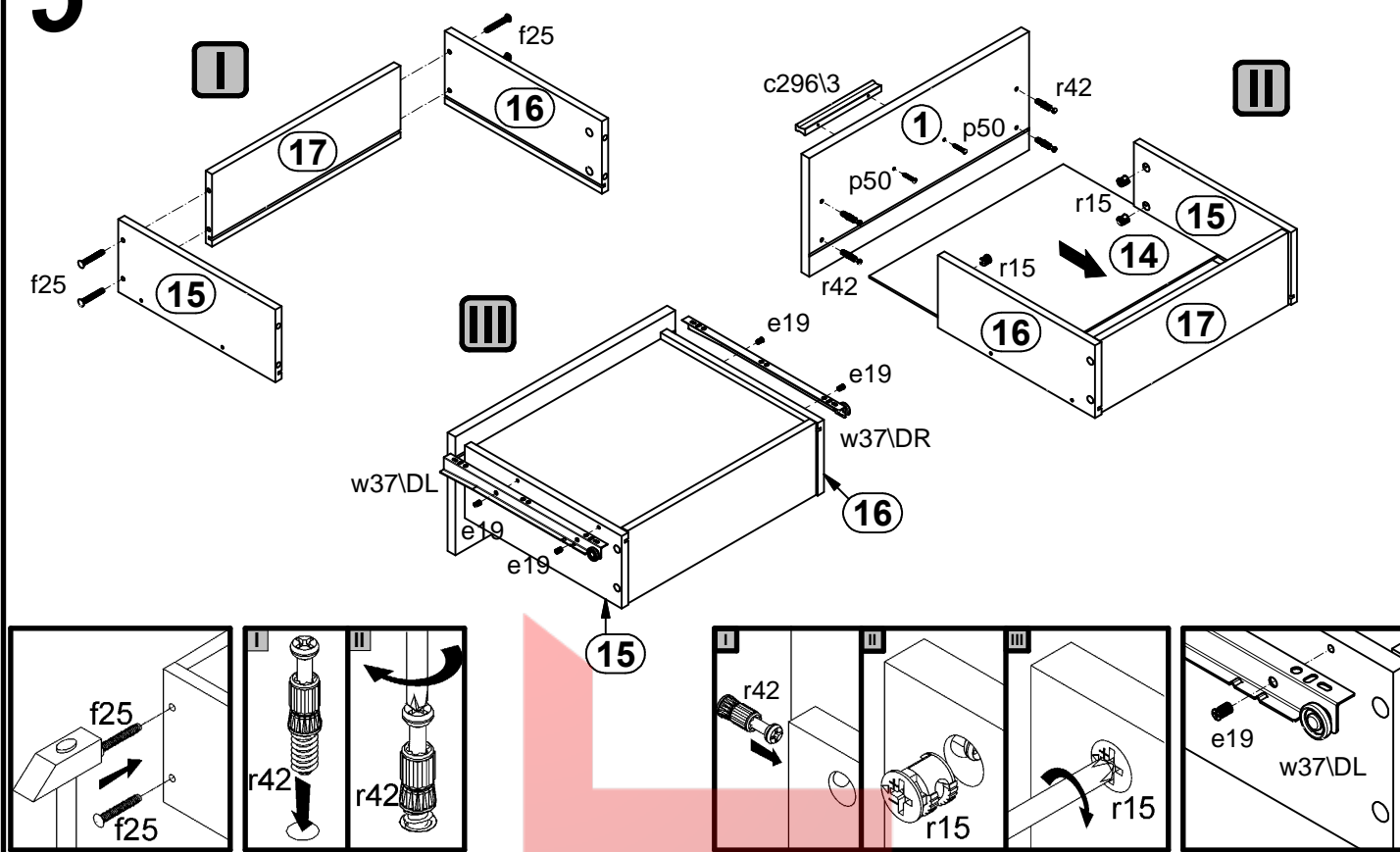
3



4



5



6

