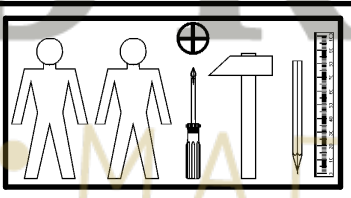
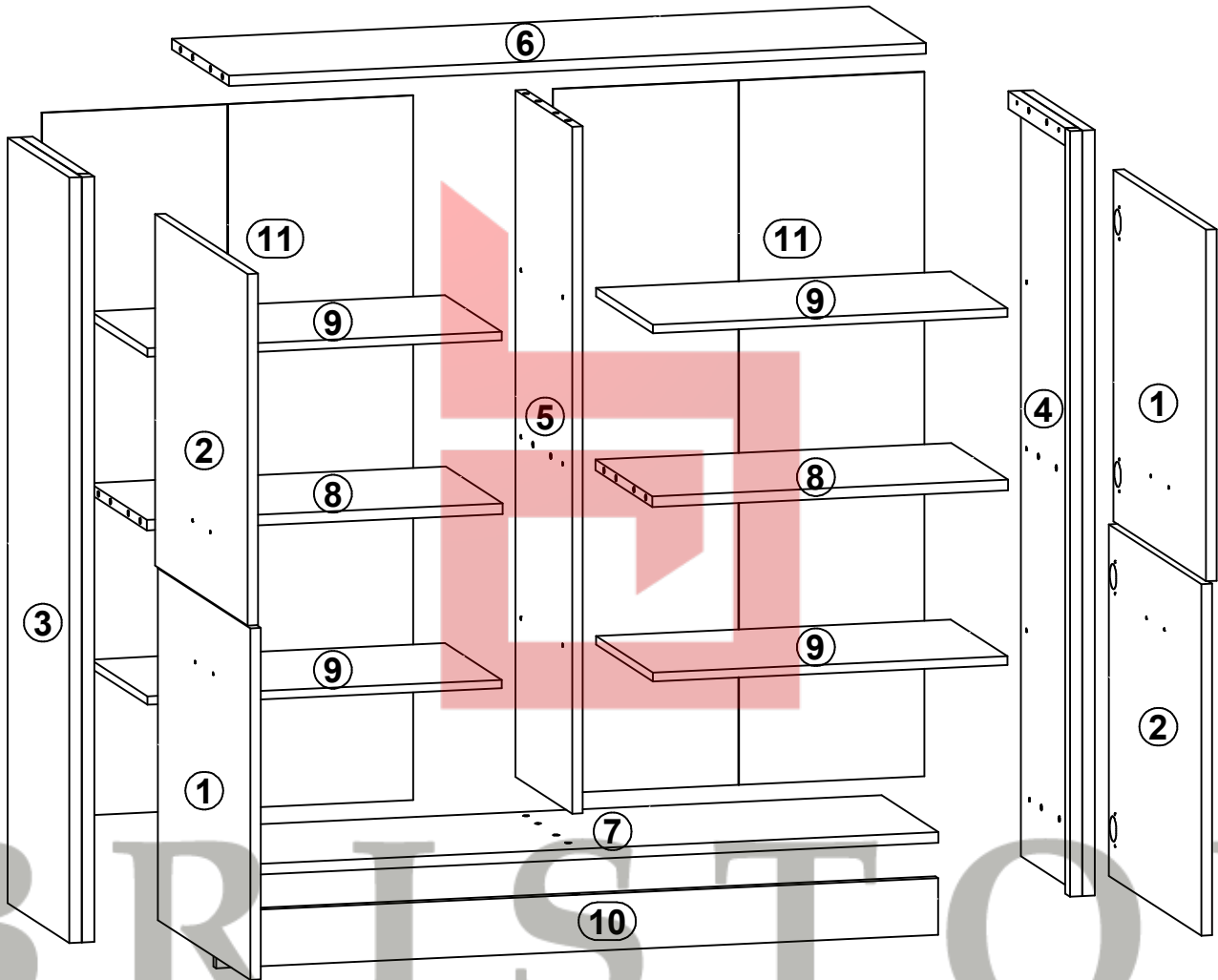
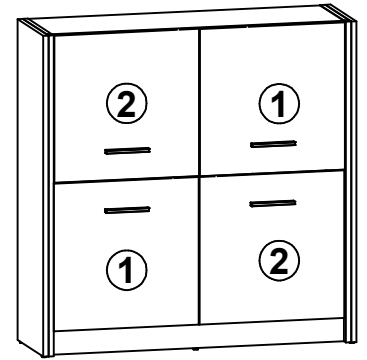


SETI

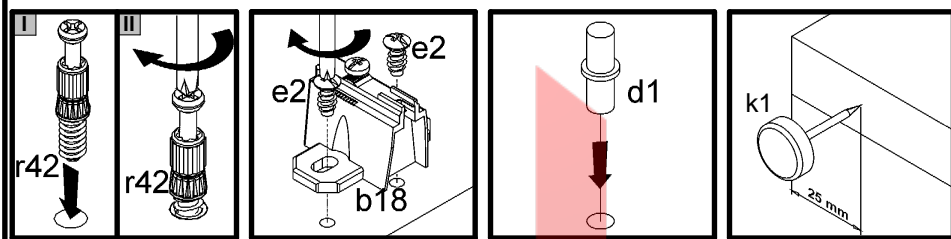
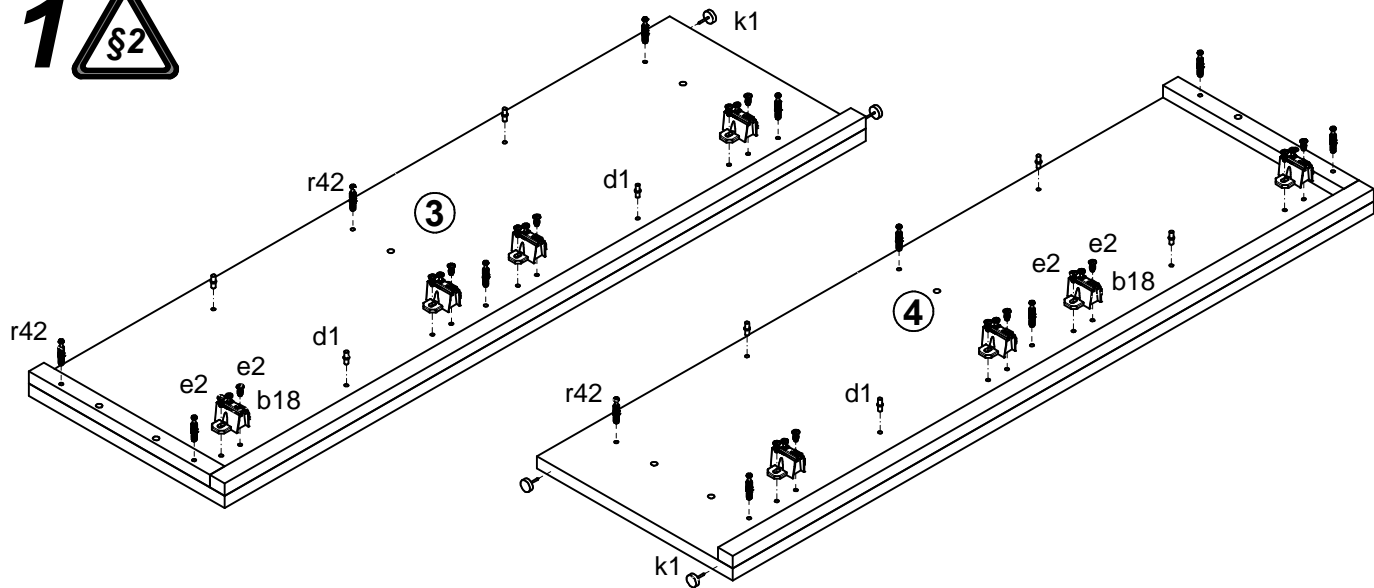
S135-KOM4D

A	B	C	D	
1	S135-011	496	496	2/2
2	S135-012	496	496	2/2
3	S135-123	1080	330	1/2
4	S135-124	1080	330	1/2
5	S135-125	969	305	1/2
6	S135-329	1001	305	1/2
7	S135-330	1037	305	1/2
8	S135-331	511	305	1/2
9	S135-334	510	305	1/2
10	S135-411	1037	80	1/2
11	S135-914	994	533	1/2

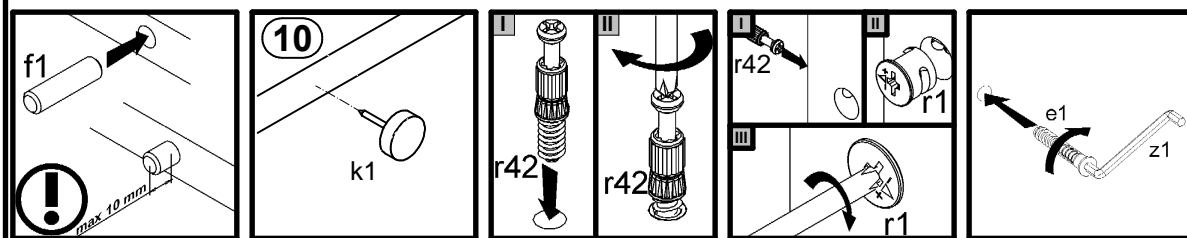
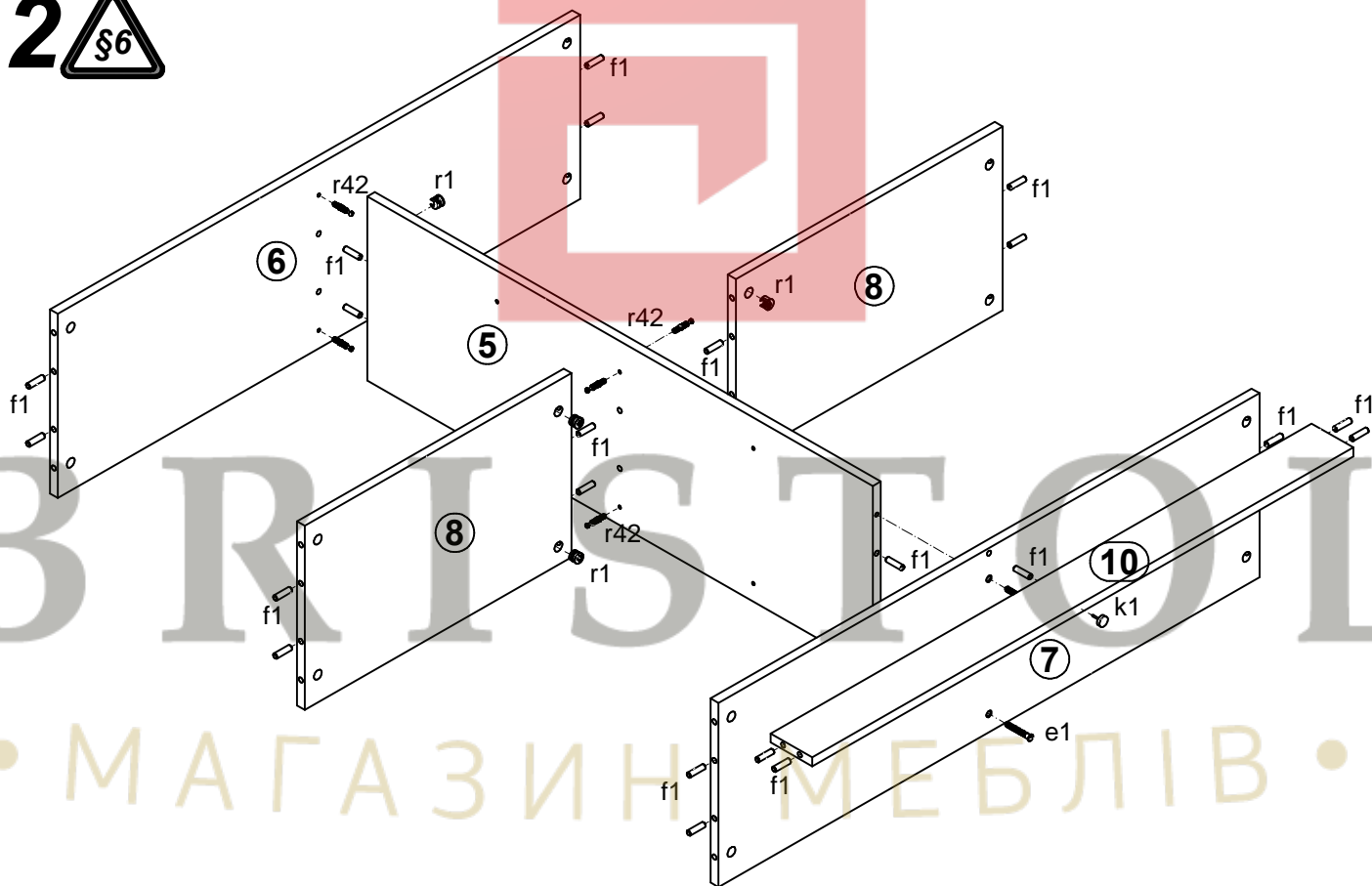


8x a43	8x b18	4x c296	16x d1	2x e1	16x e2	25x f1	5x k1	70x l1
8x p50	16x p51	18x r1	18x r42	1x z1	1x n26	1x p38	2x s2	

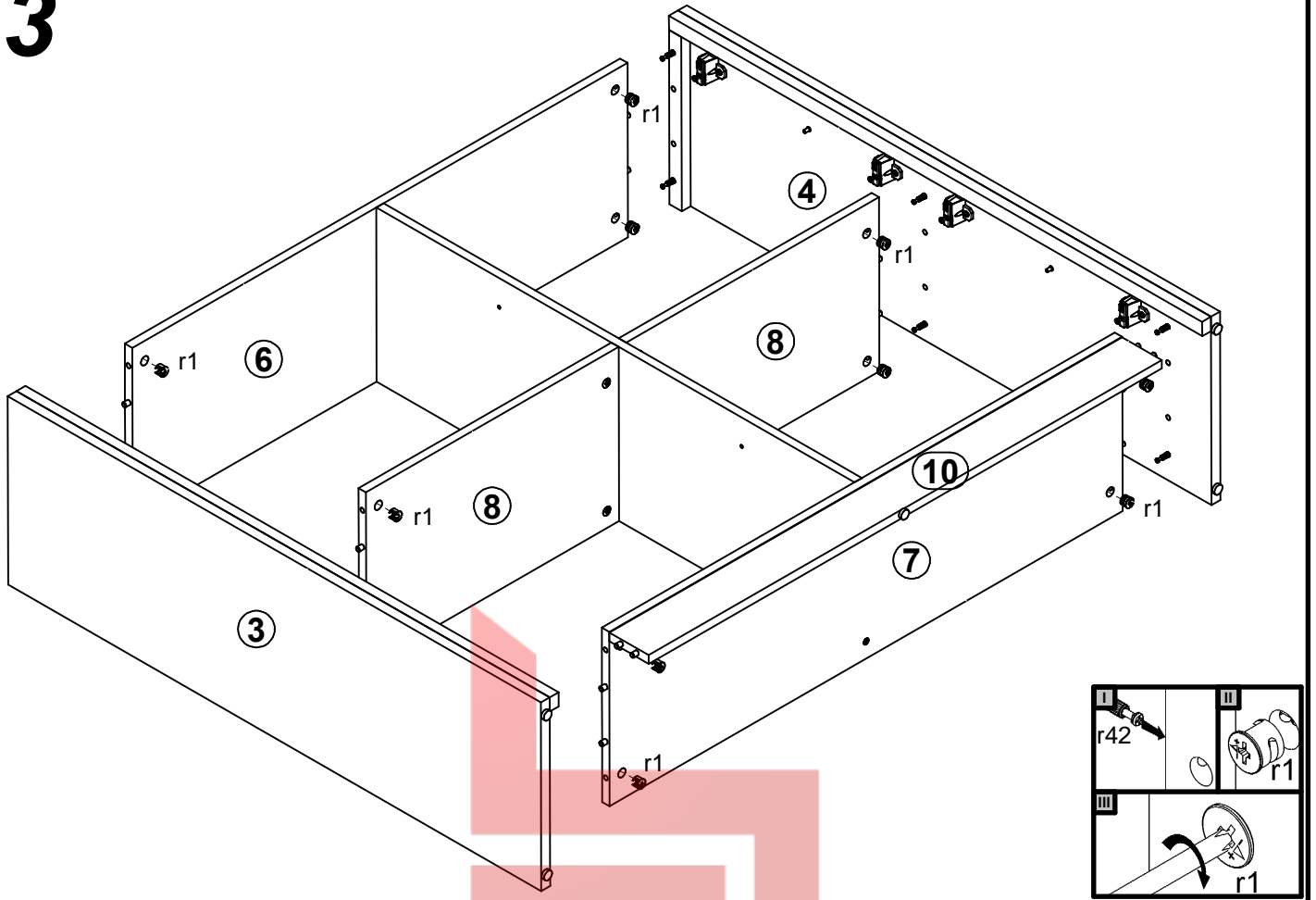
1



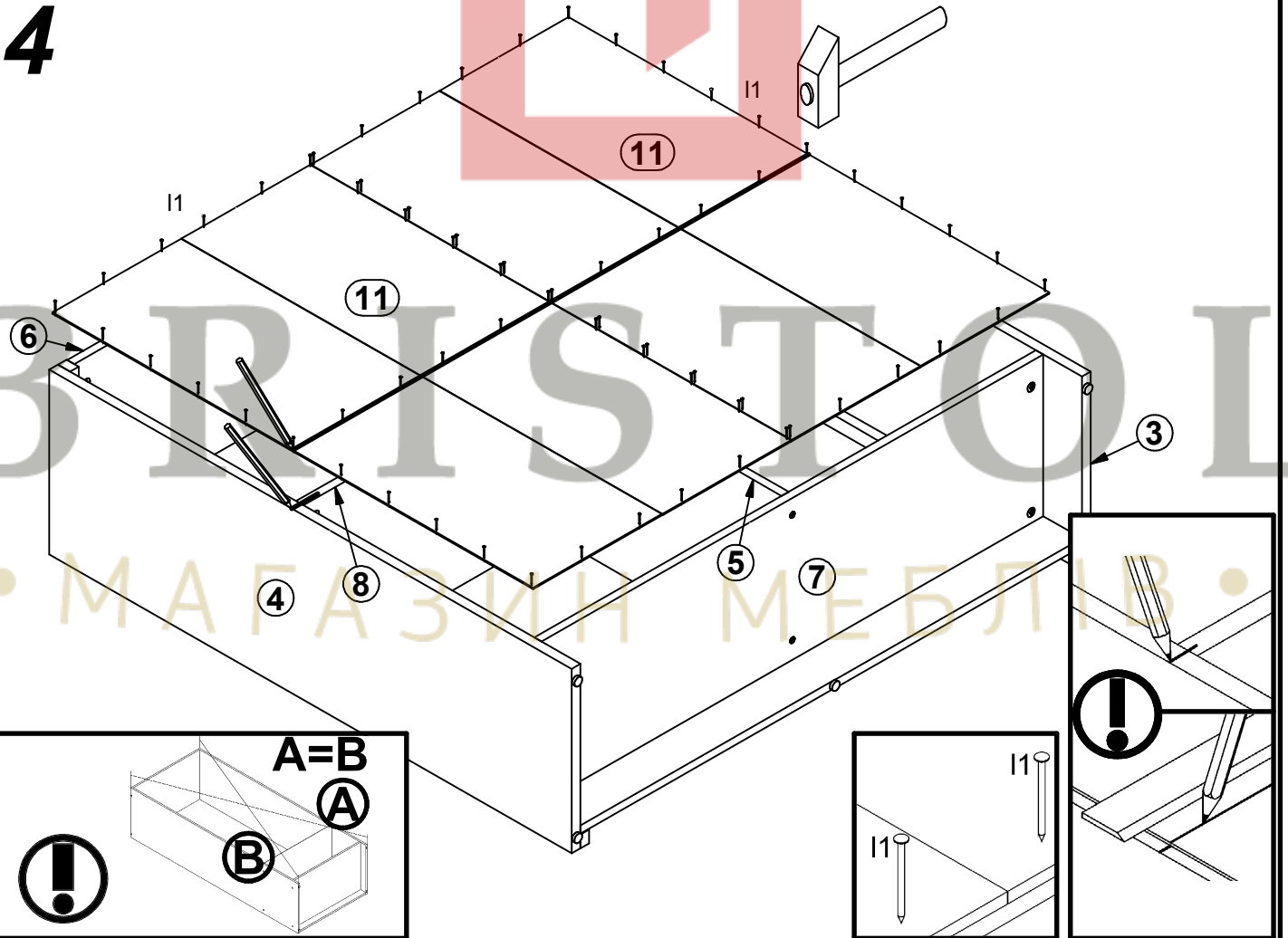
2



3



4



5

