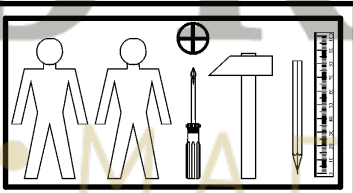
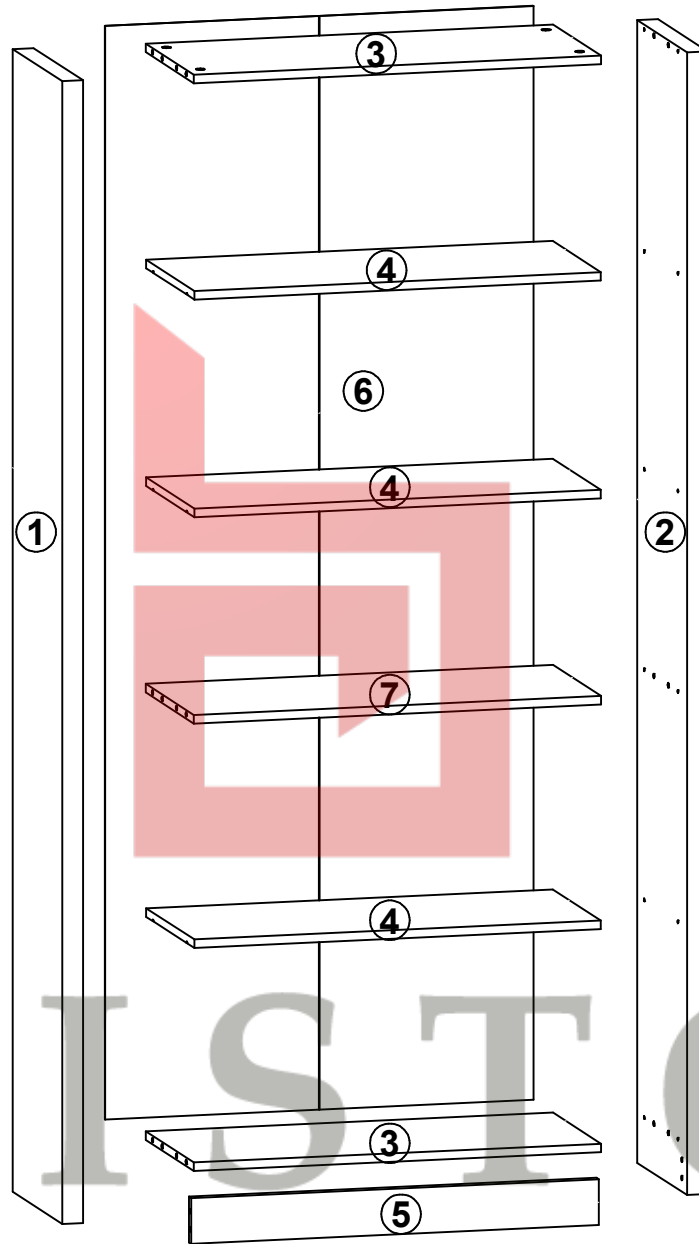
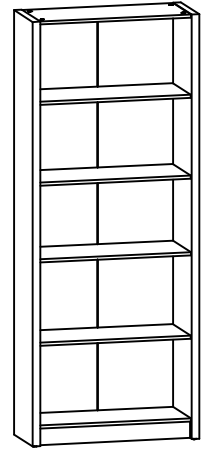


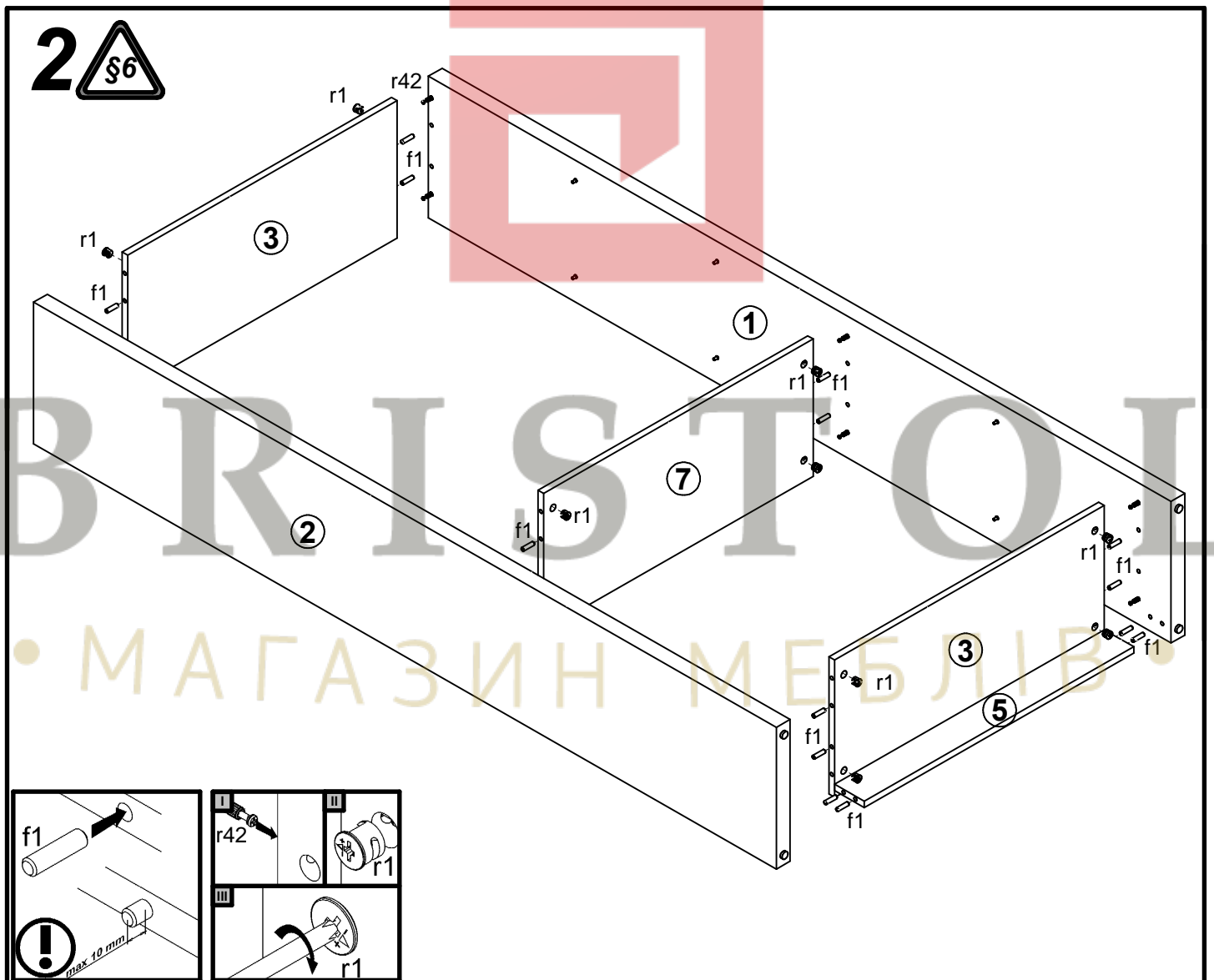
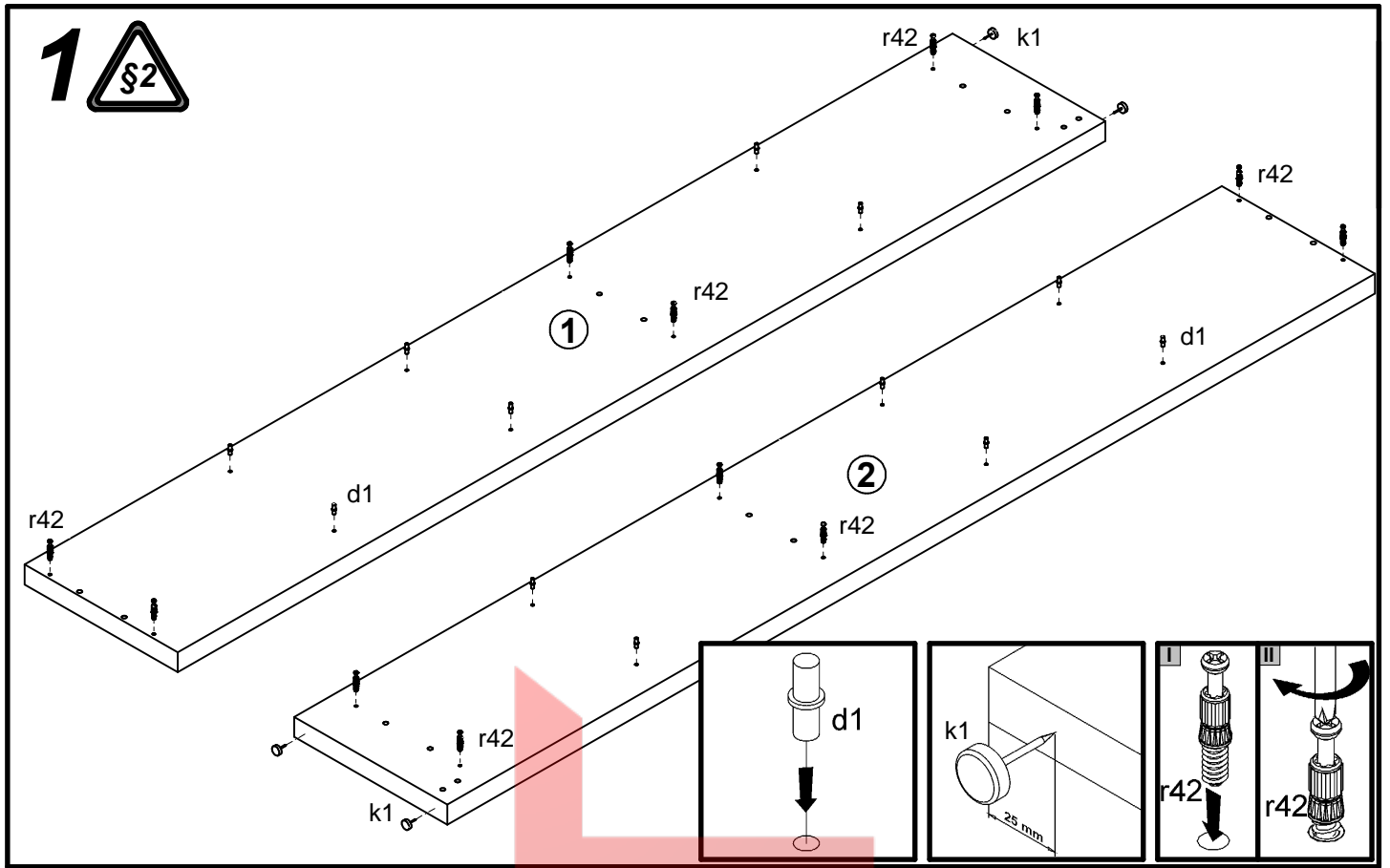
SETI

S135-REG/80

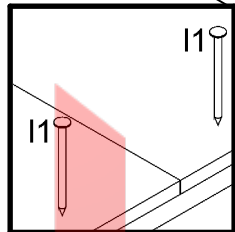
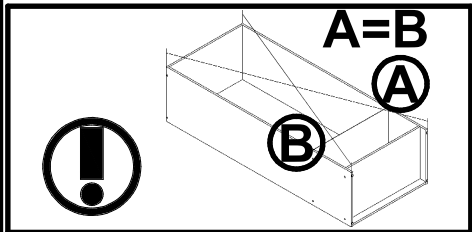
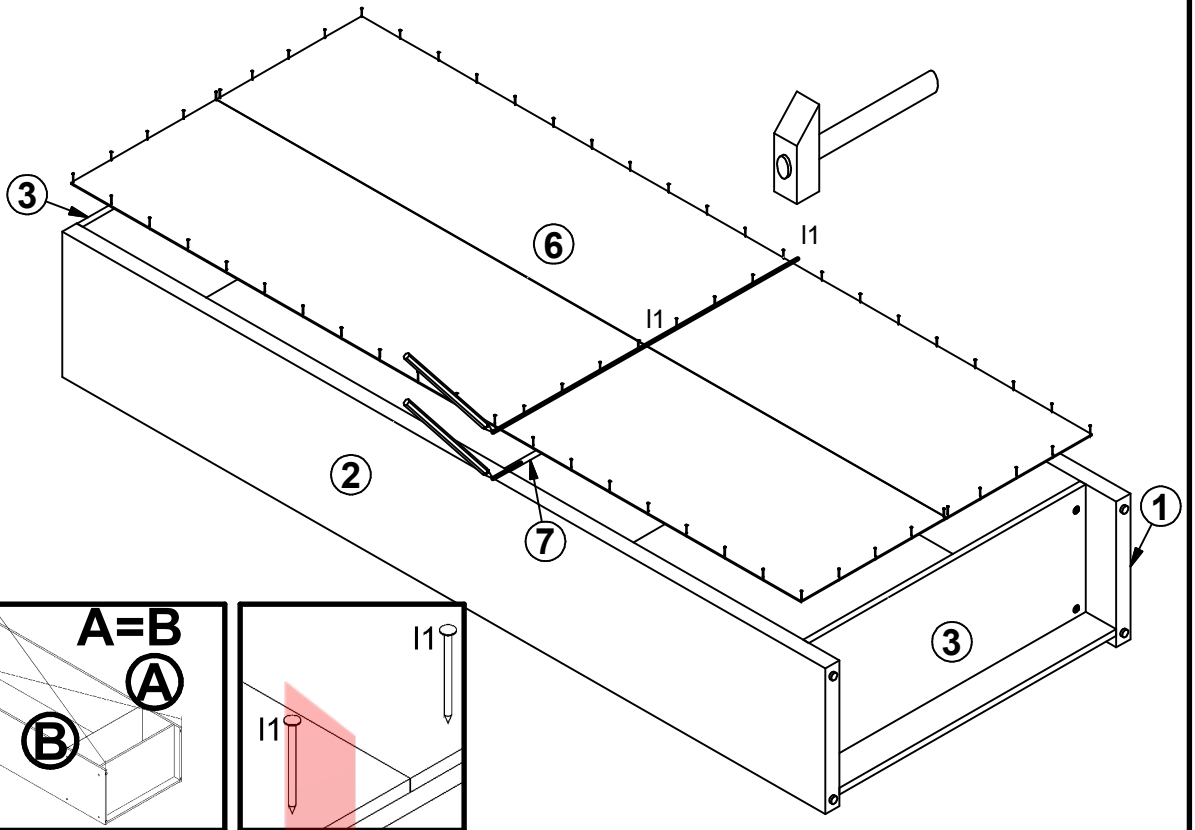
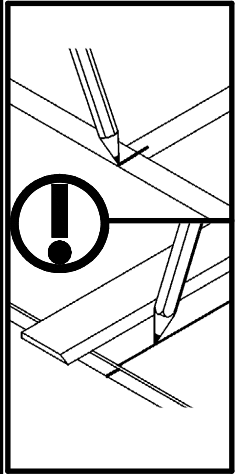
A	B	C	D
1	S135-105	2000	330
2	S135-106	2000	330
3	S135-304	726	320
4	S135-305	725	320
7	S135-362	726	320
5	S135-402	726	80
6	S135-904	1914	763



12x φ5x17 mm d1	16x φ8x30 mm f1	4x k1	65x l1	12x φ1.5x12mm #16 r1	12x r42	4x φ16 s2	1x n26\1	1x φ3.5x16 mm p38
-----------------------	-----------------------	----------	-----------	----------------------------	------------	-----------------	-------------	-------------------------



3



4

