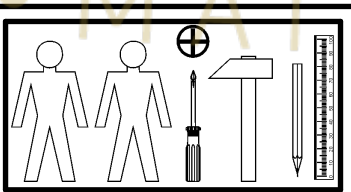
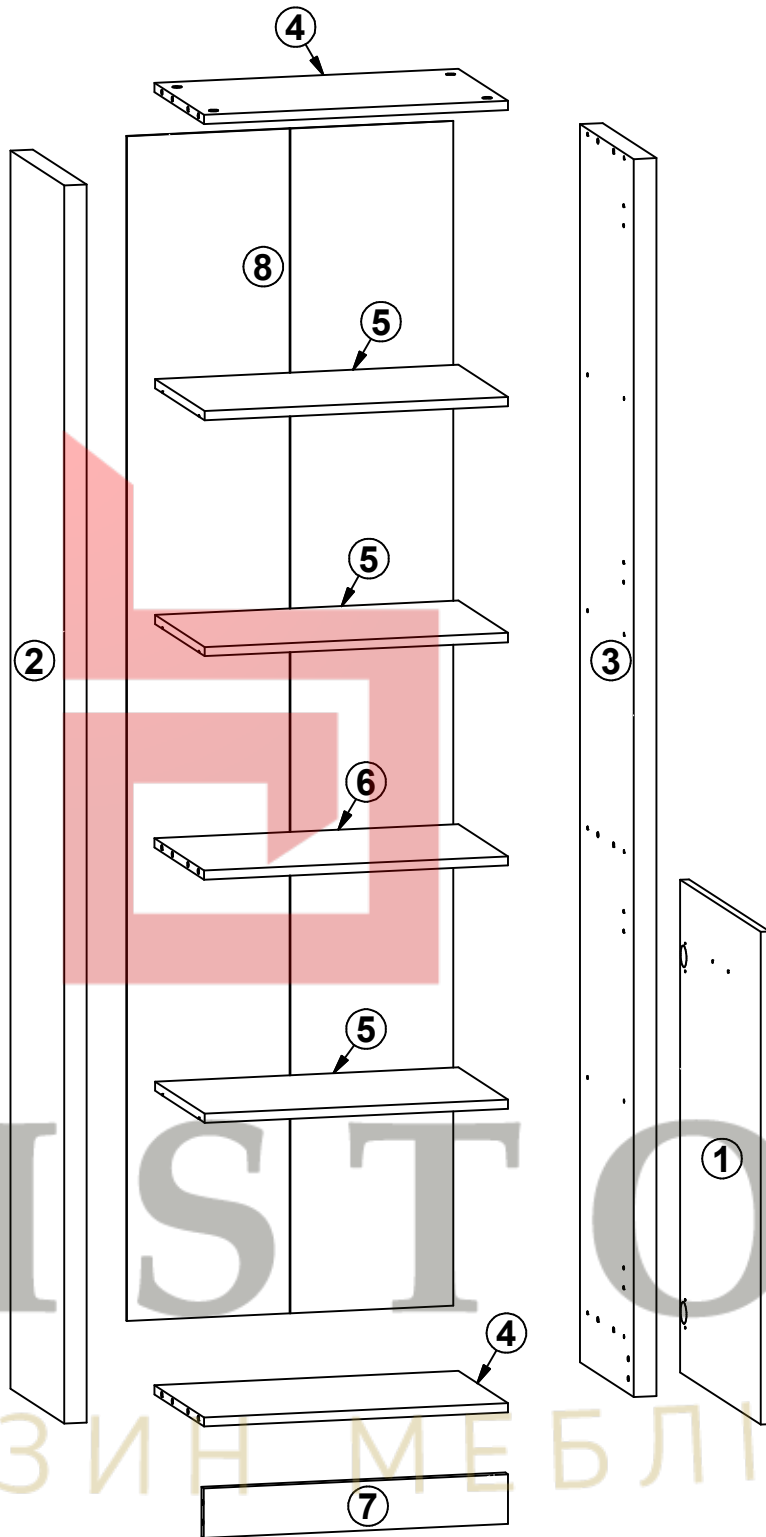
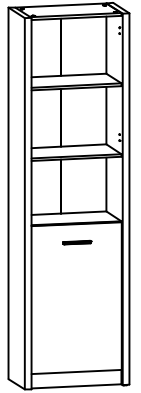


SETI

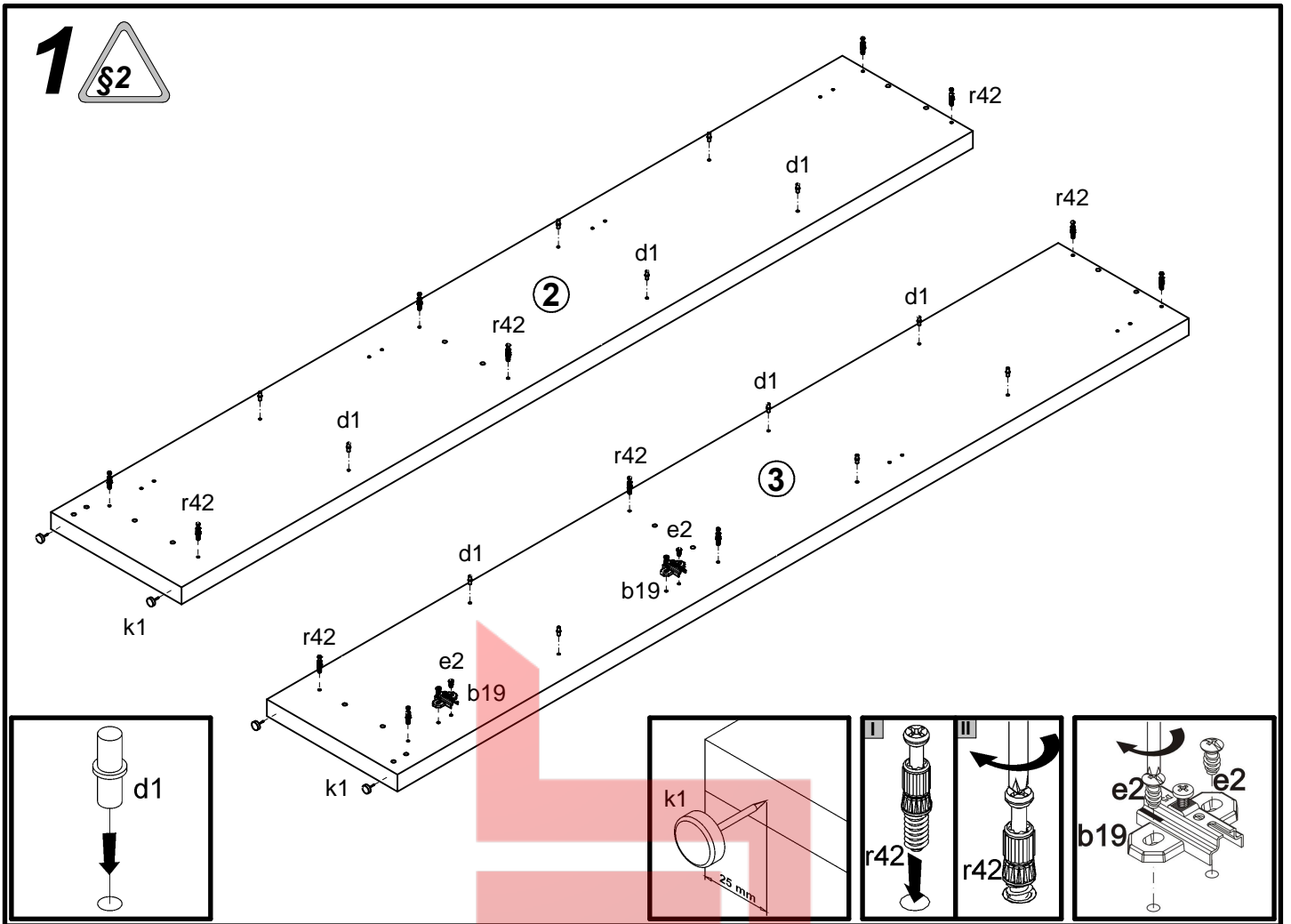
S135-REG1D/57P

A	B	C	D
1	S135-026	796	495
2	S135-107	2000	330
3	S135-108	2000	330
4	S135-307	500	305
5	S135-308	499	305
6	S135-363	500	305
7	S135-403	500	80
8	S135-905	1914	537



2x a43	2x b19	1x L=146/96 c29613	12x φ5x17 mm d1	4x φ6,3x13 mm e2	16x φ8x30 mm f1	4x k1	55x l1	2x φ2,9x24 mm p50
4x φ3,5x15 mm p51	12x φ15x12mm #16 r1	12x r42	4x ø16 s2	1x n2611	1x φ3,5x16 mm p38			

1 §2



2 §6

