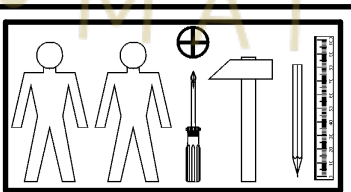
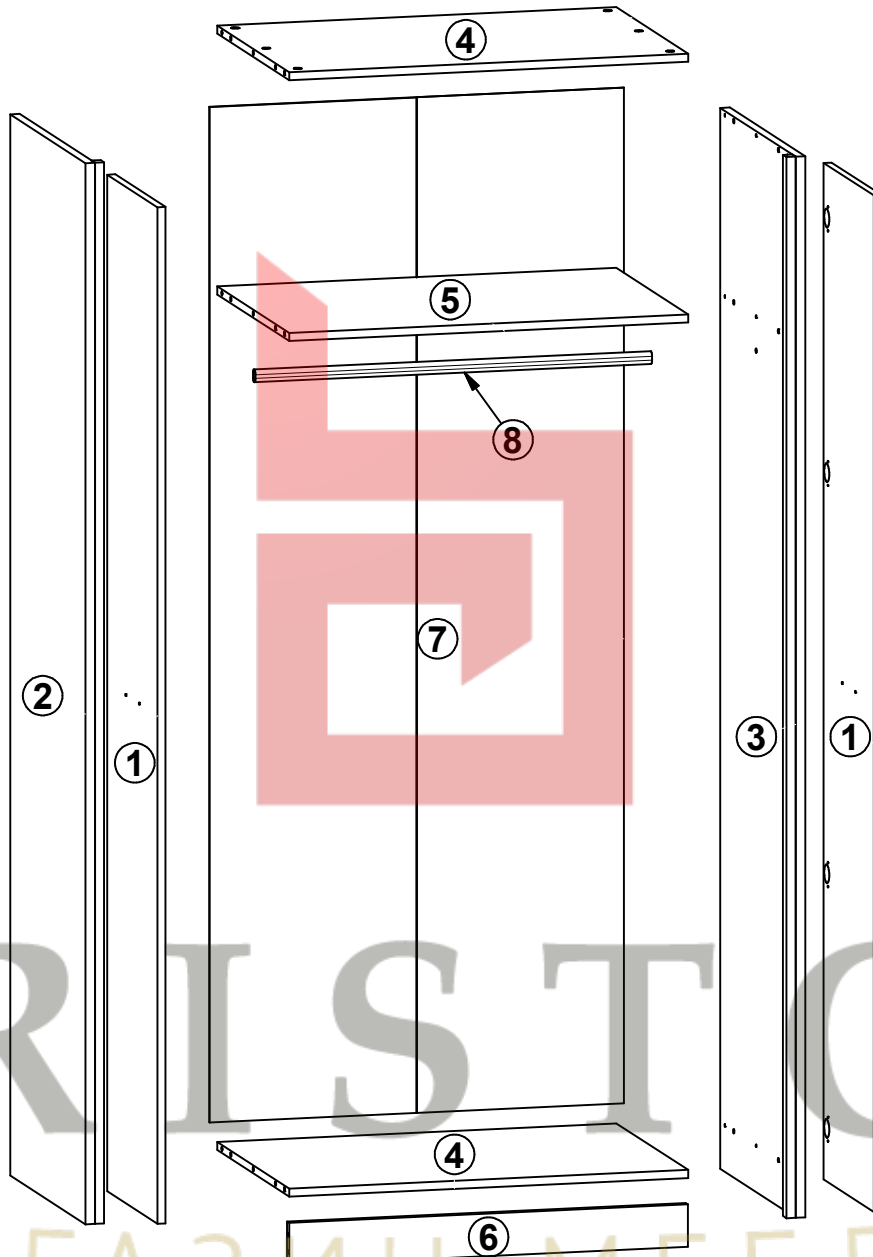
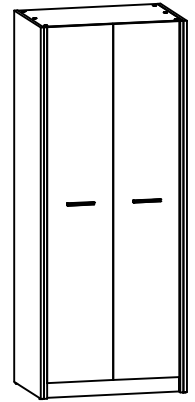


SETI

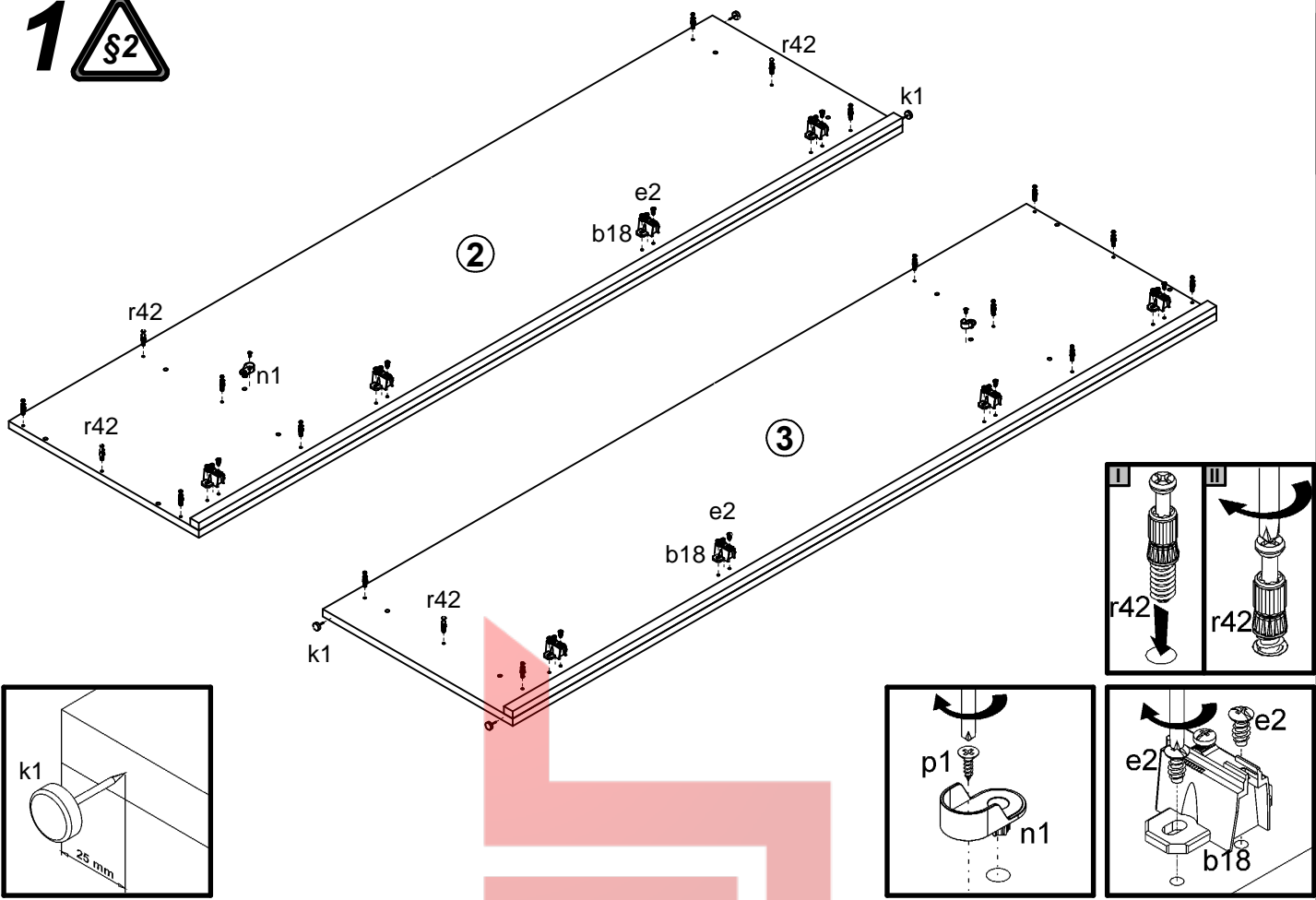
S135-SZF2D

A	B	C	D
1	S135-024	1916	360 3/3
2	S135-157	2000	540 1/3
3	S135-158	2000	540 1/3
4	S135-361	765	515 2/3
5	S135-369	765	515 2/3
6	S135-418	765	80 2/3
7	S135-930	1914	795 1/3
8	dr-761	761	22 2/3



8x a43	8x D22.5 b18	2x L=146/96 c296/3	16x e2 φ6.3x13 mm	16x f1 φ8x30 mm	4x k1	65x l1	2x n1	2x p1 φ3.5x13 mm
4x p50 φ2.5x24 mm	16x p51 φ3.5x15 mm	18x r1 φ1.5x12mm #16	18x r42	1x n26/1	1x p38 φ3.5x16 mm	6x s2 ø16		

1 



2 

