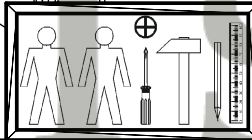
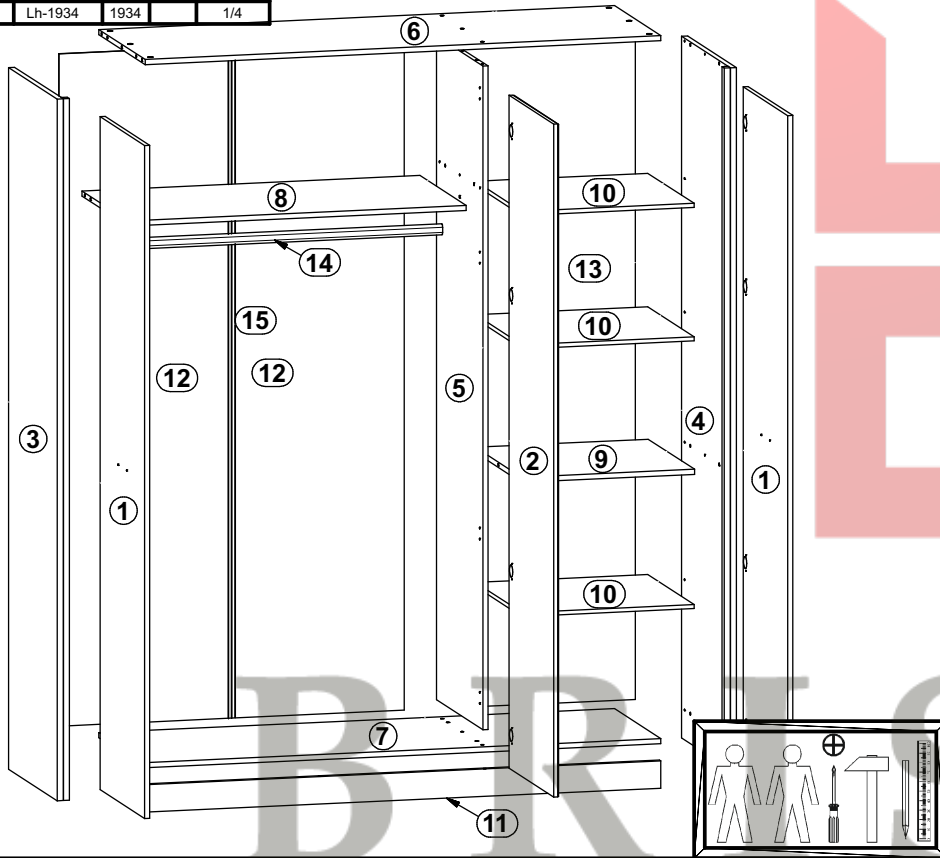
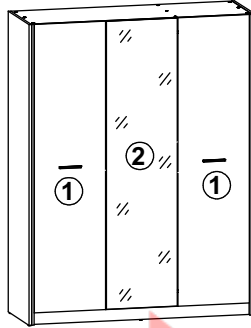


# SETI

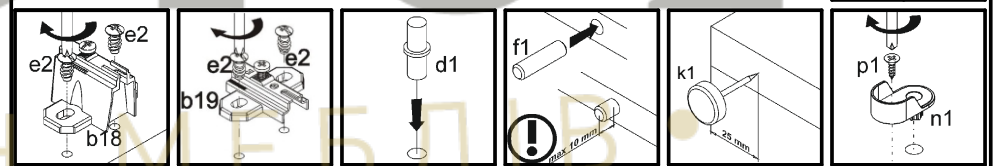
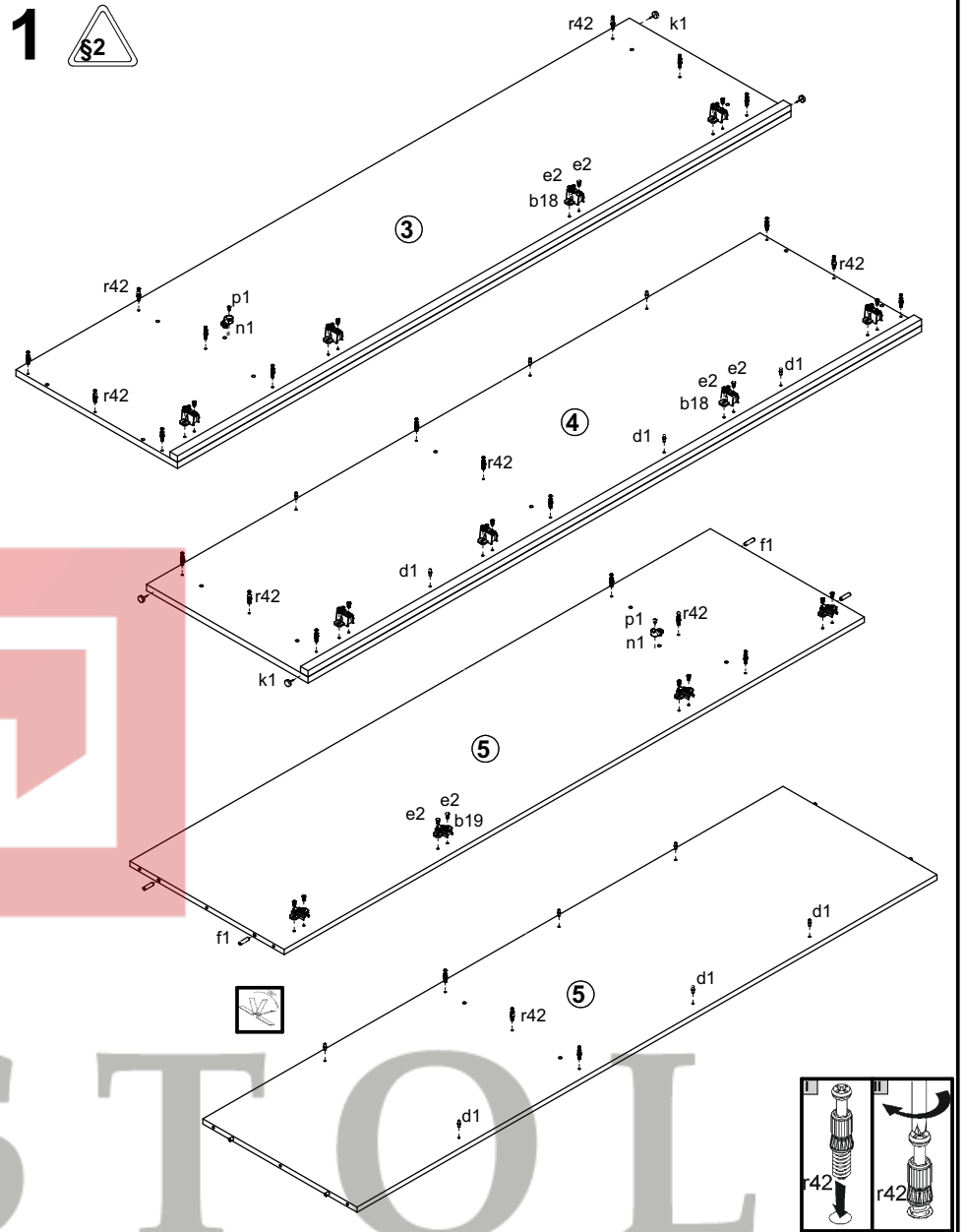
# S135-SZF3D

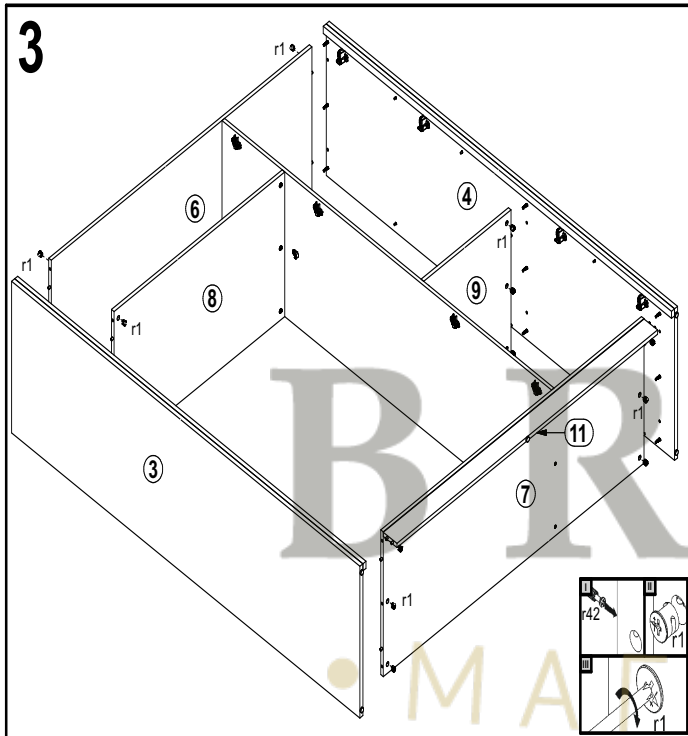
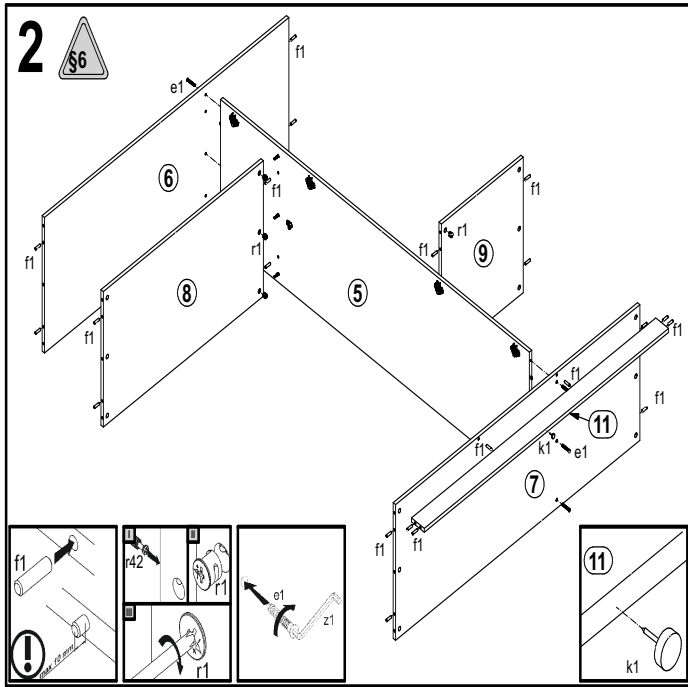
A	B	C	D	
1	S135-0005	1966	495	4/4
2	S135-0006	1966	495	4/4
3	S135-1109	2050	540	1/4
4	S135-1110	2050	540	1/4
5	S135-1111	1937.5	515	1/4
6	S135-3310	1534	515	2/4
7	S135-3311	1534	515	2/4
8	S135-3312	1005	515	2/4
9	S135-3313	513	515	3/4
10	S135-314	512	515	3/4
11	S135-4404	1534	80	2/4
12	S135-9906	1964	515	1/4
13	S135-9907	1964	537	1/4
14	dr-999	999	30	2/4
15	Lh-1934	1934		1/4



8x a43	4x a44	8x b18	4x b19	2x c29613	12x d1	6x e1	24x e2	26x f1
5x k1	125x l1	2x n1	2x p1	24x p51	4x p50	24x r1	24x r42	6x s2
1x z1								

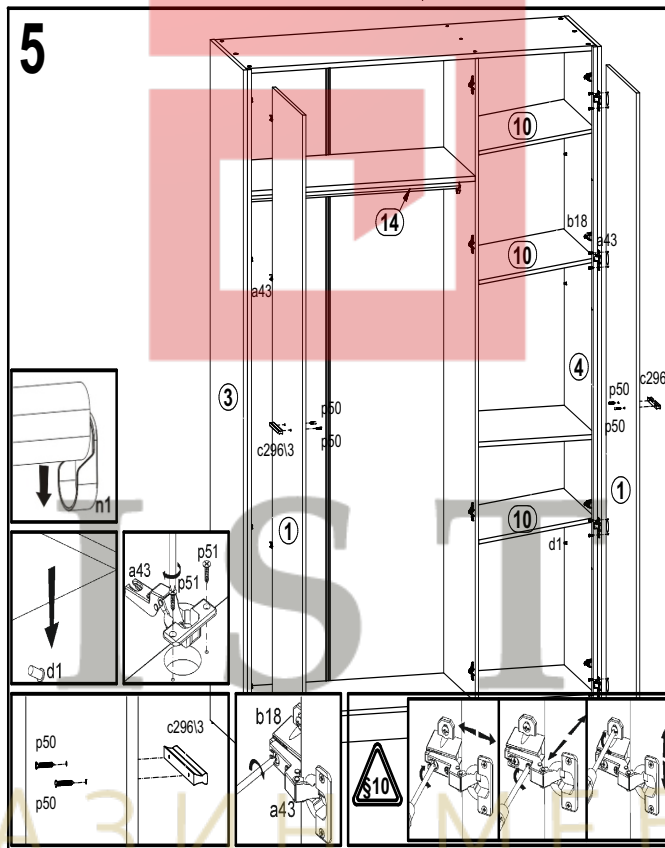
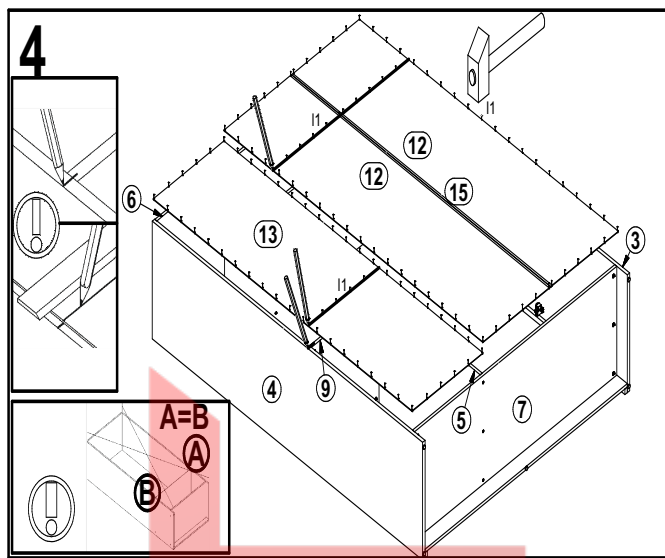
# 1





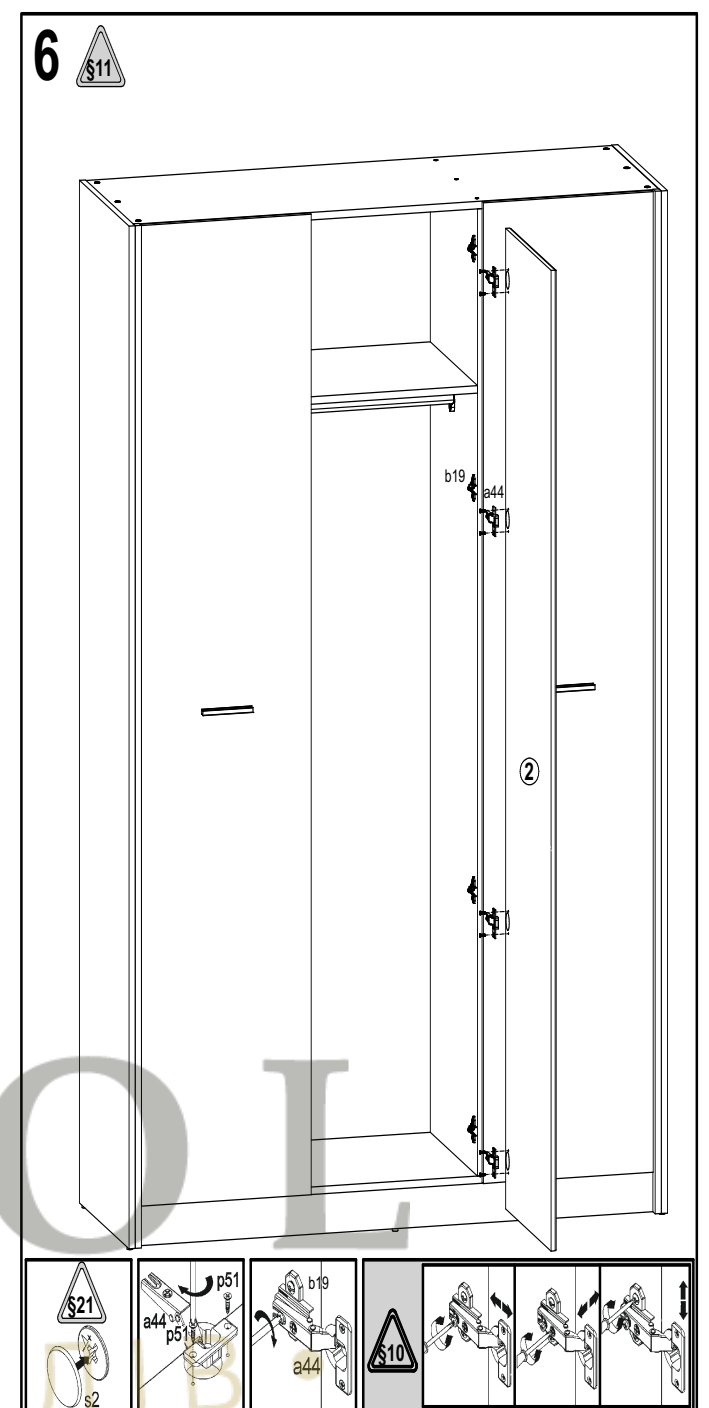
3 / 5

P28-S135-SZF3D



4 / 5

P28-S135-SZF3D



5 / 5

P28-S135-SZF3D