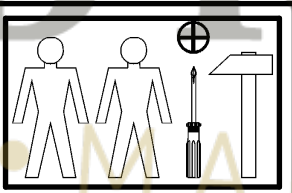
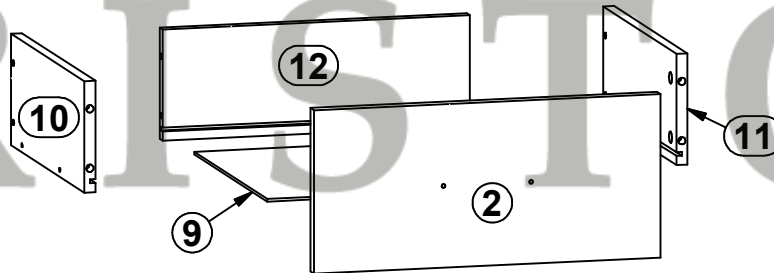
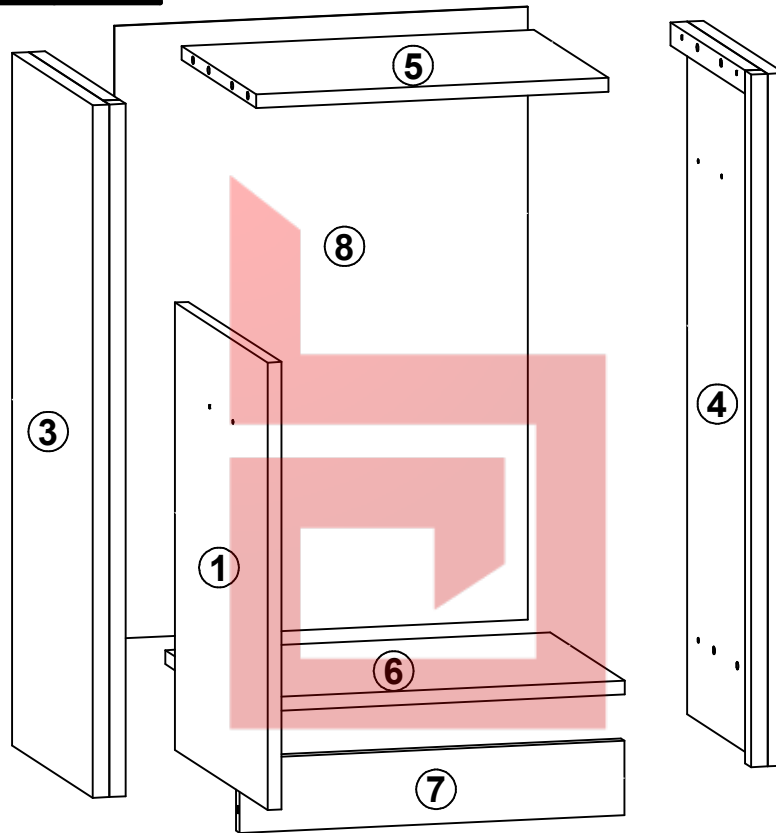
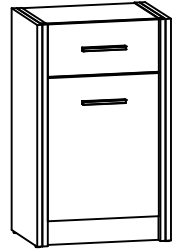


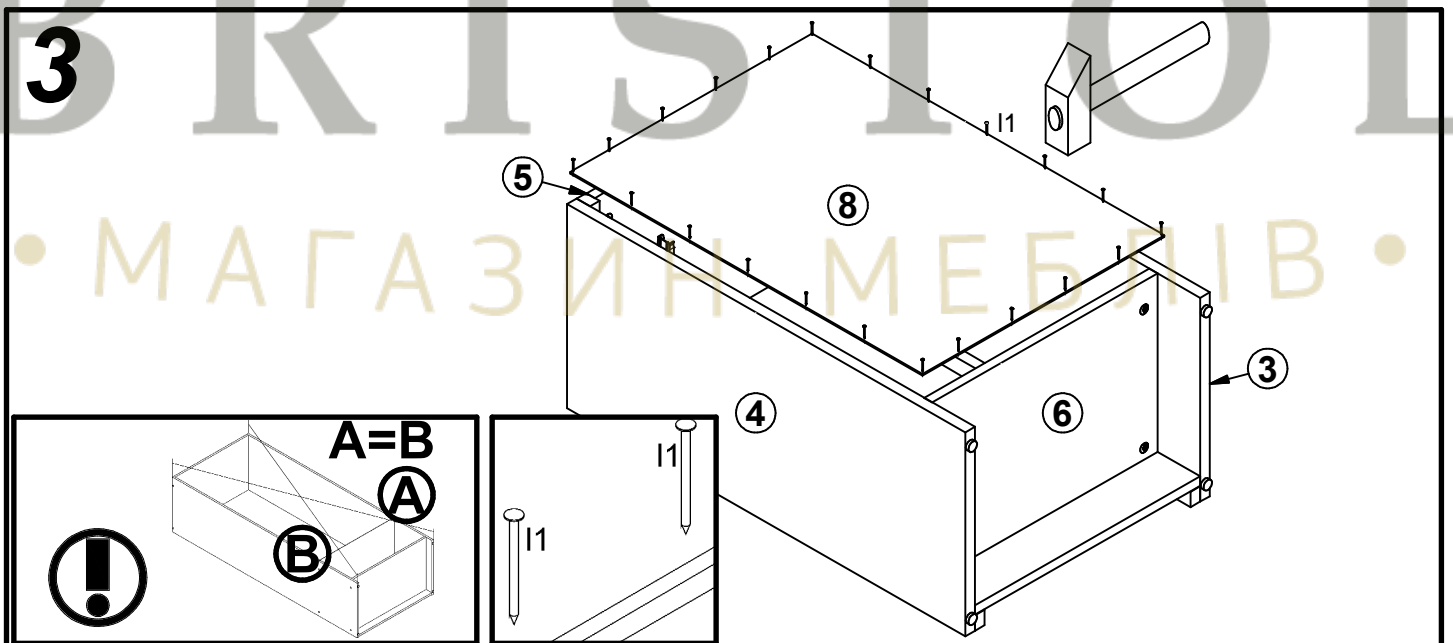
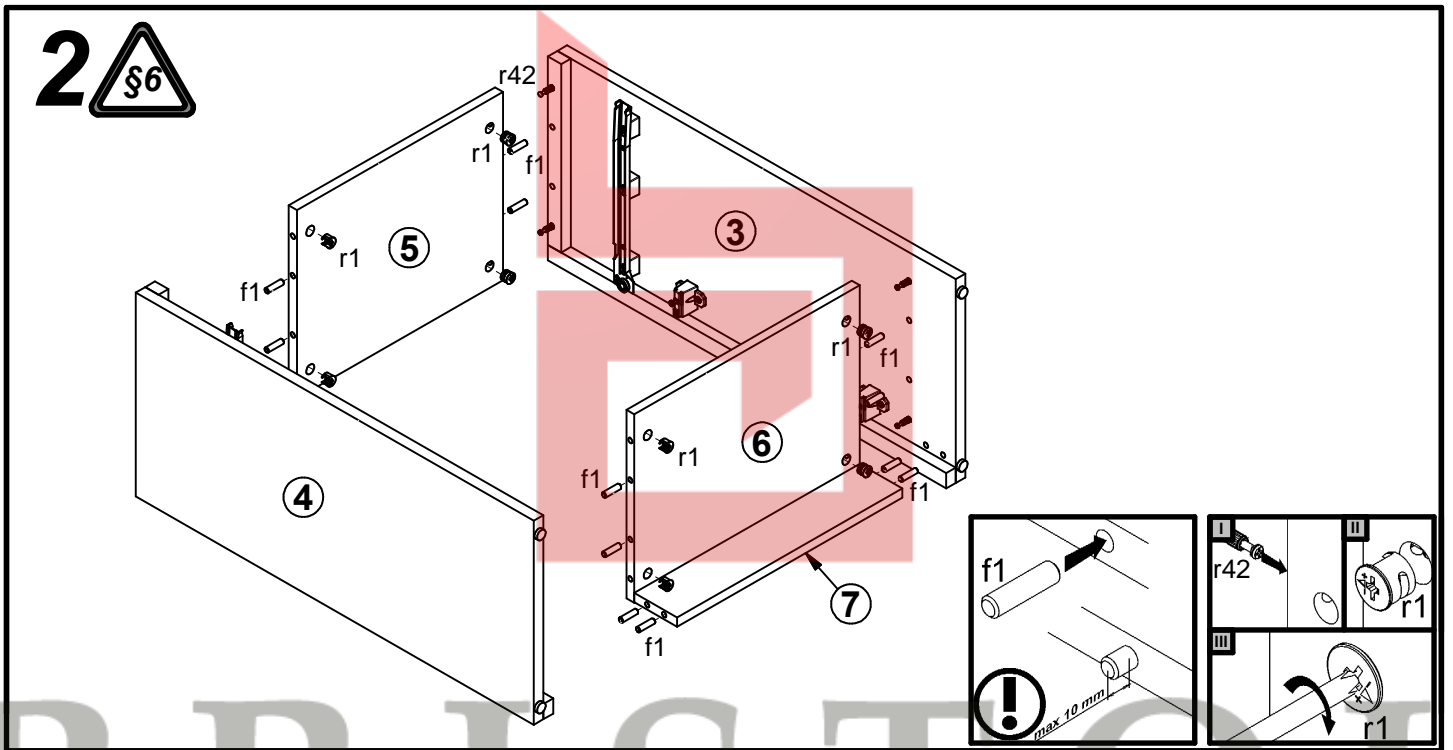
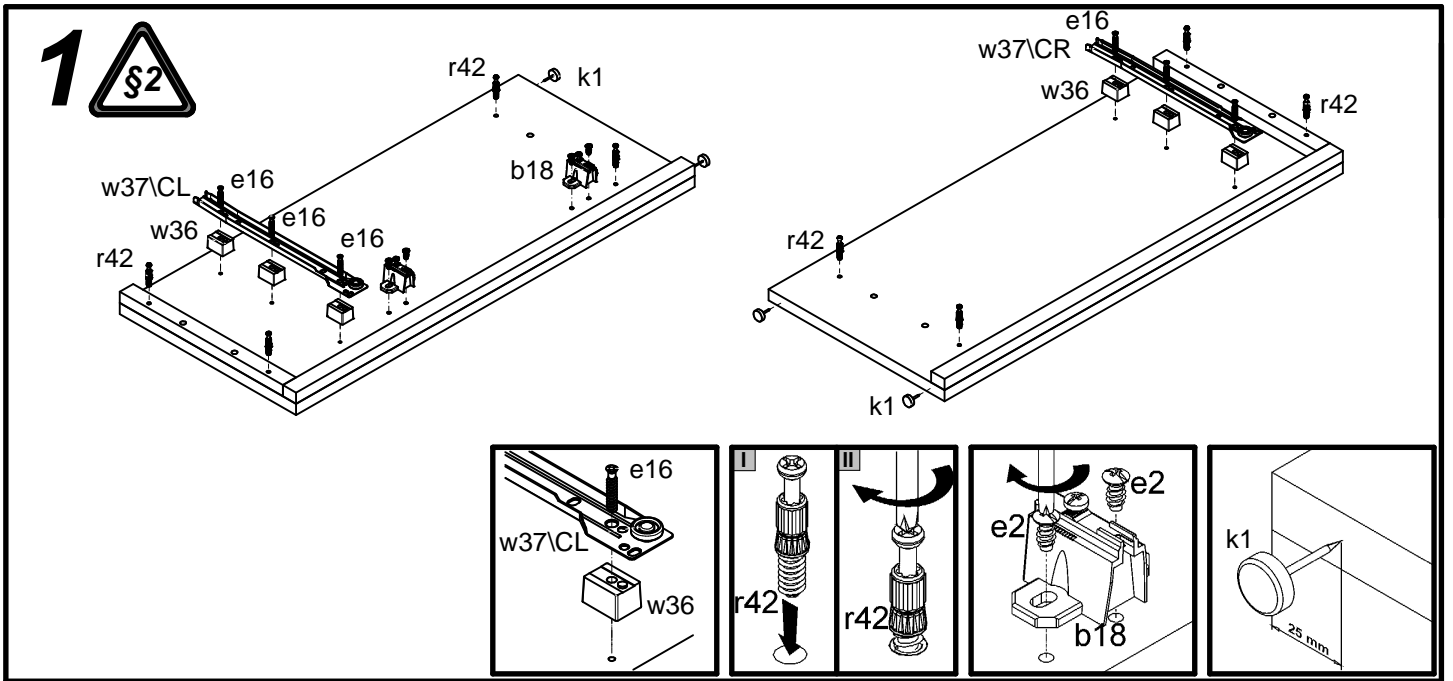
SETI

S135-KOM1D1S

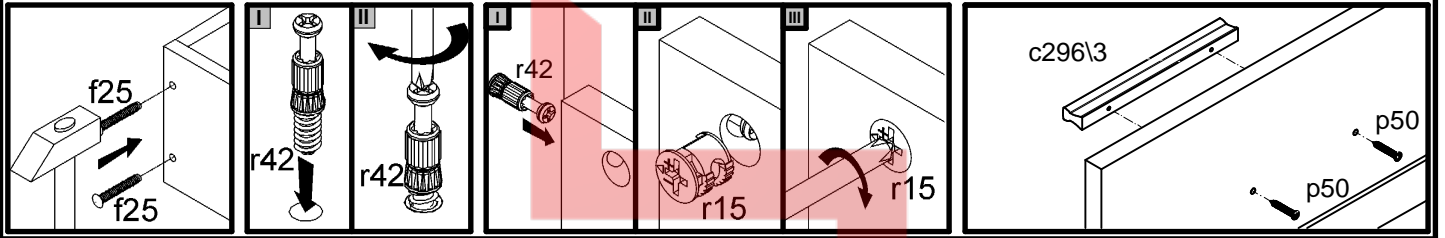
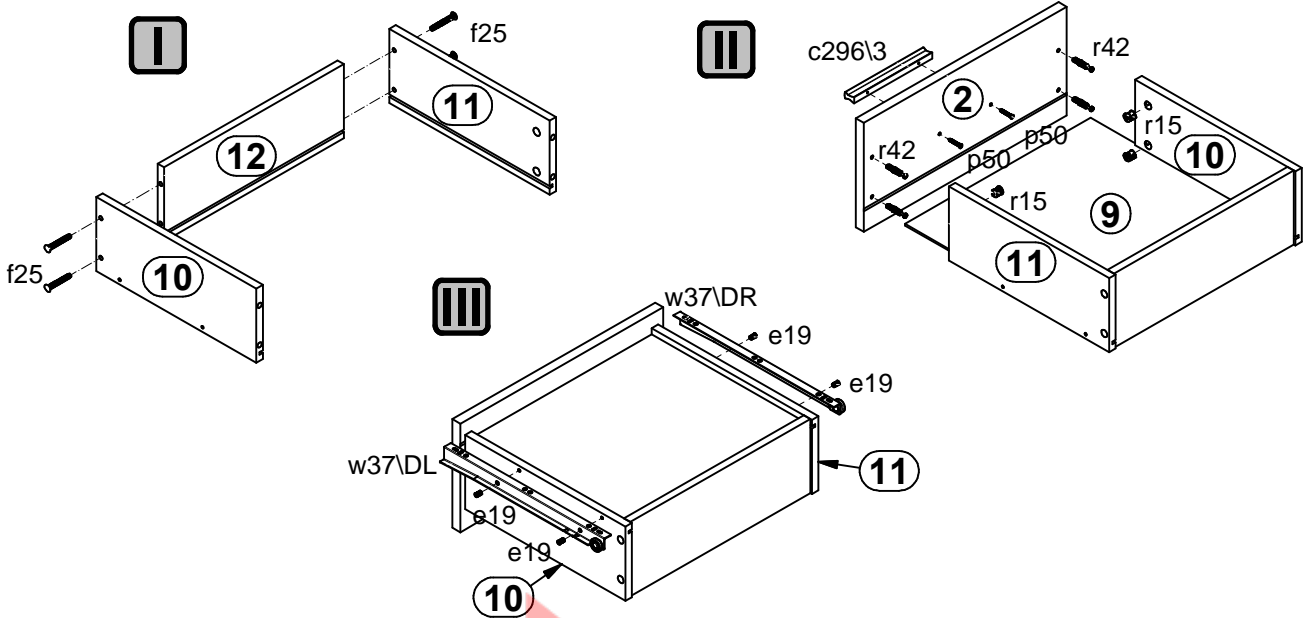
A	B	C	D
1	S135-007	380	482 2/2
2	S135-025	380	176 2/2
3	S135-153	746	330 1/2
4	S135-154	746	330 1/2
5	S135-357	386	305 1/2
6	S135-358	422	305 1/2
7	S135-426	422	80 1/2
8	S135-927	660	453 1/2
9	S135-928	347	298 1/2
10	ZS2-507	300	120 1/2
11	ZS2-508	300	120 1/2
12	ZS2-5566	337	120 1/2



2x a43	2x b18	2x c296\3 L=146\96	4x e2 φ6,3x13 mm	6x e16 φ6x30 mm	4x e19 φ5x9 mm	12x f1 φ8x30 mm	4x f25 φ6,5x40 mm	4x k1		
30x l1	4x p50 φ2,5x24 mm	4x p51 φ3,5x15 mm	8x r1 φ1,5x12mm #16	4x r15 φ12x10,5mm #12	12x r42	6x w36 h=18 mm	1x w37\CL 300 mm	1x w37\CR 300 mm		
1x w37\DL 300 mm	1x w37\DR 300 mm	1x n26\1	1x p38 φ3,5x16 mm							



4



5

