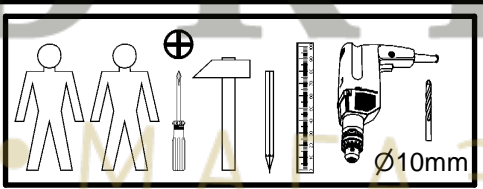
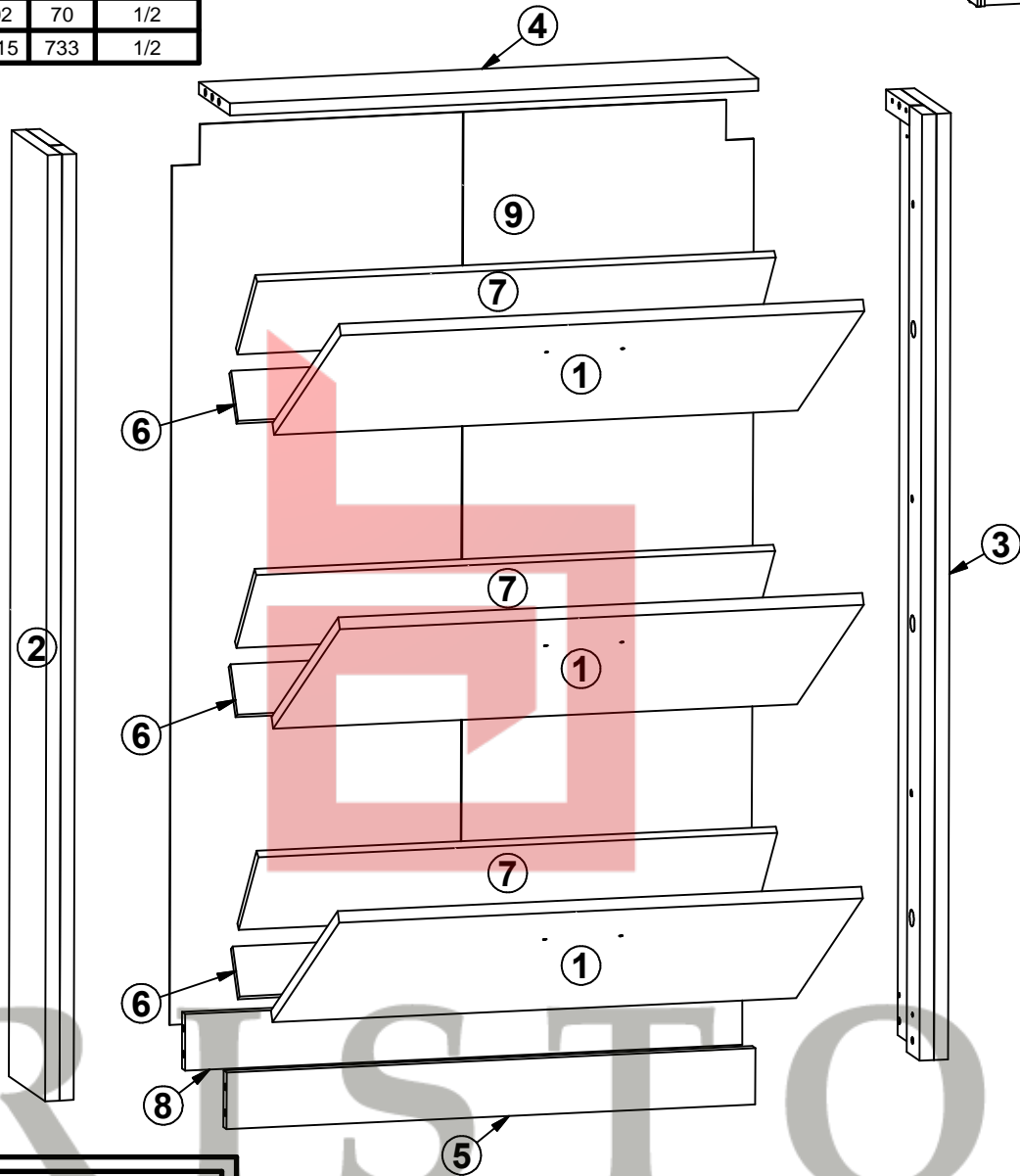
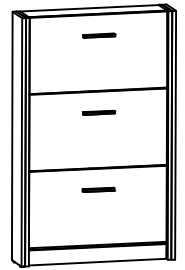


# SETI

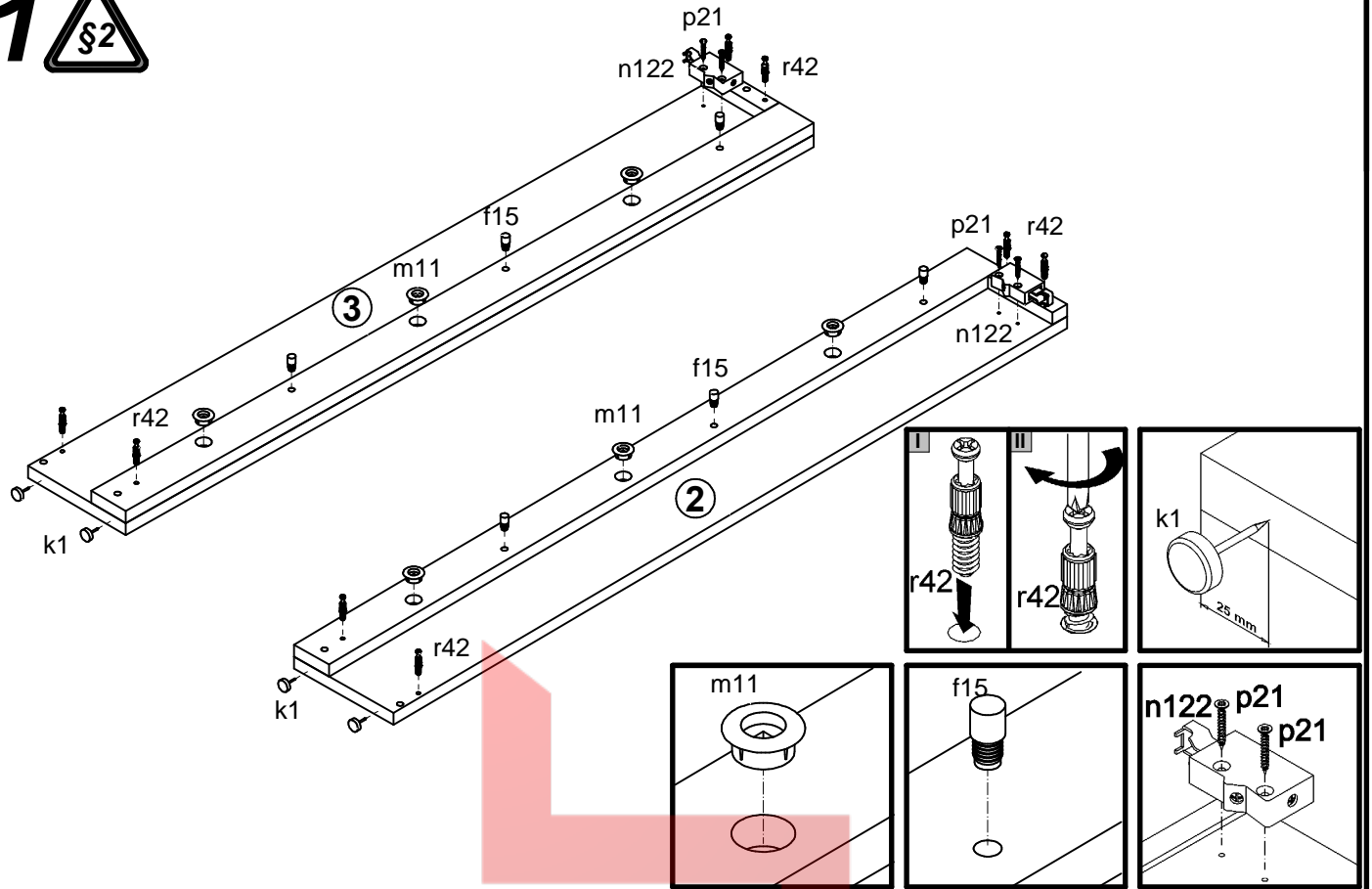
# S135-SFB3B

A	B	C	D
1	S135-013	660	360 2/2
2	S135-128	1173	170 1/2
3	S135-129	1173	170 1/2
4	S135-332	666	145 1/2
5	S135-412	666	70 2/2
6	S135-413	654	65 2/2
7	S135-414	654	140 2/2
8	S135-427	702	70 1/2
9	S135-915	1115	733 1/2

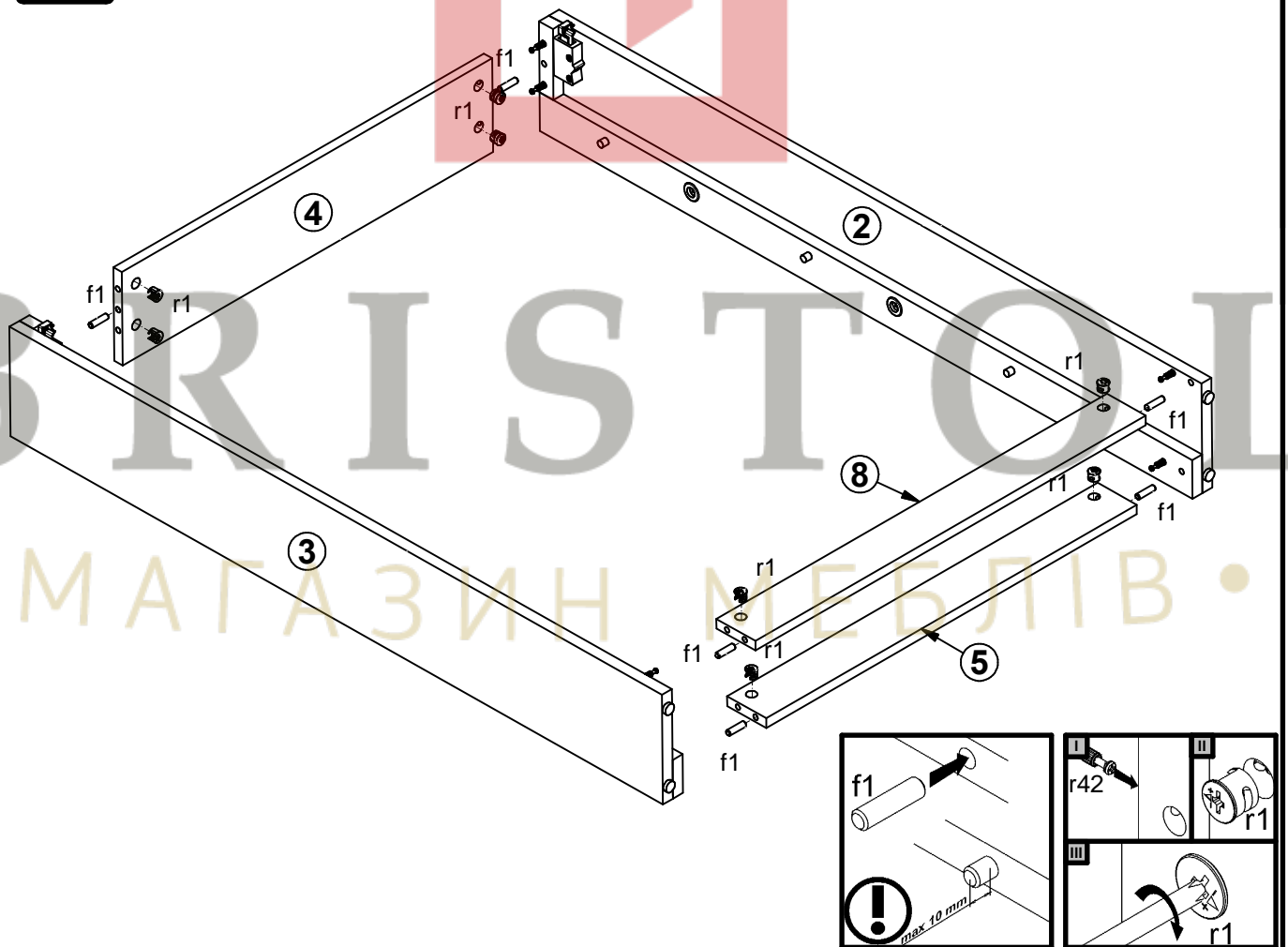


3x L=146/96 <b>c296\3</b>	24x $\phi 6,3 \times 13$ mm <b>e2</b>	6x $\phi 8 \times 30$ mm <b>f1</b>	6x <b>f15</b>	2x $\phi 10 \times 50$ mm <b>f35</b>	4x <b>k1</b>	30x <b>l1</b>	6x <b>m10</b>	6x <b>m11</b>
3x <b>m18\L</b>	3x <b>m18\P</b>	2x <b>n122</b>	24x $\phi 2,5 \times 13$ mm <b>p15</b>	4x $\phi 4 \times 30$ mm <b>p21</b>	4x $\phi 3,5 \times 16$ mm <b>p38</b>	6x $\phi 2,9 \times 24$ mm <b>p50</b>	2x $\phi 6 \times 60$ mm <b>p75</b>	8x $\phi 1,5 \times 12$ mm #16 <b>r1</b>
8x <b>r42</b>								

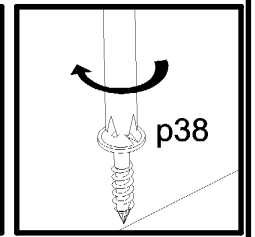
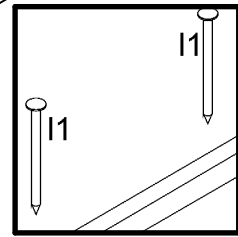
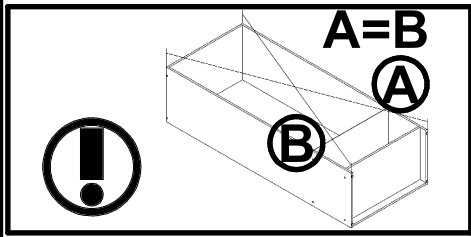
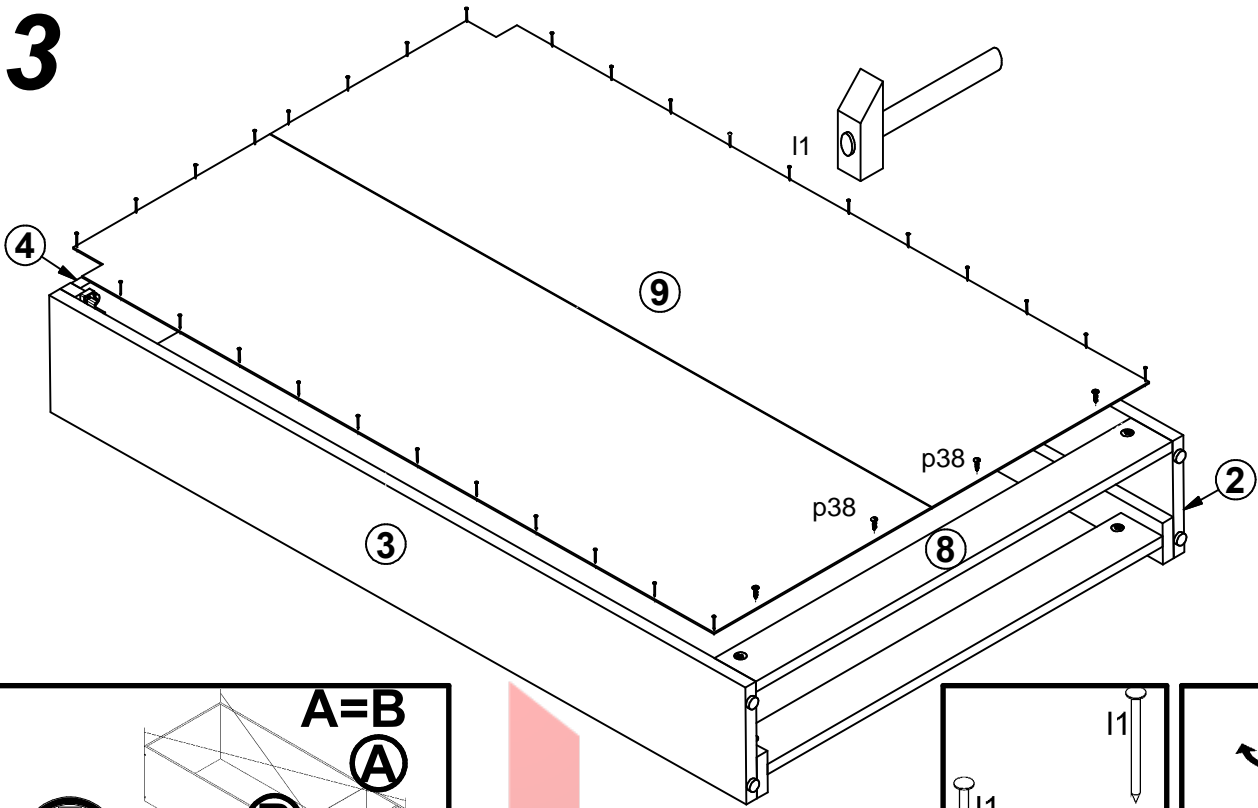
**1** 



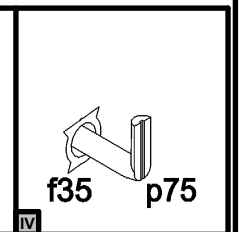
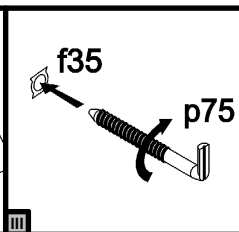
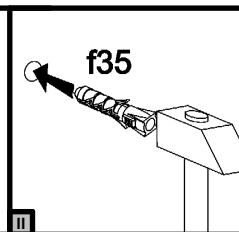
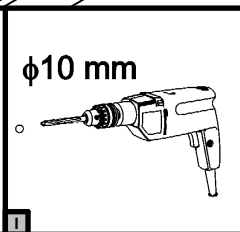
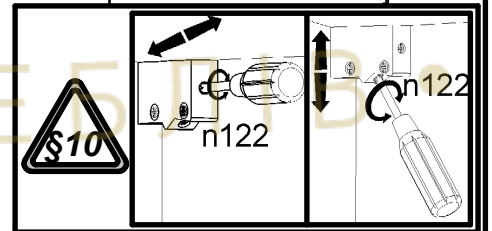
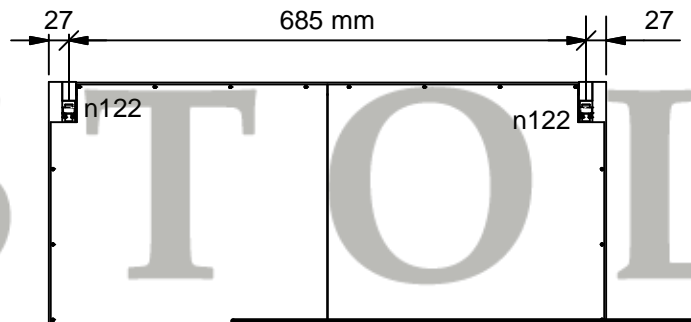
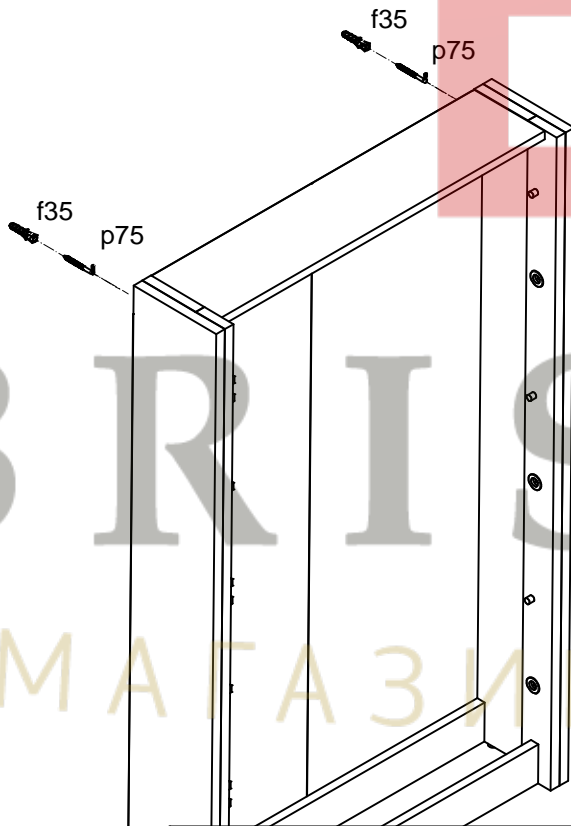
**2** 



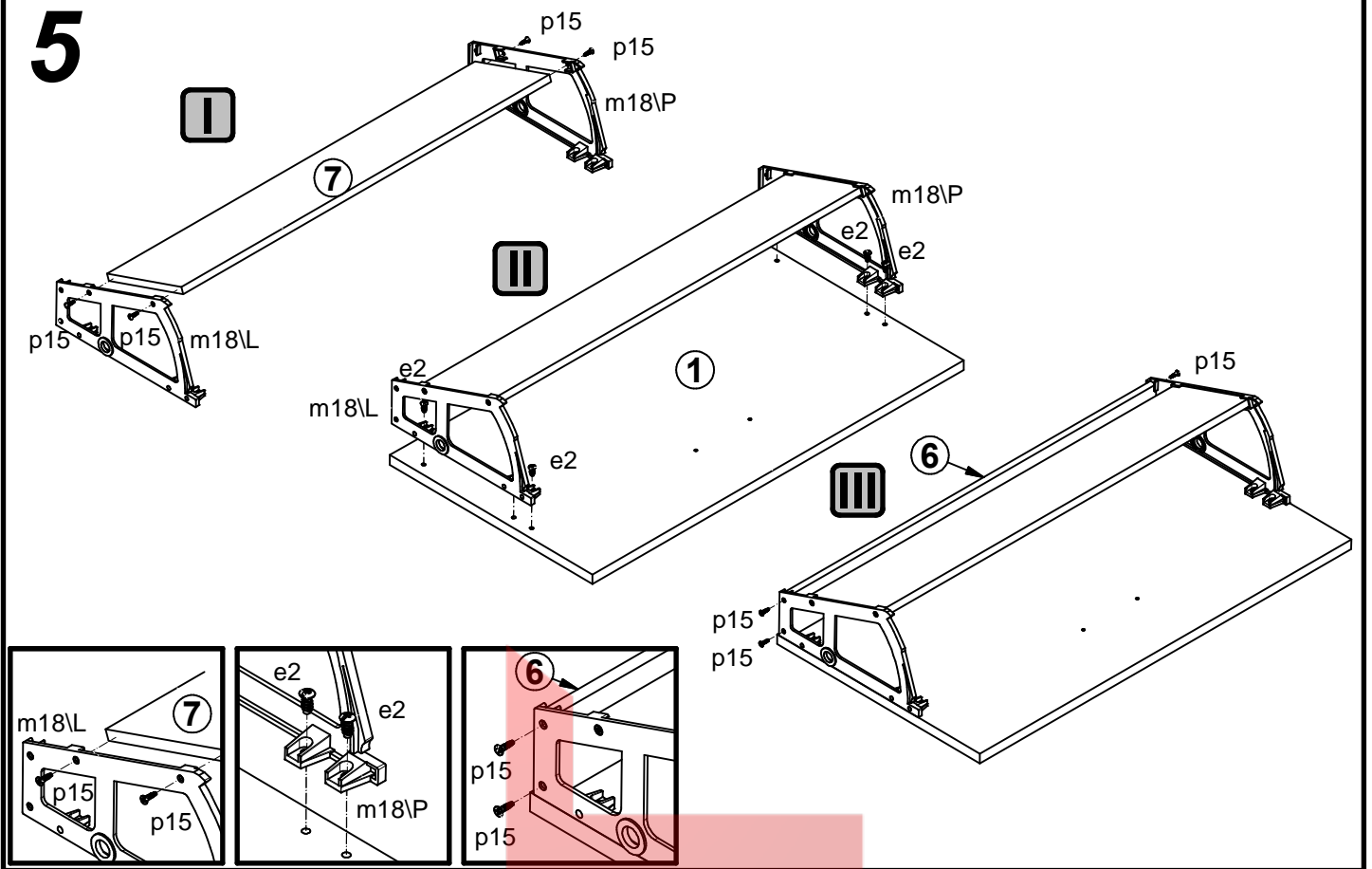
# 3



# 4



# 5



# 6

