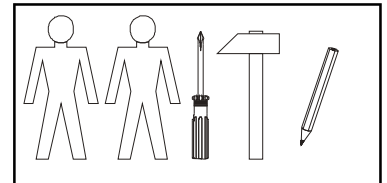
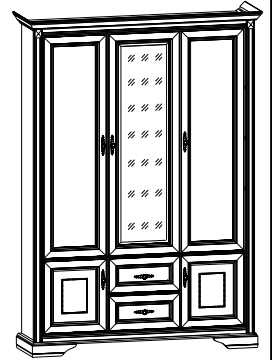
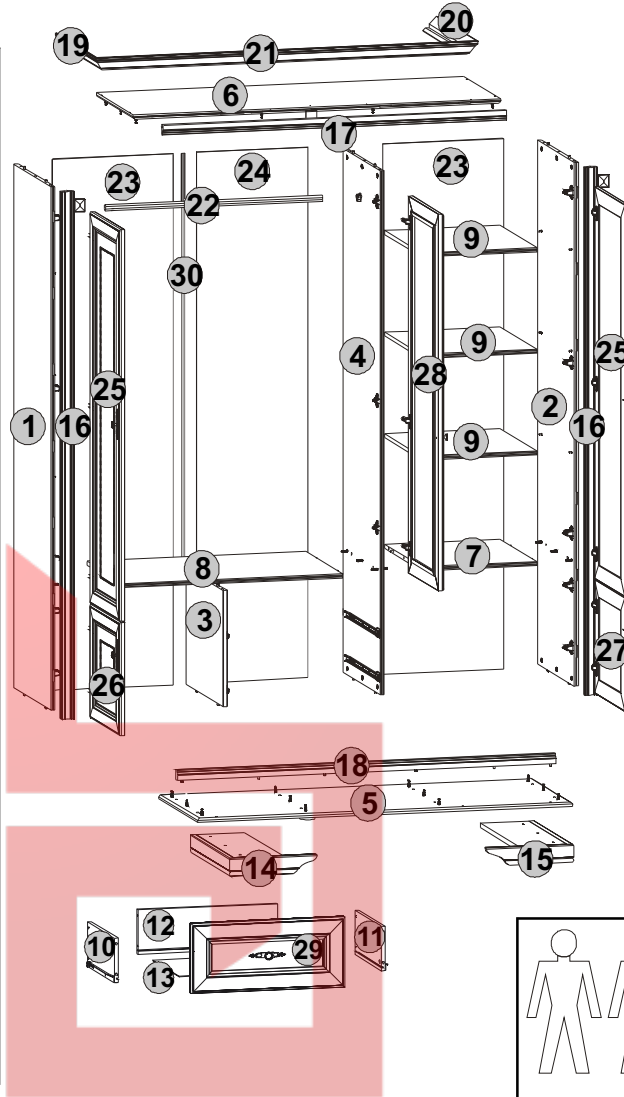


# STYLIUS

# NSZF 3d2s

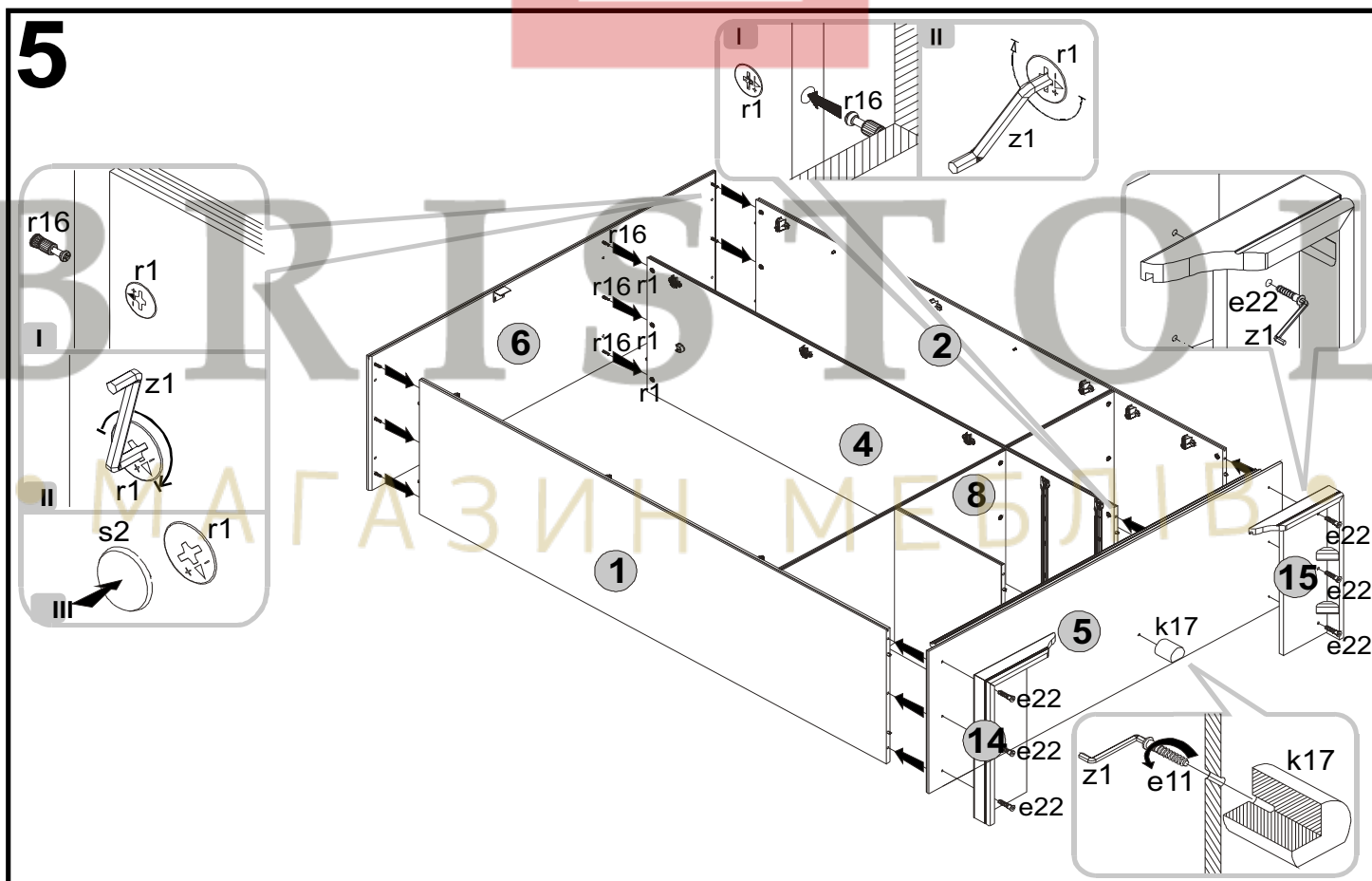
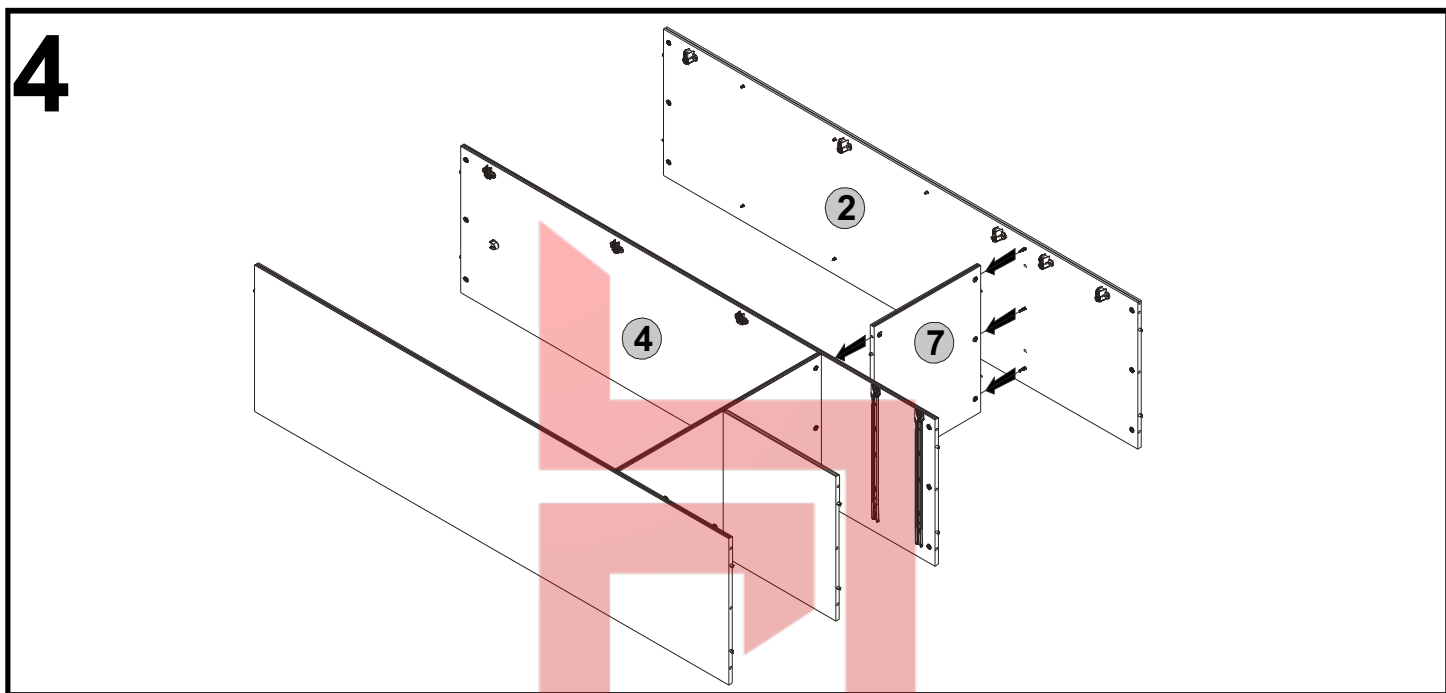
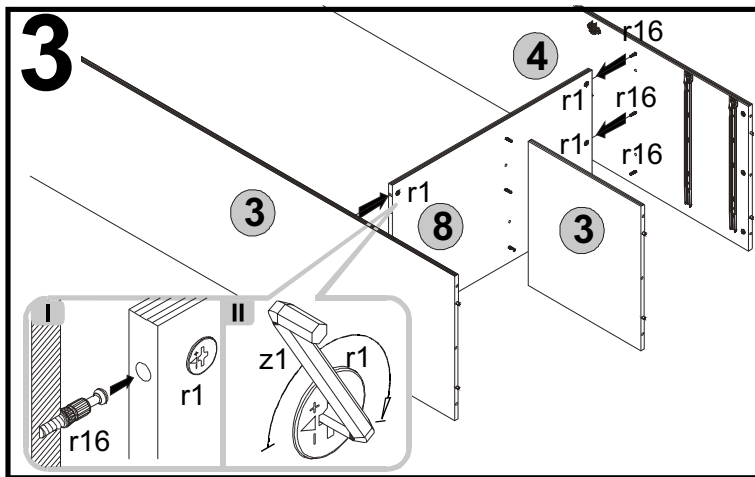
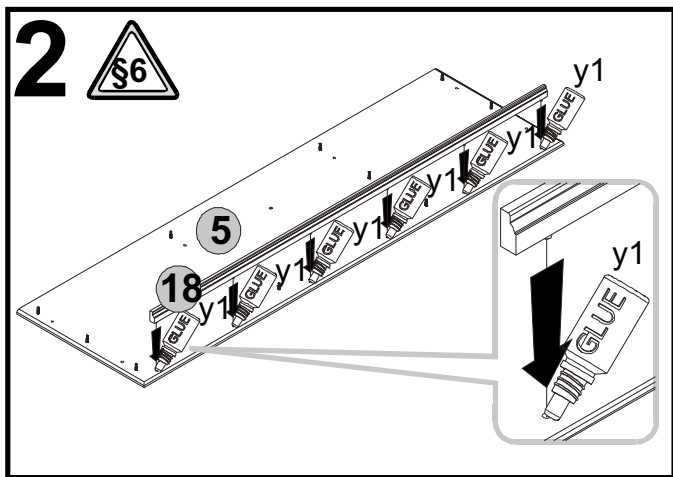


A	C	B	D
1	2053x550	S21-170	1/9
2	2053x550	S21-128	1/9
3	479x550	S21-172	2/9
4	2053x550	S21-171	1/9
5	1472x583	S21-261	3/9
6	1444x550	S21-262	3/9
7	461x550	S21-321	2/9
8	903x550	S21-340	2/9
9	461x549	S21-322	2/9
10	500x140	S21-511	2/9
11	500x140	S21-512	2/9
12	377x140	S21-513	2/9
13	388x498	S21-961	2/9
14	350x587	S21-2587	5/9
15	350x587	S21-2588	5/9
16	2069x50	S21-588	4/9
17	1346x40	S21-3503	4/9
18	1346x40	S21-3502	4/9
19	609x79	S21-1576	4/9
20	609x79	S21-1577	4/9
21	1519x79	S21-3501	4/9
22	898x30	dr-898	2/9
23	2080x482	S21-925	1/9
24	2080x441	S21-960	1/9
25	1536x446	S21-030	9/9
26	445x446	S21-028	8/9
27	445x446	S21-029	8/9
28	1536x446	S21-060	7/9
29	446x221	S21-020	6/9
30	1553x14	Lh-1553	1/9

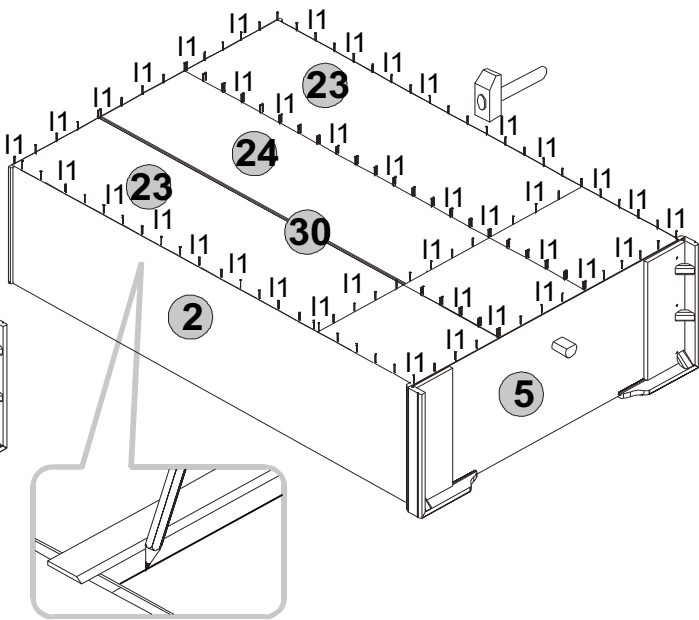
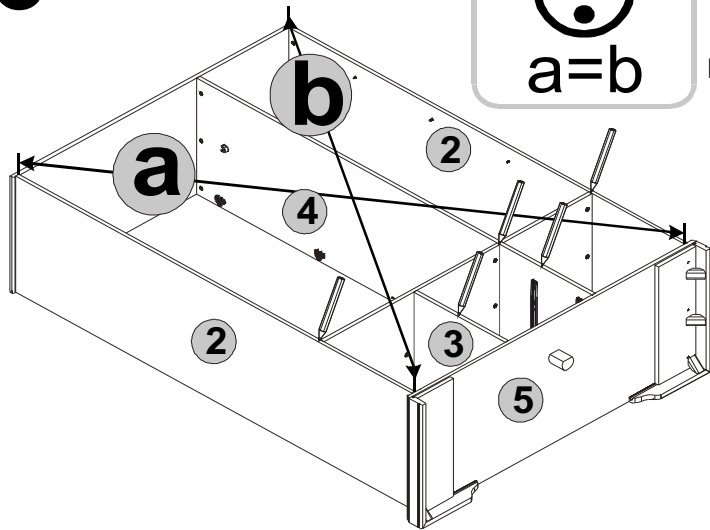
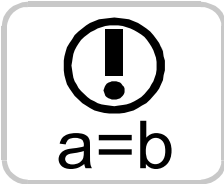


10x  a43	3x  a44	10x  b18	3x  b19	7x  c84'	7x  c84''	12x  d1
26x  e2	12x  e3	1x  e11	12x  e19	6x  e22	30x  f1	18x  f11
8x  f25	5x  j6	2x  j29	150x  l1	2x  l21	1x  k17	2x  n1
1x  n25	2x  n40	5x  n54	2x  p1	4x  p20	2x  p27	5x  p35
5x  p38	4x  p46	26x  p51	36x  r1	8x  r15	44x  r16	8x  s2
2x  w26 <sup>DR</sup>	2x  w26 <sup>CR</sup>	2x  w26 <sup>DL</sup>	2x  w26 <sup>CL</sup>	1x  y1	1x  z1	

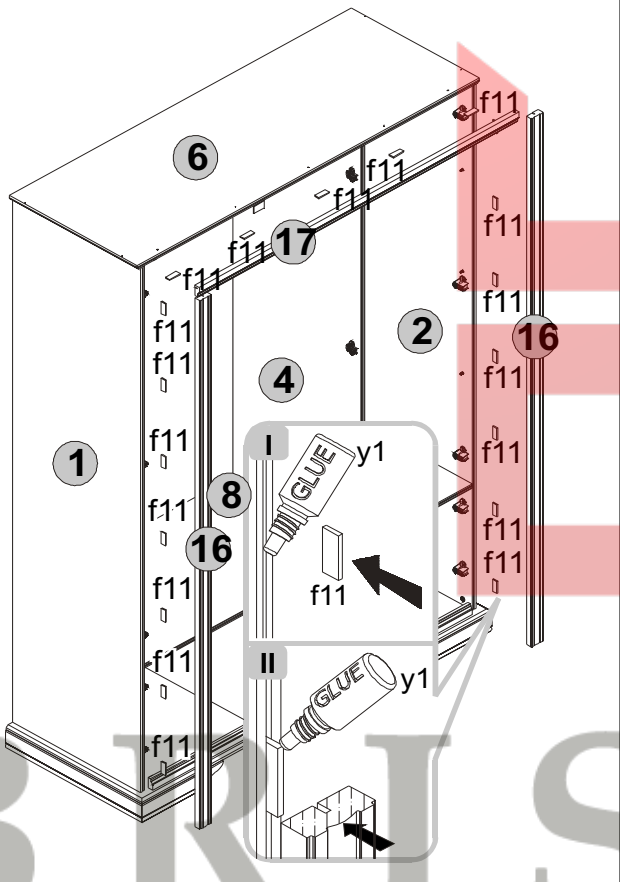




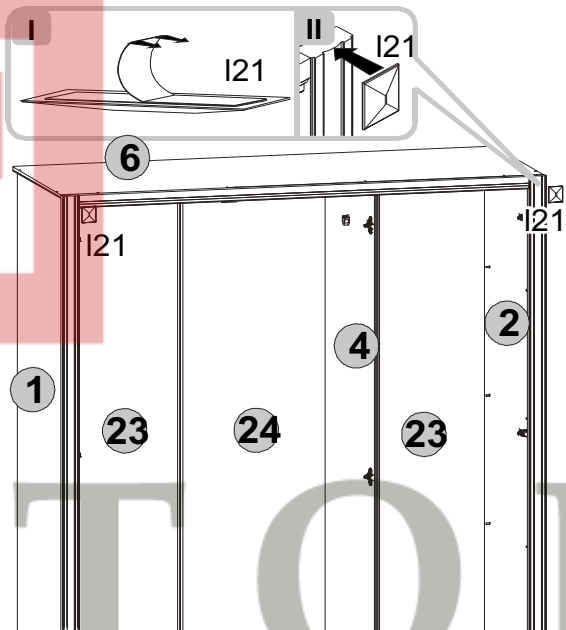
6



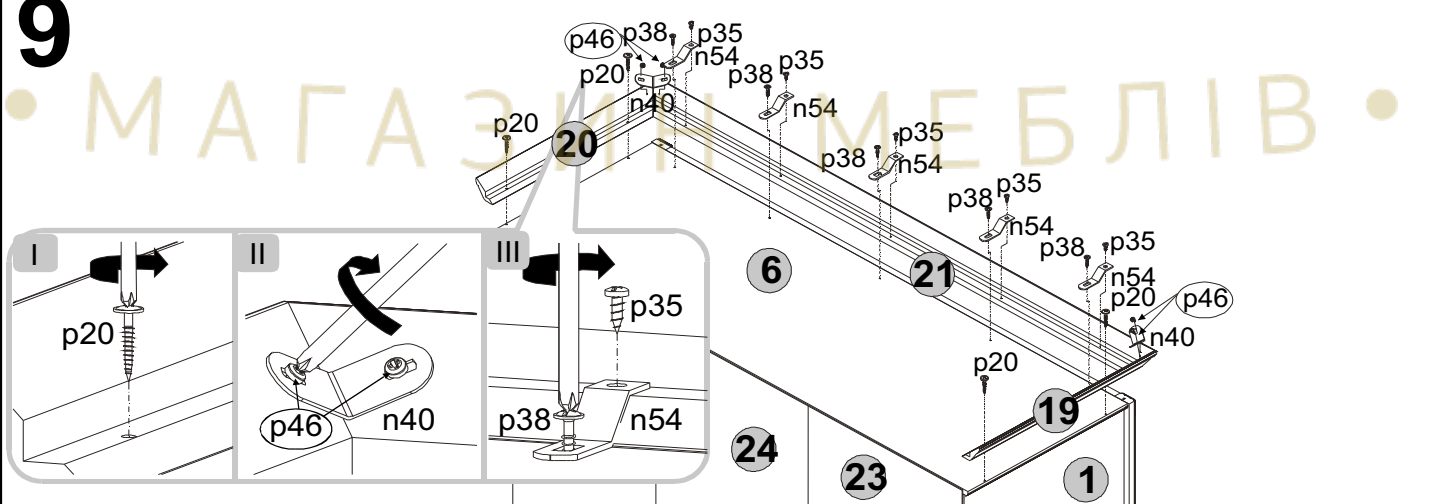
7



8

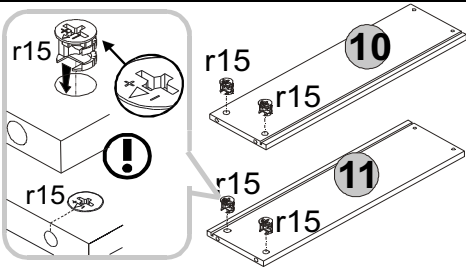


9

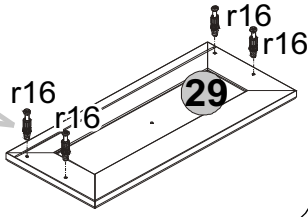
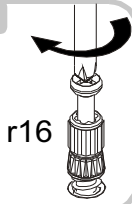


# 10

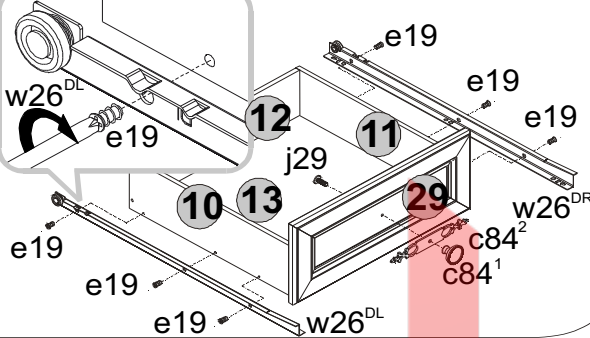
## I



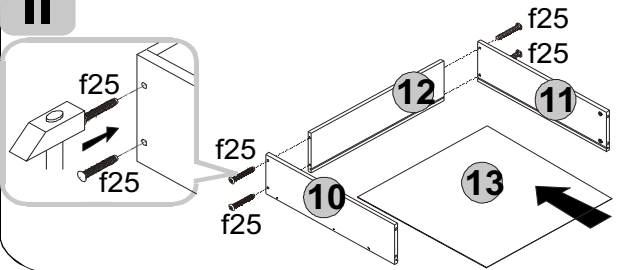
## II



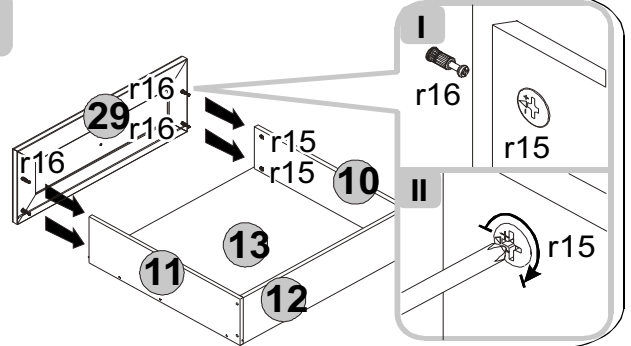
## IV



## II



## III



# 11

