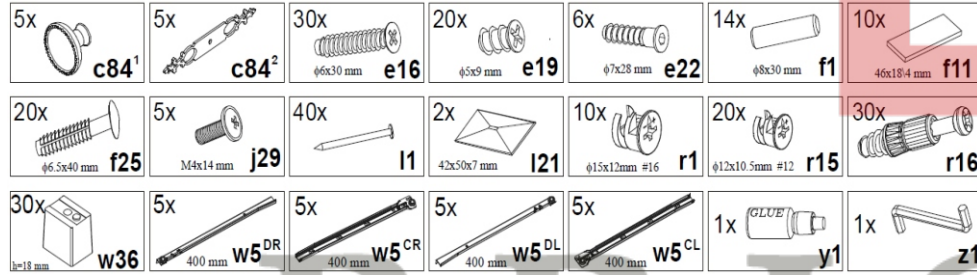
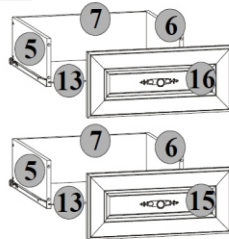
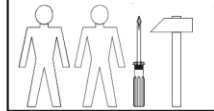
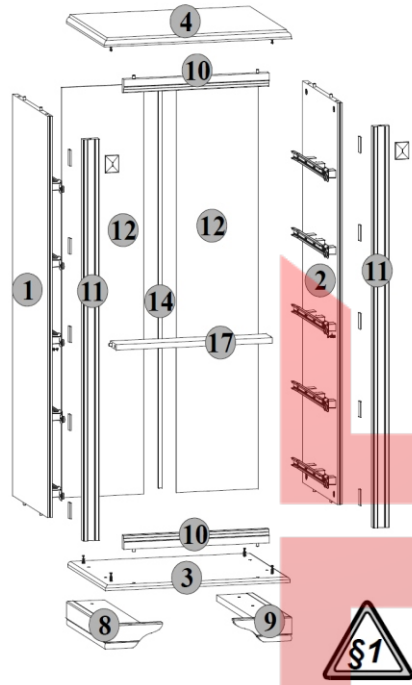


STYLIUS

NKOM 5s

A B C D

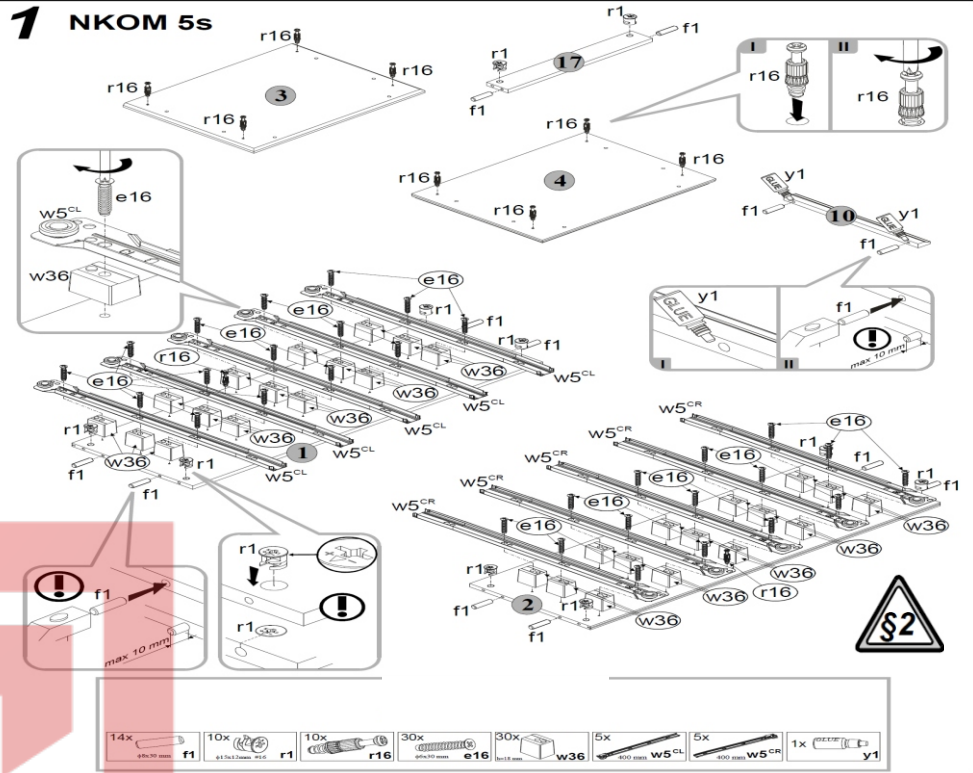
1	1172x405	S21-106 A	1/5
2	1172x405	S21-107 A	1/5
3	573x438	S21-210	2/5
4	581x438	S21-211	2/5
5	400x140	S21-501	1/5
6	400x140	S21-502	1/5
7	399x140	S21-506	1/5
8	180x442	S21-2571	4/5
9	180x442	S21-2572	4/5
10	450x40	S21-574	3/5
11	1172x50	S21-577	3/5
12	1198x254	S21-910	1/5
13	410x398	S21-914	1/5
14	1170x14	lh-1170	1/5
15	446x221	S21-012	5/5
16	446x191	S21-016	5/5
17	484x70	S21-416	1/5



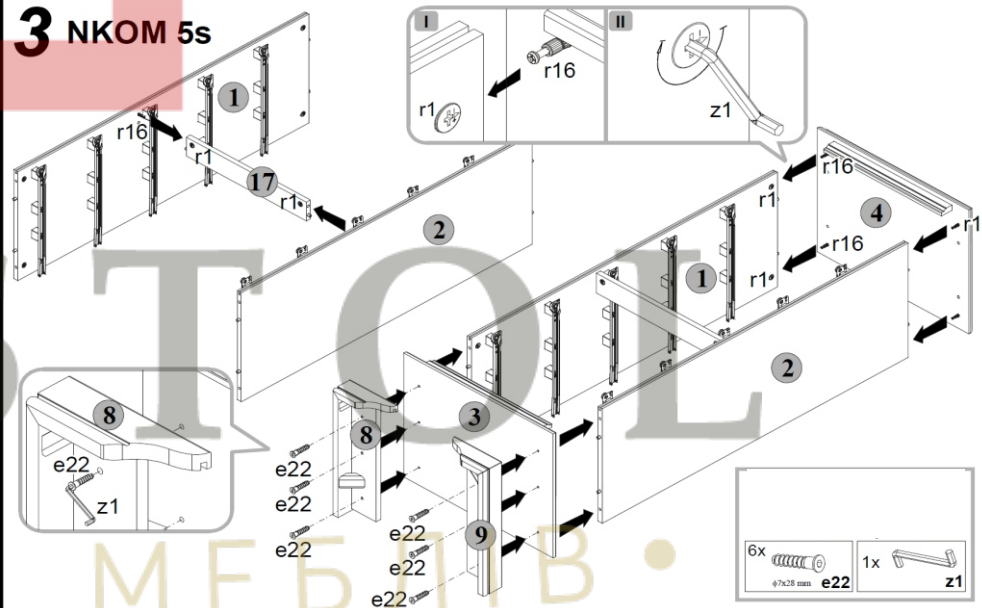
2 NKOM 5s



1 NKOM 5s

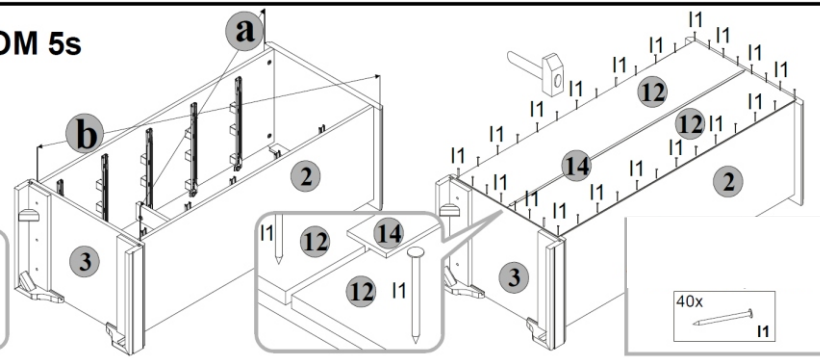


3 NKOM 5s



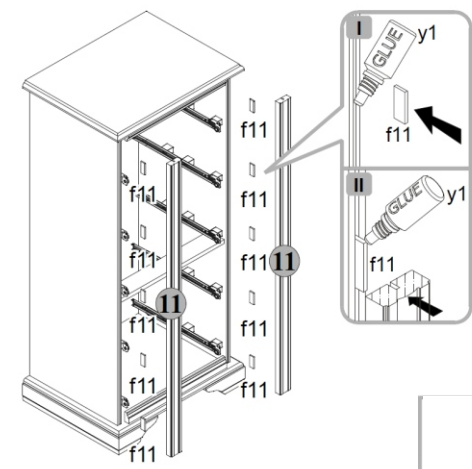
4 NKOM 5s

!
a=b



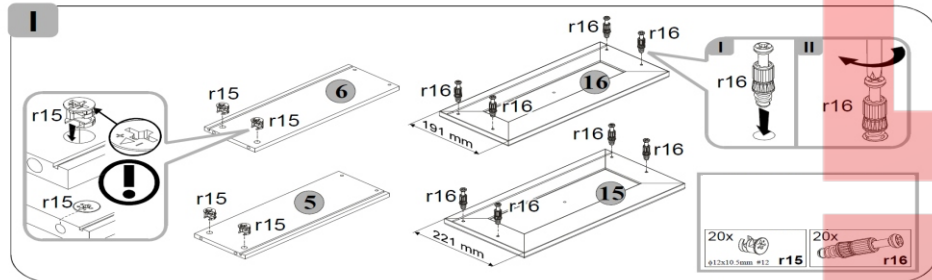
40x
l1

6 NKOM 5s

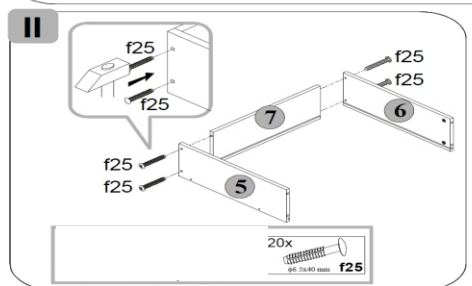


10x
40x184 mm f11
1x
GLUE y1

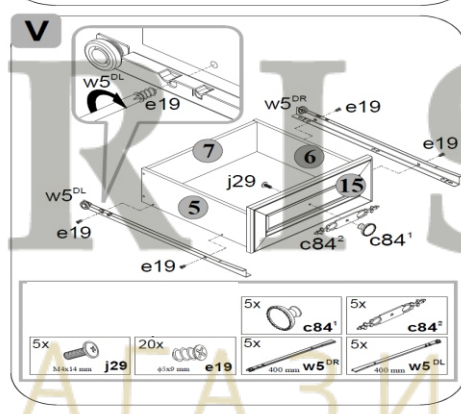
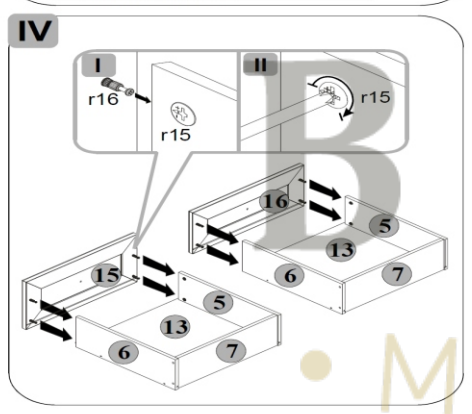
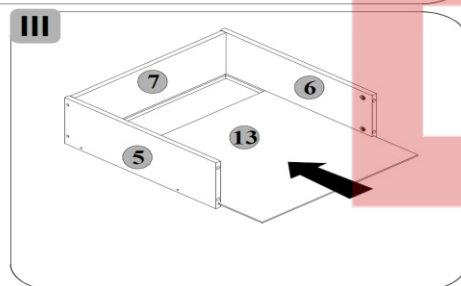
5 NKOM 5s



20x
Ø12x19.5mm r15
20x
r16



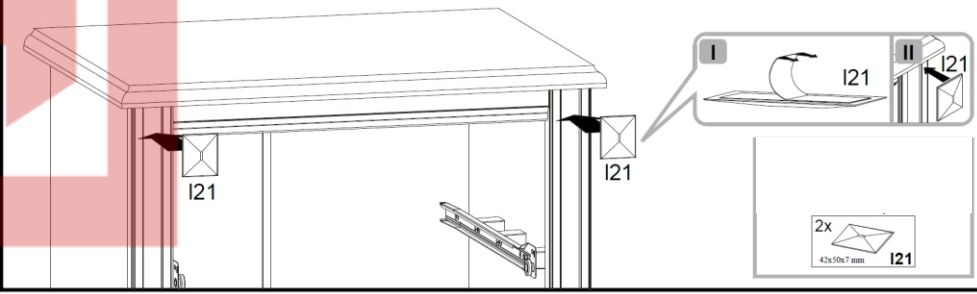
20x
Ø5.5x40 mm f25



5x
M6x14 mm j29
20x
Ø5x9 mm e19
5x
c84'
5x
c84'
5x
400 mm W5^{DR}
5x
400 mm W5^{DL}

7 NKOM 5s

§9



2x
42x50x7 mm I21

8 NKOM 5s

